



US00D577376S

(12) **United States Design Patent**
Rodriguez

(10) **Patent No.:** **US D577,376 S**

(45) **Date of Patent:** **** Sep. 23, 2008**

(54) **MANUAL ENVELOPE SEALER**
(75) Inventor: **Humberto Rodriguez**, Wabash, IN (US)
(73) Assignee: **Martin Yale Industries, Inc.**, Wabash, ID (US)
(**) Term: **14 Years**
(21) Appl. No.: **29/303,620**
(22) Filed: **Feb. 13, 2008**

(51) **LOC (8) Cl.** **15-99**
(52) **U.S. Cl.** **D15/146**
(58) **Field of Classification Search** D15/145,
D15/146; D18/50, 51, 53, 55, 99; 53/373.2,
53/374.8, 374.9, 390, 405, 432-434, 510-512,
53/DIG. 2; 156/441.5, 442, 442.1, 442.2,
156/442.3, 497, 578, 583.4, 583.91
See application file for complete search history.

(56) **References Cited**

U.S. PATENT DOCUMENTS

426,728	A	4/1890	Maret	
556,942	A	3/1896	Talbot	
743,667	A	11/1903	Strong	
799,304	A	11/1905	Cox	
900,791	A	10/1908	Stanley	
943,318	A	12/1909	Roth	
1,044,182	A	11/1912	Humphrey	
1,633,698	A *	6/1927	Davis	118/209
1,767,908	A	6/1930	Zuckerman, Jr.	
5,022,953	A *	6/1991	Fassman et al.	156/441.5

5,209,806	A *	5/1993	Hibberd	156/441.5
5,466,327	A	11/1995	Staniszewski	
D375,966	S *	11/1996	Bradshaw	D15/146
6,035,915	A *	3/2000	Garinger	156/484
6,406,591	B1	6/2002	Beckstrom et al.	
6,893,534	B2 *	5/2005	Coret et al.	156/441.5
7,131,251	B2 *	11/2006	Huang	53/512
2003/0136337	A1 *	7/2003	Gregoire et al.	118/300
2006/0011303	A1	1/2006	Ludtke	

* cited by examiner

Primary Examiner—Sandra Snapp

Assistant Examiner—Patricia Palasik

(74) *Attorney, Agent, or Firm*—Woodard, Emhardt, Moriarty, McNett & Henry LLP

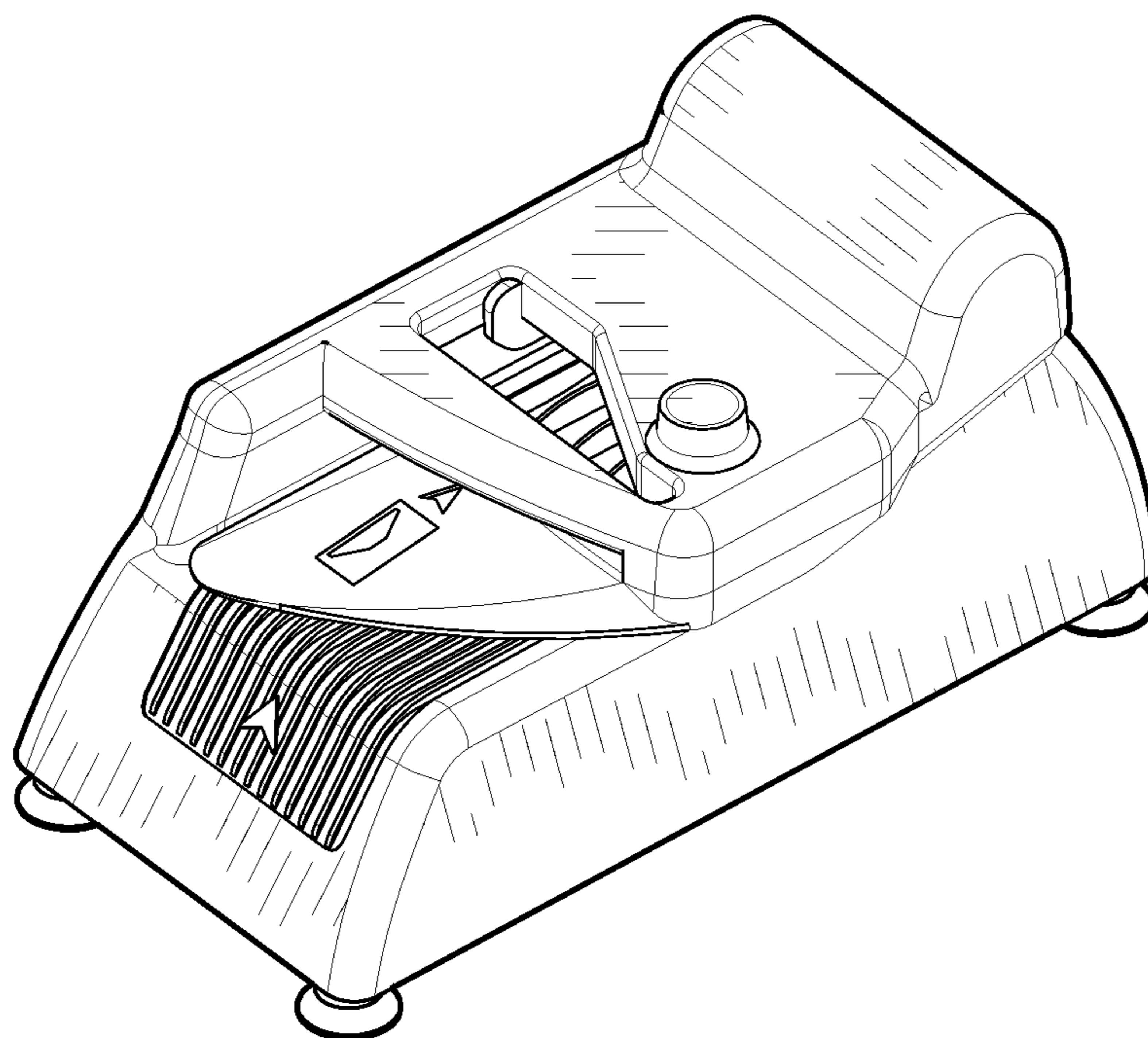
(57) **CLAIM**

The ornamental design for a manual envelope sealer, as shown and described.

DESCRIPTION

FIG. 1 is a perspective view of the manual envelope sealer. FIG. 2 is a front view of the manual envelope sealer of FIG. 1. FIG. 3 is a rear view of the manual envelope sealer of FIG. 1. FIG. 4 is a top view of the manual envelope sealer of FIG. 1. FIG. 5 is a view of the right side of the manual envelope sealer of FIG. 1; and, FIG. 6 is a view of the left side of the manual envelope sealer of FIG. 1.

1 Claim, 3 Drawing Sheets



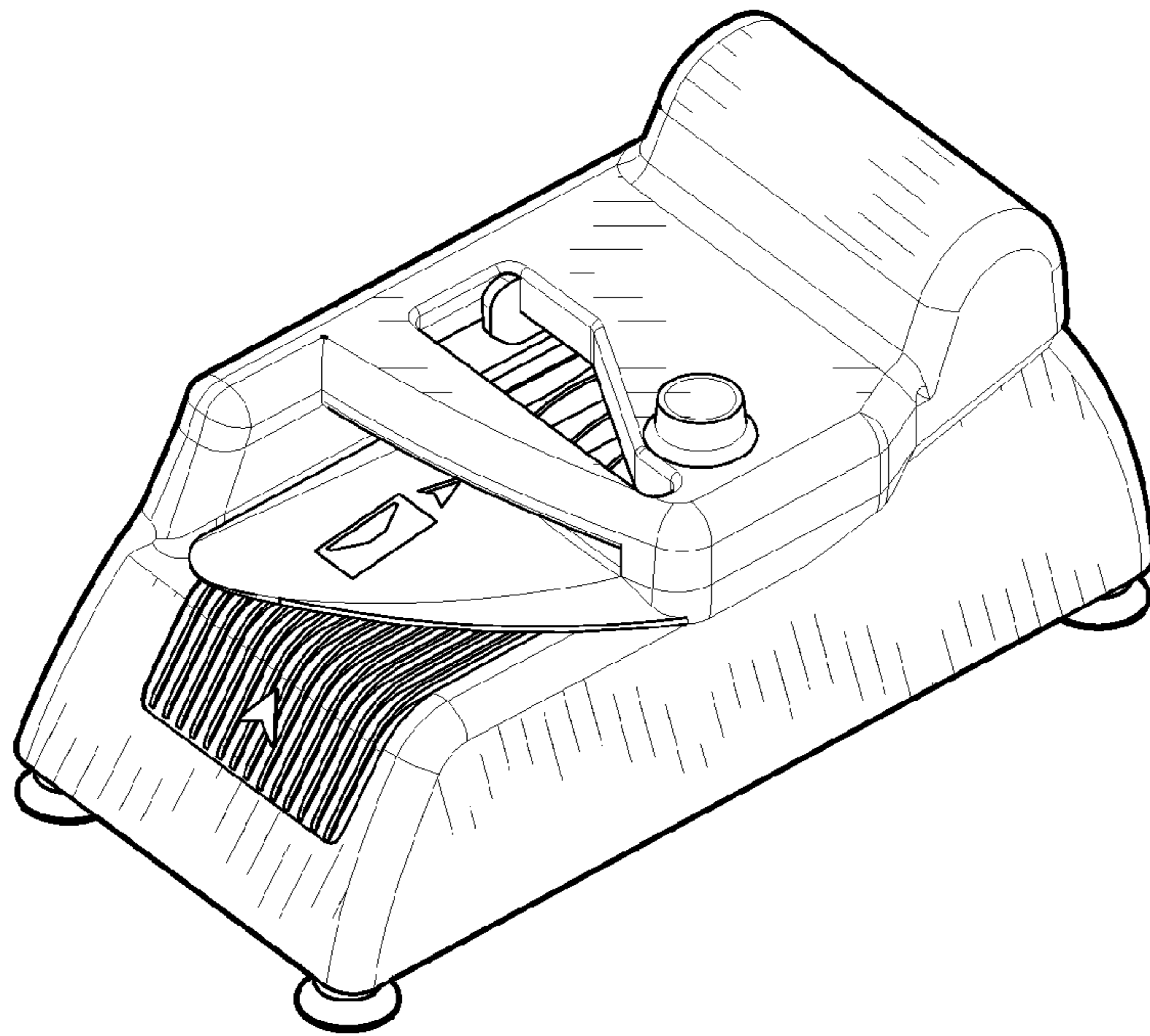


Fig. 1

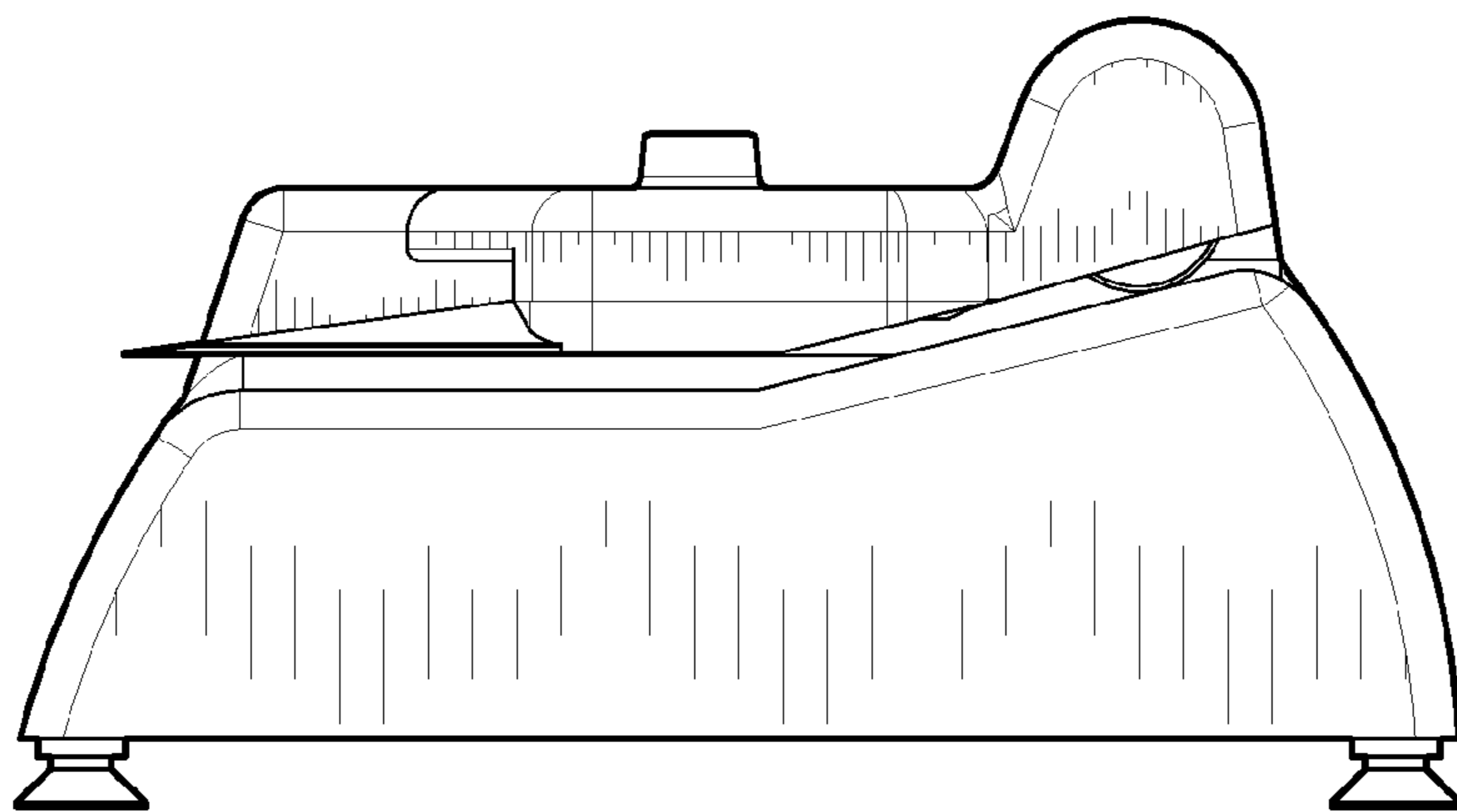


Fig. 2

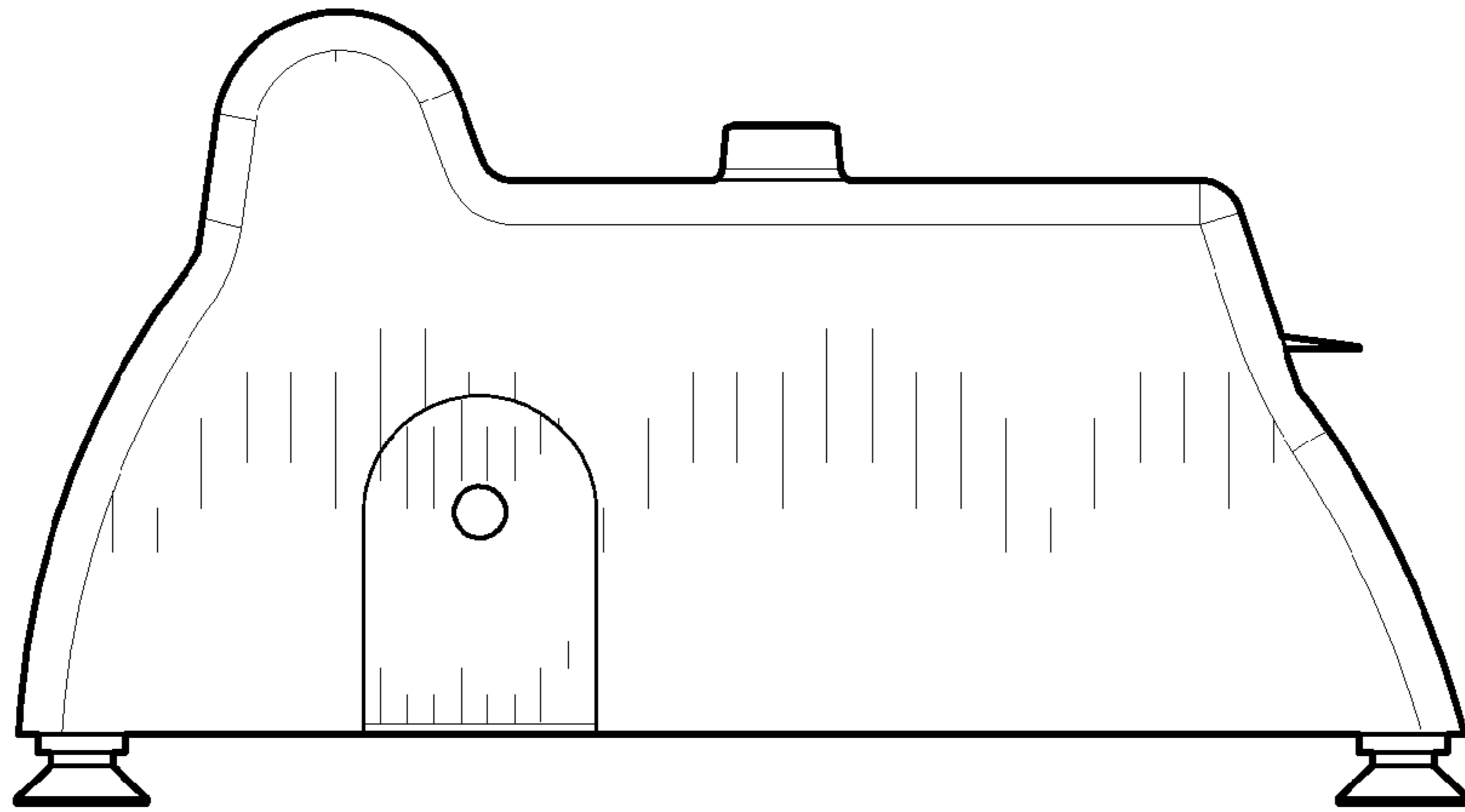


Fig. 3

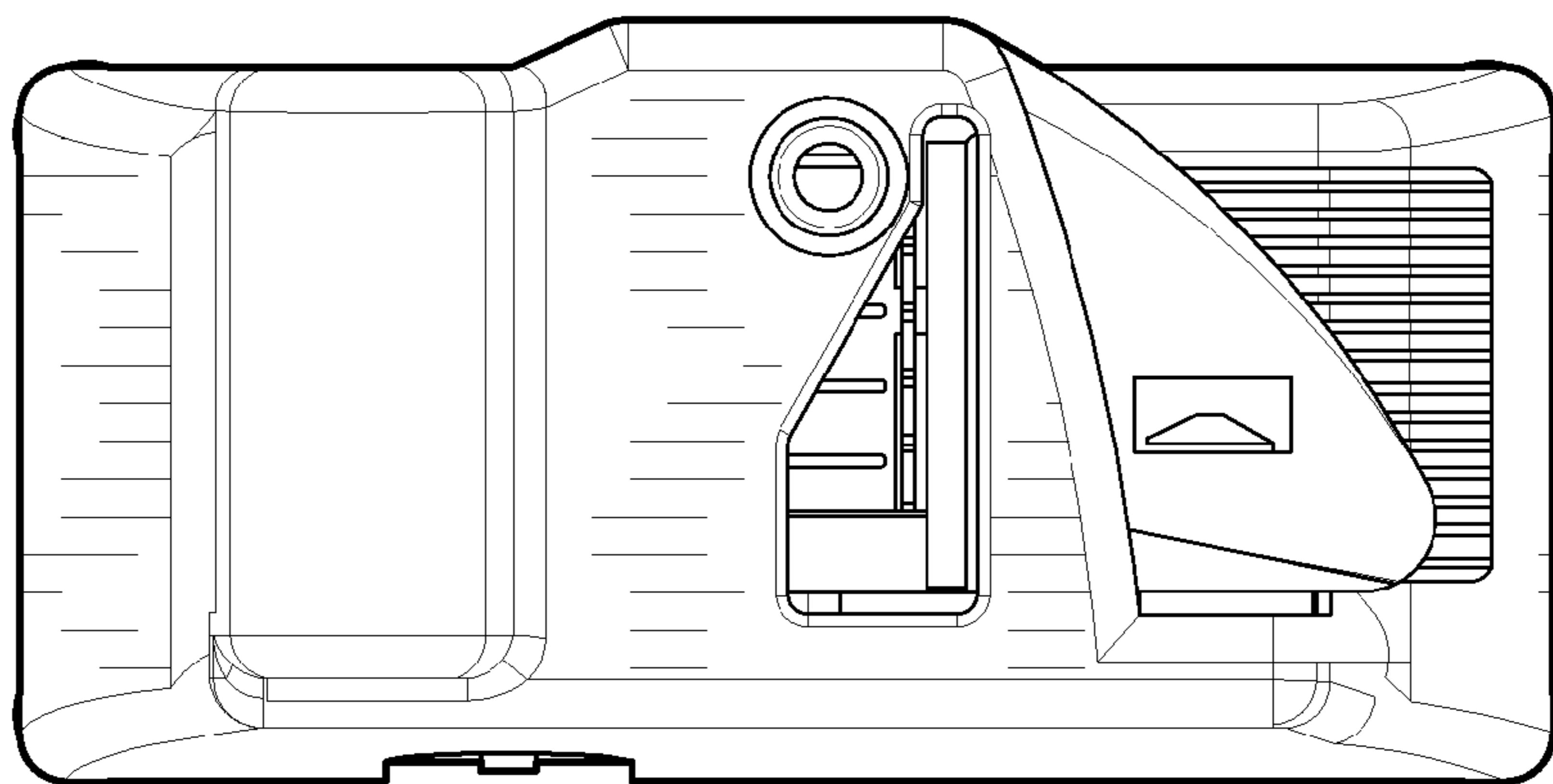


Fig. 4

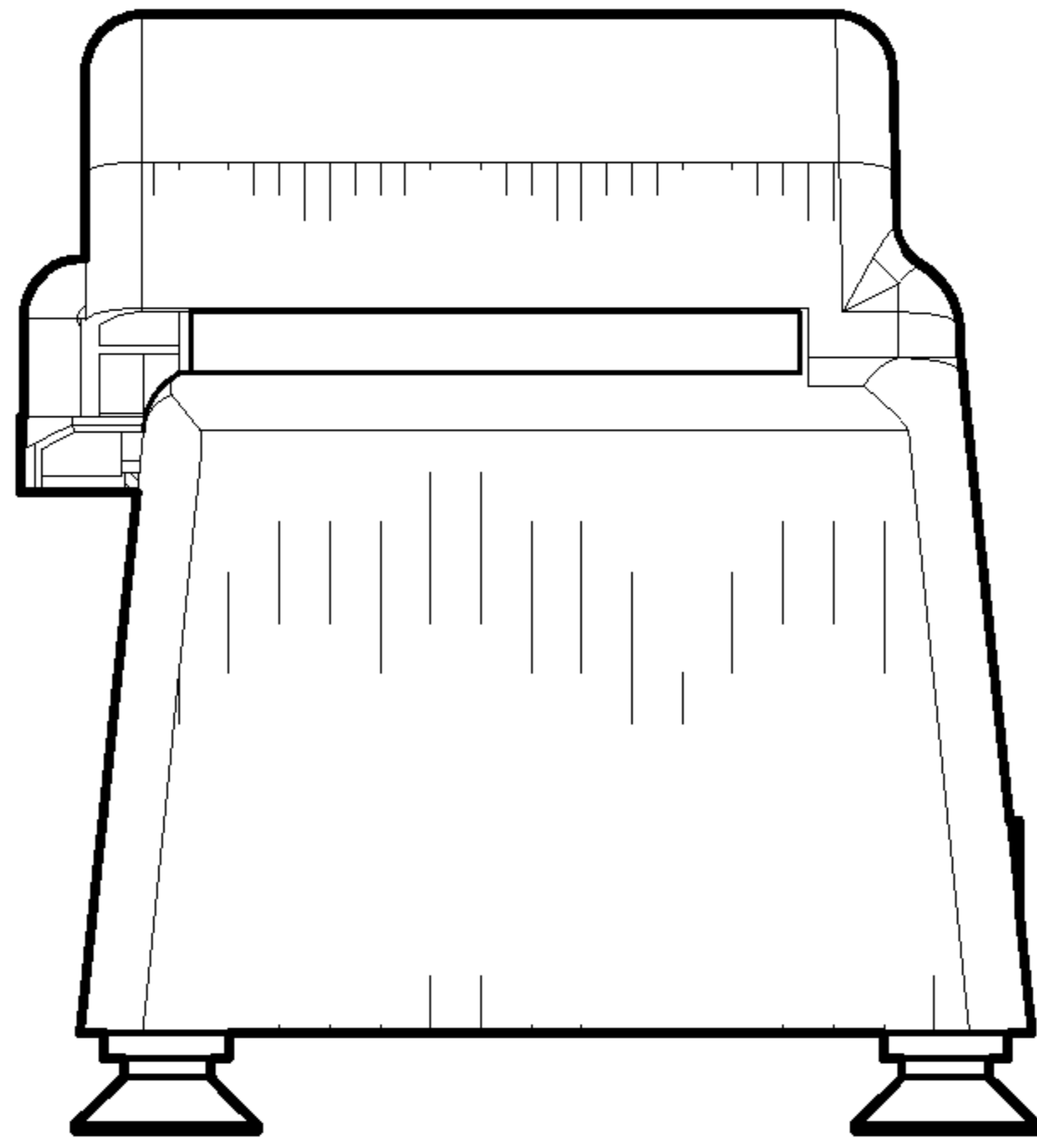


Fig. 5

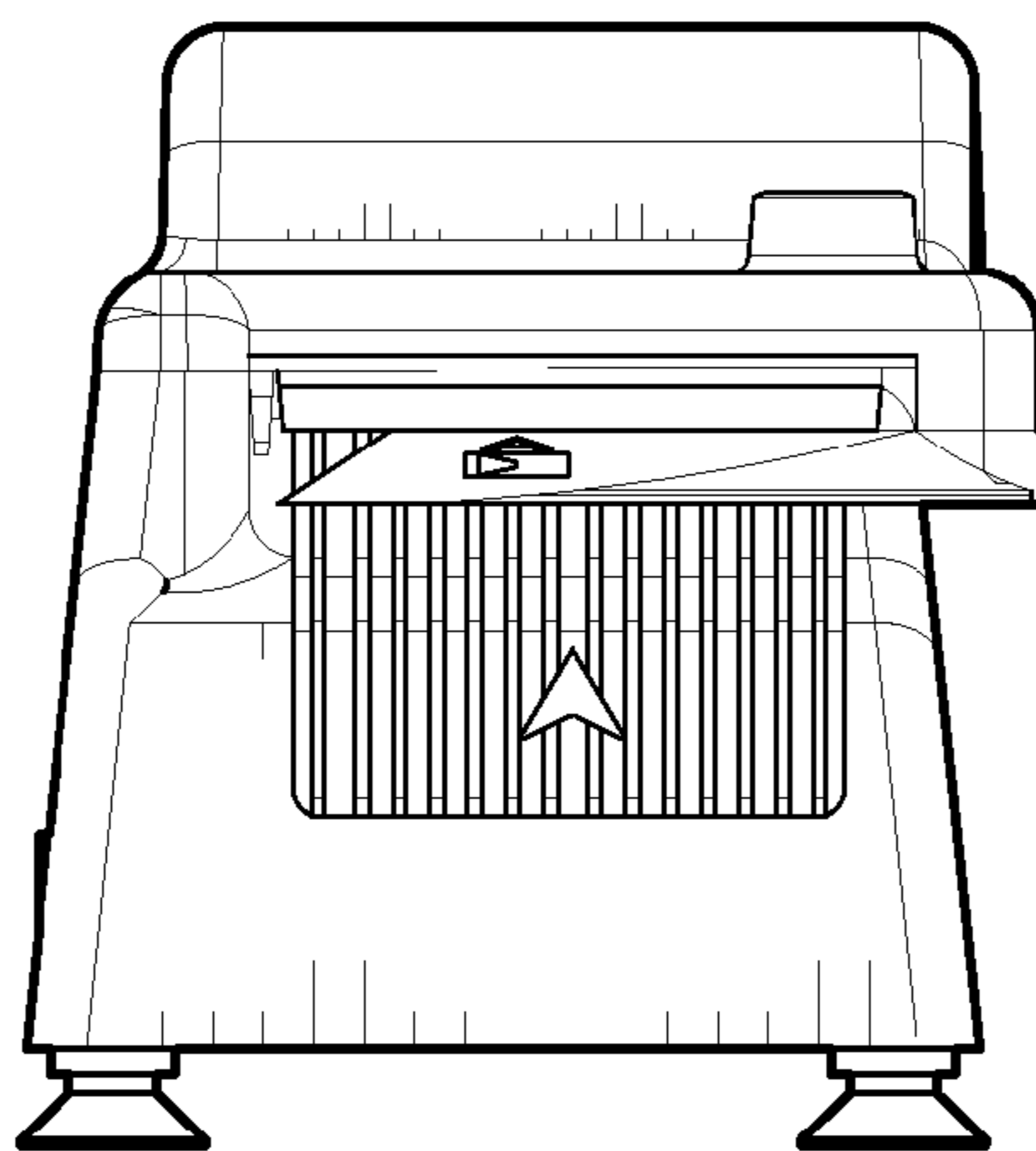


Fig. 6

UNITED STATES PATENT AND TRADEMARK OFFICE
CERTIFICATE OF CORRECTION

PATENT NO. : Des. 577,376 S
APPLICATION NO. : 29/303620
DATED : September 23, 2008
INVENTOR(S) : Humberto Rodriguez

Page 1 of 1

It is certified that error appears in the above-identified patent and that said Letters Patent is hereby corrected as shown below:

Title Page
(73) Assignee the word "ID" should be replaced with --IN-- to reflect the correct state of the Assignee

Signed and Sealed this

Eleventh Day of November, 2008

A handwritten signature in black ink that reads "Jon W. Dudas". The signature is written in a cursive style with a large, looped initial "J".

JON W. DUDAS
Director of the United States Patent and Trademark Office