



US00D577374S

(12) **United States Design Patent**
Leasure et al.

(10) **Patent No.:** **US D577,374 S**
(45) **Date of Patent:** **** Sep. 23, 2008**

(54) **TABLE SAW**

(75) Inventors: **Jeremy D. Leasure**, Jackson, TN (US);
Gregory S. Ganus, Jackson, TN (US);
Jeffrey D. Weston, Jackson, TN (US)

(73) Assignee: **Black & Decker Inc.**, Newark, DE (US)

(**) Term: **14 Years**

(21) Appl. No.: **29/252,514**

(22) Filed: **Jan. 24, 2006**

(51) **LOC (8) Cl.** **15-09**

(52) **U.S. Cl.** **D15/133**

(58) **Field of Classification Search** D15/133;
83/432, 435, 438, 468, 468.3, 468.7, 471.2,
83/477, 477.2, 478; 144/253.1, 286.1, 286.5,
144/287

See application file for complete search history.

(56) **References Cited**

U.S. PATENT DOCUMENTS

D159,129	S *	6/1950	Andrews	D15/133
2,744,549	A *	5/1956	Johnson	83/438
2,850,054	A *	9/1958	Eschenburg	D15/133
D309,147	S *	7/1990	Kronthaler	D15/133
D309,466	S *	7/1990	Wodli	D15/133
5,148,933	A *	9/1992	Hewitt	83/477.2

6,418,829	B1 *	7/2002	Pilchowski	83/477.2
D469,789	S *	2/2003	Cooper et al.	D15/133
D479,538	S *	9/2003	Welsh et al.	D15/133
2004/0118261	A1 *	6/2004	Garcia et al.	83/477.2
2006/0201302	A1 *	9/2006	Schwaiger et al.	83/477.2
2007/0095185	A1 *	5/2007	Chang	83/478
2007/0175306	A1 *	8/2007	Gass et al.	83/477.2

* cited by examiner

Primary Examiner—Sandra Snapp
Assistant Examiner—Patricia Palasik
(74) *Attorney, Agent, or Firm*—Adan Ayala

(57) **CLAIM**

The ornamental design for a table saw, as shown and described.

DESCRIPTION

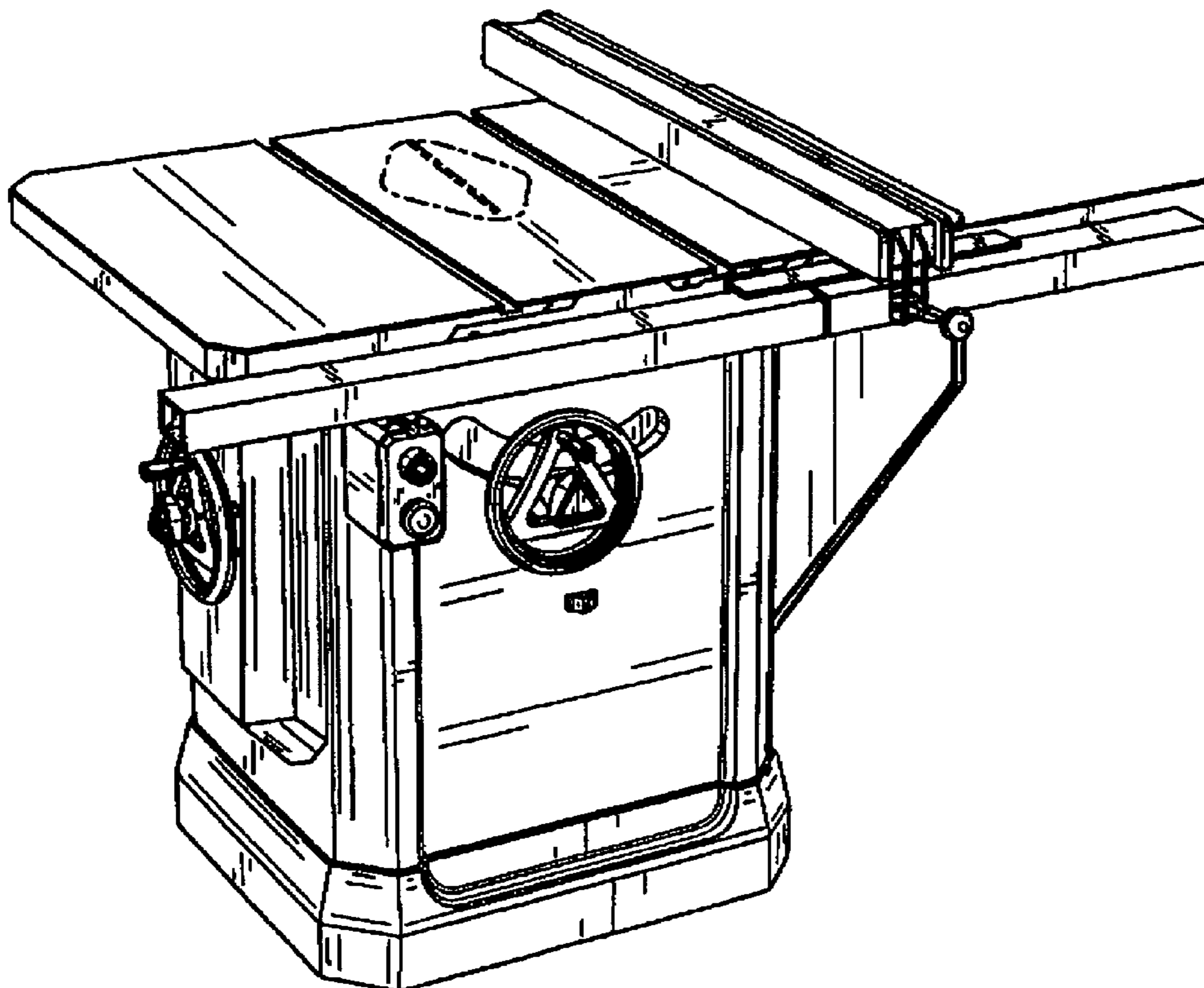
FIG. 1 is a perspective view of a first embodiment of a table saw according to the invention; and,

FIG. 2 is a perspective view of a second embodiment of a table saw according to the invention.

In the above drawings, any views not shown are not part of the design sought to be patented.

The broken line showing of the table saw is included for the purpose of illustrating portions of the table saw and forms no part of the claimed design.

1 Claim, 2 Drawing Sheets



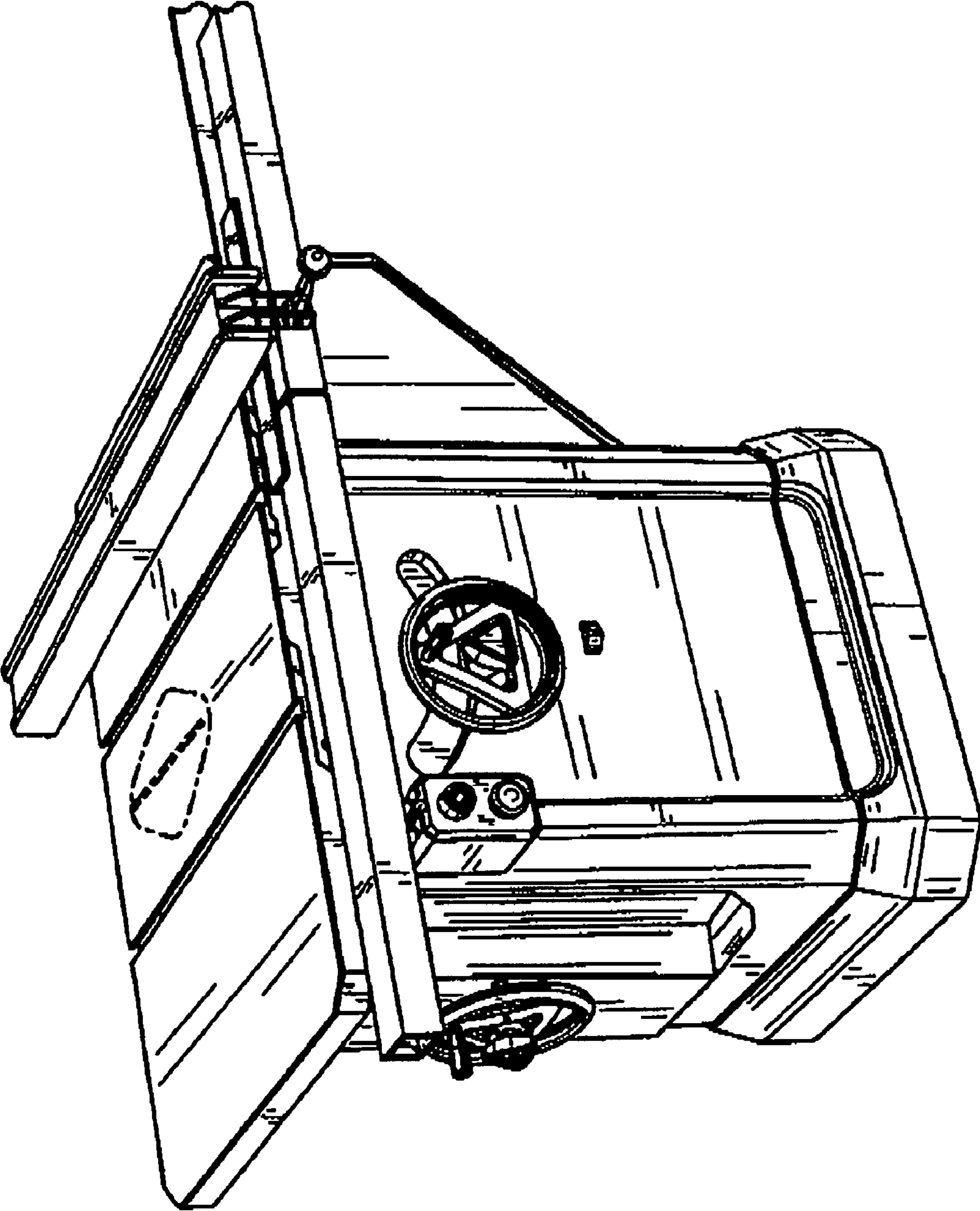


FIG. 1

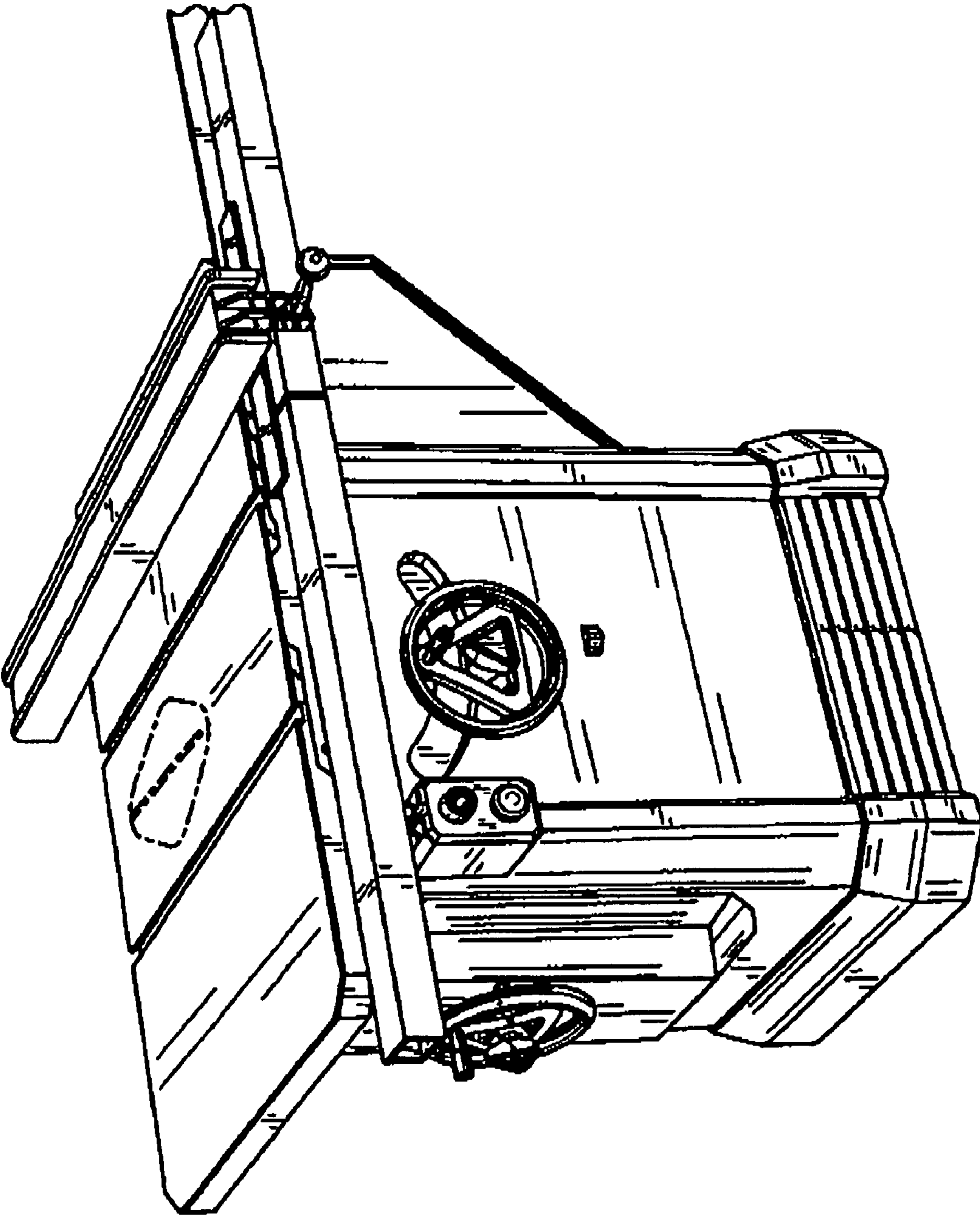


FIG. 2