



US00D577370S

(12) **United States Design Patent**  
**Fried**

(10) **Patent No.:** **US D577,370 S**

(45) **Date of Patent:** **\*\* Sep. 23, 2008**

(54) **MP3 PLAYER**

(76) **Inventor:** **Lance Fried**, 3530 Mystic Pointe Dr.,  
1009, Aventura, FL (US) 33180

(\*\*) **Term:** **14 Years**

(21) **Appl. No.:** **29/297,477**

(22) **Filed:** **Nov. 12, 2007**

(51) **LOC (8) Cl.** ..... **14-03**

(52) **U.S. Cl.** ..... **D14/496**

(58) **Field of Classification Search** ..... D14/496,  
D14/401, 435, 474, 483, 217, 137, 138, 160,  
D14/168; 345/156, 169, 173-179, 905; 715/727-729,  
715/864; 710/1, 5, 8; 713/1, 600; 455/11,  
455/1.7, 73, 344-347, 93, 95; 370/342-344;  
369/1, 2, 6, 12; 463/43-47; 173/148 B  
See application file for complete search history.

(56) **References Cited**

**U.S. PATENT DOCUMENTS**

4,083,481	A *	4/1978	Selinko	.....	224/670
D264,080	S *	4/1982	Iwata	.....	D14/191
4,456,797	A	6/1984	Olsen		
5,672,108	A *	9/1997	Lam et al.	.....	463/39
6,006,115	A	12/1999	Wingate		
6,325,507	B1	12/2001	Jannard		
6,473,630	B1	10/2002	Baranowski		
6,639,577	B2 *	10/2003	Eberhard	.....	345/102
6,717,737	B1	4/2004	Haglund		
6,729,726	B2	5/2004	Miller		
D511,781	S *	11/2005	Chan	.....	D14/496
D521,022	S *	5/2006	Chen	.....	D14/496
D538,821	S *	3/2007	Bender	.....	D14/496
D539,304	S *	3/2007	Lee	.....	D14/496
D540,815	S *	4/2007	Zhang	.....	D14/496
D541,290	S *	4/2007	Swanson et al.	.....	D14/455
2002/0016188	A1	2/2002	Kashiwamura		
2002/0039170	A1	4/2002	Jannard		
2002/0159023	A1	10/2002	Swab		
2002/0196953	A1	12/2002	Burke		
2003/0059071	A1	3/2003	Dunham		
2003/0067585	A1	4/2003	Miller		

2003/0068057	A1	4/2003	Miller
2004/0062411	A1	4/2004	Retchin
2004/0156012	A1	8/2004	Jannard
2004/0157649	A1	8/2004	Jannard
2004/0160571	A1	8/2004	Jannard
2005/0031147	A1	2/2005	Viala
2005/0046549	A1	3/2005	Hoyle
2006/0077777	A1	4/2006	Fried
2007/0036376	A1	2/2007	Fried
2007/0157457	A1	7/2007	Fried

\* cited by examiner

*Primary Examiner*—Prabhakar Deshmukh

(74) *Attorney, Agent, or Firm*—Stetina Brunda Garred & Brucker

(57) **CLAIM**

The ornamental design for an MP3 player, as shown and described.

**DESCRIPTION**

FIG. 1 is a perspective view of the MP3 player of the present invention showing my new design;

FIG. 2 is a top plan view thereof;

FIG. 3 is a side elevational view thereof;

FIG. 4 is a right end view thereof;

FIG. 5 is a left end view thereof;

FIG. 6 is a bottom plan view thereof;

FIG. 7 is a perspective view of a second embodiment of the MP3 player of the present invention showing my new design;

FIG. 8 is a top plan view thereof;

FIG. 9 is an elevational view thereof;

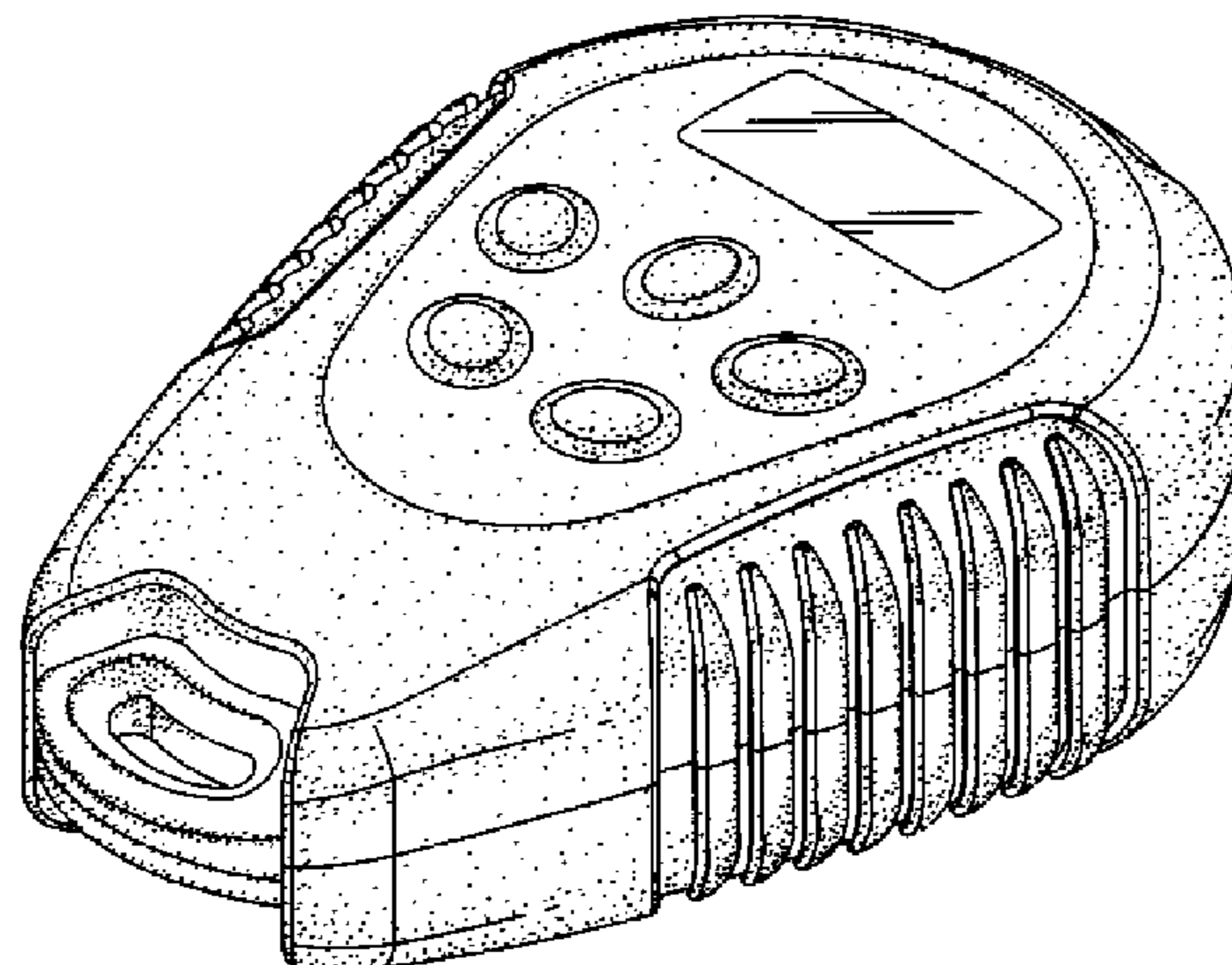
FIG. 10 is a right end view thereof;

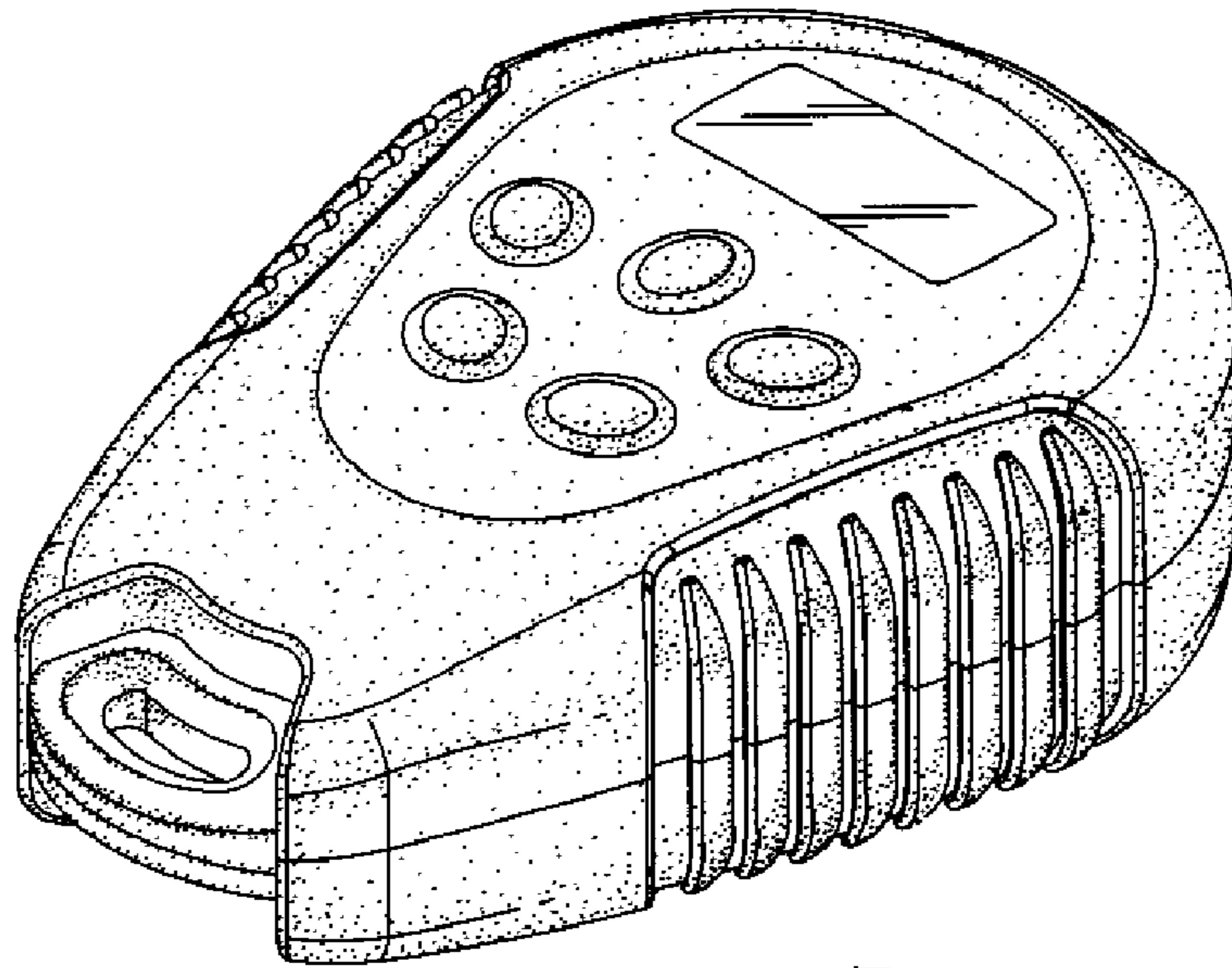
FIG. 11 is a left end view thereof; and,

FIG. 12 is a bottom plan view thereof.

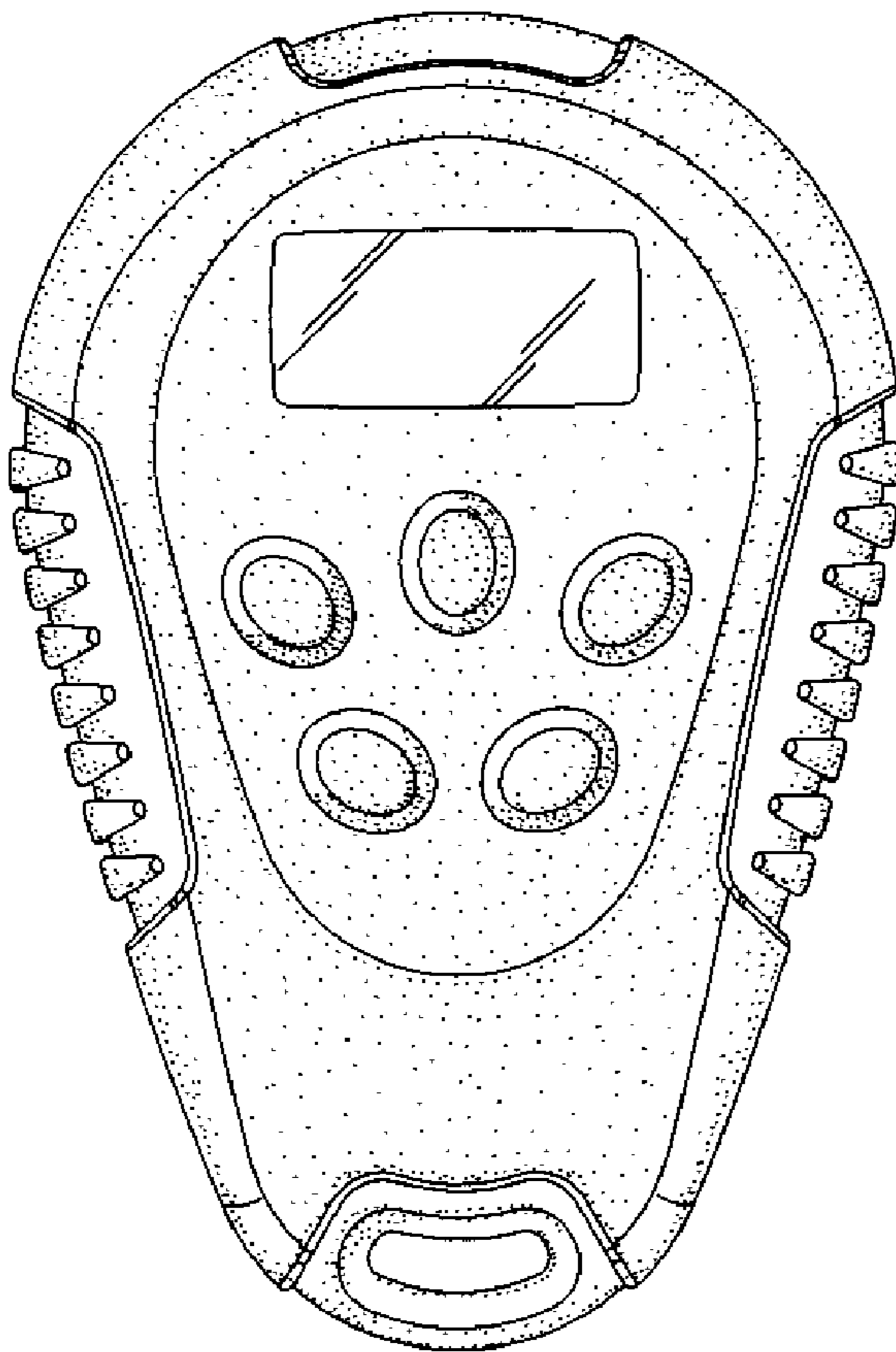
The broken lines are for illustration purpose only and form no part of the claimed design.

**1 Claim, 4 Drawing Sheets**

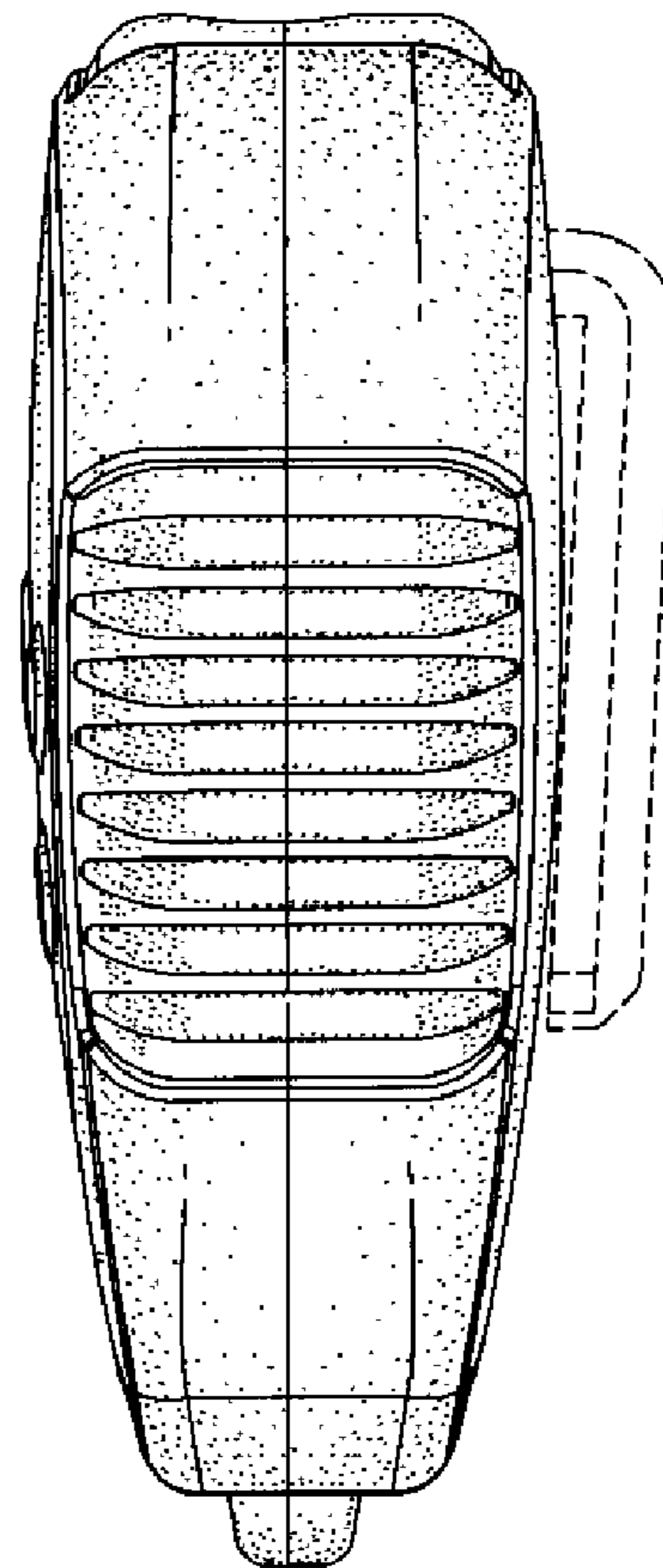




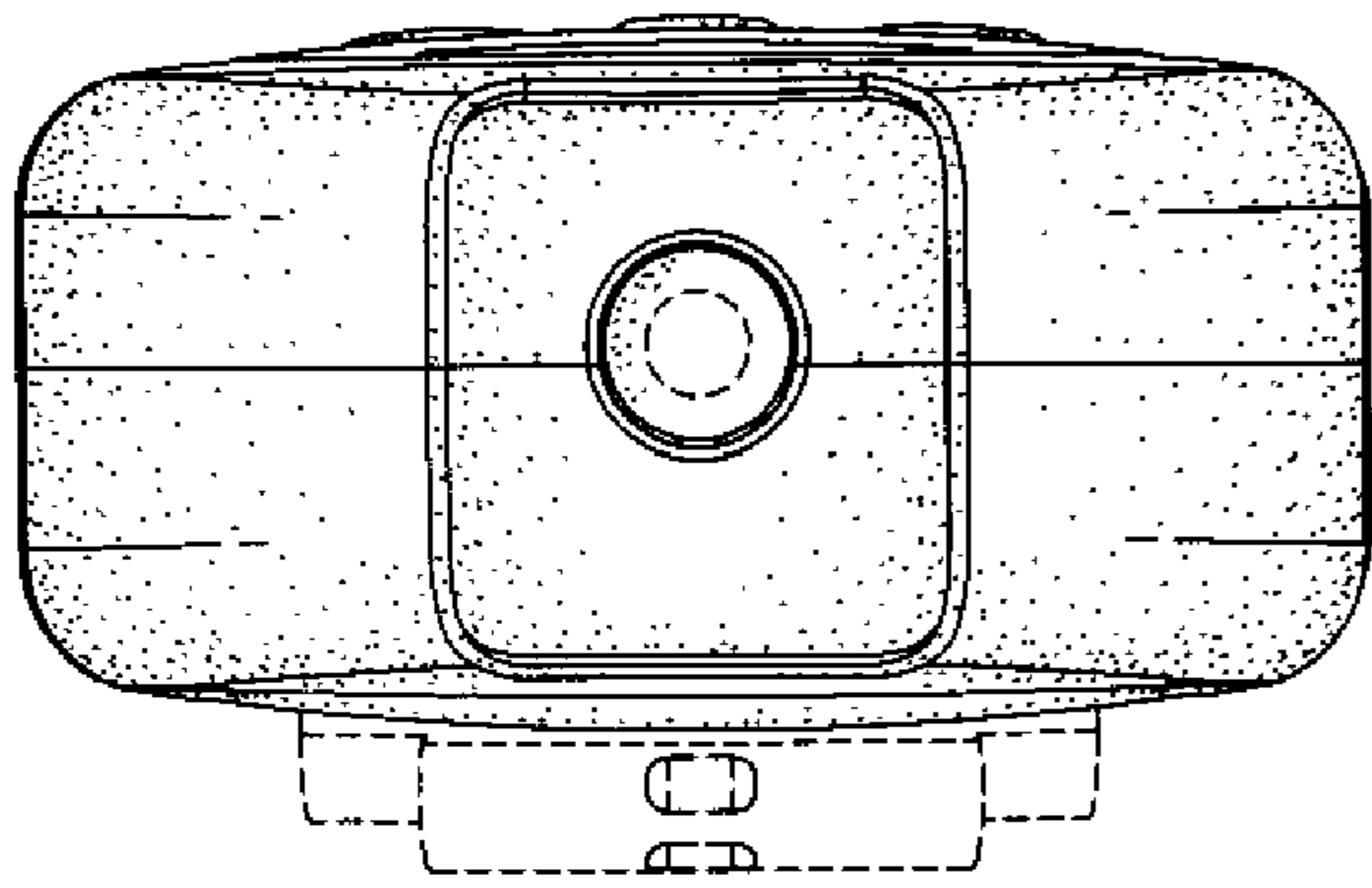
*Fig. 1*



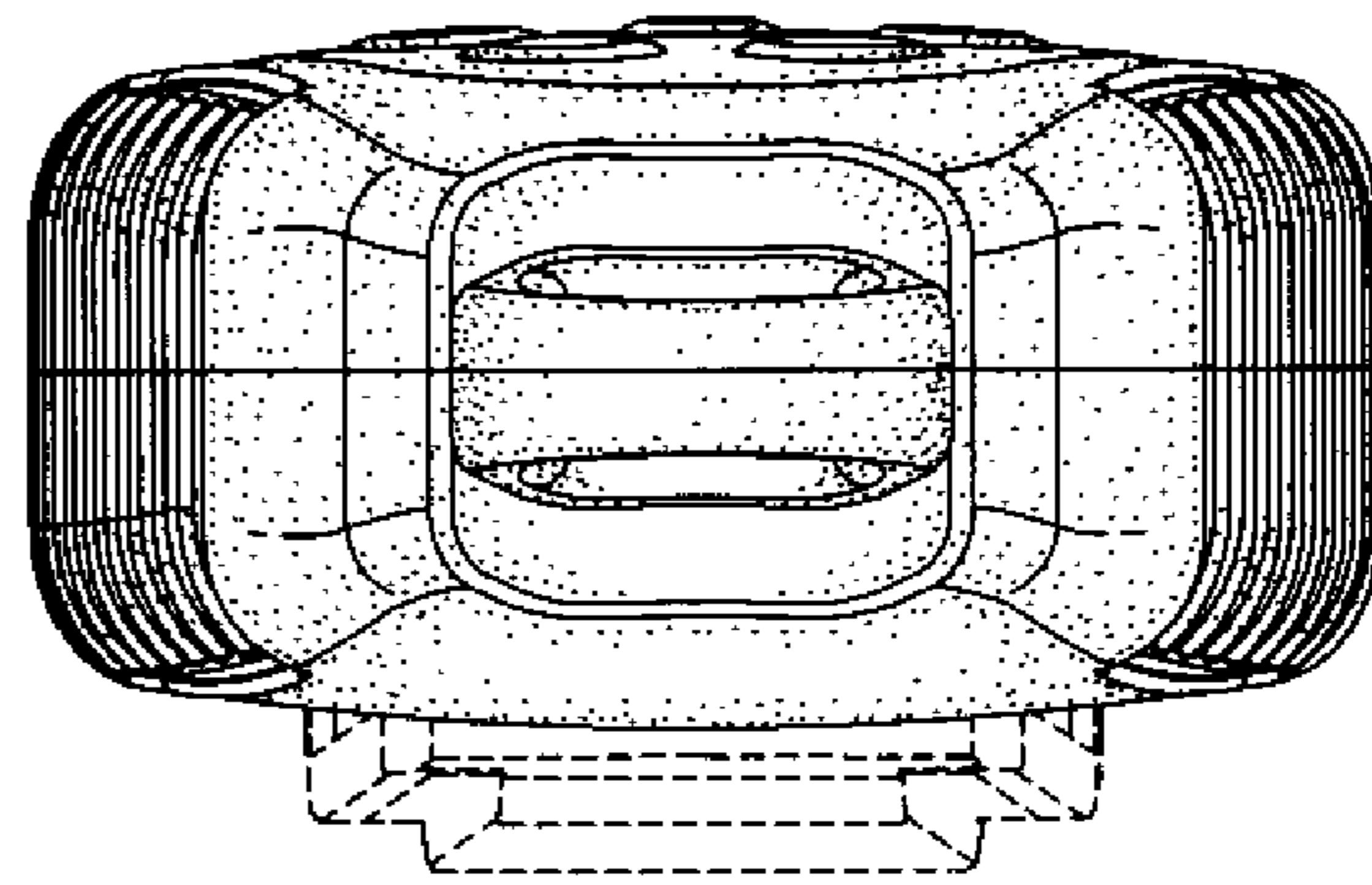
*Fig. 2*



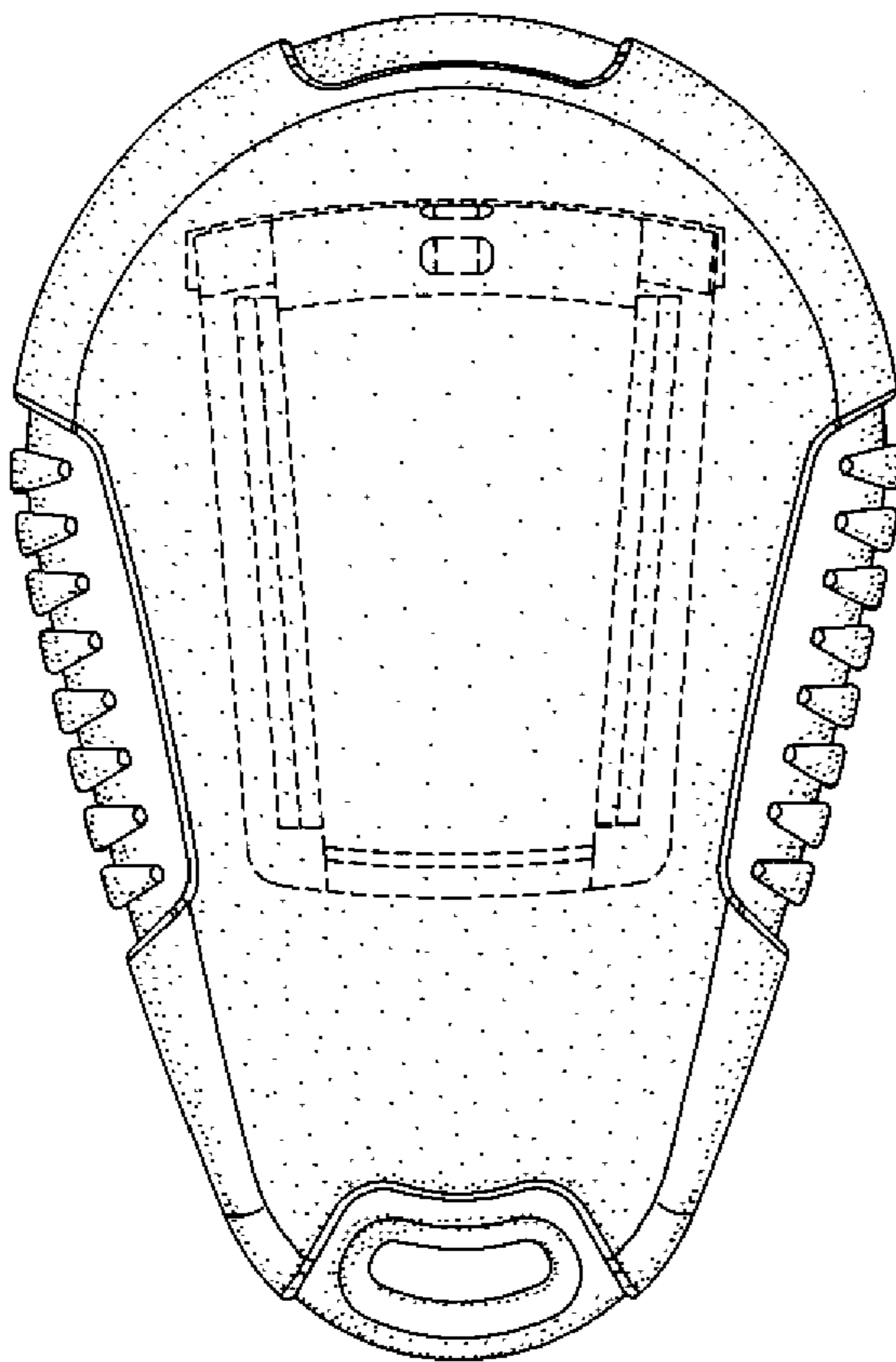
*Fig. 3*



*Fig. 4*

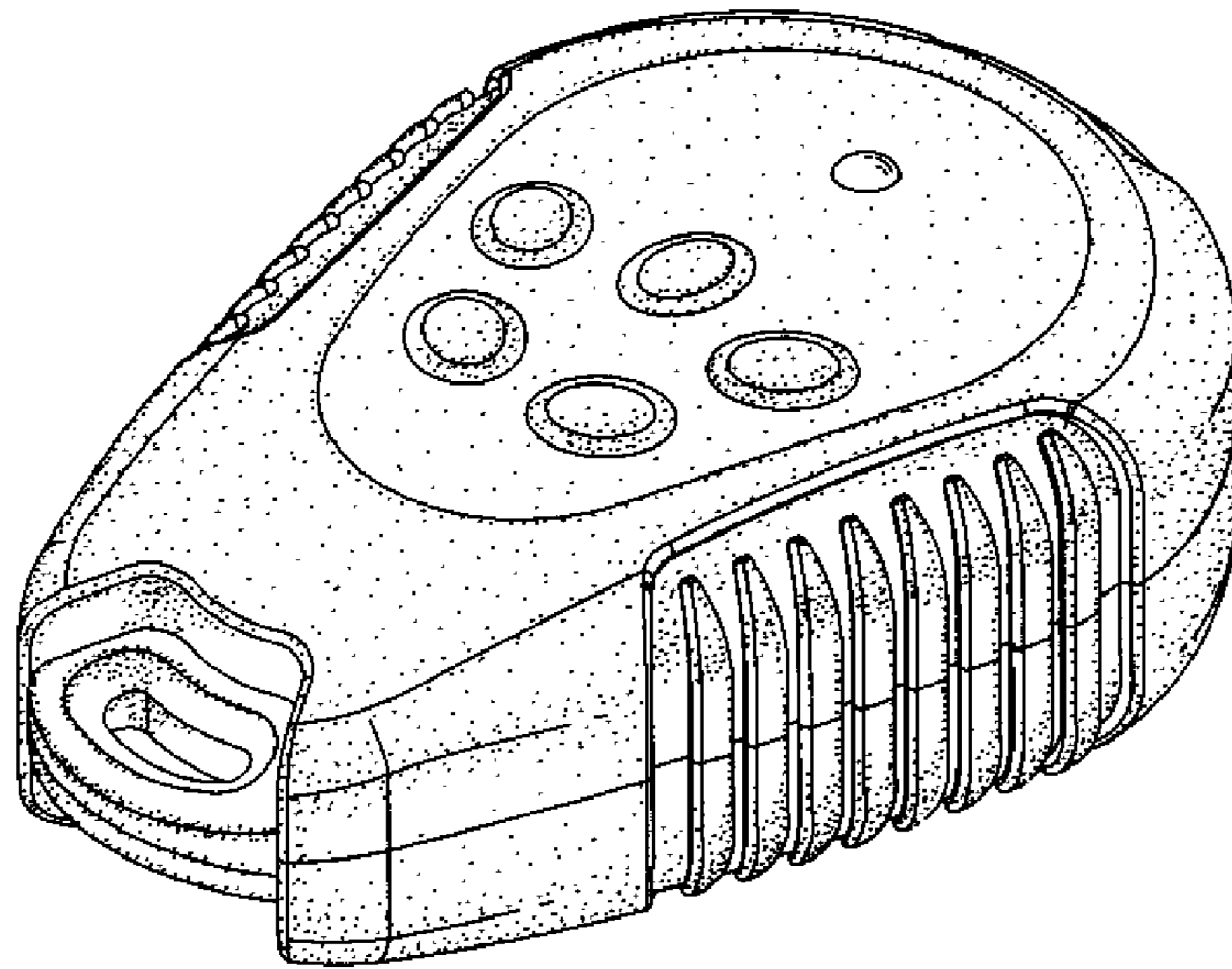


*Fig. 5*

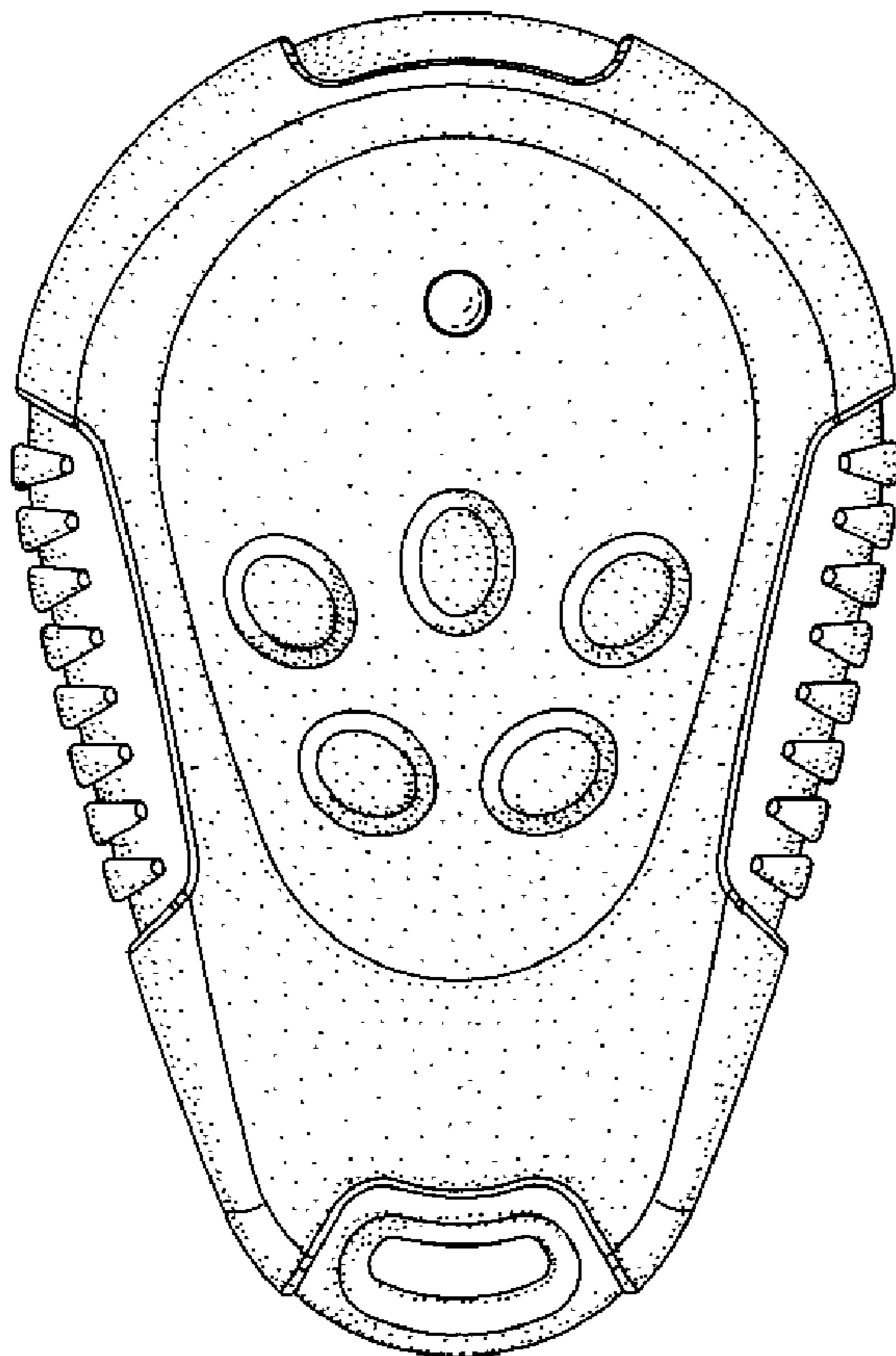


*Fig. 6*

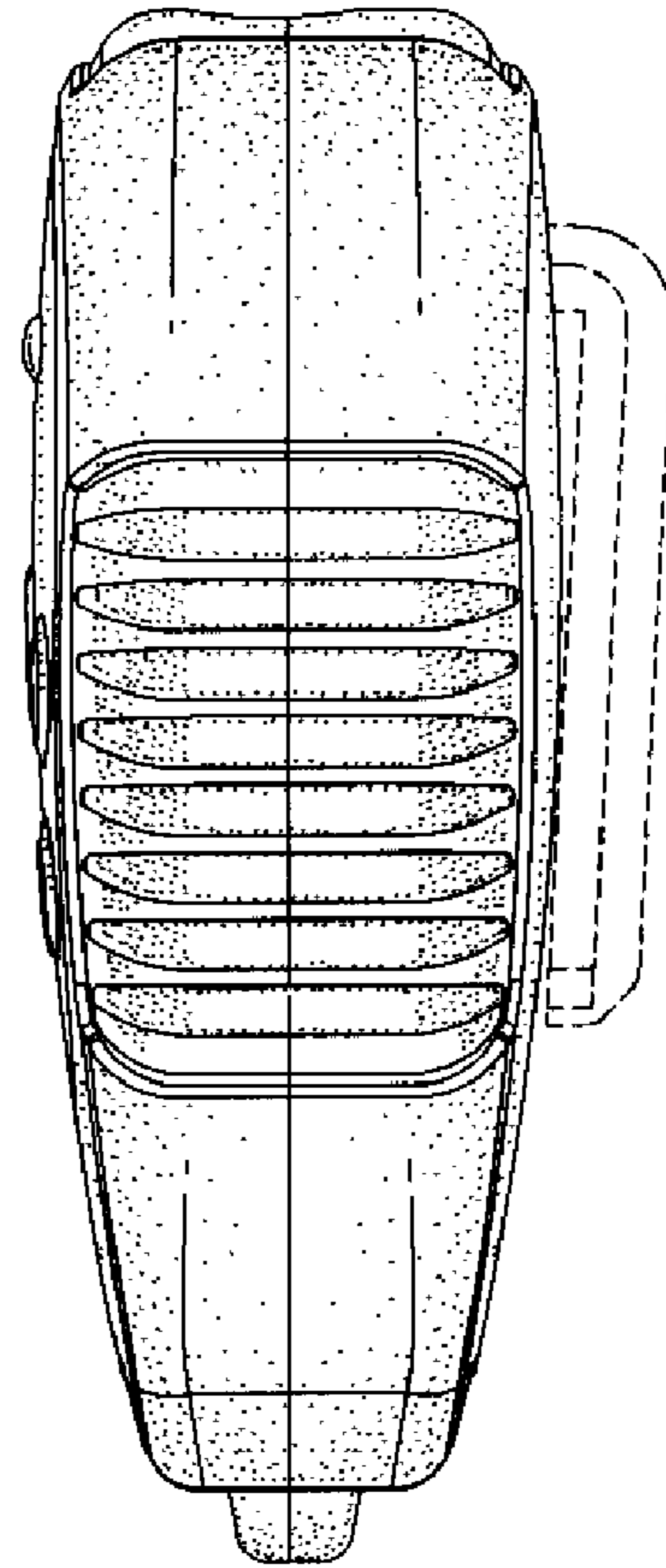




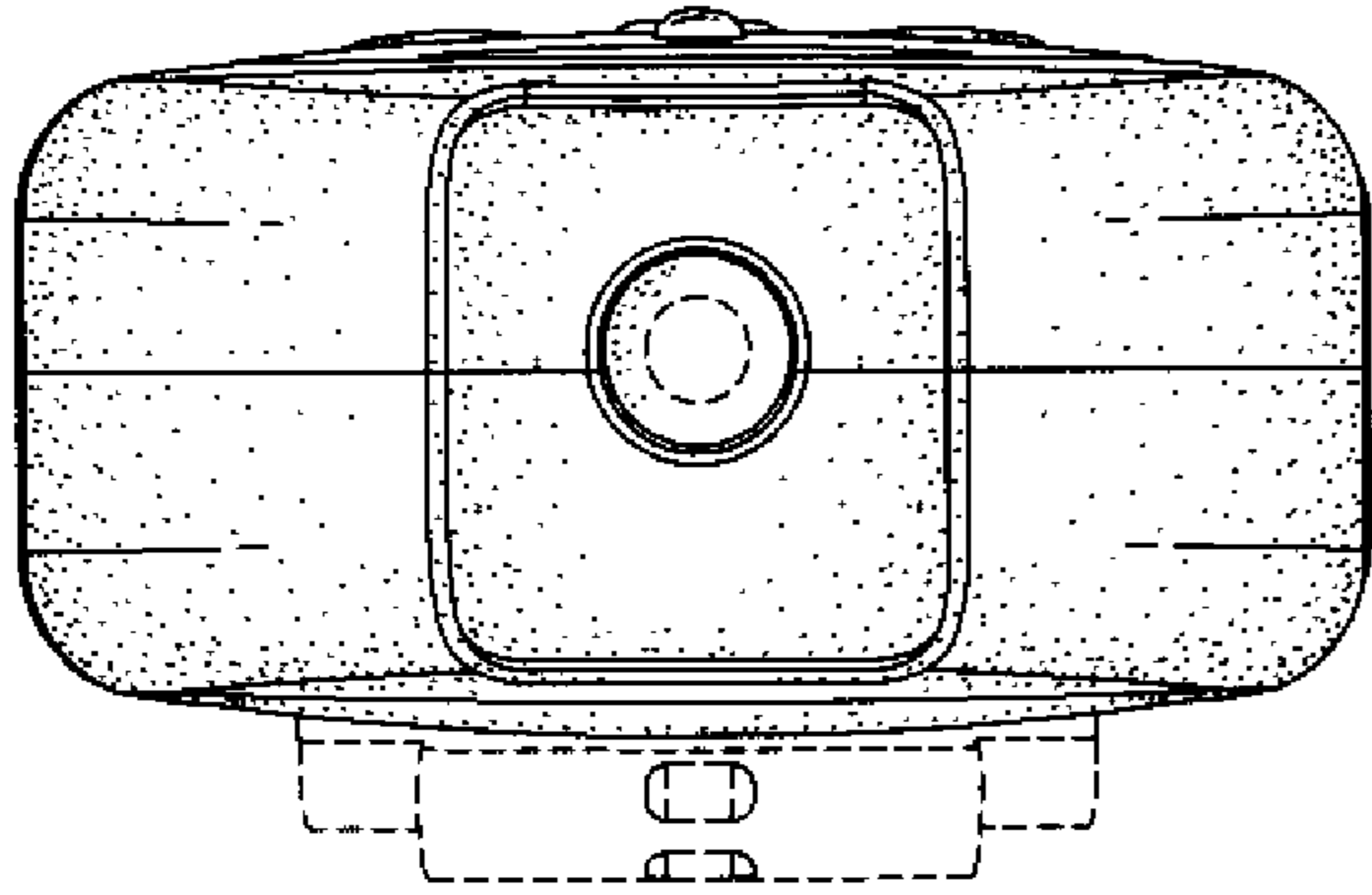
*Fig. 7*



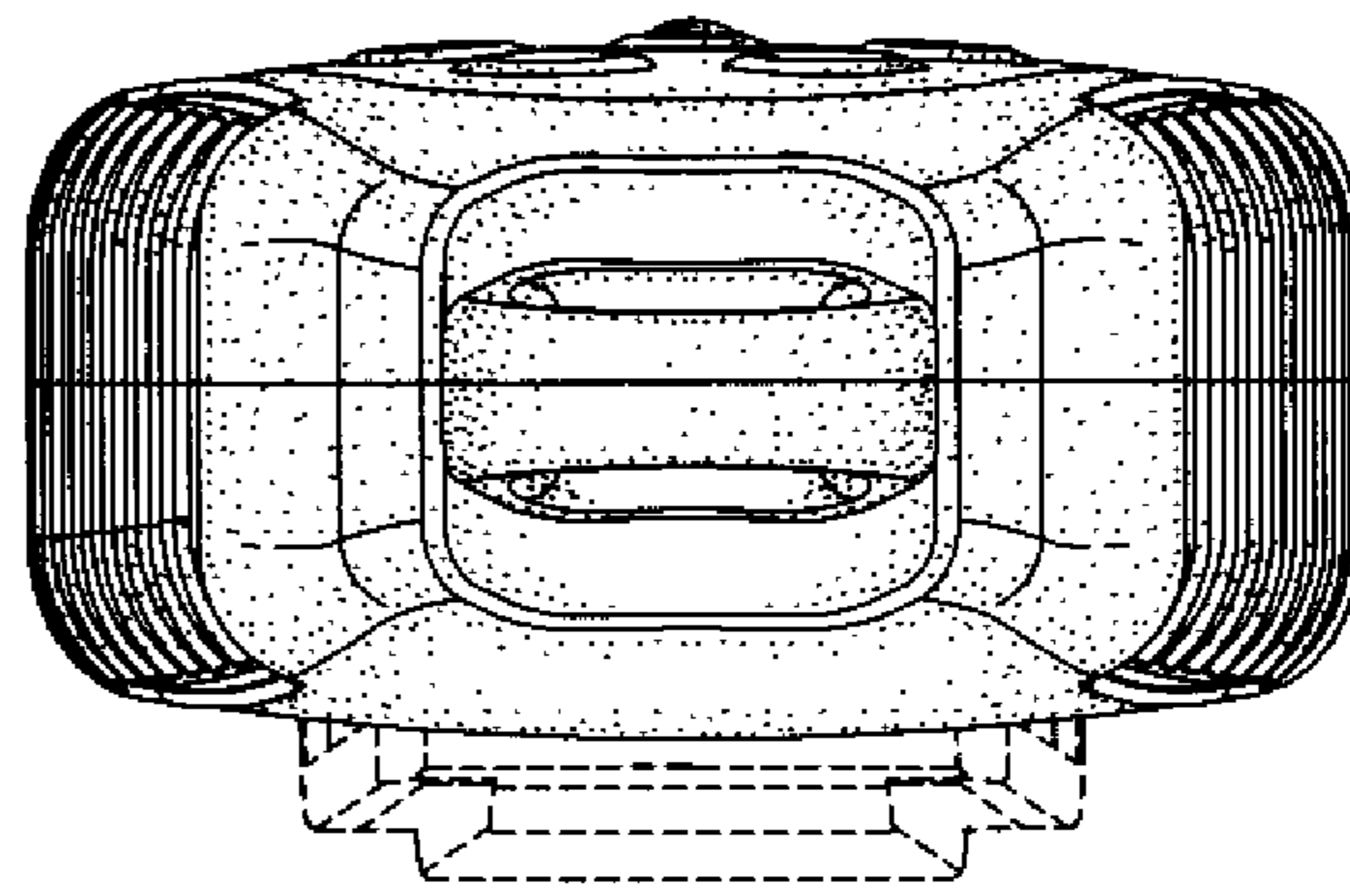
*Fig. 8*



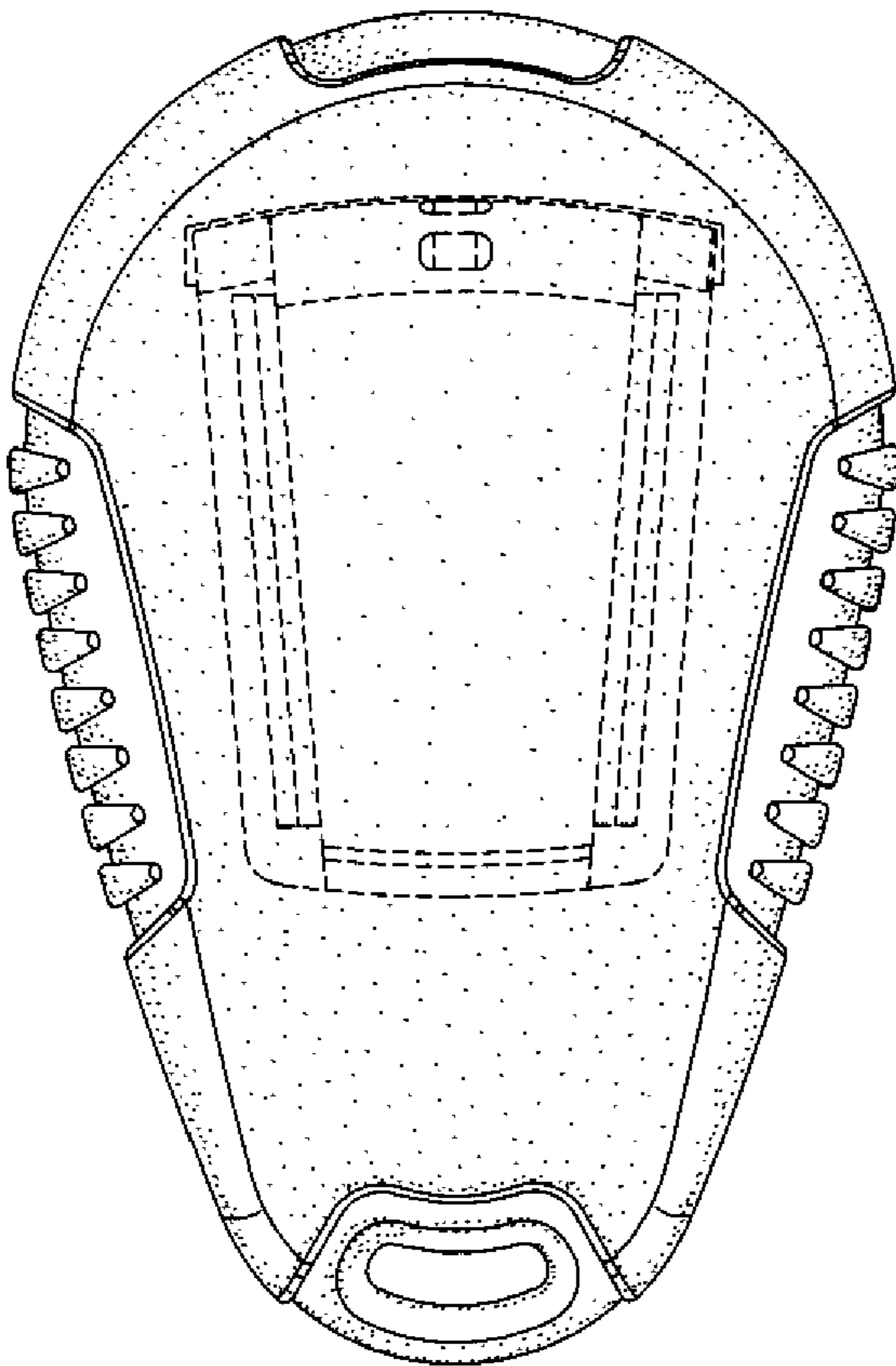
*Fig. 9*



*Fig. 10*



*Fig. 11*



*Fig. 12*