



US00D577362S

(12) **United States Design Patent**  
**Rutter et al.**

(10) **Patent No.:** **US D577,362 S**

(45) **Date of Patent:** **\*\* Sep. 23, 2008**

(54) **WRIST REST**

(75) Inventors: **Bryce Rutter**, St. Louis, MO (US);  
**Jonathan Sundy**, St. Louis, MO (US)

(73) Assignee: **Fellowes, Inc.**, Itasca, IL (US)

(\*\*) Term: **14 Years**

(21) Appl. No.: **29/292,998**

(22) Filed: **Nov. 6, 2007**

(51) **LOC (8) Cl.** ..... **06-06**

(52) **U.S. Cl.** ..... **D14/461**

(58) **Field of Classification Search** ..... D14/457-461,  
D14/356, 388, 389, 432, 341, 344; D19/52,  
D19/56, 95; D25/61, 68, 69, 102, 119, 126,  
D25/136, 164; D24/124, 206, 207; D6/406.3,  
D6/406.6, 601; 248/118, 918, 118.1, 118.5,  
248/346.01, 694; 108/6, 28, 90, 59, 153.1,  
108/157.1

See application file for complete search history.

(56) **References Cited**

**U.S. PATENT DOCUMENTS**

D347,216 S *	5/1994	Ciccone	.....	D14/461
D366,653 S *	1/1996	Lovegrove et al.	.....	D14/461
D372,911 S *	8/1996	Wang et al.	.....	D14/393
D381,016 S *	7/1997	Paull et al.	.....	D14/461
5,660,360 A *	8/1997	Yang	.....	248/118
D387,339 S *	12/1997	Hsu	.....	D14/461
D400,516 S *	11/1998	Choy et al.	.....	D14/461
5,938,352 A *	8/1999	Chen	.....	248/118
D439,910 S *	4/2001	Tonizzo et al.	.....	D14/457
D442,968 S *	5/2001	Udo et al.	.....	D14/461
D448,034 S *	9/2001	Betancourt	.....	D14/457

D448,035 S *	9/2001	Betancourt	.....	D14/457
D449,833 S *	10/2001	Prokop	.....	D14/396
D450,056 S *	11/2001	Ledbetter et al.	.....	D14/460
D460,080 S *	7/2002	Richter	.....	D14/457
6,478,266 B1 *	11/2002	Tsau	.....	248/118.1
D467,590 S *	12/2002	Walker	.....	D14/460
D469,102 S *	1/2003	Chou	.....	D14/461
6,618,242 B2 *	9/2003	Garel et al.	.....	248/118.1
D481,395 S *	10/2003	Richter	.....	D14/457
D546,830 S *	7/2007	O'Neil	.....	D14/455

\* cited by examiner

*Primary Examiner*—Cathron Brooks

*Assistant Examiner*—Deanna Fluegeman

(74) *Attorney, Agent, or Firm*—Wood, Phillips, Katz, Clark & Mortimer

(57) **CLAIM**

The ornamental design for a wrist rest, as shown and described.

**DESCRIPTION**

FIG. 1 is a perspective view of the wrist rest.

FIG. 2 is a top view of the wrist rest.

FIG. 3 is a front view of the wrist rest.

FIG. 4 is a back view of the wrist rest.

FIG. 5 is a left side view of the wrist rest.

FIG. 6 is a right side view of the wrist rest; and,

FIG. 7 is a bottom view of the wrist rest.

The broken lines shown in FIG. 1 are included for the purpose of illustrating environmental structure and form no part of the claimed design.

**1 Claim, 2 Drawing Sheets**

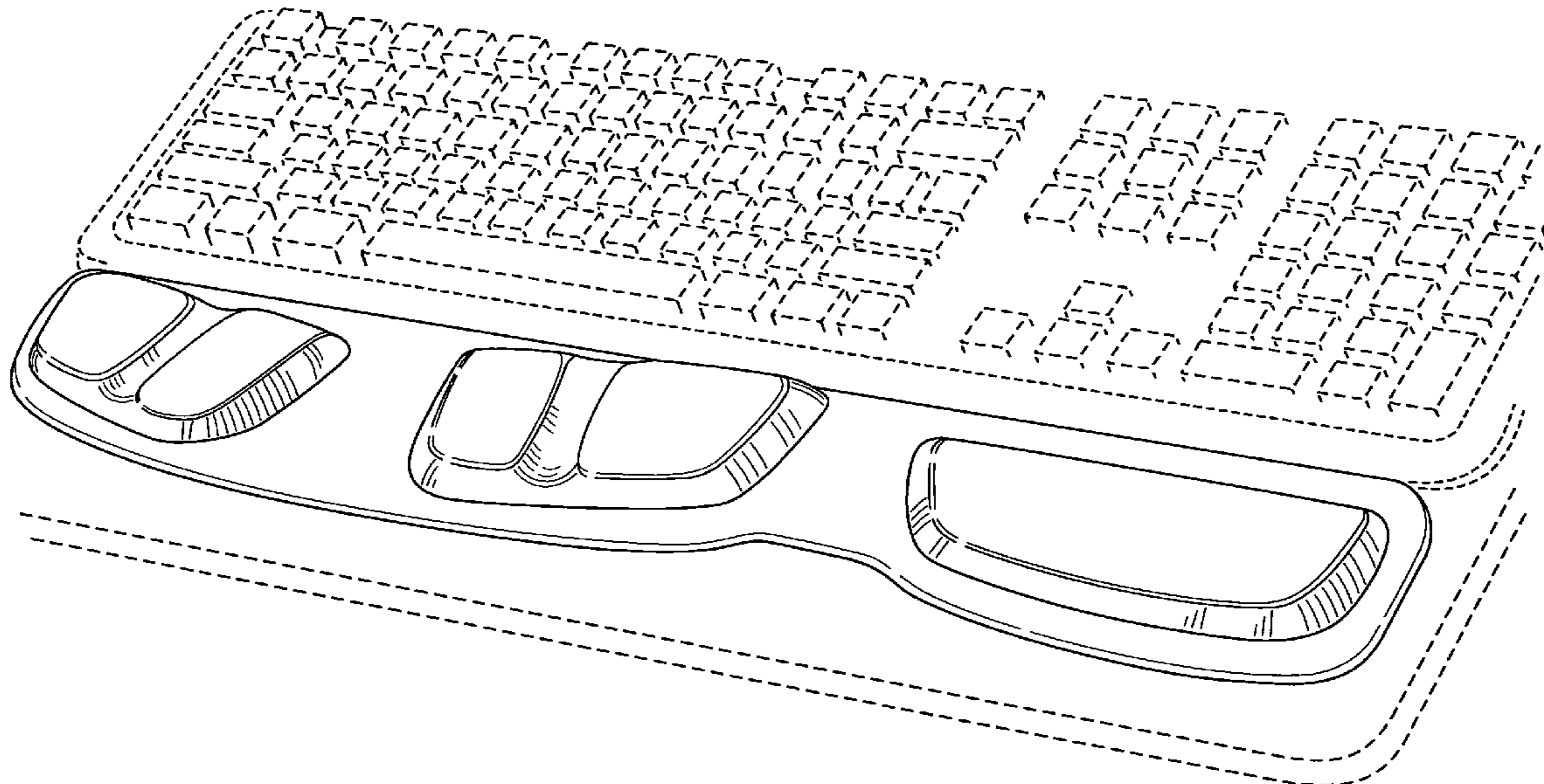


Fig. 1

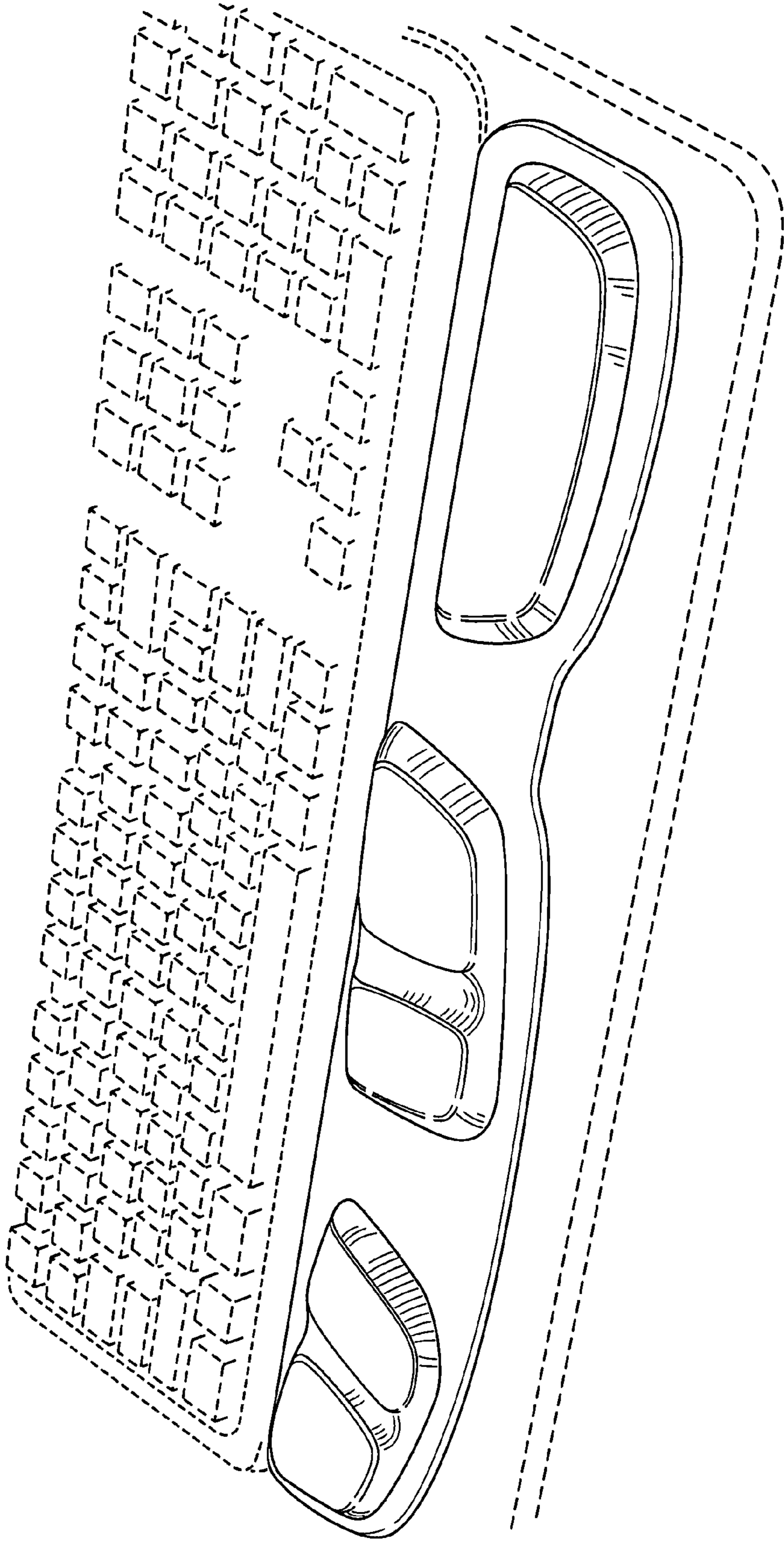


Fig. 2

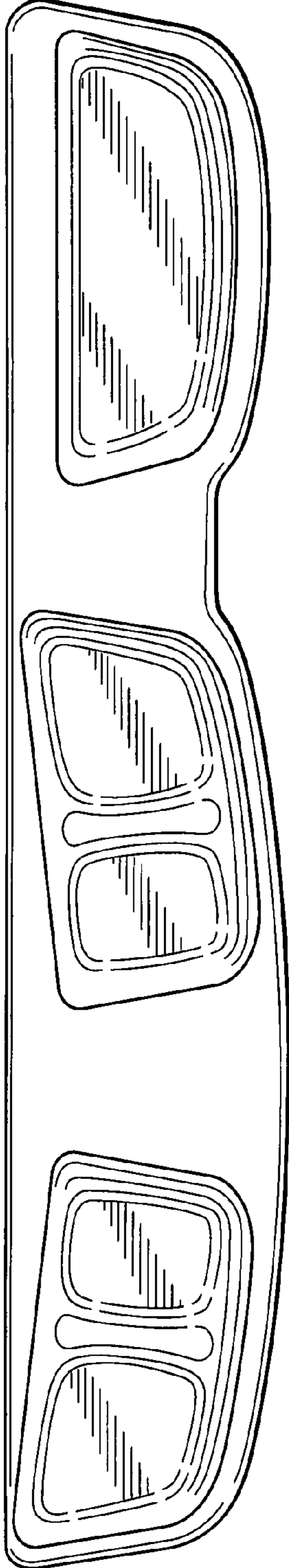


Fig. 3



Fig. 4



Fig. 5



Fig. 6



Fig. 7

