



US00D577361S

(12) **United States Design Patent**  
**Beilstein et al.**

(10) **Patent No.:** **US D577,361 S**

(45) **Date of Patent:** **\*\* Sep. 23, 2008**

(54) **COMPUTER STAND**

(75) Inventors: **Christine Beilstein**, Chicago, IL (US);  
**Scott Hughes**, Chicago, IL (US); **Kurt Melzer**, Chicago, IL (US); **Timothy Killinger**, Plainfield, IL (US)

(73) Assignee: **Sanford, L.P.**, Oak Brook, IL (US)

(\*\*) Term: **14 Years**

(21) Appl. No.: **29/273,515**

(22) Filed: **Mar. 7, 2007**

**Related U.S. Application Data**

(62) Division of application No. 29/259,069, filed on May 2, 2006.

(51) **LOC (8) Cl.** ..... **14-03**

(52) **U.S. Cl.** ..... **D14/447; D14/451**

(58) **Field of Classification Search** ..... D14/217,  
D14/224, 239, 251, 316, 356, 366, 375-7,  
D14/432, 434, 439, 447-8, 451-2, 455, 457,  
D14/469; D6/396, 419, 449, 473-5, 477,  
D6/512; D7/323, 339-41, 362, 365, 367,  
D7/407; D8/363; D19/92, 95; D23/314,  
D23/332, 355, 370, 386-7; 248/121, 122.1,  
248/124.1, 125.1, 125.7, 126-8, 133, 178.1,  
248/183.2, 346.01, 346.02, 346.03, 349.1,  
248/371, 441.1, 454-5, 917-24; 312/223.3;  
361/681, 683, 686-7

See application file for complete search history.

(56) **References Cited**

**U.S. PATENT DOCUMENTS**

3,381,928 A \* 5/1968 White ..... 248/455

(Continued)

**OTHER PUBLICATIONS**

Ergo Fold Portable Laptop Stand. Datasheet, 1 page [online]. LaptopStands.co.uk [retrieved on Jan. 31, 2006]. Retrieved from the Internet: <URL: www.laptopstands.co.uk/cgi-bin/store/commerce.cgi?product=Ergofold>.

(Continued)

*Primary Examiner*—Cathron Brooks

*Assistant Examiner*—Angela J Lee

(74) *Attorney, Agent, or Firm*—Marshall Gerstein & Borun LLP

(57) **CLAIM**

The ornamental design for a computer stand, as shown and described.

**DESCRIPTION**

FIG. 1 is a perspective view showing our new design for a computer stand;

FIG. 2 is a front view of the stand of FIG. 1;

FIG. 3 is a side view of the stand of FIG. 1, the opposite side view being a mirror image thereof;

FIG. 4 is a rear view of the stand of FIG. 1;

FIG. 5 is a top view of the stand of FIG. 1;

FIG. 6 is a bottom plan view of the stand of FIG. 1;

FIG. 7 is a perspective view of a second embodiment of the stand of FIG. 1;

FIG. 8 is a front view of the stand of FIG. 7;

FIG. 9 is a side view of the stand of FIG. 7, the opposite side view being a mirror image thereof;

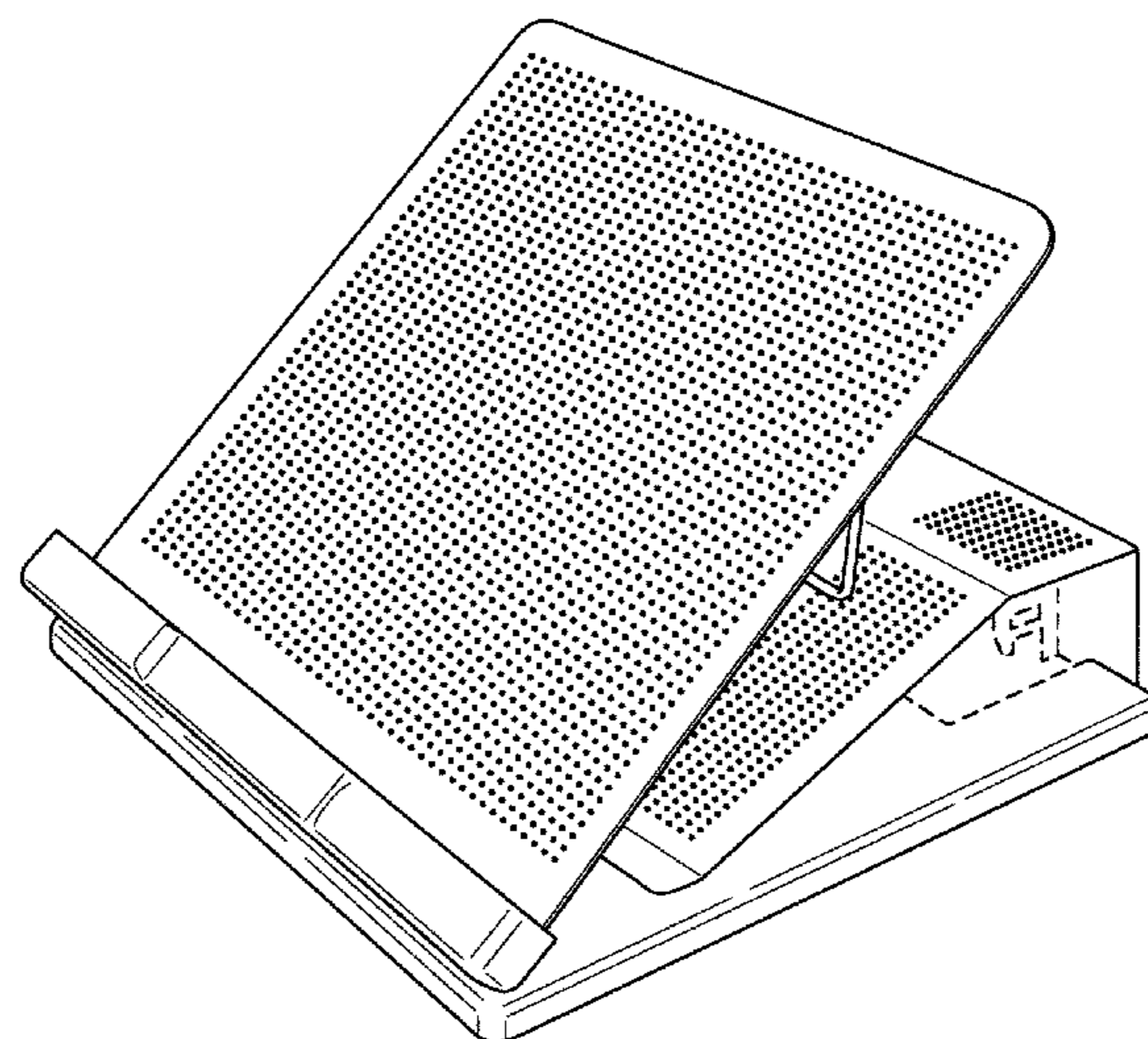
FIG. 10 is a rear view of the stand of FIG. 7;

FIG. 11 is a top view of the stand of FIG. 7; and,

FIG. 12 is a bottom plan view of the stand of FIG. 7.

The broken line showing of portions of the computer stand forms no part of the claimed design.

**1 Claim, 12 Drawing Sheets**



U.S. PATENT DOCUMENTS

D243,977	S *	4/1977	Roberts	.....	D18/12
4,044,980	A *	8/1977	Cummins	.....	248/456
4,848,243	A *	7/1989	Giordano	.....	108/9
D315,366	S *	3/1991	Greenspahn	.....	D19/52
D328,985	S *	9/1992	Sheldon	.....	D6/406.4
D330,649	S *	11/1992	Lemire	.....	D6/466
5,443,237	A *	8/1995	Stadtmauer	.....	248/441.1
6,220,558	B1 *	4/2001	Broder et al.	.....	248/346.02
D451,292	S *	12/2001	Cheris et al.	.....	D6/349
6,435,466	B1 *	8/2002	Adams	.....	248/455
6,474,614	B2	11/2002	MacEachern	.....	248/349.1
6,490,154	B2	12/2002	Thompson	.....	361/686
D480,088	S *	9/2003	Bakker et al.	.....	D14/447
6,682,040	B1	1/2004	MacEachern	.....	248/349.1
D494,977	S *	8/2004	Persson	.....	D14/447
D513,008	S *	12/2005	Takizawa et al.	.....	D14/447
2002/0122290	A1 *	9/2002	Davis	.....	361/683
2006/0192070	A1 *	8/2006	Chan	.....	248/371

OTHER PUBLICATIONS

Laptop Stand. Product information, 1 page [online]. Posturite.com.uk [retrieved on Jan. 31, 2006]. Retrieved from the Internet: <URL: [www.posturite.co.uk/postureitesite/pages/product/product.asp?prod=1064&cookie%...](http://www.posturite.co.uk/postureitesite/pages/product/product.asp?prod=1064&cookie%...)>

Ultra Laptop Solution. Product information, 2 pages [online]. Homeowrkingsolutions.co.uk [retrieved on Jan. 31, 2006]. Retrieved from the Internet: <URL: [www.homeworkingsolutions.co.uk/catalog/ultra\\_mobile.cfm](http://www.homeworkingsolutions.co.uk/catalog/ultra_mobile.cfm)>

Ergo Q2.Laptop Stand. Product information, 2 pages [online]. Back2.co.uk [retrieved on Jan. 31, 2006]. Retrieved from the

Internet: <URL: [www.back2.co.uk/products/atwork/laptop\\_stands/ergo\\_q2\\_laptop\\_stand.html](http://www.back2.co.uk/products/atwork/laptop_stands/ergo_q2_laptop_stand.html)>

Lap Suite Laptop Holder. Product information, 1 page [online]. Homeworkingsolutions.co.uk [retrieved on Jan. 31, 2006]. Retrieved from the Internet: <URL: [www.homeworkingsolutions.co.uk/catalog/lap\\_suite.cfm](http://www.homeworkingsolutions.co.uk/catalog/lap_suite.cfm)>

Ergonomic Travel Laptop Stand. Product information, 2 pages [online]. Ergoindemand.com [retrieved on Jan. 31, 2006]. Retrieved from the Internet: <URL: [www.ergoindemand.com/notebook\\_stands\\_5.html](http://www.ergoindemand.com/notebook_stands_5.html)>

Mesh Laptop Stand. Product information, 1 page [online]. Acco Brands [retrieved on Oct. 20, 2005]. Retrieved from the Internet: <URL: [www.acco.co.uk/document\\_management/product.asp?id=1585&category=57&subse...](http://www.acco.co.uk/document_management/product.asp?id=1585&category=57&subse...)>

Silver Laptop Stand. Product information, 1 page [online]. RS Produkt [retrieved on Jan. 31, 2006]. Retrieved from the Internet: <URL: [www.rsonline.de/elektronische-bauelemente-de/475381288-desk-accessories-office-...](http://www.rsonline.de/elektronische-bauelemente-de/475381288-desk-accessories-office-...)>

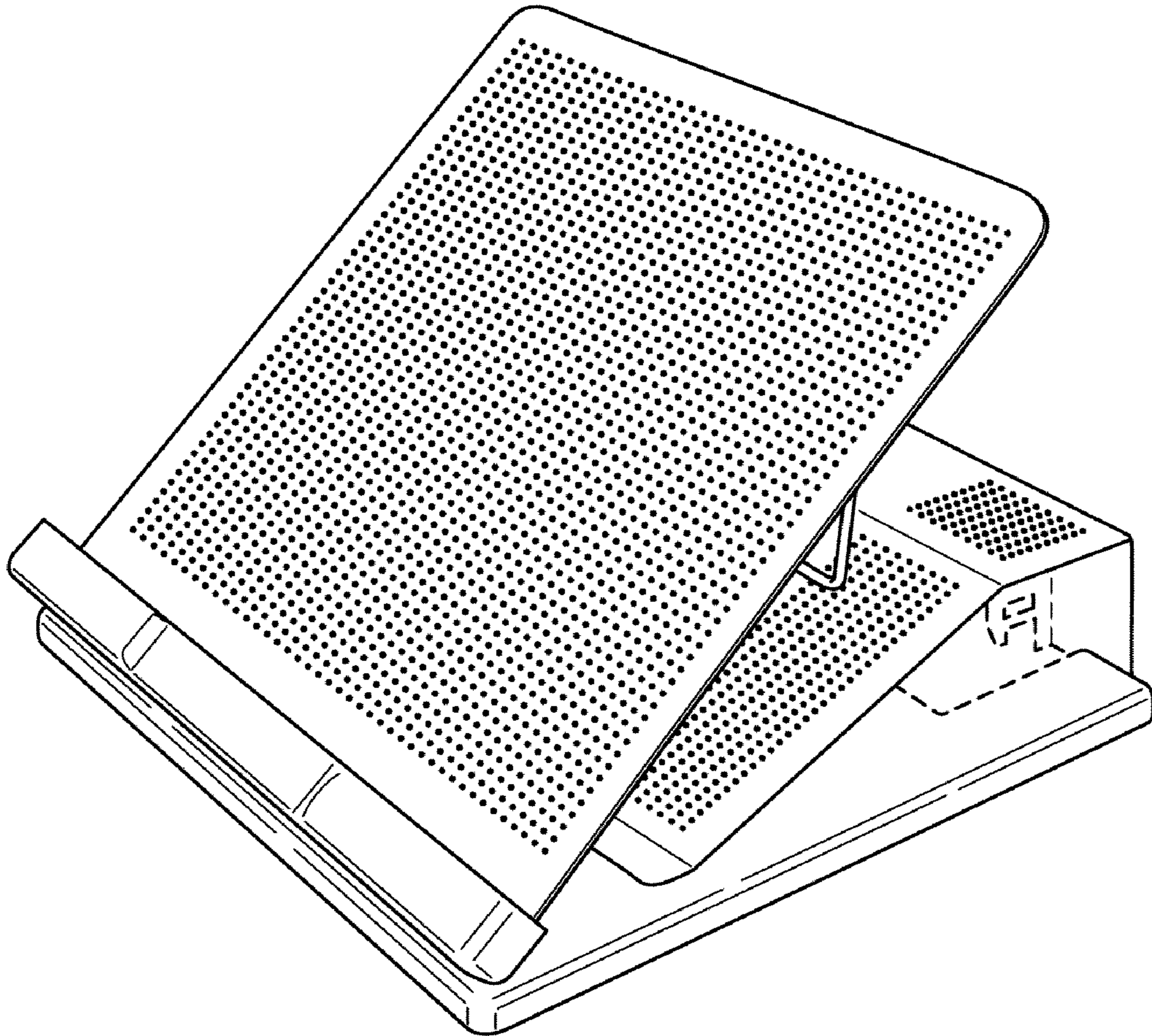
Laptop Desk UltraLite. Product information, 2 pages [online]. Lap Works [retrieved on Jan. 31, 2006]. Retrieved from the Internet: <URL: [www.laptopdesk.net/laptopdesk-ultralitef.html](http://www.laptopdesk.net/laptopdesk-ultralitef.html)>

Laptop Desk Series. Product information, 1 page [online]. Lap Works [retrieved on Jan. 31, 2006]. Retrieved from the Internet: <URL: [www.laptopdesk.net/desks.html](http://www.laptopdesk.net/desks.html)>

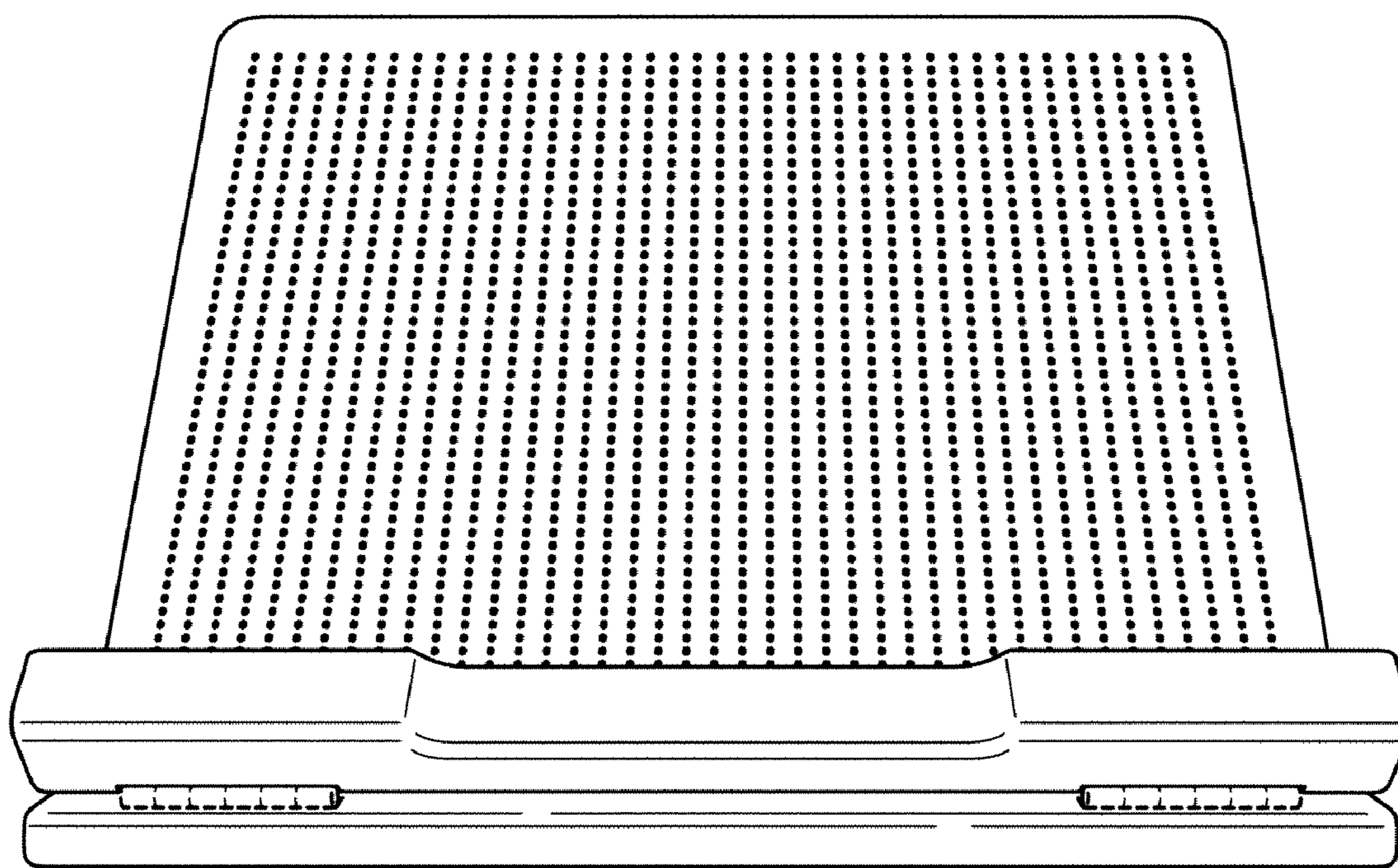
Prop-Forward Laptop Stand. Product information, 3 pages [online]. Prop-Forward [retrieved on Jan. 31, 2006]. Retrieved from the Internet: <URL: [www.prop-forward.com/?cn=uk&ag=fs&ad=ei](http://www.prop-forward.com/?cn=uk&ag=fs&ad=ei)>

Prop Forward. Product information, 2 pages [online]. Prop-forward.com [retrieved on Jan. 31, 2006]. Retrieved from the Internet: <URL: [www.prop-forward.com/?cn=uk&ag=fs&ad=ei](http://www.prop-forward.com/?cn=uk&ag=fs&ad=ei)>

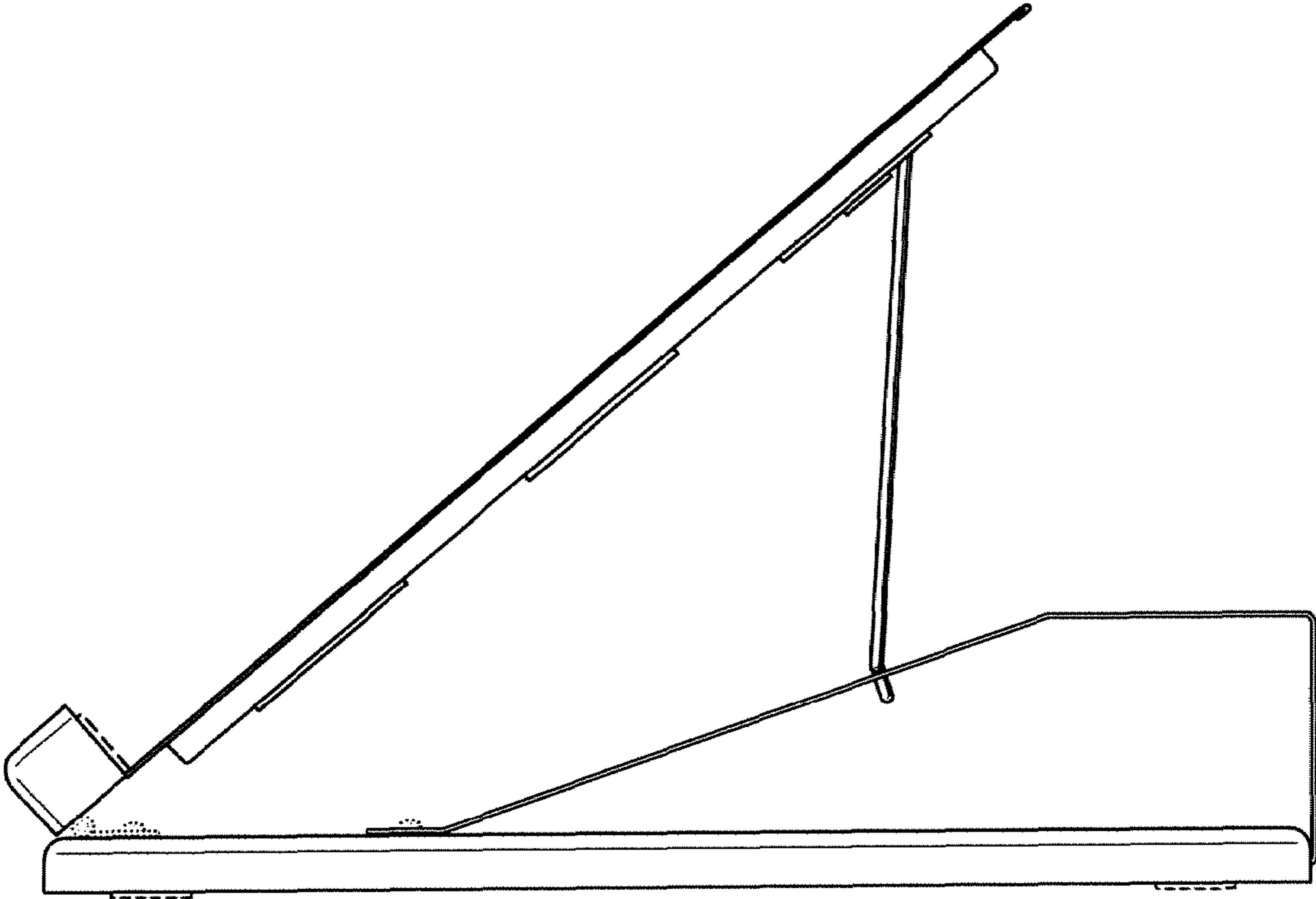
\* cited by examiner



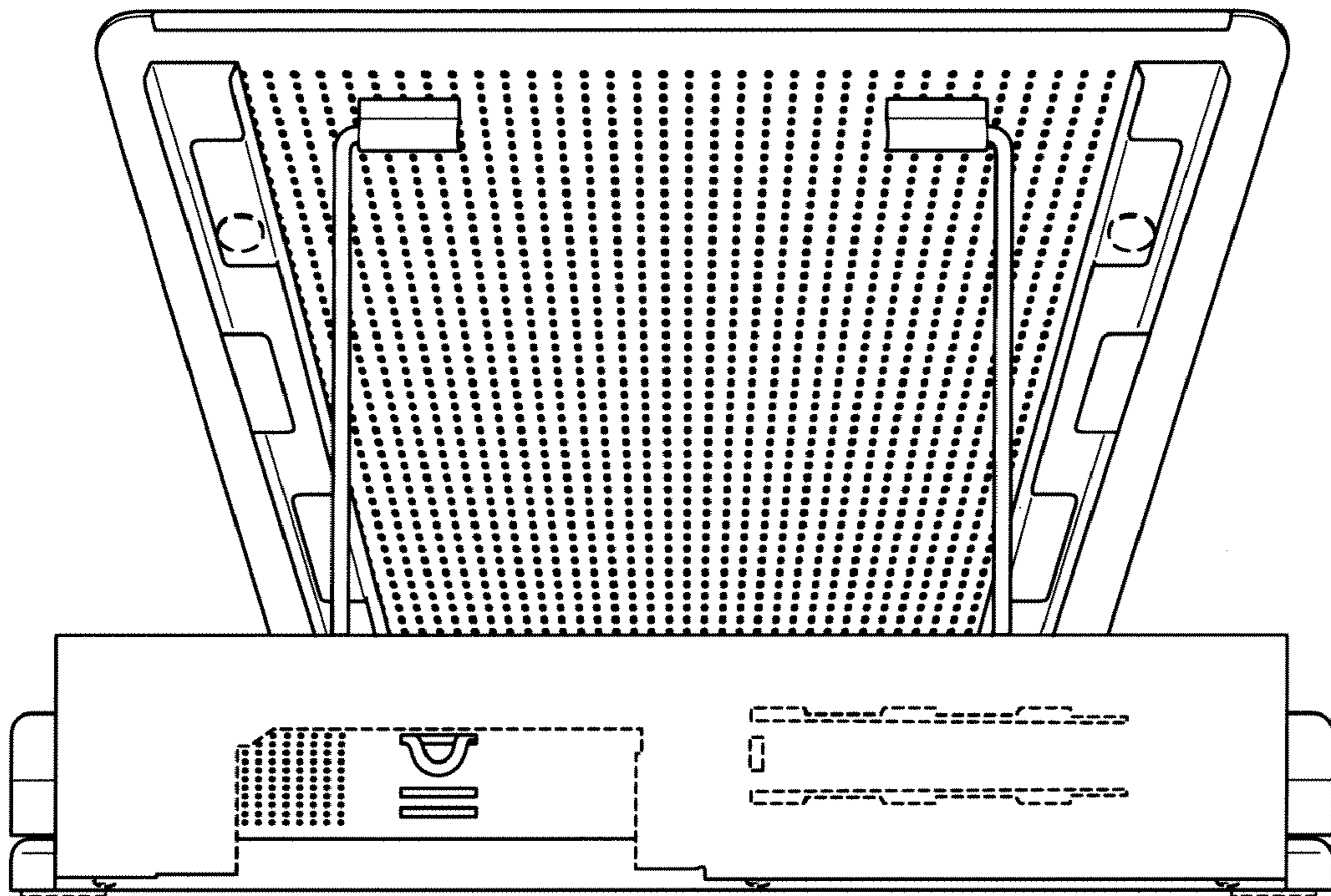
**FIG. 1**



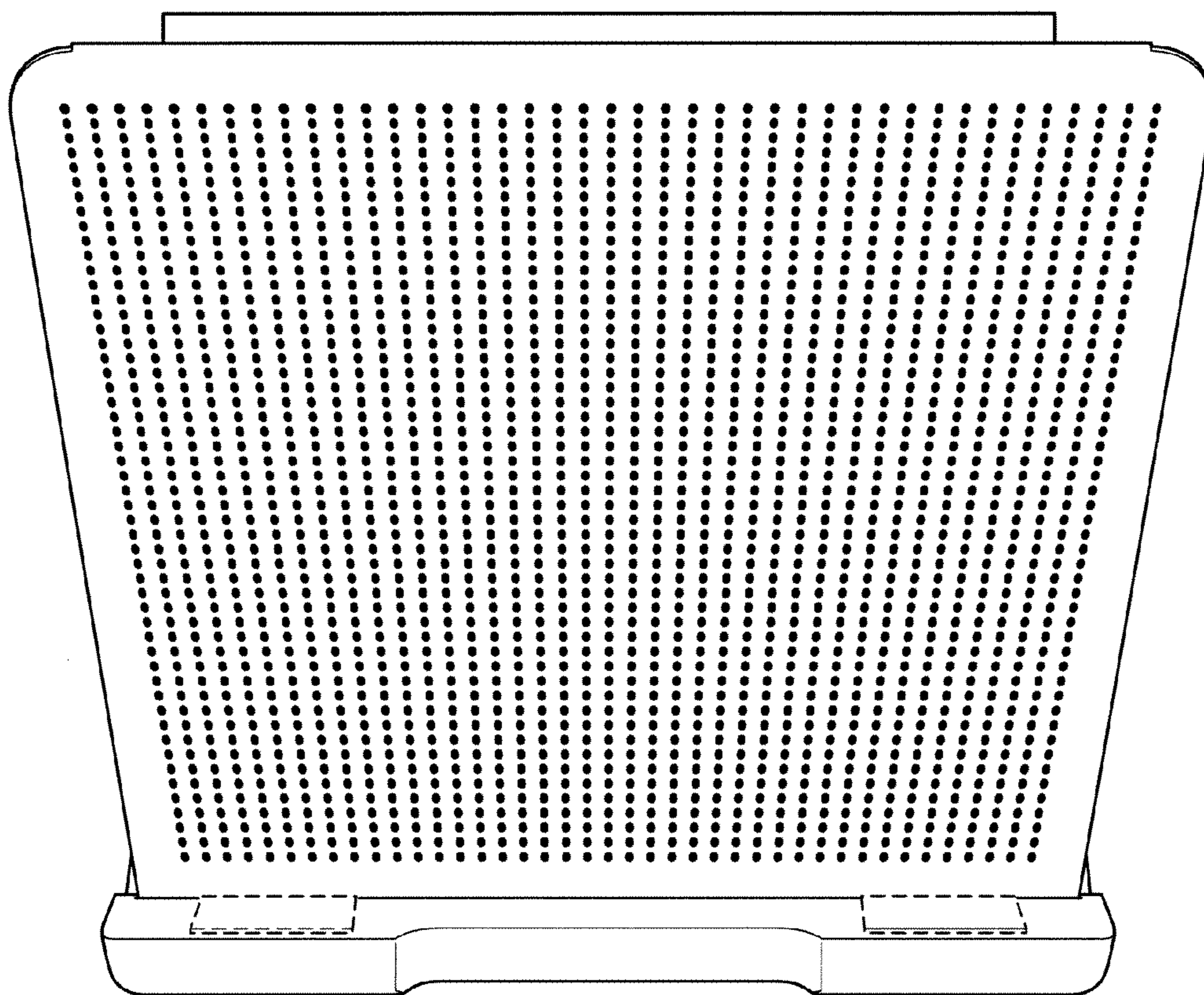
**FIG. 2**



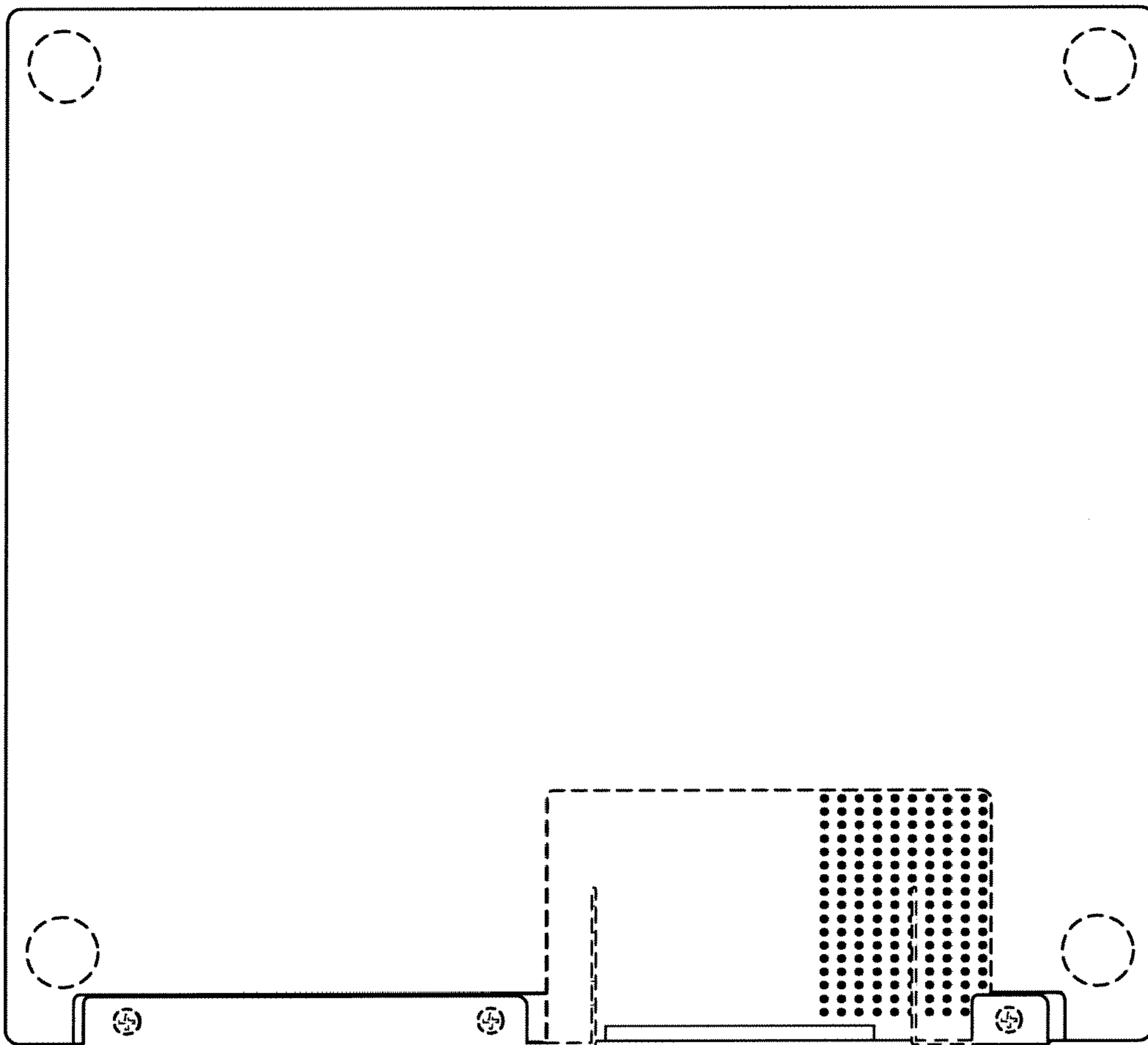
**FIG. 3**



**FIG. 4**

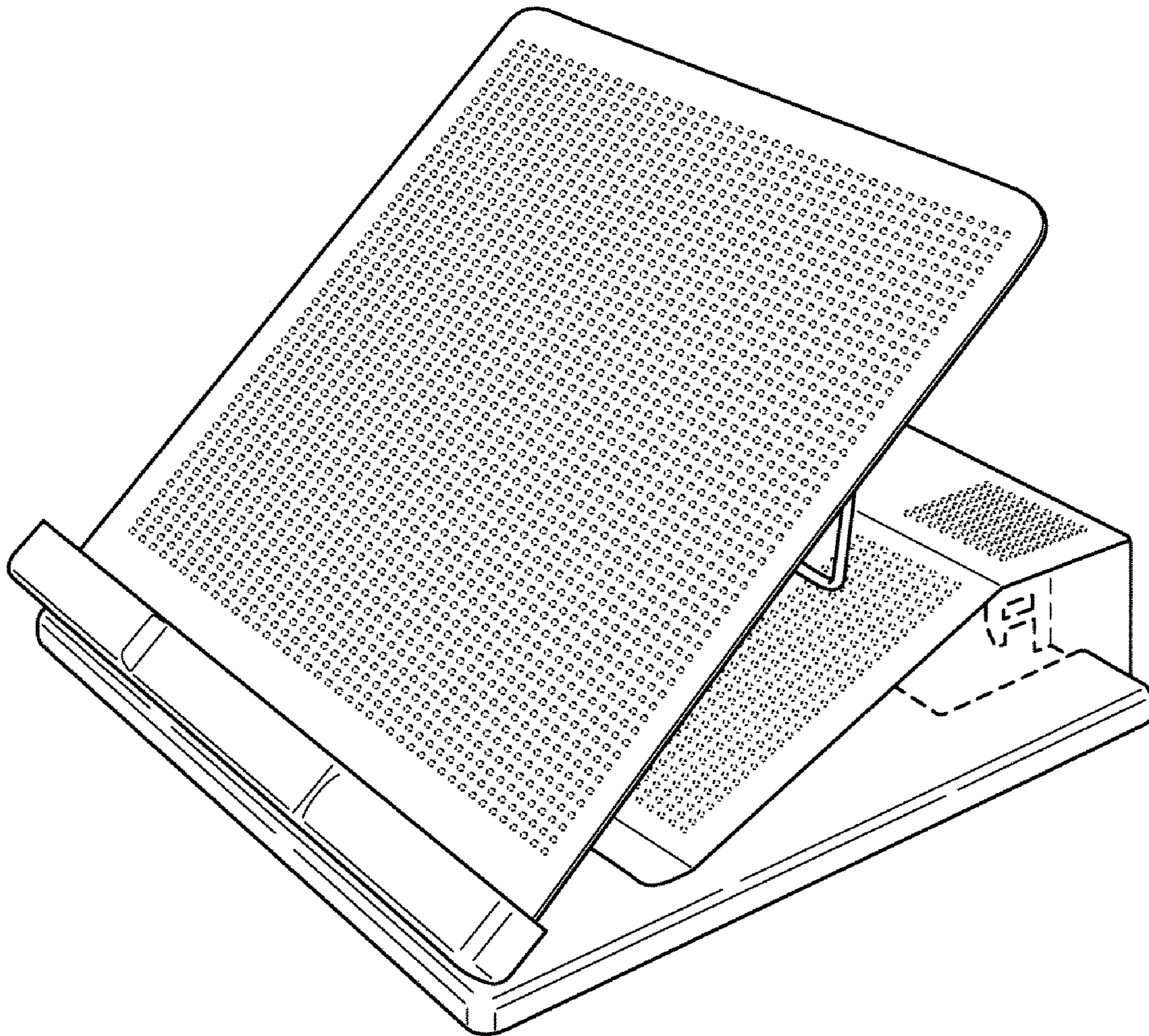


**FIG. 5**

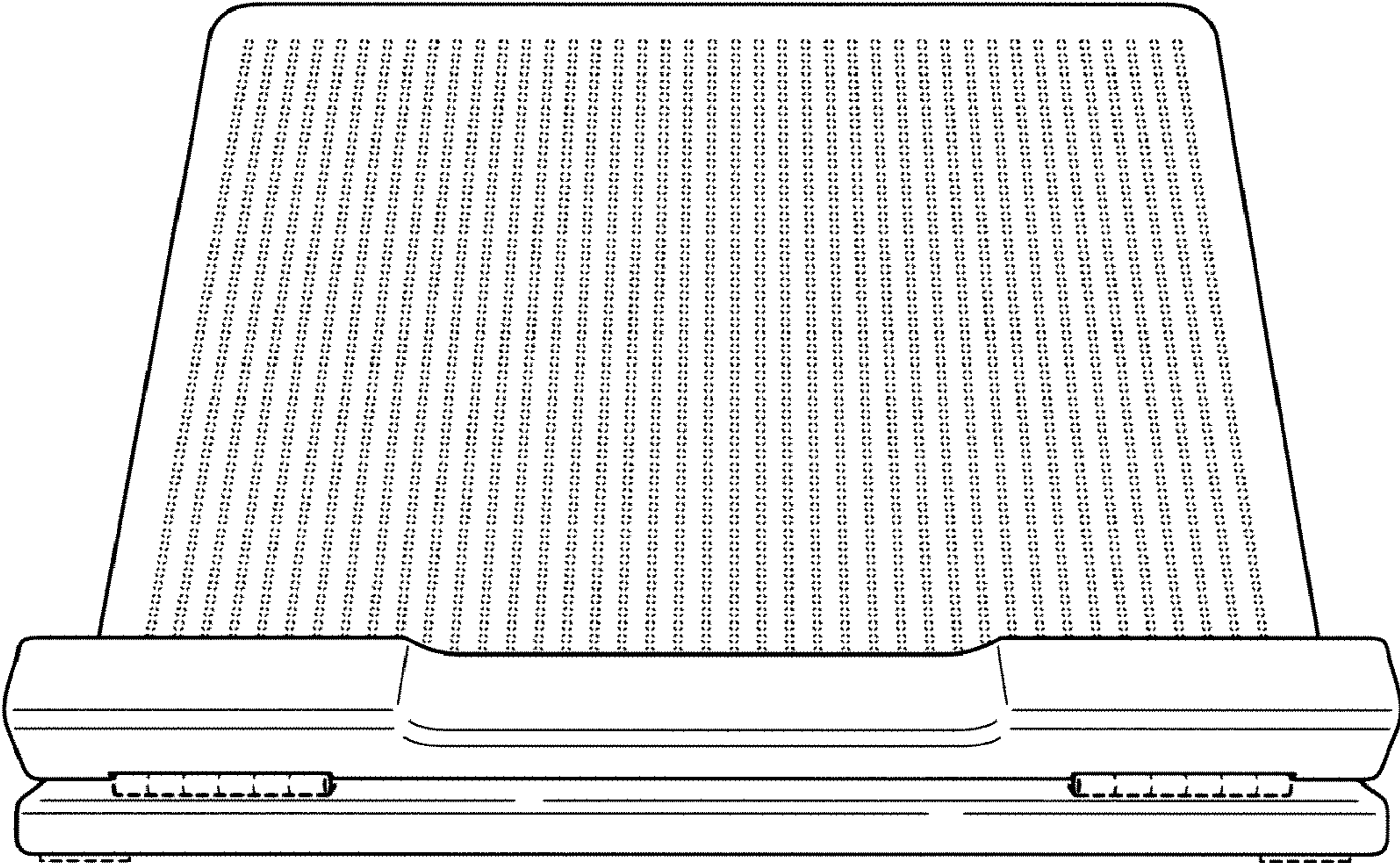


**FIG. 6**





**FIG. 7**



**FIG. 8**

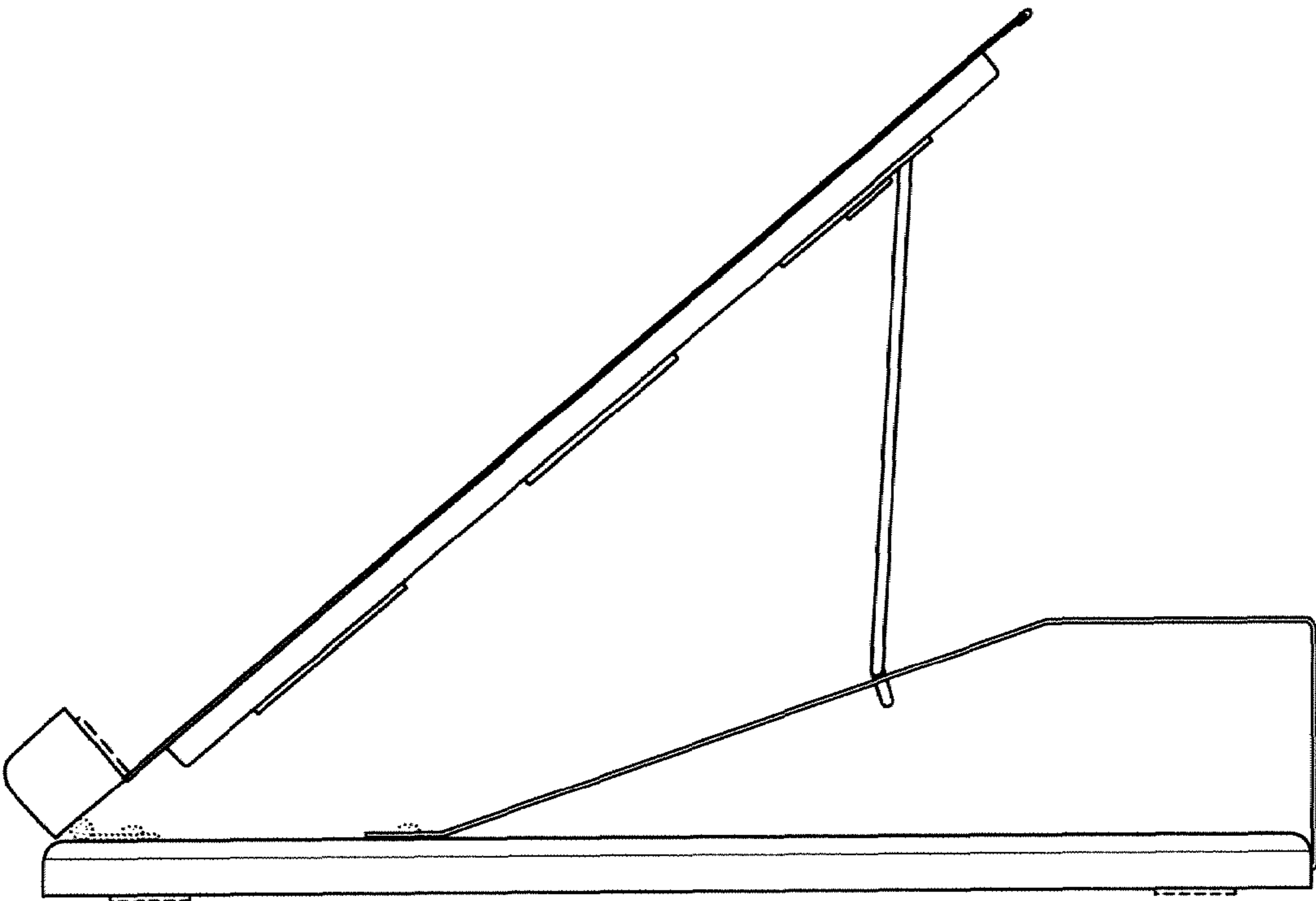
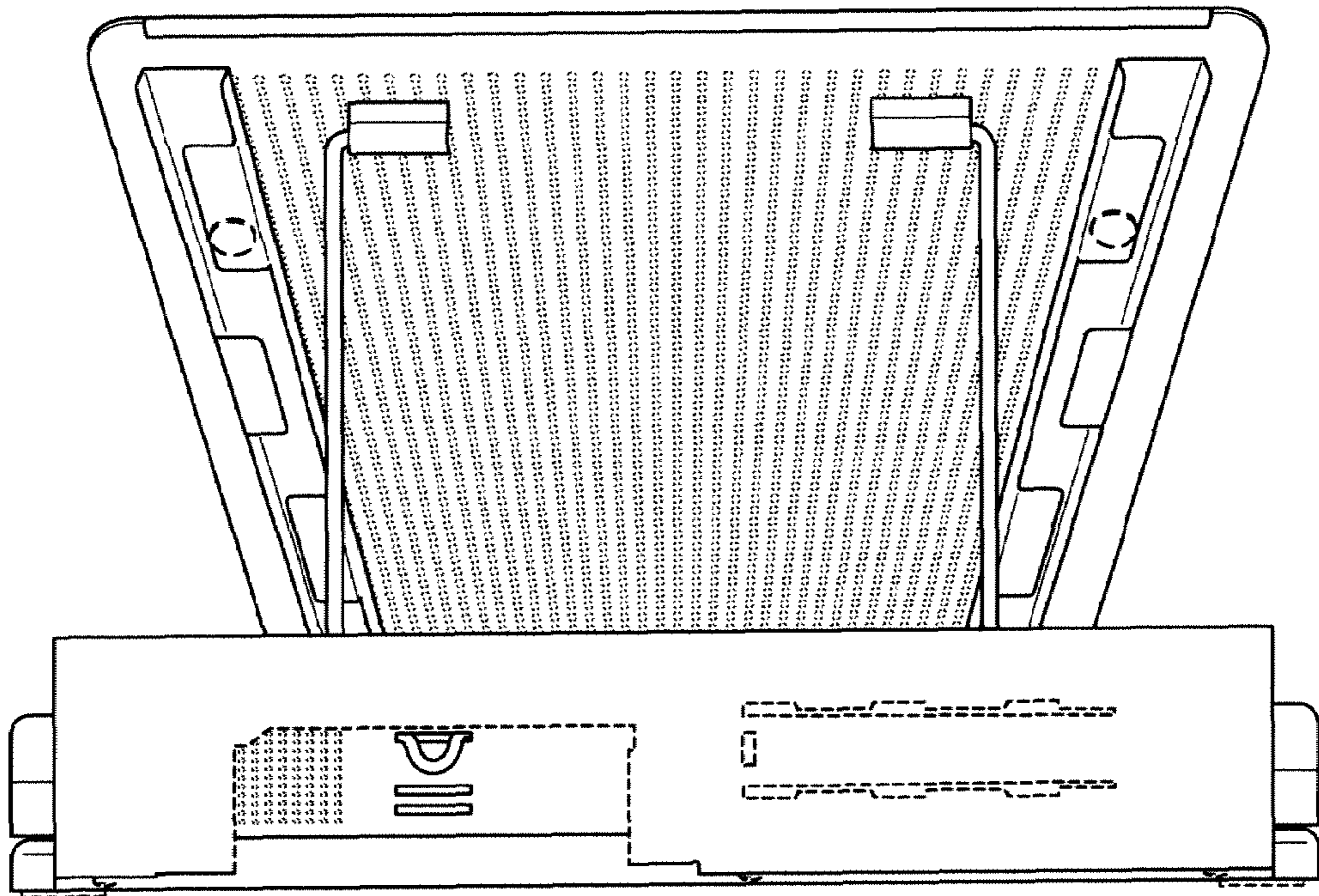


FIG. 9



**FIG. 10**

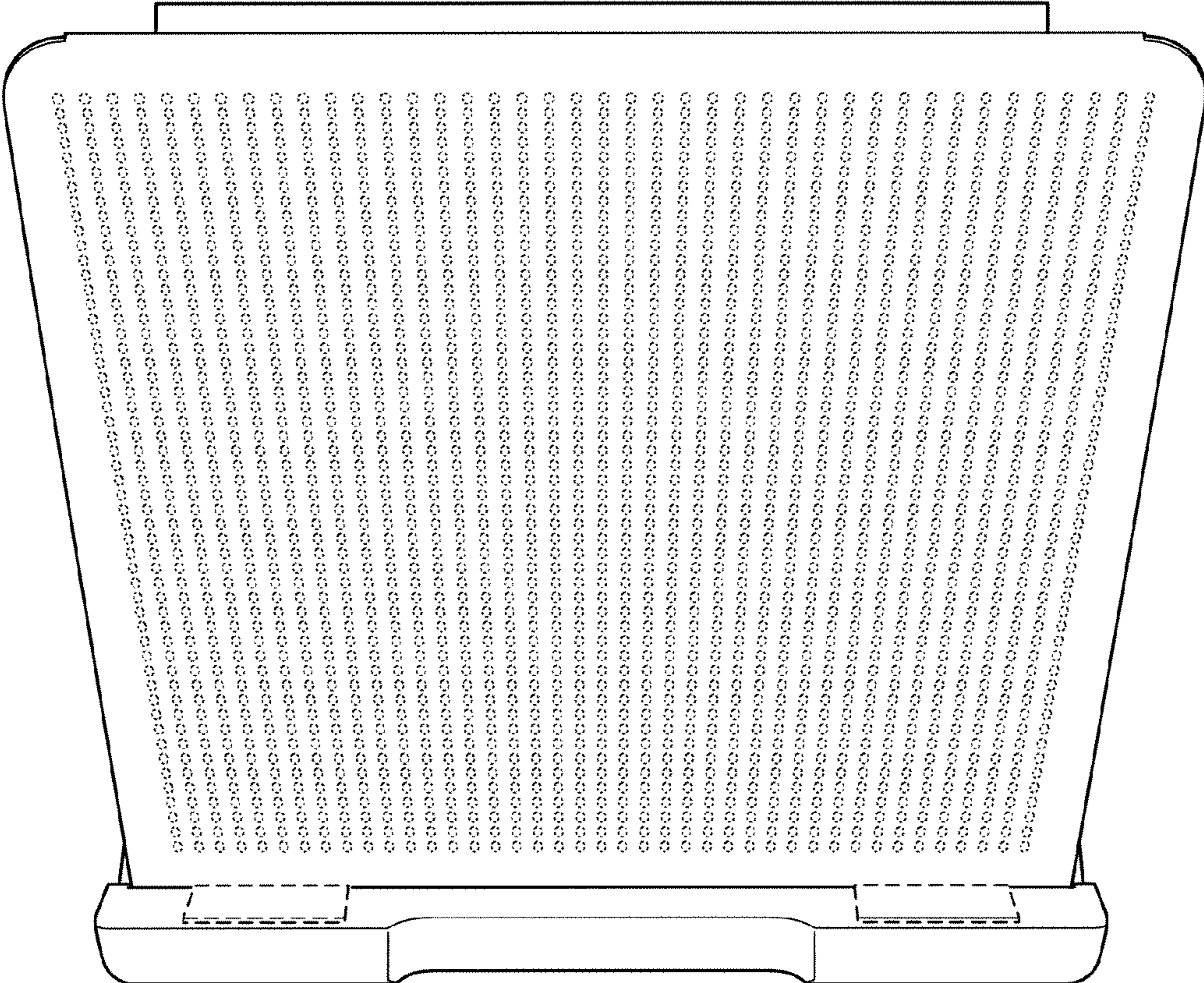
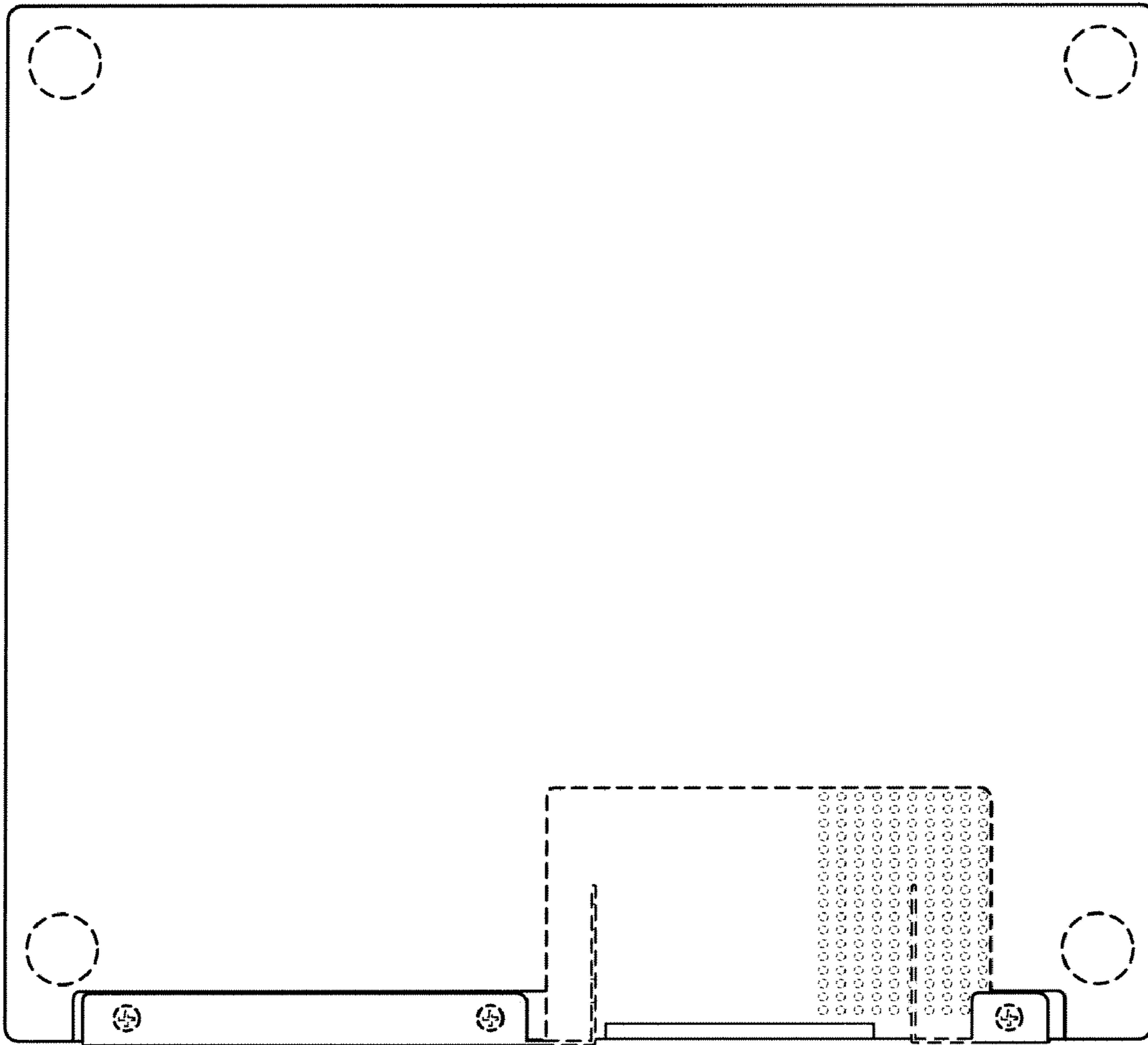


FIG. 11



**FIG. 12**