



US00D577358S

(12) **United States Design Patent**
Kettula et al.

(10) **Patent No.:** **US D577,358 S**

(45) **Date of Patent:** **** Sep. 23, 2008**

(54) **HOLDER FOR A HANDSET**

D442,578 S * 5/2001 Haase et al. D14/253
D444,449 S * 7/2001 Yamamoto D13/107

(75) Inventors: **Jan Kettula**, Espoo (FI); **Mariano Cucchi**, Erbusco (IT)

FOREIGN PATENT DOCUMENTS

(73) Assignee: **Nokia Corporation**, Espoo (FI)

EM 000310446-0001 4/2005
EM 000387105-0001 9/2005

(**) Term: **14 Years**

* cited by examiner

(21) Appl. No.: **29/246,375**

Primary Examiner—Terry A Wallace

(22) Filed: **Apr. 5, 2006**

(74) *Attorney, Agent, or Firm*—Banner & Witcoff, Ltd.

(30) **Foreign Application Priority Data**

Oct. 10, 2005 (FI) M20050157

(57) **CLAIM**

The ornamental design of a holder for a handset, as shown and described.

(51) **LOC (8) Cl.** **14-03**

DESCRIPTION

(52) **U.S. Cl.** **D14/253**; D14/251

FIG. 1 is a front view of a holder for a handset showing our new design;

(58) **Field of Classification Search** D14/251–253,
D14/137, 138, 142, 447; D13/107, 108,
D13/110; 455/575.1, 566, 575.3, 90.3, 575.4;
439/534, 165, 929; D16/208, 242; 248/160,
248/206.2, 274.1; 379/419, 426, 430, 446,
379/448, 449, 454, 455

FIG. 2 is a perspective front view thereof;

FIG. 3 is a rear view thereof;

FIG. 4 is a perspective rear view thereof;

FIG. 5 is a right side view thereof;

FIG. 6 is a left side view thereof;

FIG. 7 is a bottom view thereof;

FIG. 8 is a top plan view thereof; and,

FIG. 9 is a perspective front view.

See application file for complete search history.

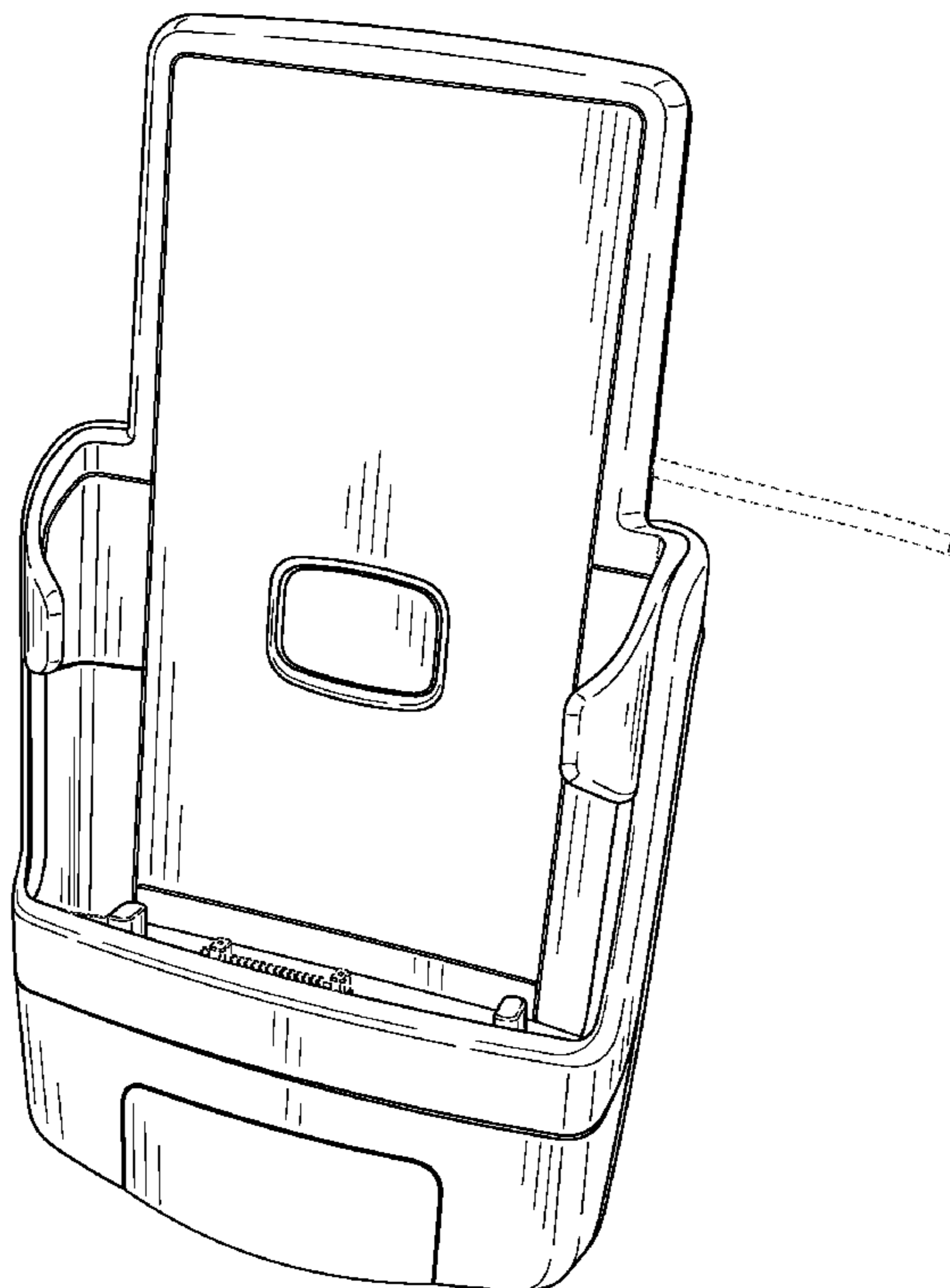
The broken line showing environmental structure is for illustrative purposes only and forms no part of the claimed design.

(56) **References Cited**

U.S. PATENT DOCUMENTS

D320,991 S * 10/1991 Nagai et al. D14/251
5,230,016 A * 7/1993 Yasuda 455/573
D358,822 S * 5/1995 Rudkiewicz et al. D14/253
D370,658 S * 6/1996 Siddoway et al. D13/108
D372,455 S * 8/1996 Tiefenthal et al. D13/108

1 Claim, 7 Drawing Sheets



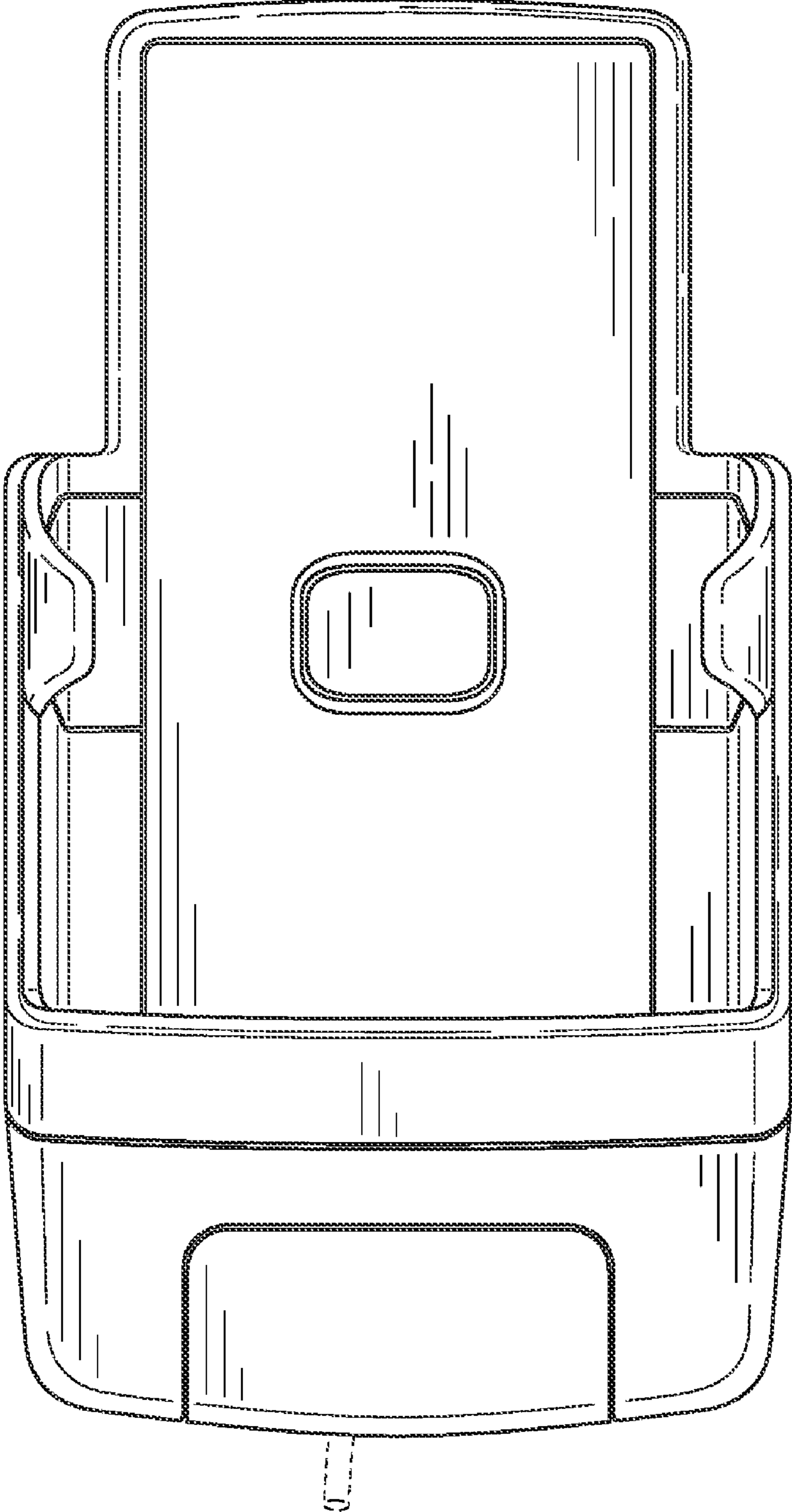


FIG. 1

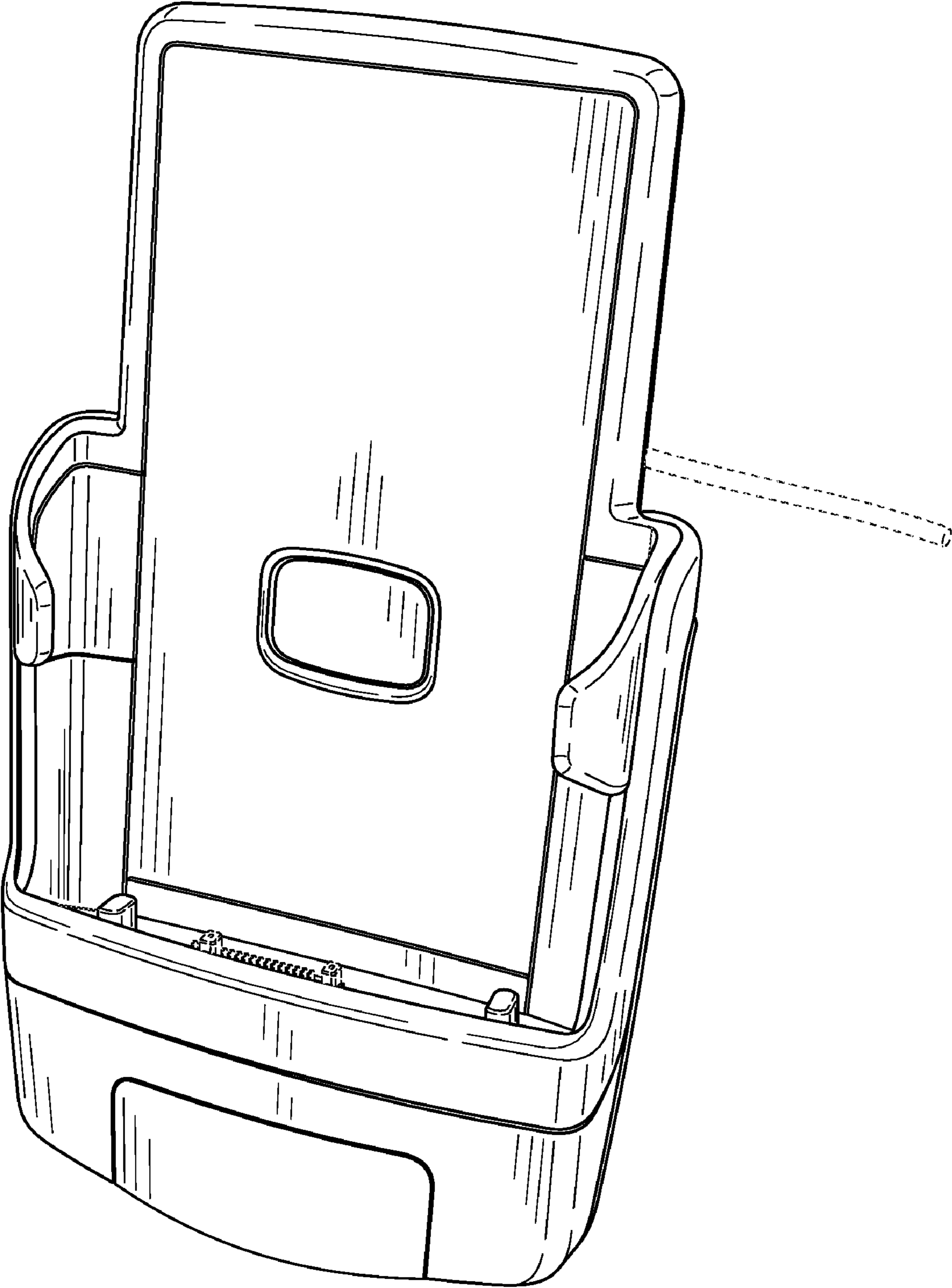


FIG. 2

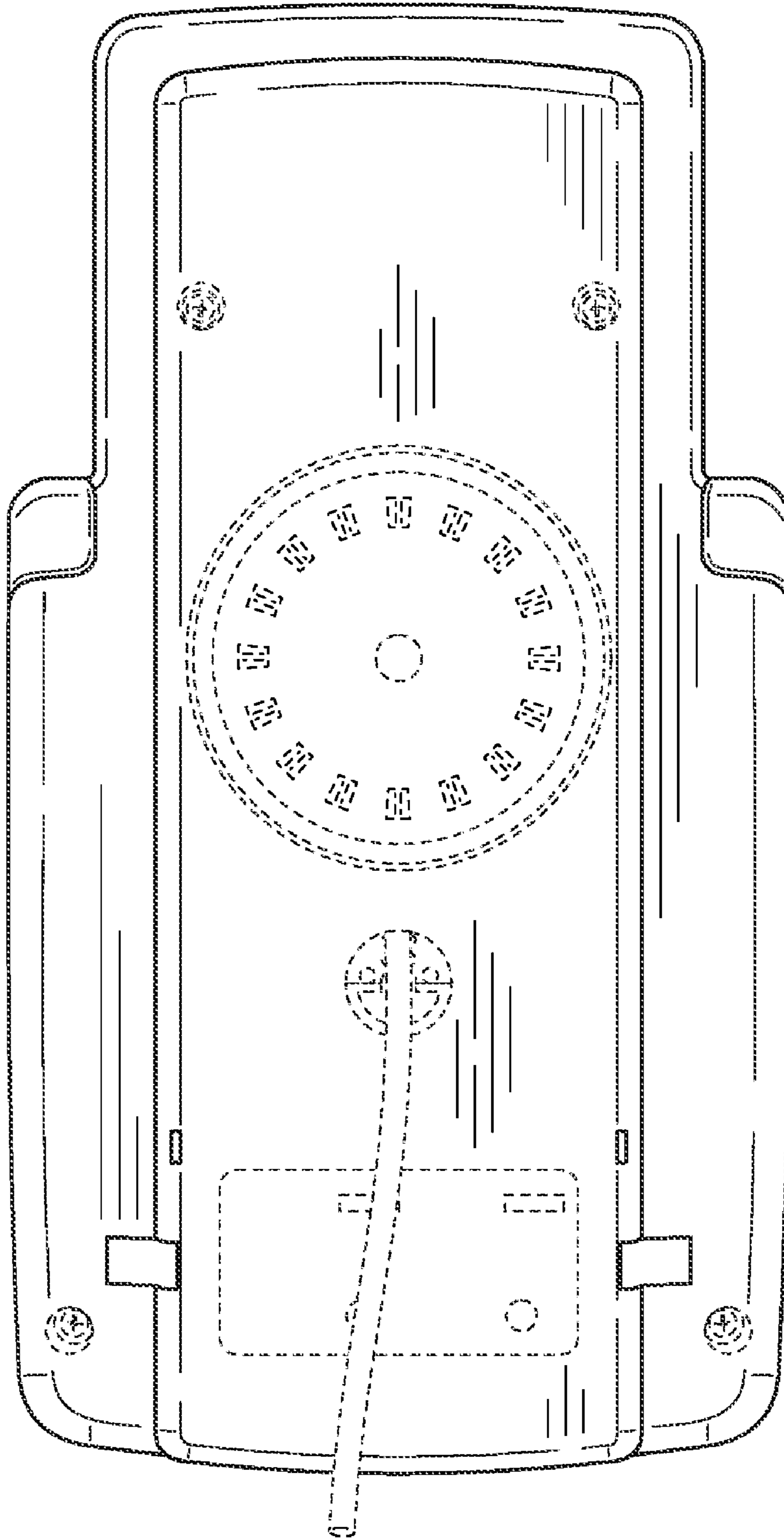


FIG. 3

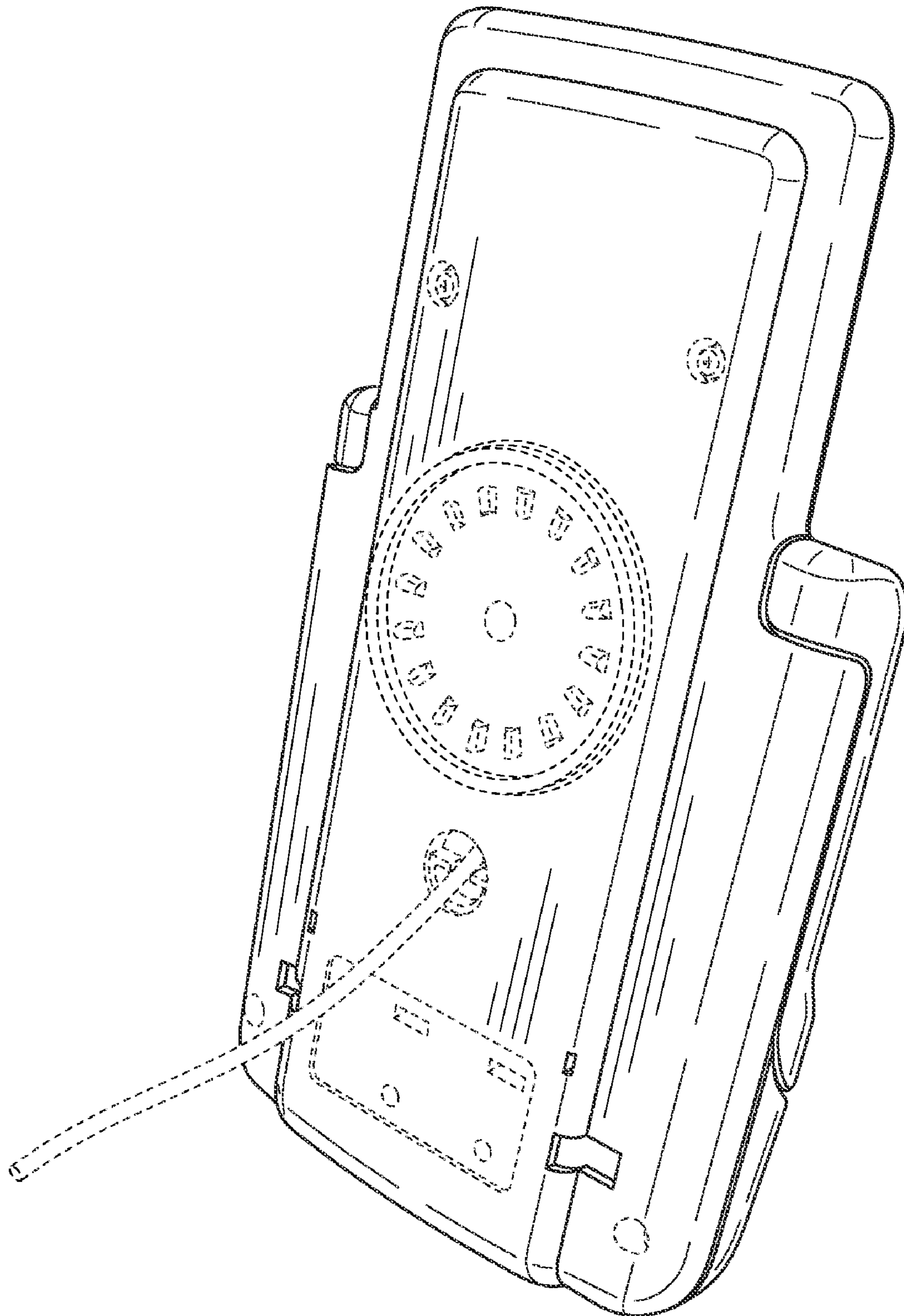


FIG. 4

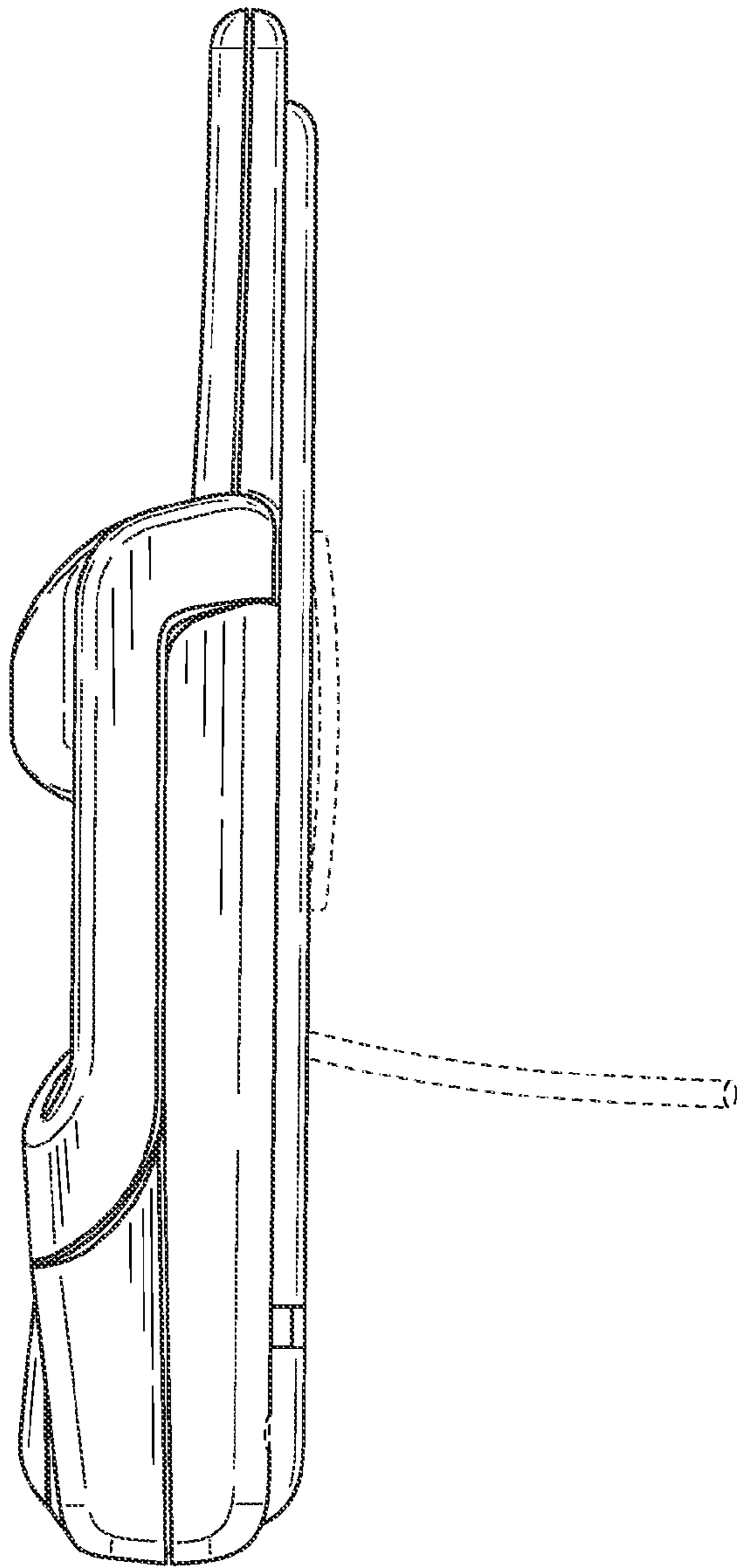


FIG. 5

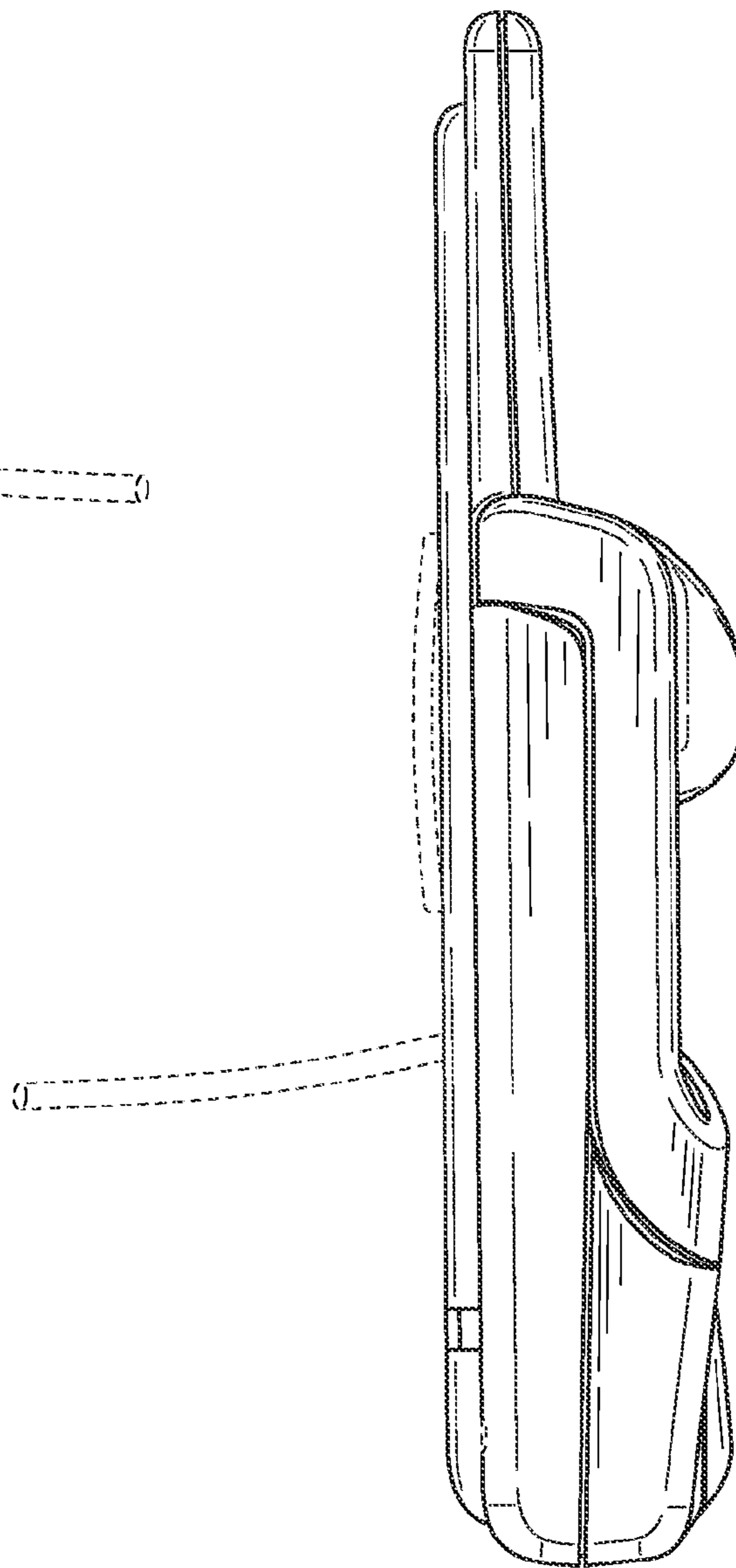


FIG. 6

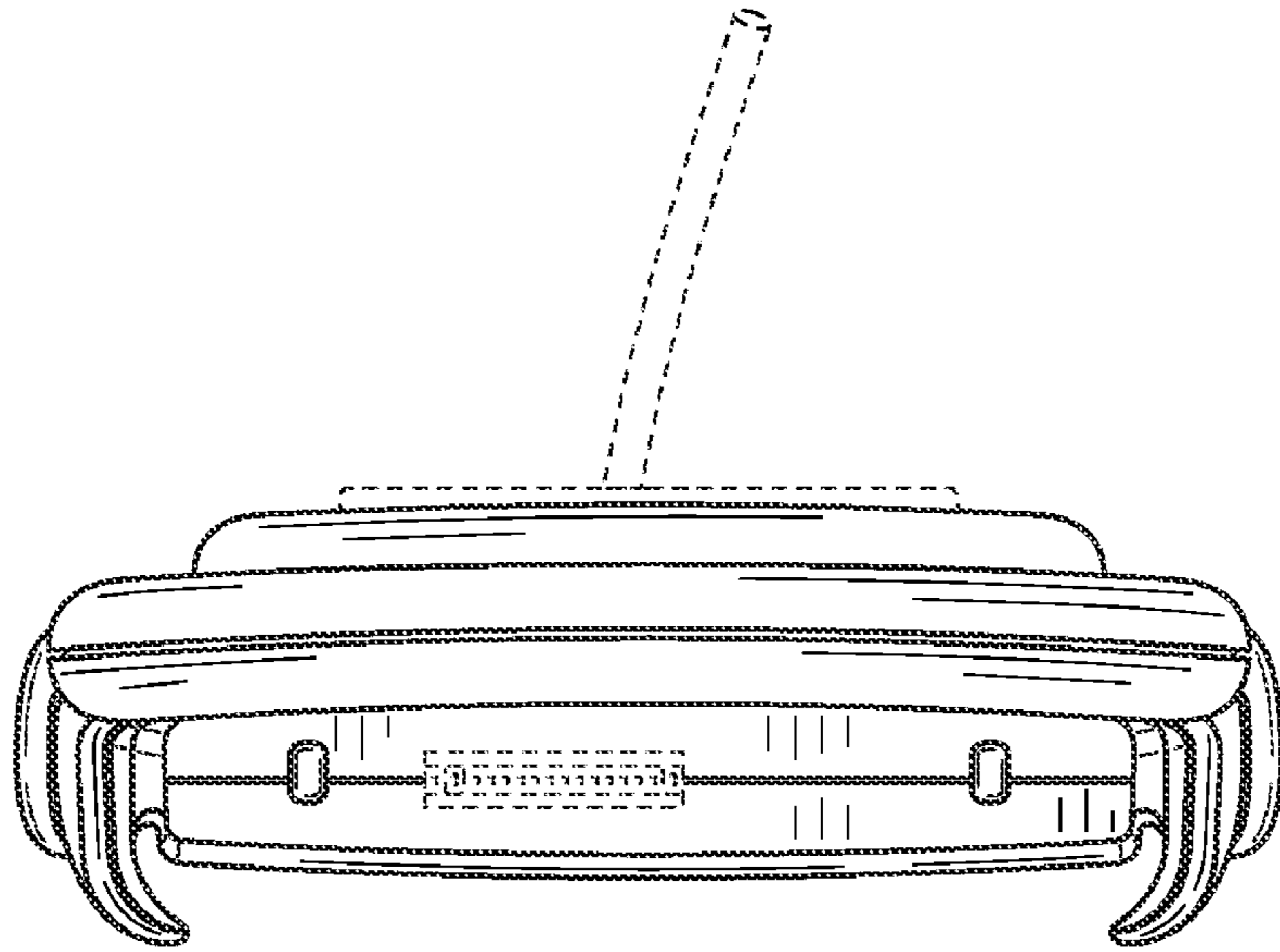


FIG. 7

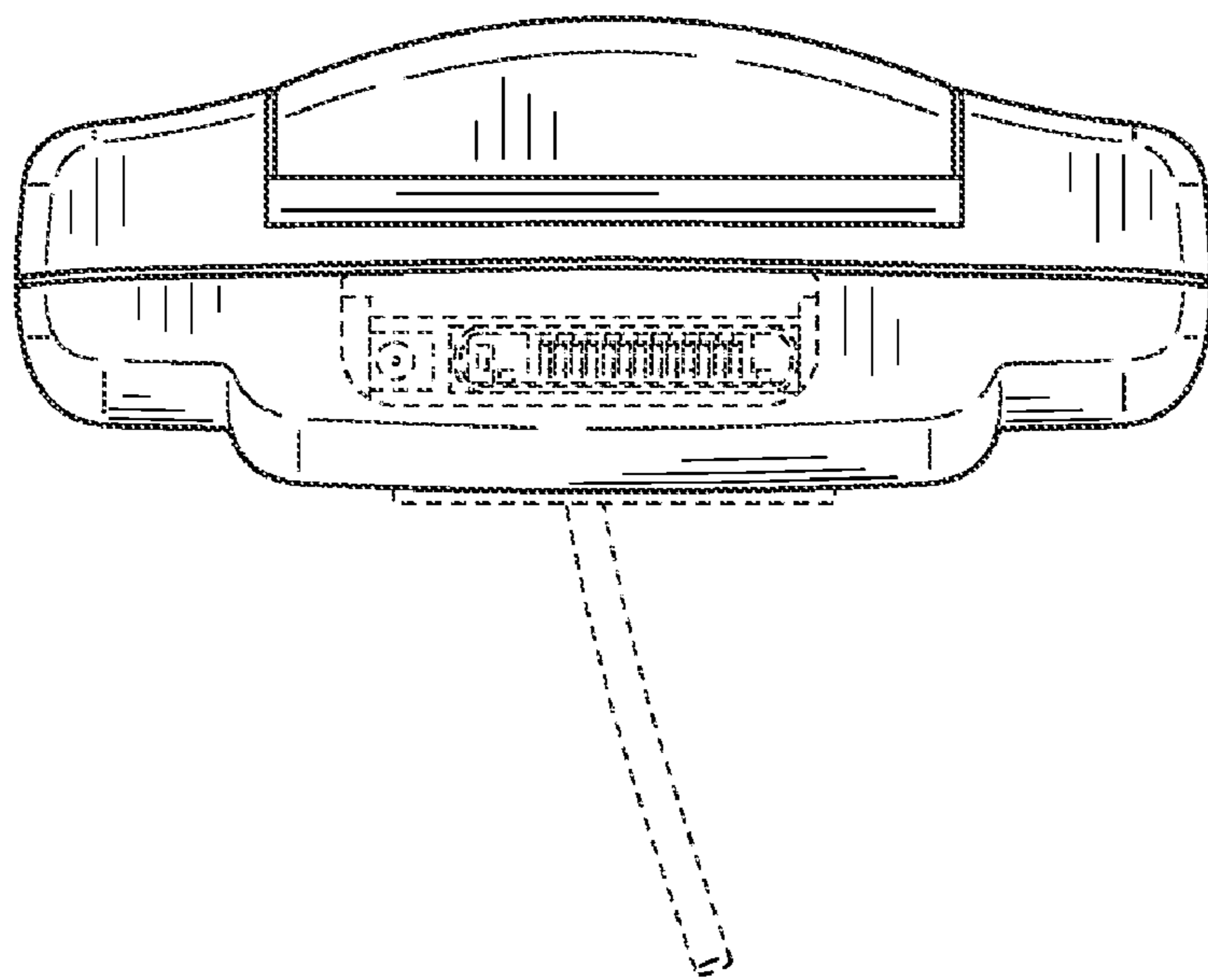


FIG. 8

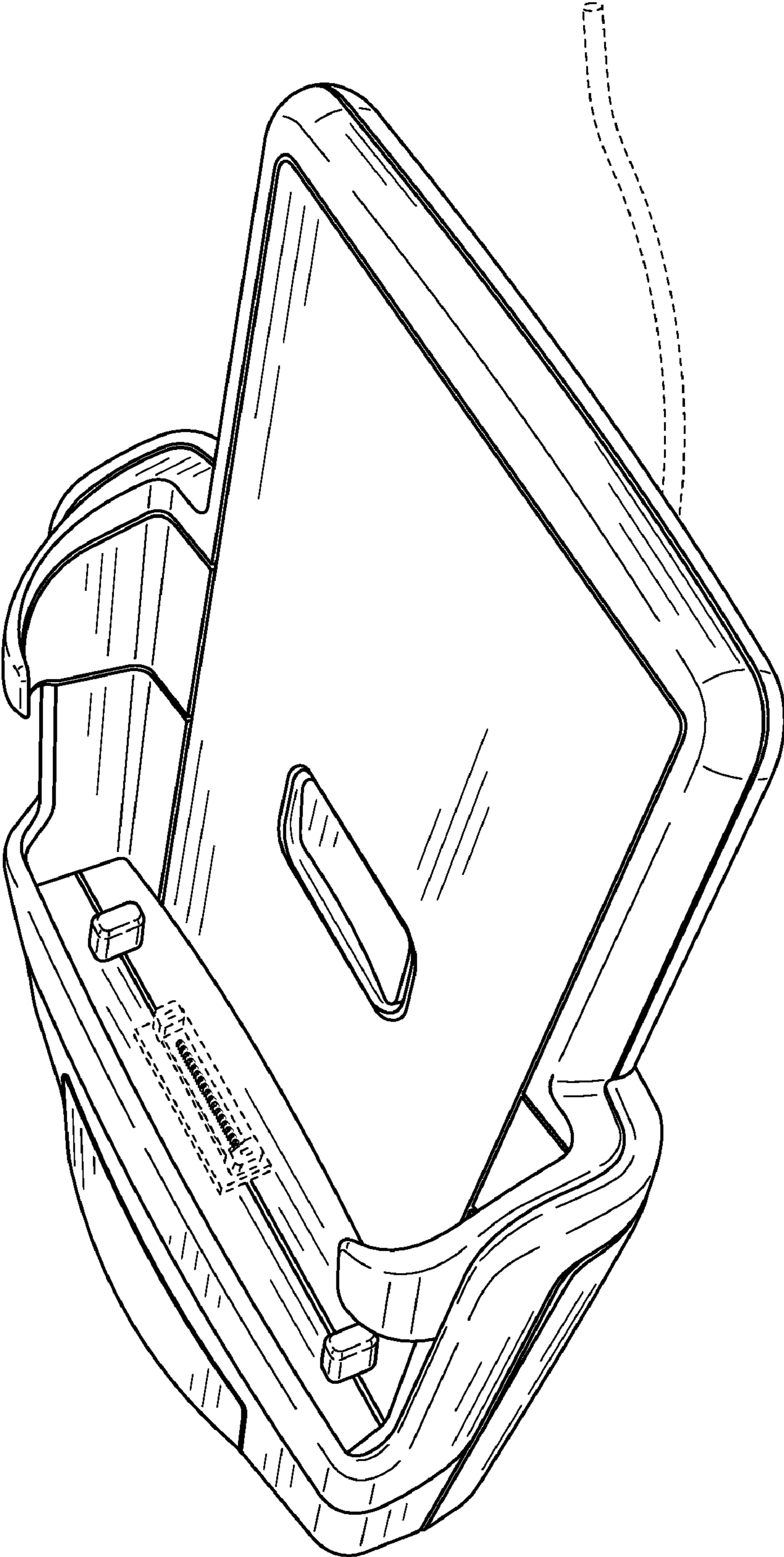


FIG. 9