



US00D577349S

(12) **United States Design Patent**
Choi et al.

(10) **Patent No.:** **US D577,349 S**
(45) **Date of Patent:** **** Sep. 23, 2008**

(54) **MOBILE PHONE**

(75) Inventors: **Hyok-Su Choi**, Yongin-si (KR);
Seung-Min Park, Seoul (KR);
Chang-Hwan Hwang, Goyang-si (KR)

(73) Assignee: **Samsung Electronics Co., Ltd.**,
Suwon-Si (KR)

(**) Term: **14 Years**

(21) Appl. No.: **29/290,031**

(22) Filed: **Oct. 12, 2007**

(30) **Foreign Application Priority Data**

Jul. 20, 2007 (KR) 30-2007-0031496

(51) **LOC (8) Cl.** **14-03**

(52) **U.S. Cl.** **D14/138**

(58) **Field of Classification Search** D14/137,
D14/138, 147, 191, 218, 247-248, 341-347,
D14/496; D10/65, 78, 104; D13/168; D18/7;
455/556.1, 566, 575.1, 575.3; 345/169
See application file for complete search history.

(56) **References Cited**

U.S. PATENT DOCUMENTS

D511,342	S *	11/2005	Chien	D14/346
D530,295	S *	10/2006	Chung et al.	D14/138
D533,565	S *	12/2006	Kim	D14/496
D534,516	S *	1/2007	Lheem	D14/138
D535,275	S *	1/2007	Kim et al.	D14/138
D536,691	S *	2/2007	Park	D14/138
7,200,224	B2 *	4/2007	Park et al.	379/433.13
D544,459	S *	6/2007	Wang	D14/138
D545,289	S *	6/2007	Wang	D14/138
D545,291	S *	6/2007	Chuang et al.	D14/138
D547,743	S *	7/2007	Kim et al.	D14/138
D549,204	S *	8/2007	Cho	D14/138
D549,205	S *	8/2007	Cho	D14/138
D551,201	S *	9/2007	Kim et al.	D14/138

7,269,450	B2 *	9/2007	Lee et al.	455/575.1
D554,096	S *	10/2007	Cho et al.	D14/138
D559,220	S *	1/2008	Lee et al.	D14/138
D563,369	S *	3/2008	Kim et al.	D14/138
D563,929	S *	3/2008	Park	D14/138
D564,490	S *	3/2008	Kim et al.	D14/138
D565,042	S *	3/2008	Scales et al.	D14/248
2004/0259592	A1 *	12/2004	Taneya et al.	455/556.1
2005/0104856	A1 *	5/2005	Jacobs et al.	345/169
2005/0250532	A1 *	11/2005	Hwang et al.	455/550.1
2006/0063569	A1 *	3/2006	Jacobs et al.	455/575.1
2008/0064448	A1 *	3/2008	Huang	455/566

OTHER PUBLICATIONS

Sharp TM100, announced 1st quarter 2004, [online], [retrieved on Feb. 20, 2007]. Retrieved from Internet ,<URL: http://www.gsmarena.com>.*

(Continued)

Primary Examiner—Jeffrey D. Asch
Assistant Examiner—Bridget L Eland
(74) *Attorney, Agent, or Firm*—Staas & Halsey LLP

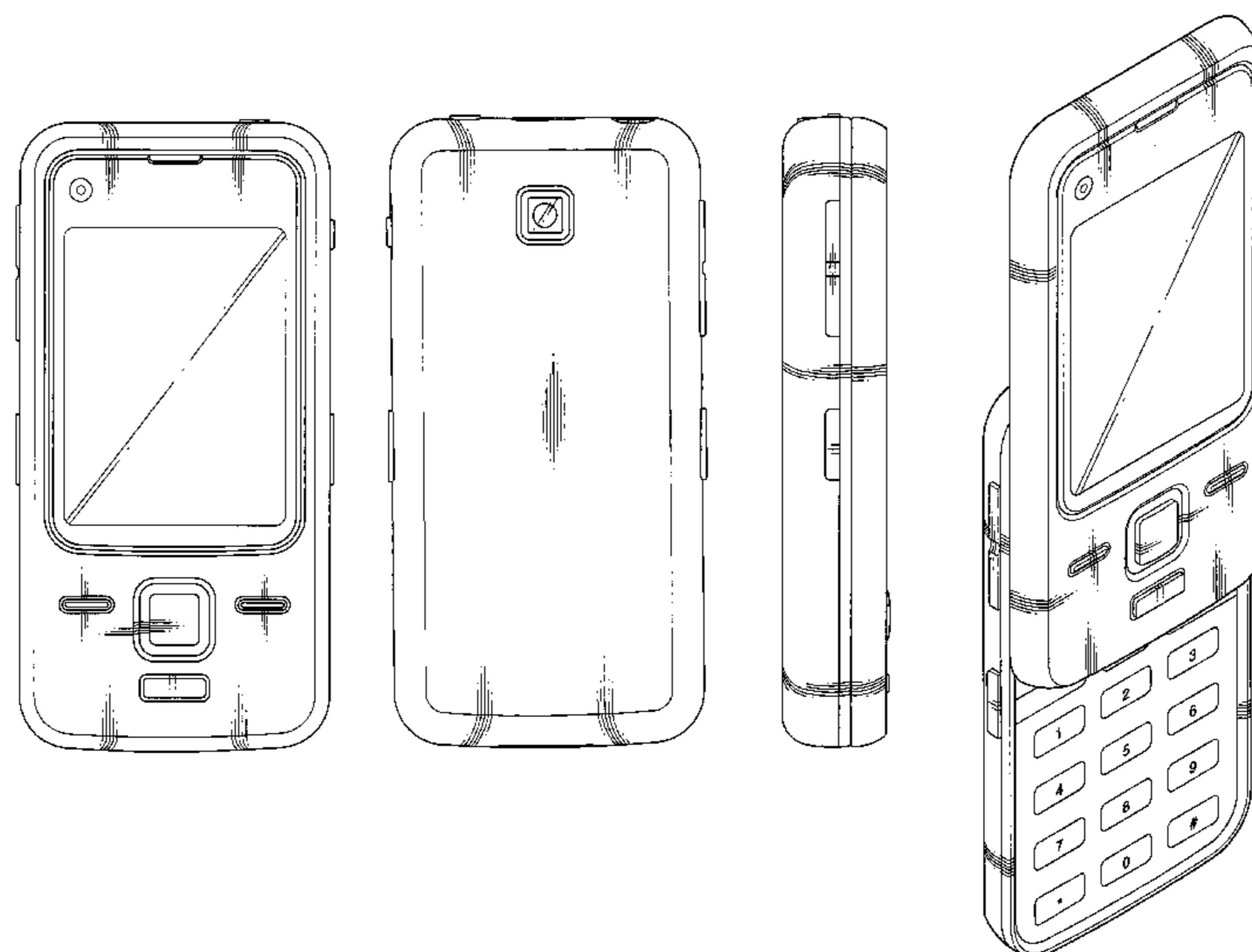
(57) **CLAIM**

The ornamental design for a mobile phone, as shown and described.

DESCRIPTION

FIG. 1 is a perspective view of a mobile phone;
FIG. 2 is a front view of the mobile phone of FIG. 1;
FIG. 3 is a rear view of the mobile phone of FIG. 1;
FIG. 4 is left-side of the mobile phone of FIG. 1;
FIG. 5 is right-side of the mobile phone of FIG. 1;
FIG. 6 is top plan view of the mobile phone of FIG. 1;
FIG. 7 is bottom plan view of the mobile phone of FIG. 1; and,
FIG. 8 is an open perspective view of the mobile phone of FIG. 1.

1 Claim, 6 Drawing Sheets



OTHER PUBLICATIONS

Philips 960, announced Jul. 2005, [online], [retrieved on Feb. 20, 2007]. Retrieved from Internet ,<URL: <http://www.gsmarena.com>>.*

Asus P535, announced Nov. 2006, [online], [retrieved on Feb. 20, 2007]. Retrieved from Internet ,<URL: <http://www.gsmarena.com>>.*

Samsung F700, announced Feb. 2007, [online], [retrieved on Feb. 8, 2007]. Retrieved from Internet ,<URL: <http://www.gsmarena.com>>.*

HTC P3600i, announced Aug. 2007, [online], [retrieved on Dec. 13, 2007]. Retrieved from Internet ,<URL: <http://www.gsmarena.com>>.*

Sagem my721z, announced Feb. 2008, [online], [retrieved on Mar. 21, 2008]. Retrieved from Internet ,<URL: <http://www.gsmarena.com>>.*

Sony Ericsson T303, announced Mar. 2008, [online], [retrieved on Mar. 21, 2008]. Retrieved from Internet ,<URL: <http://www.gsmarena.com>>.*

Eten glofish M810, announced Apr. 2008, [online], [retrieved on Apr. 18, 2008]. Retrieved from Internet ,<URL: <http://www.gsmarena.com>>.*

* cited by examiner

FIG. 1

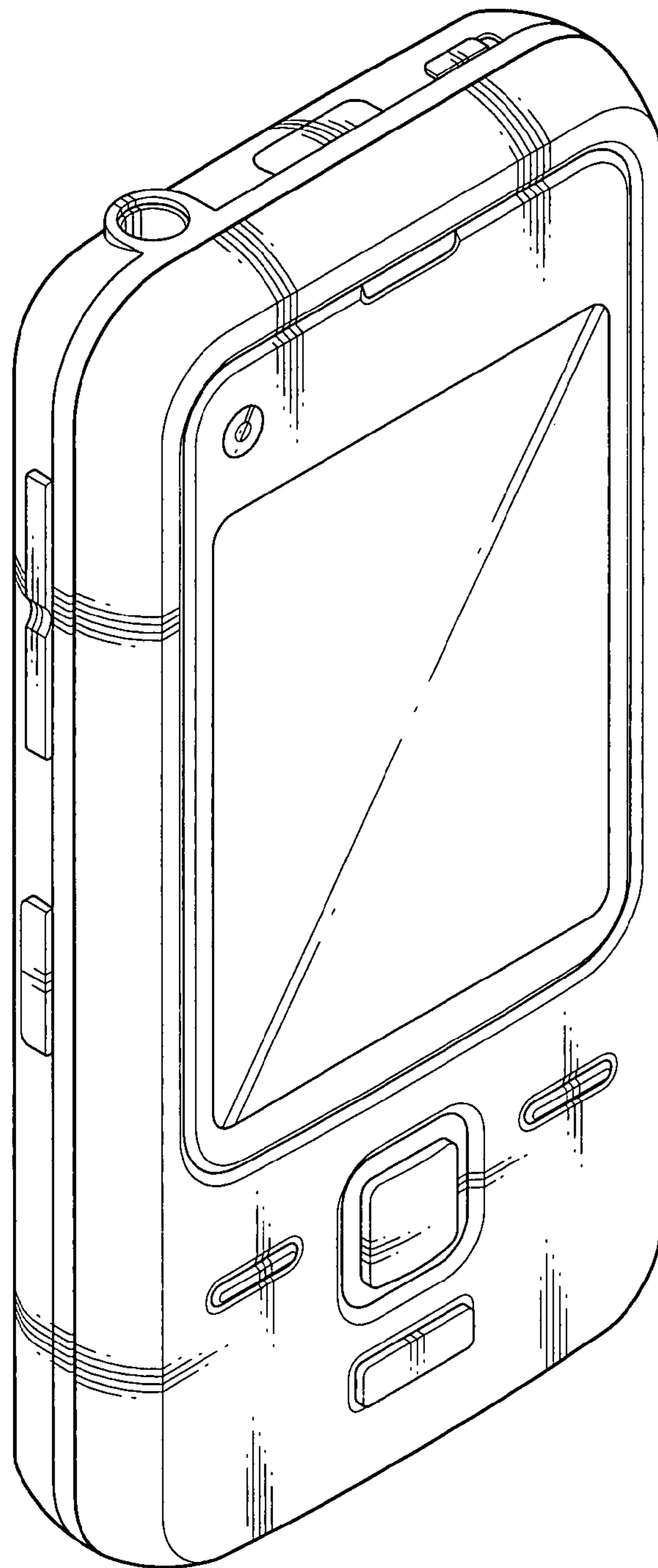


FIG. 2

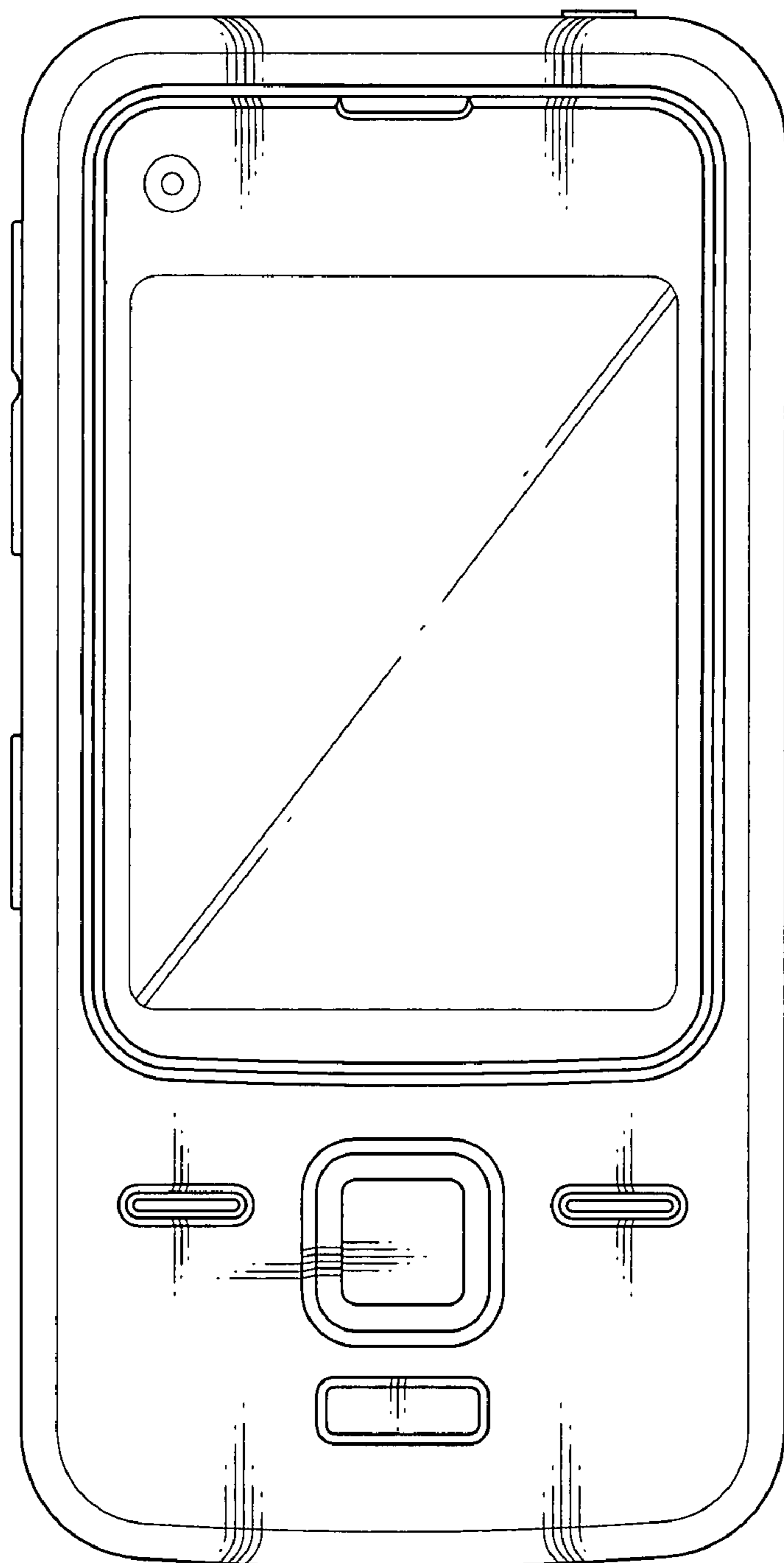


FIG. 3

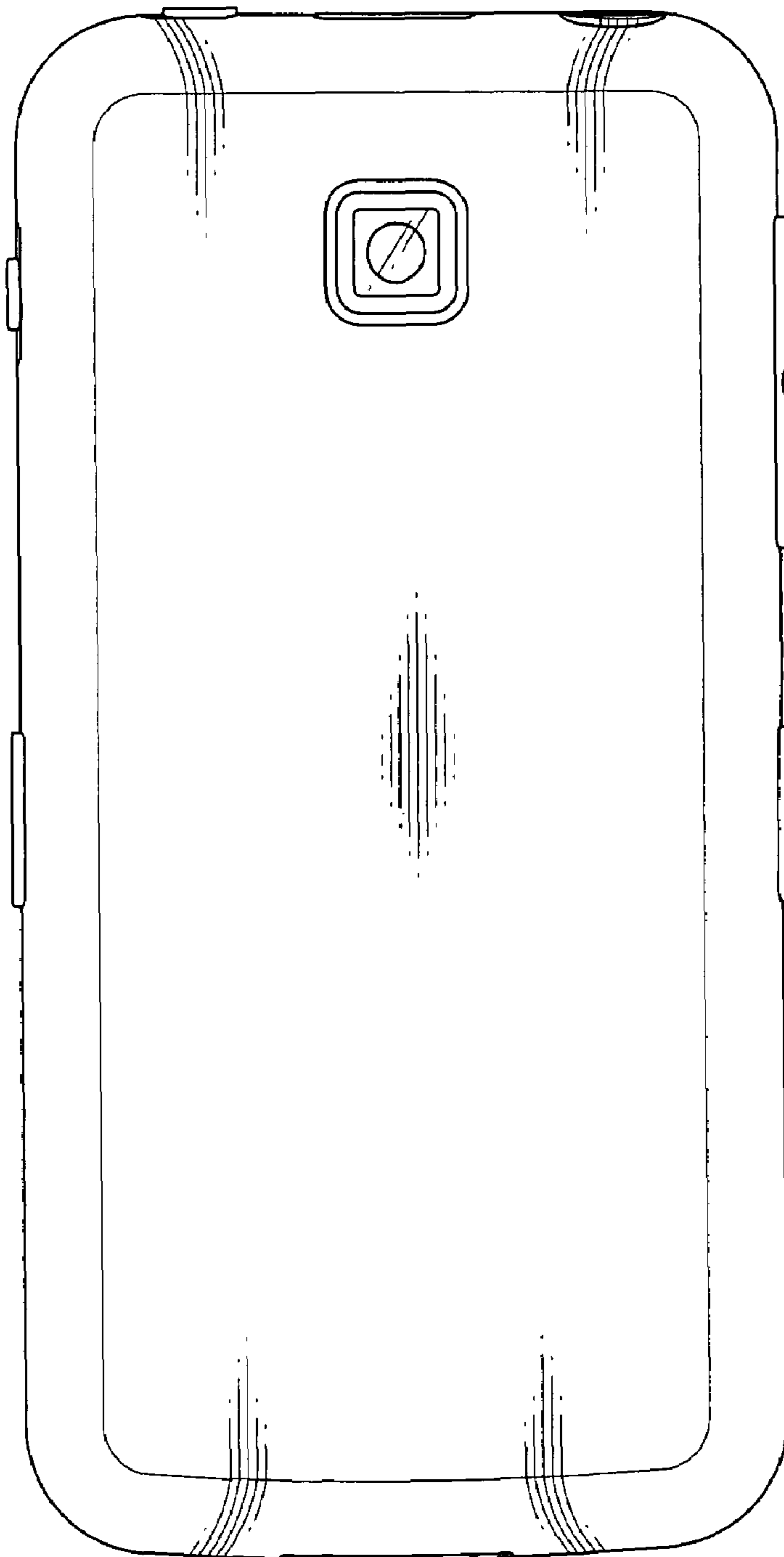


FIG. 4

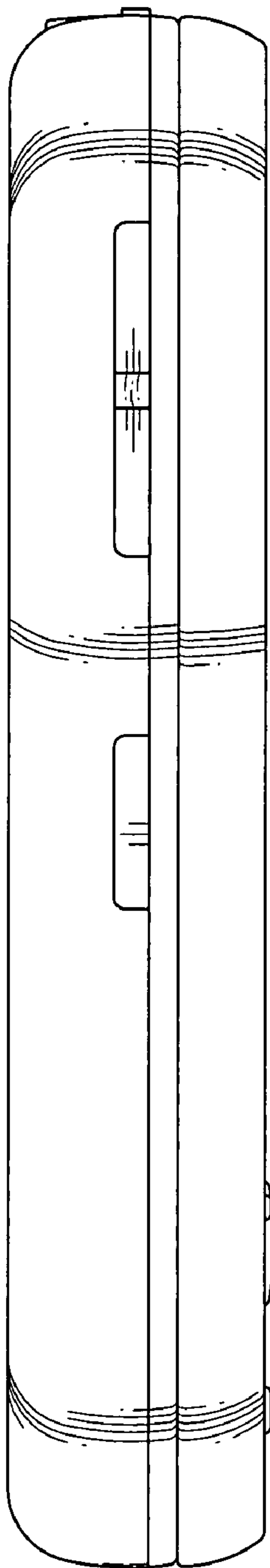


FIG. 5

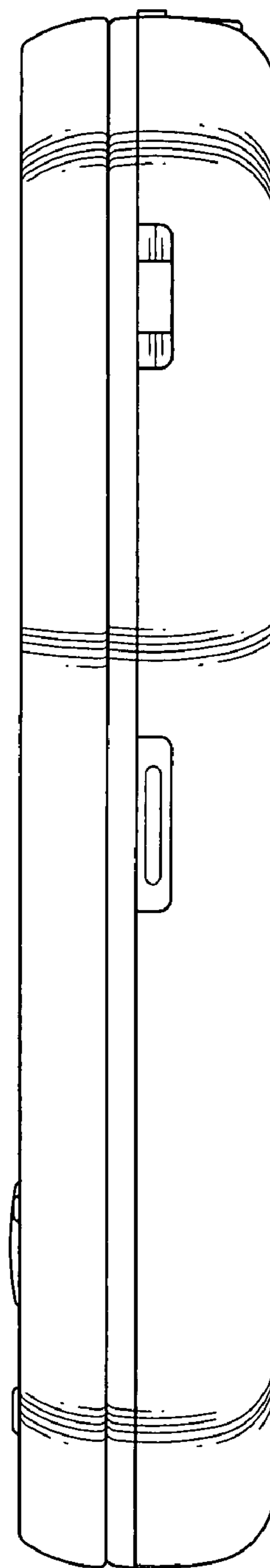


FIG. 6

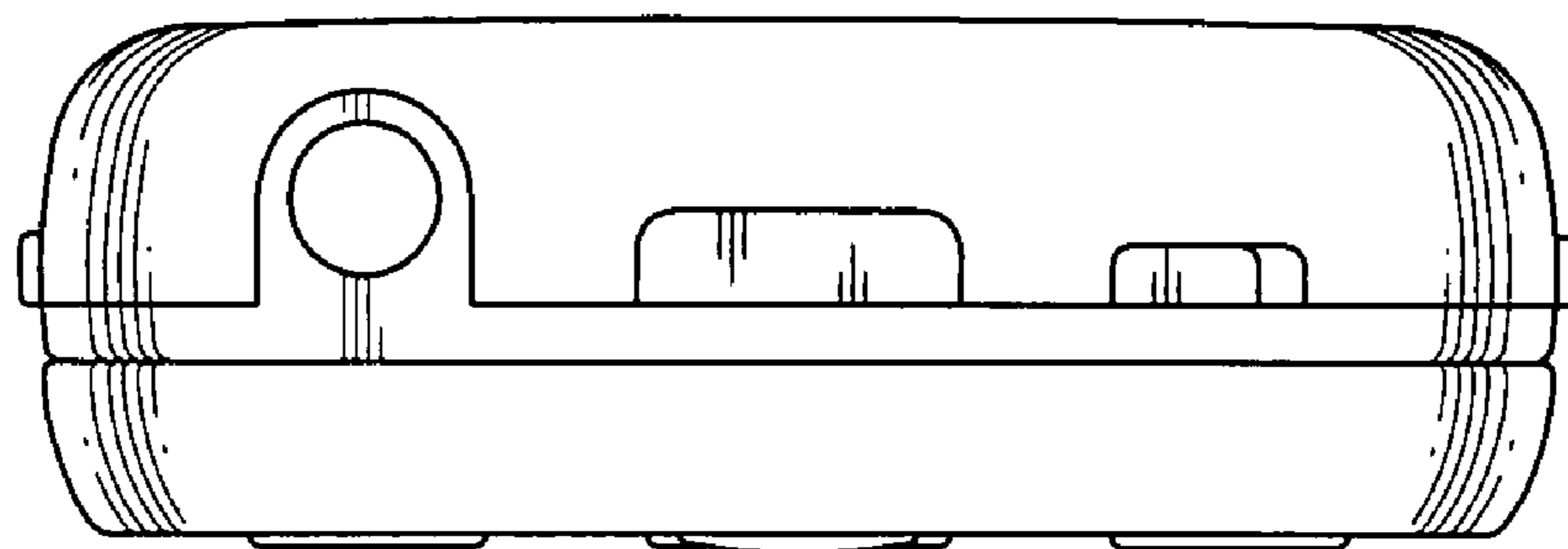


FIG. 7

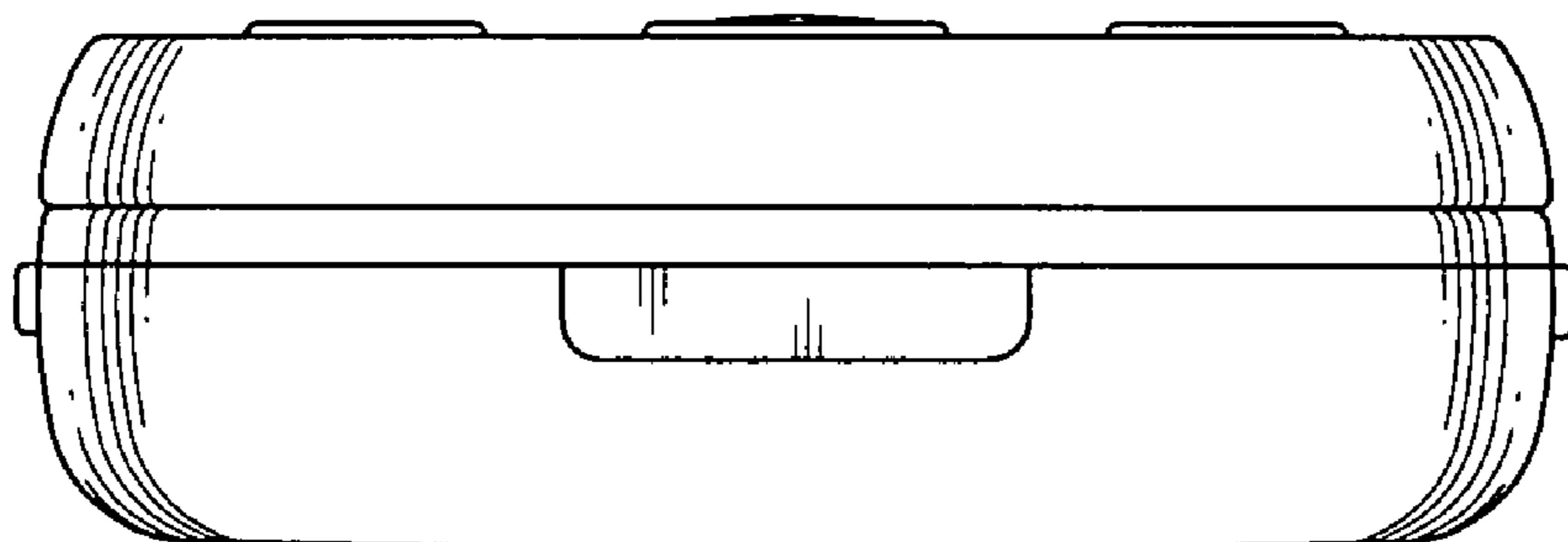


FIG. 8

