



US00D577344S

(12) **United States Design Patent**  
**Hacker et al.**

(10) **Patent No.:** **US D577,344 S**  
(45) **Date of Patent:** **\*\* Sep. 23, 2008**

(54) **MONITOR**

(75) Inventors: **Thomas G. Hacker**, Anaheim, CA (US);  
**David Allen Farman**, Placentia, CA  
(US); **Kevin Arthur Hoffman**, Lake  
Forest, CA (US); **Lynn Selawski**, Aliso  
Viejo, CA (US); **Eric Gregory Schmid**,  
Culver City, CA (US); **Greg Michael**  
**Rebuldela**, Chelsea, MI (US); **Paul**  
**Trotman Kirley**, Los Angeles, CA (US);  
**Stuart A. Karten**, Venice, CA (US);  
**Michael Rocha**, Playa del Rey, CA (US)

(73) Assignee: **Terumo Cardiovascular Systems**  
**Corporation**

(\*\*) Term: **14 Years**

(21) Appl. No.: **29/250,400**

(22) Filed: **Nov. 13, 2006**

(51) **LOC (8) Cl.** ..... **14-03**

(52) **U.S. Cl.** ..... **D14/126**

(58) **Field of Classification Search** ..... D14/125-134,  
D14/239, 371, 136, 374-377, 440, 450, 448,  
D14/336, 342; 312/7.2; 348/836, 838, 180,  
348/184, 325, 739; 341/12; 248/917-924,  
248/465; 345/104, 133, 156, 168, 87, 173;  
720/605, 669, 600, 655; 369/99, 197; 455/344-347;  
D21/329, 515, 577, 622, 333, 433, 448, 452,  
D21/450, 331; D6/477, 479; 273/148 B;  
446/484, 175, 356; D10/15, 26  
See application file for complete search history.

(56) **References Cited**

**U.S. PATENT DOCUMENTS**

D342,497 S \* 12/1993 Saito et al. .... D14/126

D357,244 S \* 4/1995 Usami et al. .... D14/126  
D357,472 S \* 4/1995 Usami et al. .... D14/126  
D372,026 S \* 7/1996 Akiyama et al. .... D14/126  
D373,583 S \* 9/1996 Akiyama et al. .... D14/126  
D377,010 S \* 12/1996 Usui et al. .... D14/126

\* cited by examiner

*Primary Examiner*—Raphael Barkai

(74) *Attorney, Agent, or Firm*—Gael Diane Tisack Fish &  
Richardson; James Babineam

(57) **CLAIM**

The ornamental design for a monitor, as shown and described.

**DESCRIPTION**

FIG. 1 is a perspective view of a monitor from the side,  
showing our design;

FIG. 2 is a front view of the apparatus thereof;

FIG. 3 is a back view of the apparatus thereof;

FIG. 4 is a right side view of the apparatus thereof;

FIG. 5 is a left side view of the apparatus thereof;

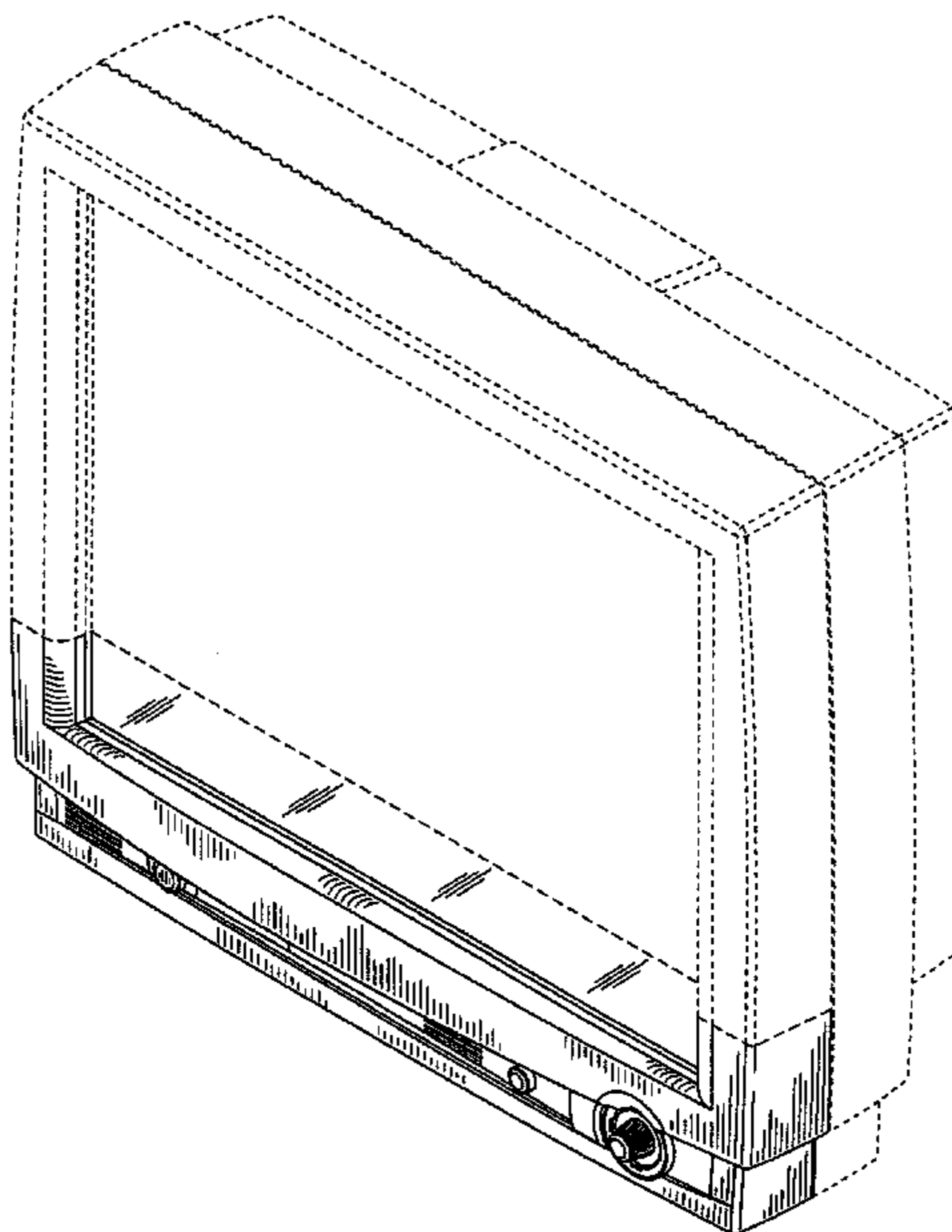
FIG. 6 is a top plan view of the apparatus thereof; and,

FIG. 7 is a bottom plan view of the apparatus thereof.

The broken lines shown which define the bounds of the  
claimed design form no part thereof.

The broken lines shown in the drawings are for illustrative  
purposes only and form no part of the claimed design.

**1 Claim, 5 Drawing Sheets**



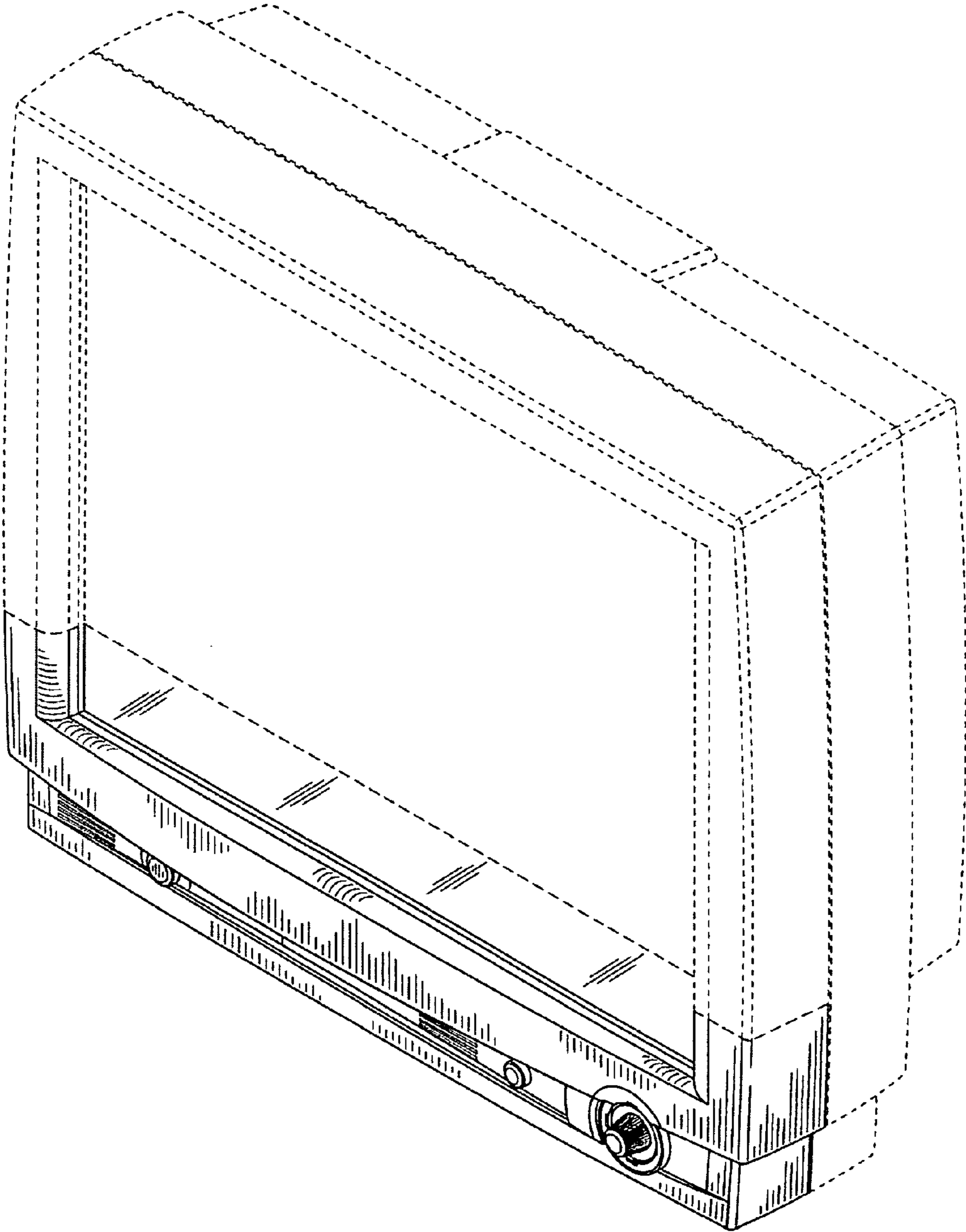


FIG. 1

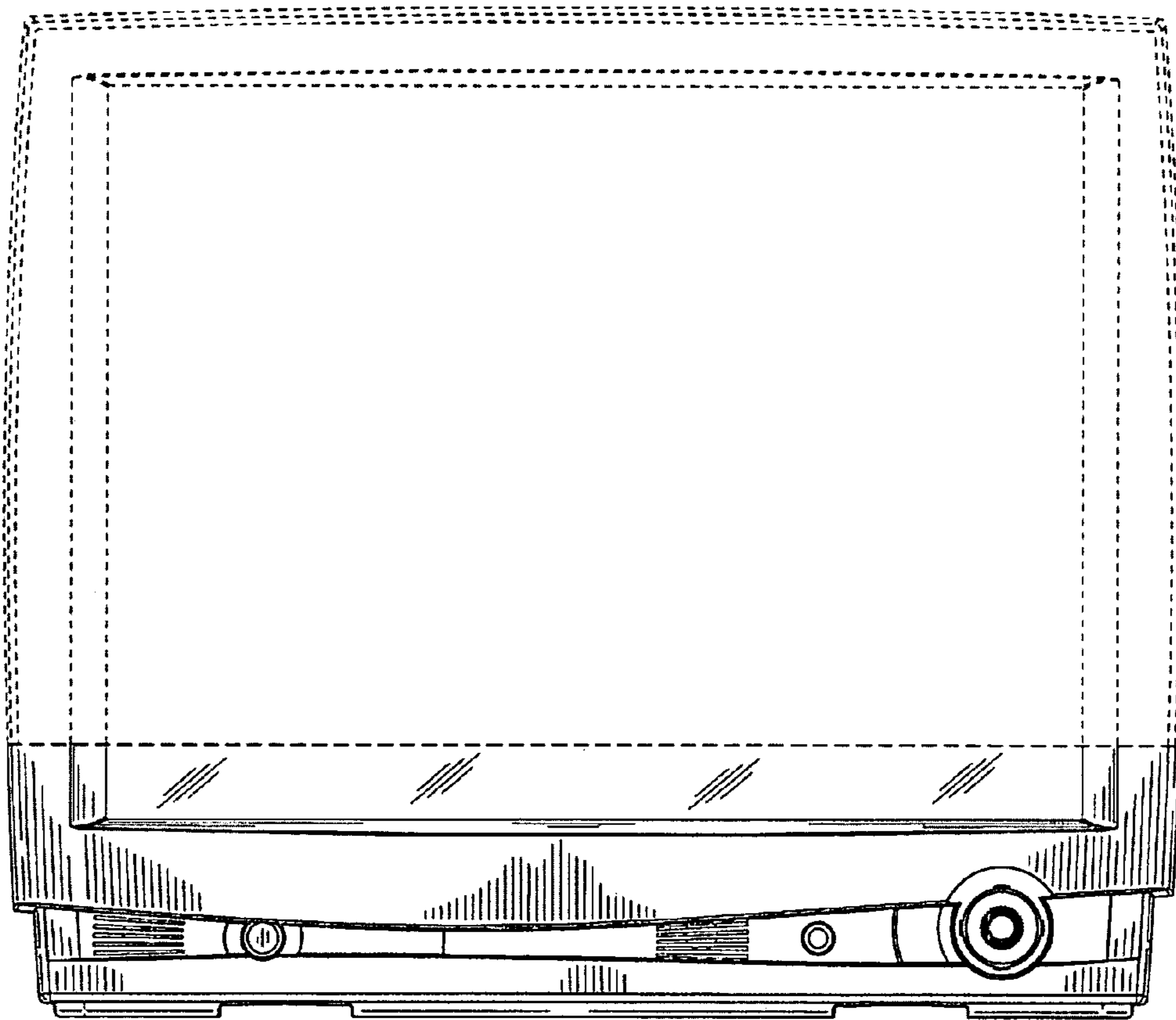


FIG. 2

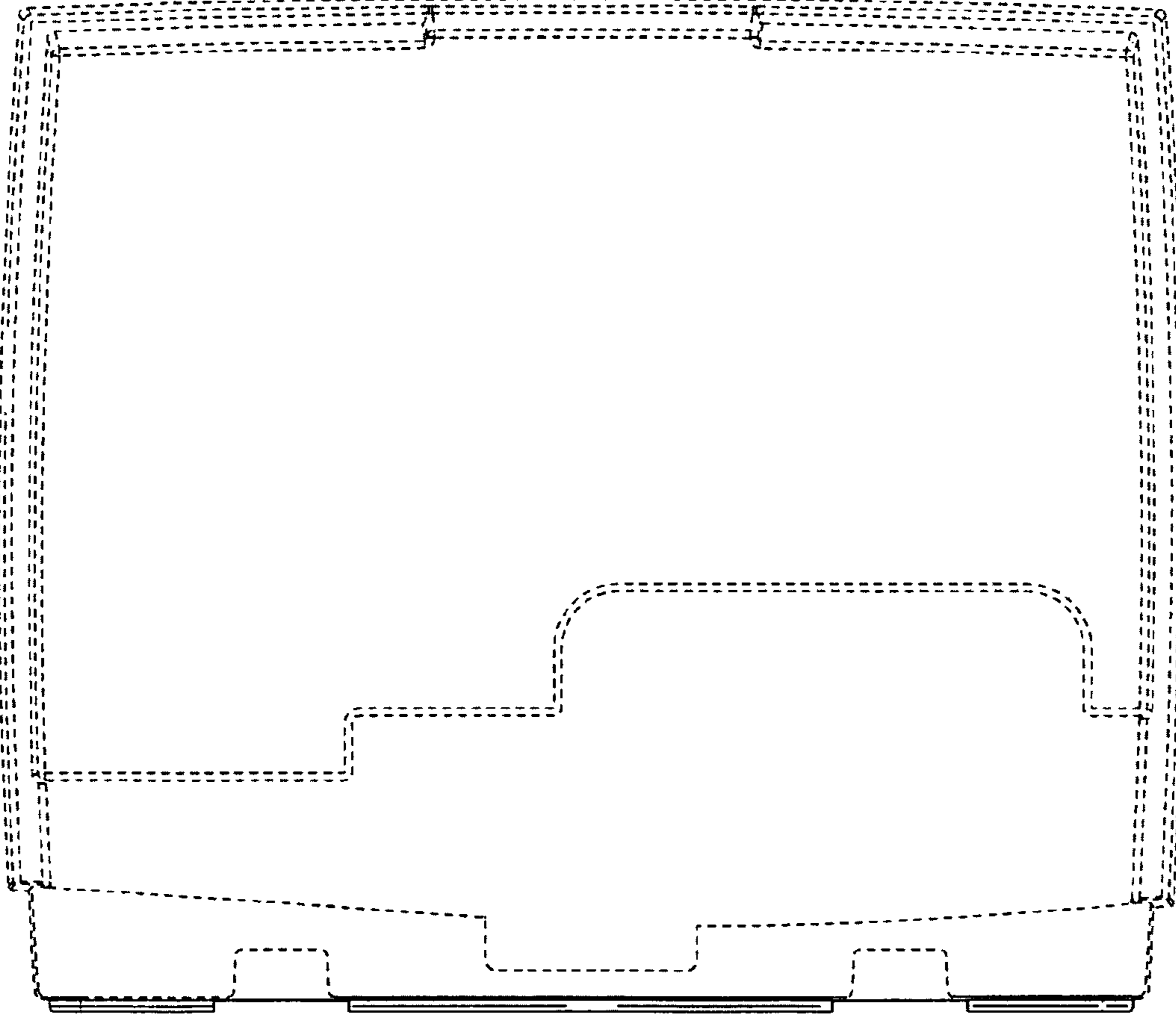


FIG. 3

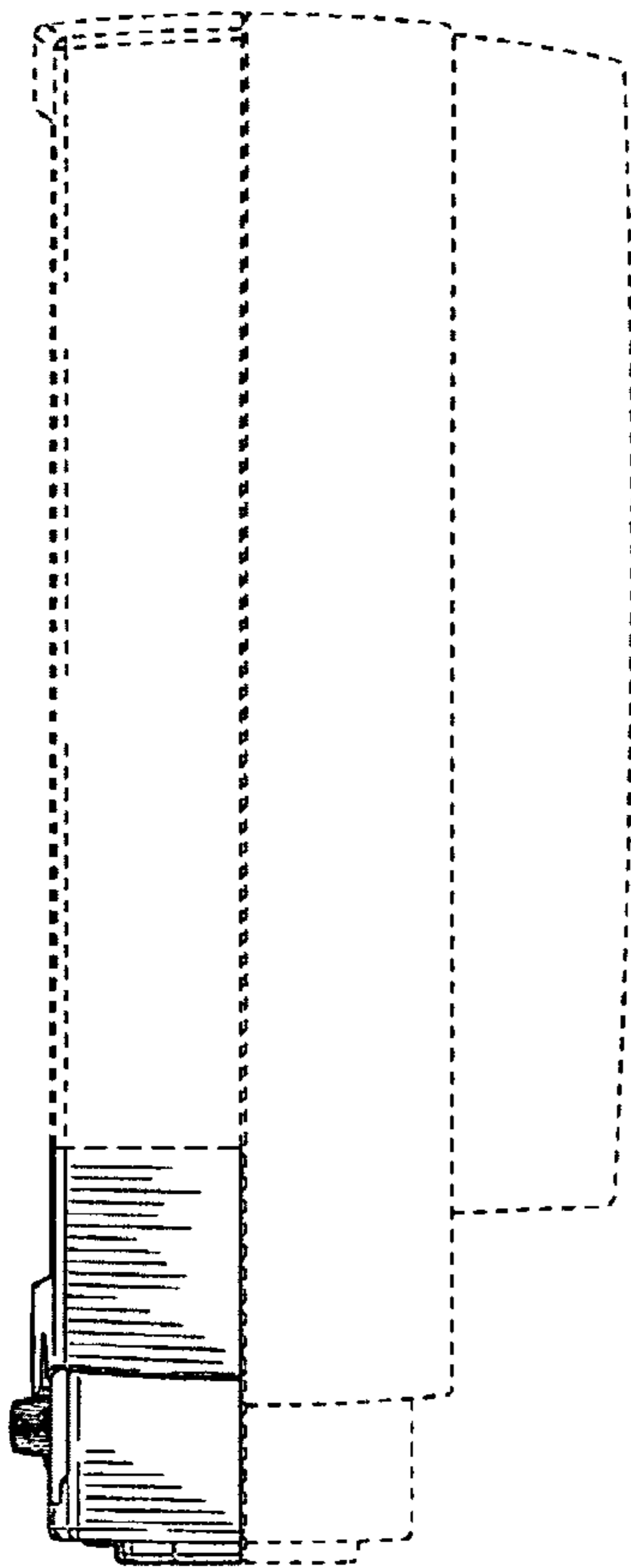


FIG. 4

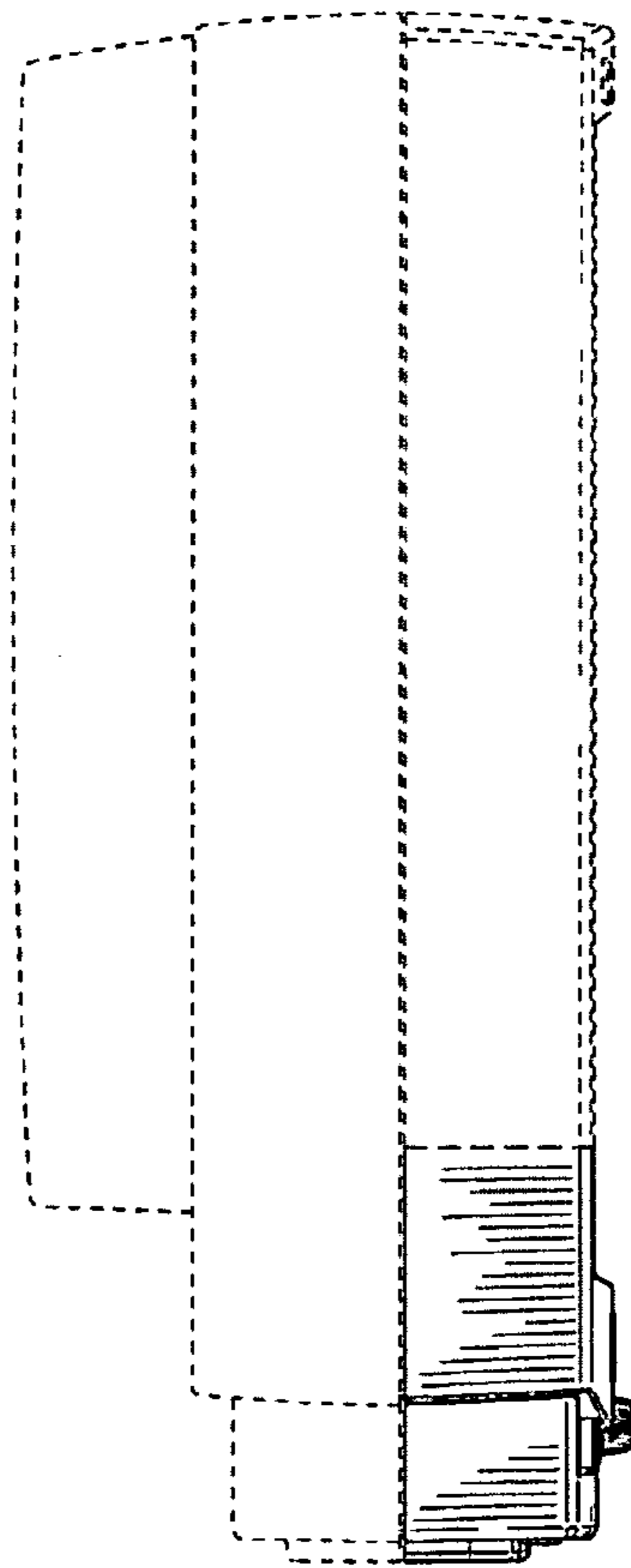


FIG. 5

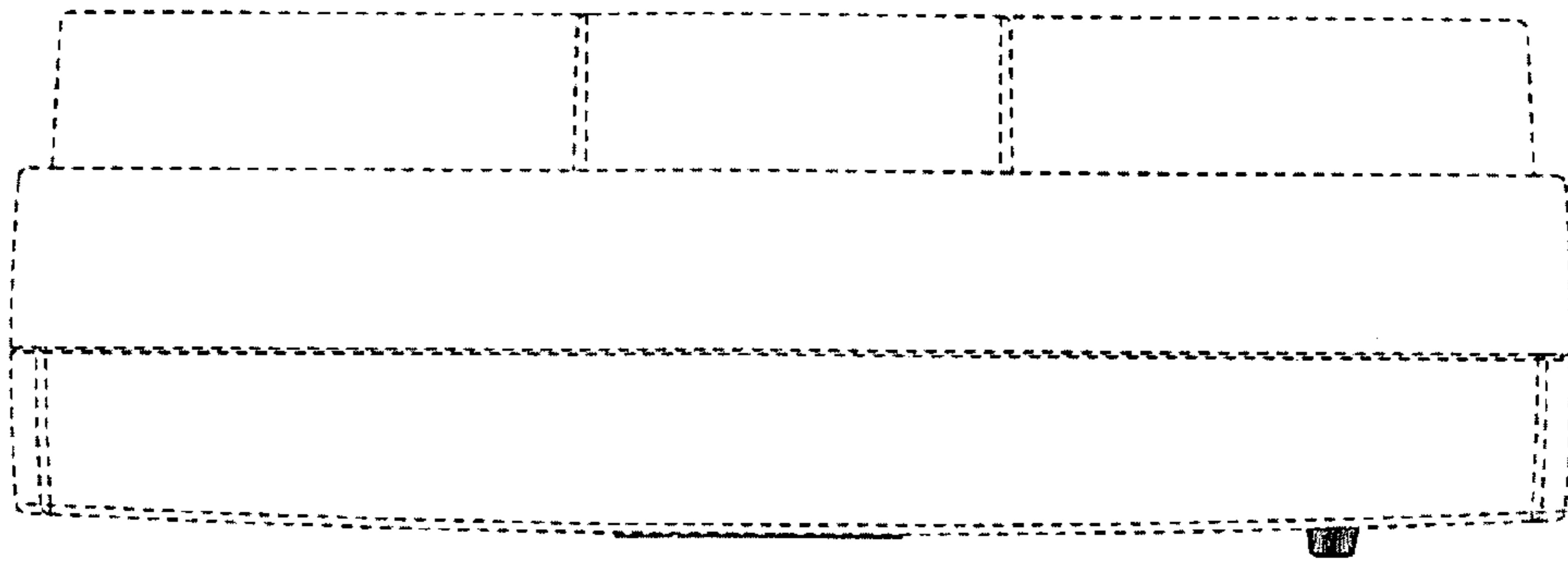


FIG. 6

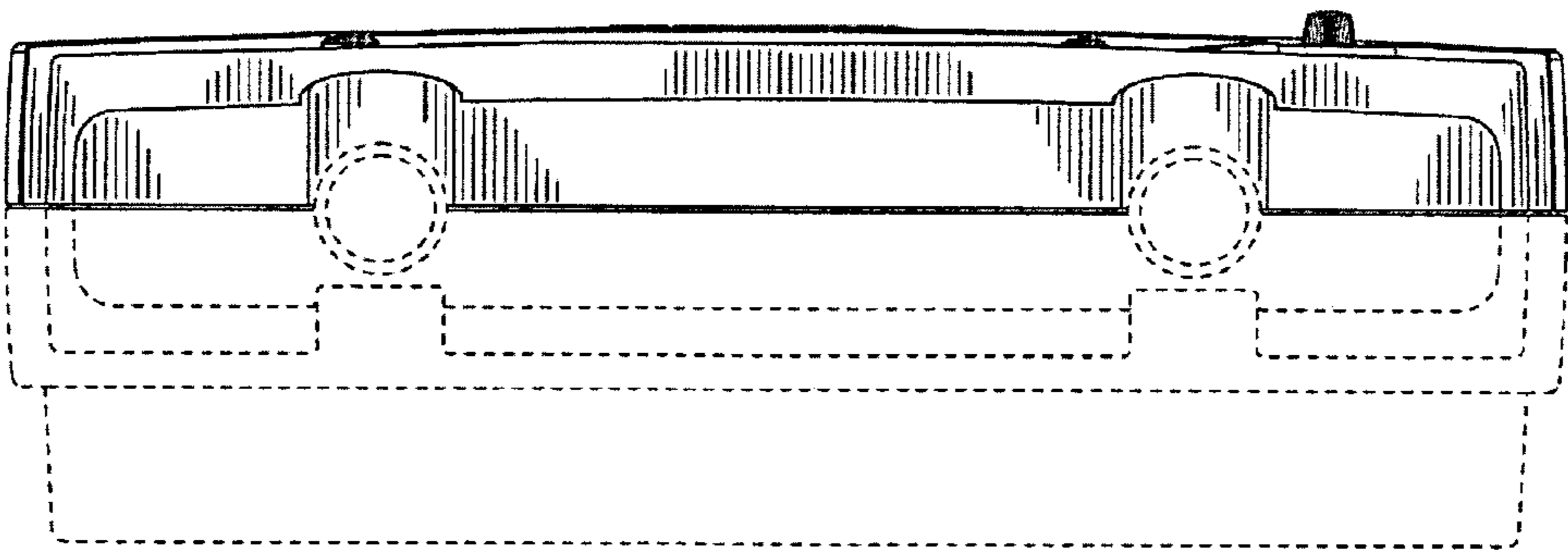


FIG. 7