



US00D577343S

(12) **United States Design Patent**  
**Askeland et al.**

(10) **Patent No.:** **US D577,343 S**

(45) **Date of Patent:** **\*\* Sep. 23, 2008**

(54) **PORTION OF A CONNECTOR PLUG**

(75) Inventors: **Roy J. Askeland**, Los Altos, CA (US);  
**Vinicio Manfrini**, Sammamish, WA  
(US)

(73) Assignee: **Microsoft Corporation**, Redmond, WA  
(US)

(\*\*) Term: **14 Years**

(21) Appl. No.: **29/303,740**

(22) Filed: **Feb. 15, 2008**

(51) **LOC (8) Cl.** ..... **13-03**

(52) **U.S. Cl.** ..... **D13/154**

(58) **Field of Classification Search** ..... D13/133,  
D13/146-154, 184, 199; 439/108, 151, 152,  
439/266, 347-358, 374, 378, 379, 476.1,  
439/594-600, 606-610, 668, 676-680  
See application file for complete search history.

(56) **References Cited**

**U.S. PATENT DOCUMENTS**

D195,171 S	5/1963	Keiter
D210,533 S	3/1968	Pauza
D234,771 S	4/1975	Saunders
D241,942 S	10/1976	Sheesly et al.
4,188,080 A	2/1980	Streble
D272,061 S	1/1984	Moriai et al.
D308,513 S	6/1990	Endo et al.
D310,993 S	10/1990	Ohkura et al.
D319,043 S	8/1991	Hayashi et al.
D323,141 S	1/1992	Sueyoshi et al.
D323,152 S	1/1992	Nagasaka et al.
D328,278 S	7/1992	Nagasaka et al.
5,268,982 A	12/1993	Schaffer et al.
5,342,221 A	8/1994	Peterson

D366,646 S	1/1996	Carr
5,651,697 A	7/1997	Cinquegrani et al.
D389,121 S	1/1998	Kuprewicz et al.
D410,629 S	6/1999	Bandura et al.
D413,302 S	8/1999	Sekiguchi et al.
D420,646 S	2/2000	Liao
6,022,246 A	2/2000	Ko
D426,194 S	6/2000	Ko et al.
D427,149 S	6/2000	Konno et al.
6,135,815 A	10/2000	Ko et al.
6,135,822 A	10/2000	Hwang
6,159,054 A	12/2000	Ko

(Continued)

**OTHER PUBLICATIONS**

Picture of Microsoft Xbox 360 Power Supply Cable, 3 sheets.

(Continued)

*Primary Examiner*—Brian N Vinson  
(74) *Attorney, Agent, or Firm*—Banner & Witcoff, Ltd.

(57) **CLAIM**

The ornamental design for a portion of a connector plug, as shown and described.

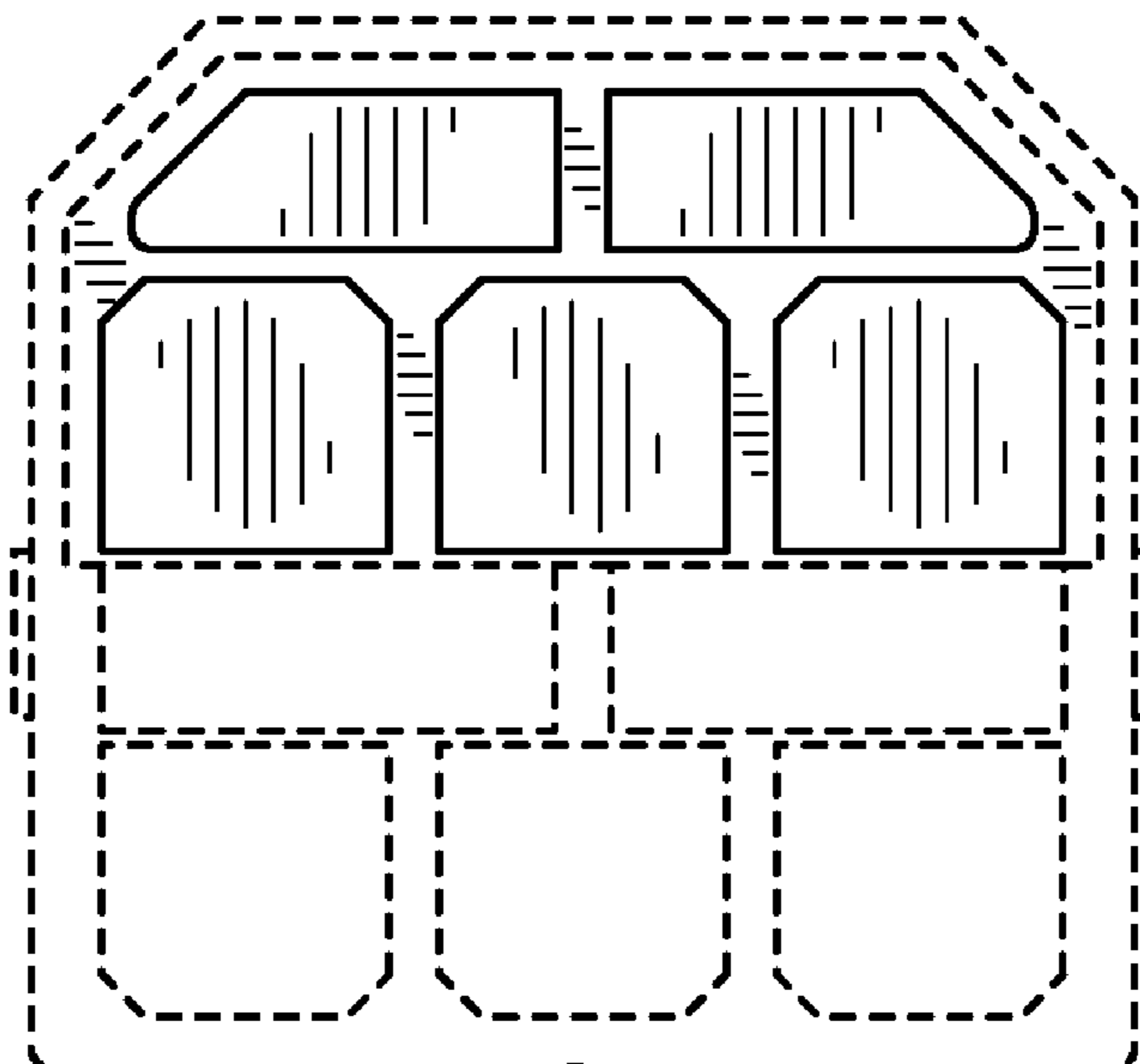
**DESCRIPTION**

FIG. 1 is a front view of a connector plug showing our new design; and,

FIG. 2 is a perspective view thereof.

The broken line showing of the remainder of the connector plug is for illustrative purposes only and forms no part of the claimed design.

**1 Claim, 1 Drawing Sheet**



U.S. PATENT DOCUMENTS

6,168,475 B1 1/2001 Ko  
6,183,287 B1 2/2001 Po  
6,200,168 B1 3/2001 Ko  
RE37,296 E 7/2001 Peterson  
D476,624 S 7/2003 Watanabe et al.  
D478,321 S 8/2003 Peng  
D482,658 S 11/2003 Shao  
D483,017 S 12/2003 Goto  
D483,332 S 12/2003 Verfuert  
D488,783 S 4/2004 Goto  
D491,525 S 6/2004 Hwang  
D492,260 S 6/2004 Spink, Jr.  
D494,141 S 8/2004 Spink, Jr.  
D494,933 S 8/2004 Lu  
6,860,765 B1 3/2005 Spink, Jr.  
D512,687 S 12/2005 Baker et al.  
7,008,255 B1 3/2006 Wang  
D519,924 S 5/2006 Baker et al.  
D524,737 S 7/2006 Lai et al.  
D524,751 S 7/2006 Lee et al.  
7,074,070 B1 7/2006 Huang et al.

D527,347 S \* 8/2006 Shang Yen et al. .... D13/147  
D528,984 S 9/2006 Li  
7,114,981 B1 10/2006 Huang et al.  
D531,959 S 11/2006 Kondas  
D531,960 S 11/2006 Kondas  
7,144,267 B1 12/2006 Huang et al.  
D543,149 S 5/2007 Huang et al.  
D544,844 S 6/2007 Askeland et al.  
D544,845 S 6/2007 Askeland et al.  
D550,628 S 9/2007 Whiteman, Jr. et al.  
D556,141 S 11/2007 Whiteman, Jr. et al.  
D556,142 S 11/2007 Kudo et al.  
D556,147 S 11/2007 Kudo et al.  
D559,187 S 1/2008 Hayashi  
D568,823 S \* 5/2008 Ashida et al. .... D13/154  
2001/0023151 A1 9/2001 Yoshida  
2006/0166544 A1 7/2006 Tateishi et al.

OTHER PUBLICATIONS

Picture of Microsoft Xbox 360 Rear Power Socket Connection, 2 sheets.

\* cited by examiner

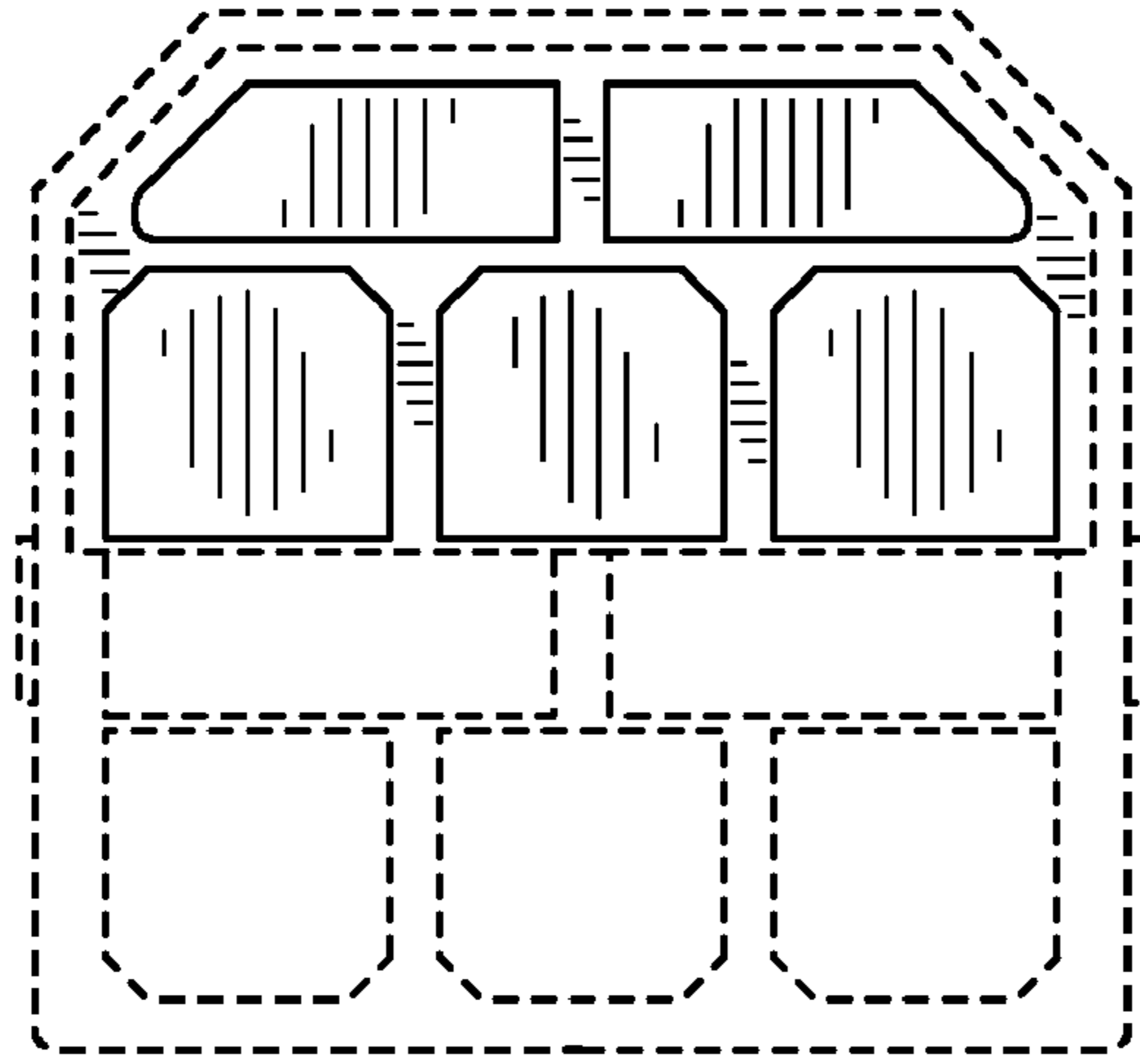


FIG. 1

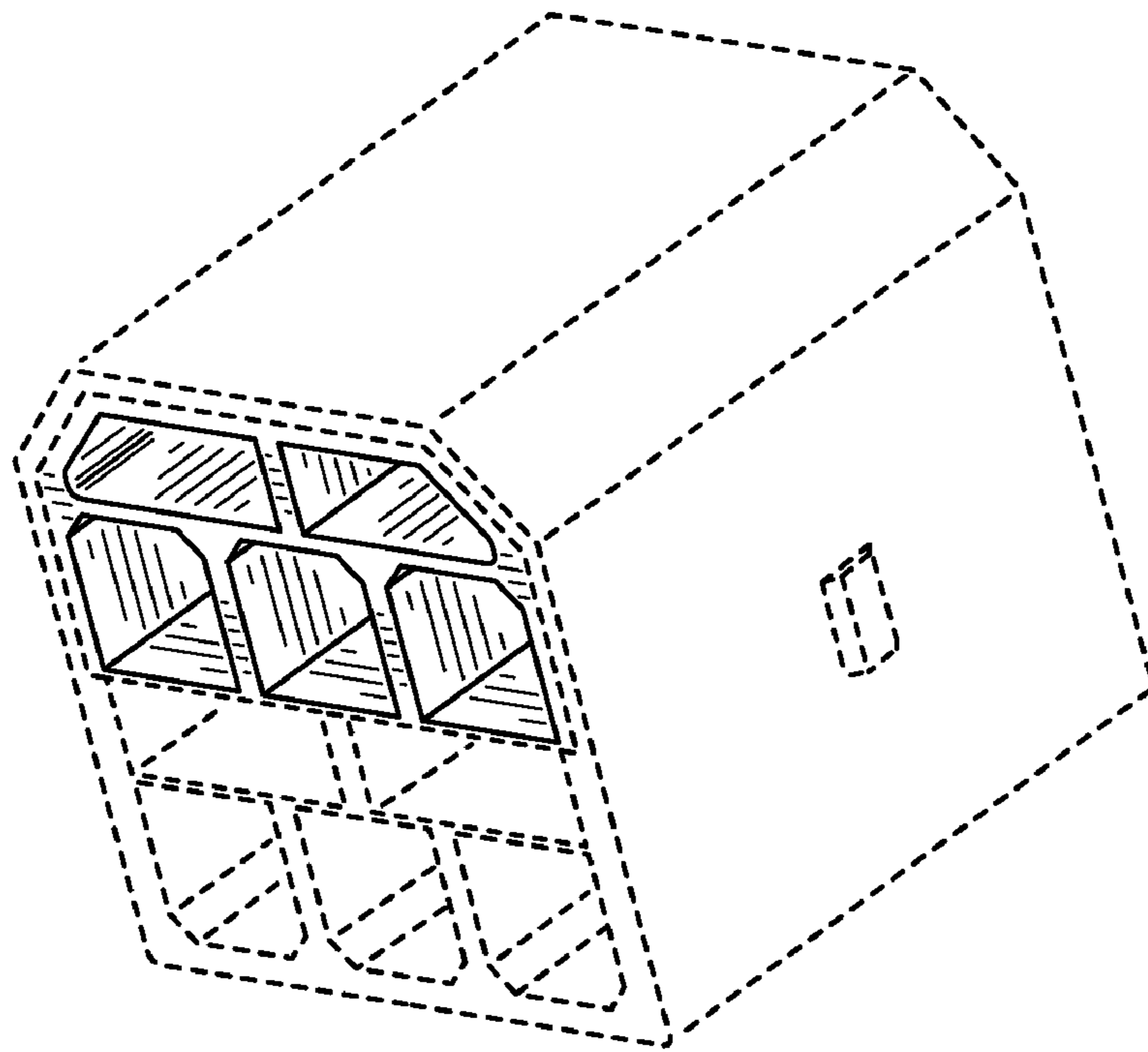


FIG. 2