

US00D577338S

(12) **United States Design Patent**
Yamagami et al.

(10) **Patent No.:** **US D577,338 S**
(45) **Date of Patent:** **** Sep. 23, 2008**

(54) **ELECTRICAL CONNECTOR HOUSING**

(75) Inventors: **Hidehisa Yamagami**, Kanagawa (JP);
Yusuke Mito, Tokyo (JP)

(73) Assignee: **Tyco Electronics AMP K.K.**,
Kanagawa-Ken (JP)

(**) Term: **14 Years**

(21) Appl. No.: **29/246,398**

(22) Filed: **Apr. 7, 2006**

(30) **Foreign Application Priority Data**

Oct. 7, 2005 (JP) 2005-029359

(51) **LOC (8) Cl.** **13-03**

(52) **U.S. Cl.** **D13/147**

(58) **Field of Classification Search** D13/133,
D13/147, 154, 184, 199; 439/352, 372, 357-358,
439/572, 594-595, 597-598, 495, 680, 752
See application file for complete search history.

(56) **References Cited**

U.S. PATENT DOCUMENTS

D311,380 S * 10/1990 Kameyama et al. D13/147
D316,704 S * 5/1991 Eto et al. D13/147
D332,774 S * 1/1993 Watanabe et al. D13/147
5,848,912 A * 12/1998 Okabe 439/489
6,319,043 B1 * 11/2001 Takatsuki et al. 439/358
6,341,975 B1 * 1/2002 Takatsuki et al. 439/358

D463,776 S * 10/2002 Chen D13/147
D524,751 S * 7/2006 Lee et al. D13/147
7,090,543 B2 * 8/2006 Lee et al. 439/752
7,104,829 B2 * 9/2006 Volpone et al. 439/358

FOREIGN PATENT DOCUMENTS

JP D1186468 8/2003
JP D1186129 9/2003
JP D1224016 11/2004

* cited by examiner

Primary Examiner—Daniel D Bui

(74) *Attorney, Agent, or Firm*—Barley Snyder LLC

(57) **CLAIM**

The ornamental design for an electrical connector housing, as shown and described.

DESCRIPTION

FIG. 1 is a front elevation view of an electrical connector housing, showing my new design;

FIG. 2 is a top plan view thereof;

FIG. 3 is a bottom plan view thereof;

FIG. 4 is a right side elevation view thereof;

FIG. 5 is a left side elevation view thereof;

FIG. 6 is a rear elevation view thereof, on a larger scale; and,

FIG. 7 is a top, front and right side perspective view thereof.

1 Claim, 4 Drawing Sheets

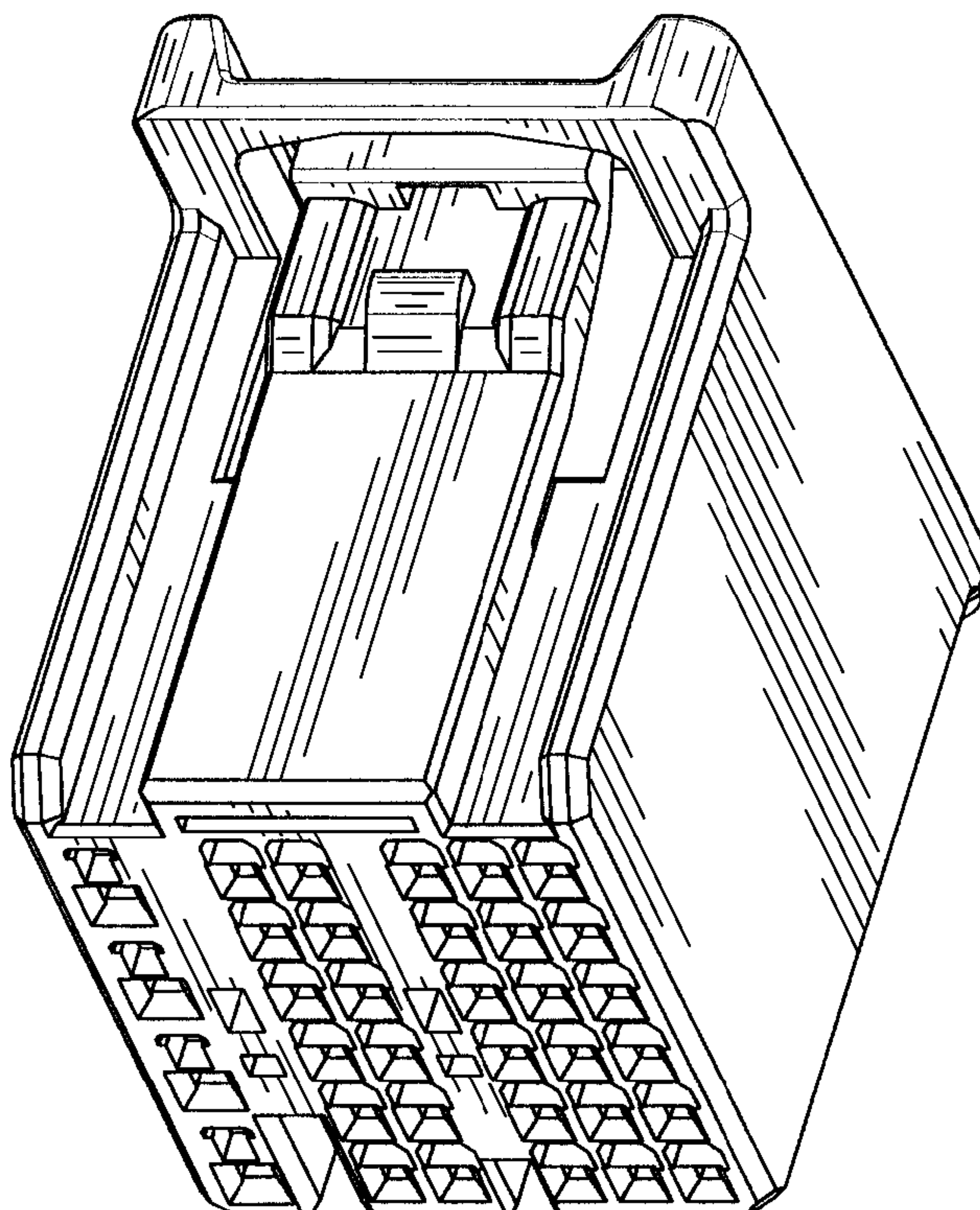


FIG. 1

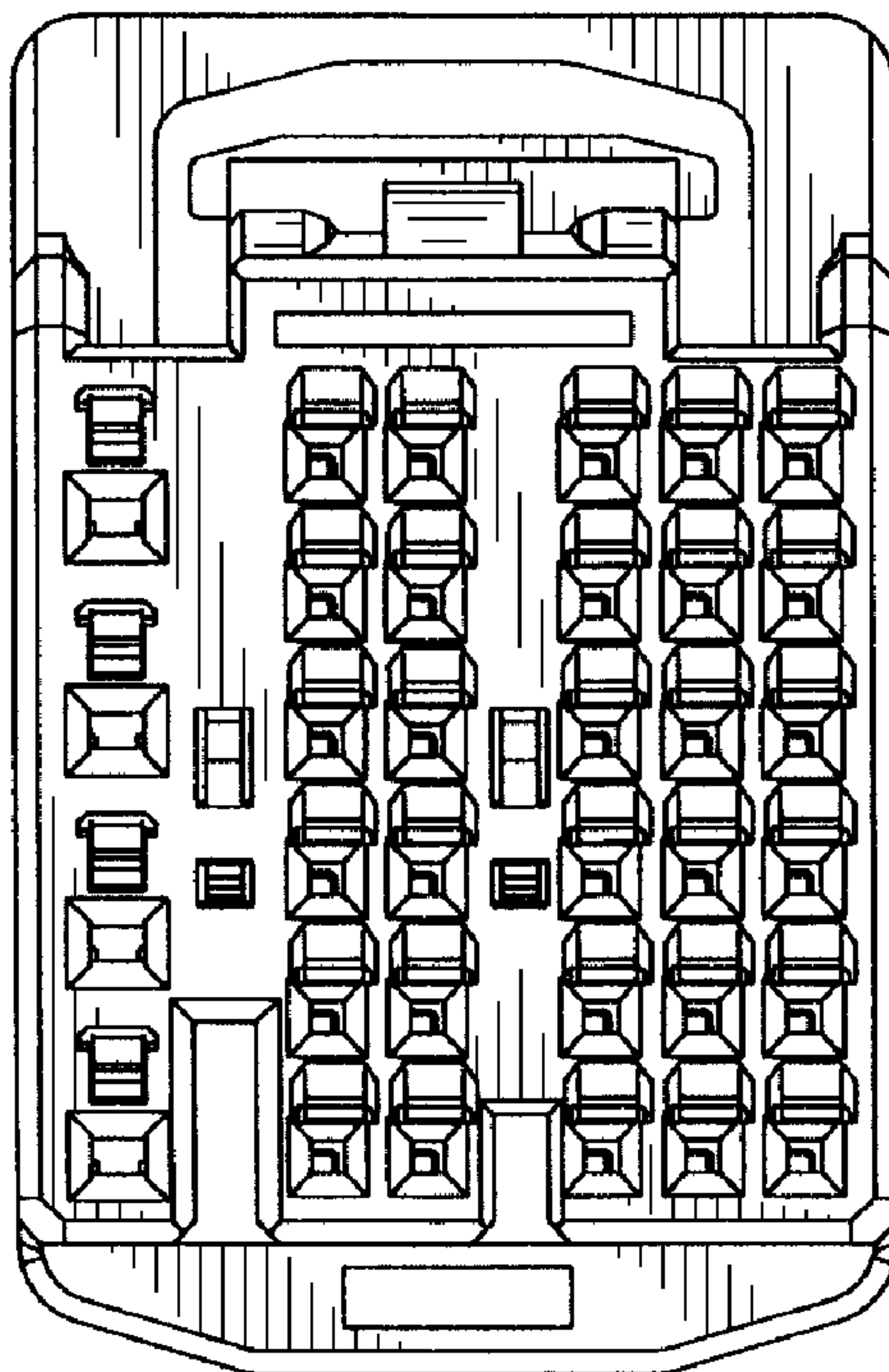


FIG. 2

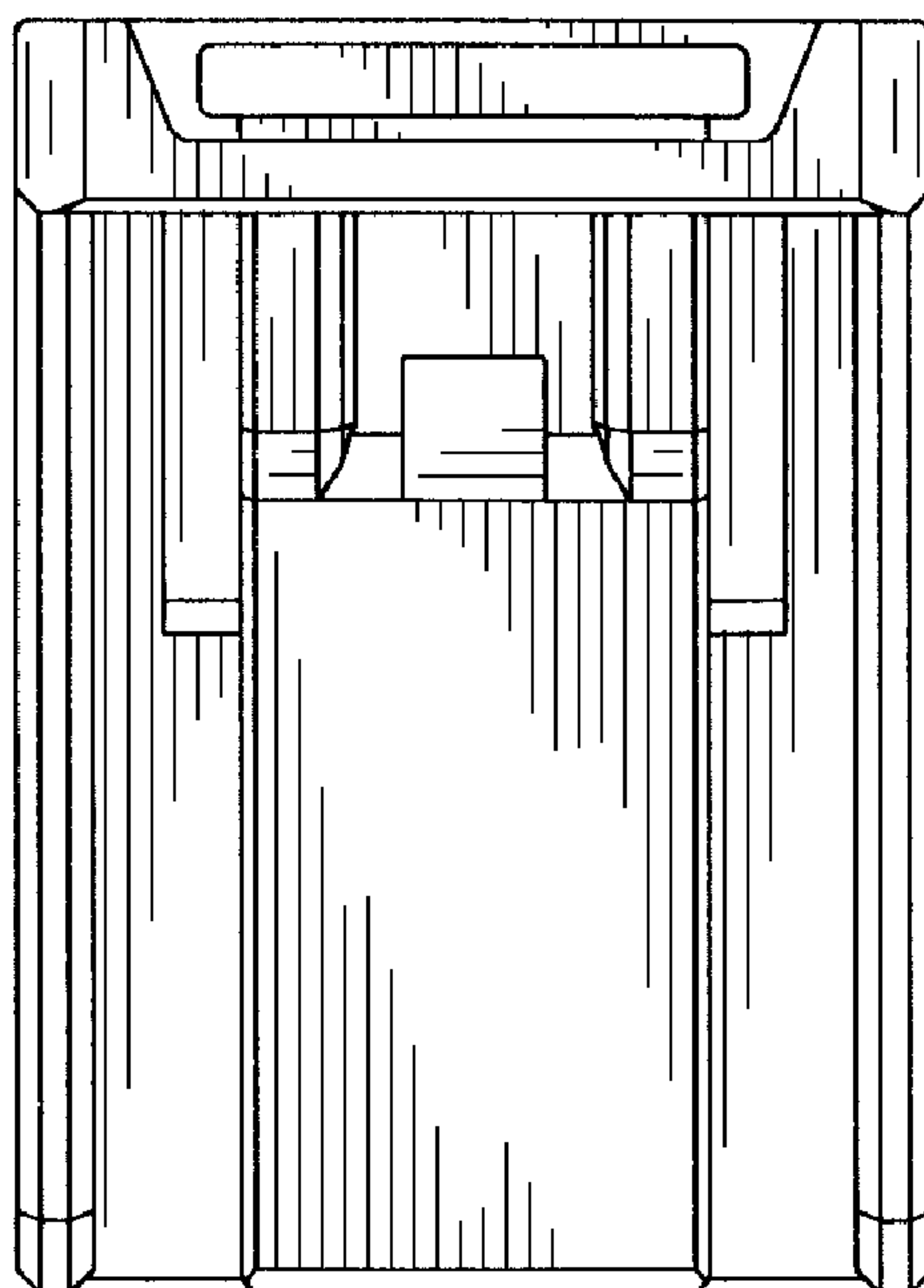


FIG. 3

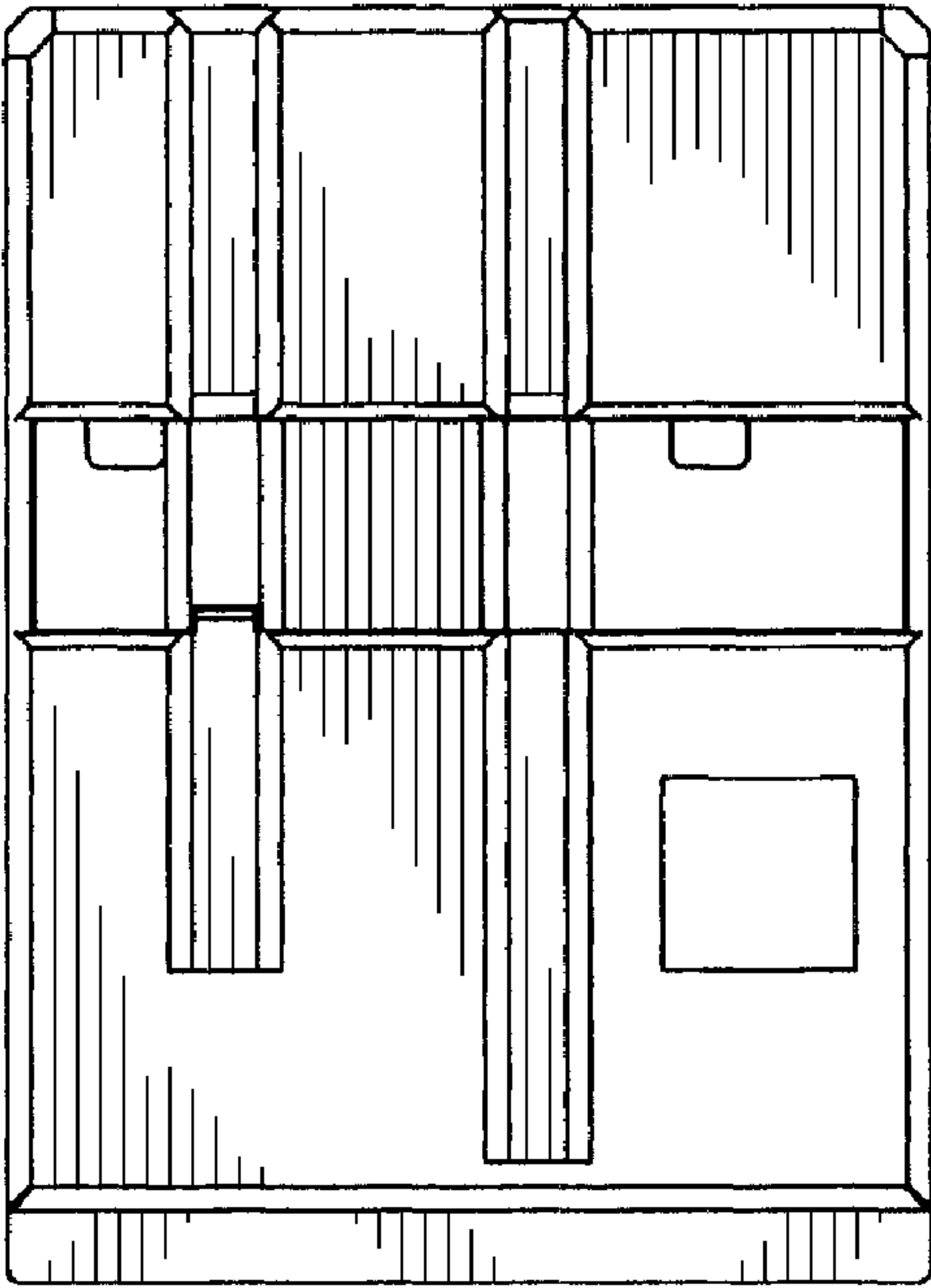


FIG. 4

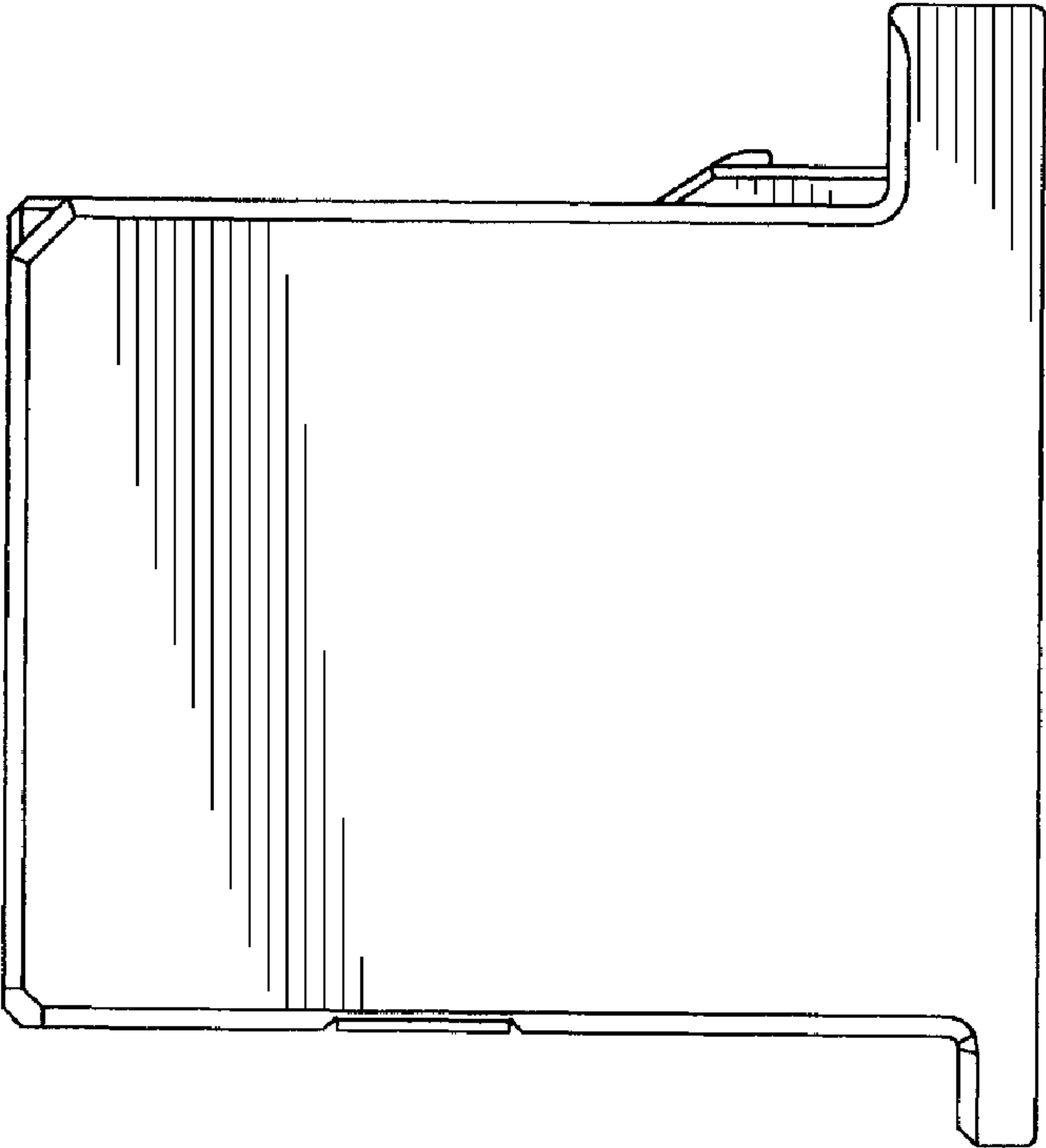


FIG. 5

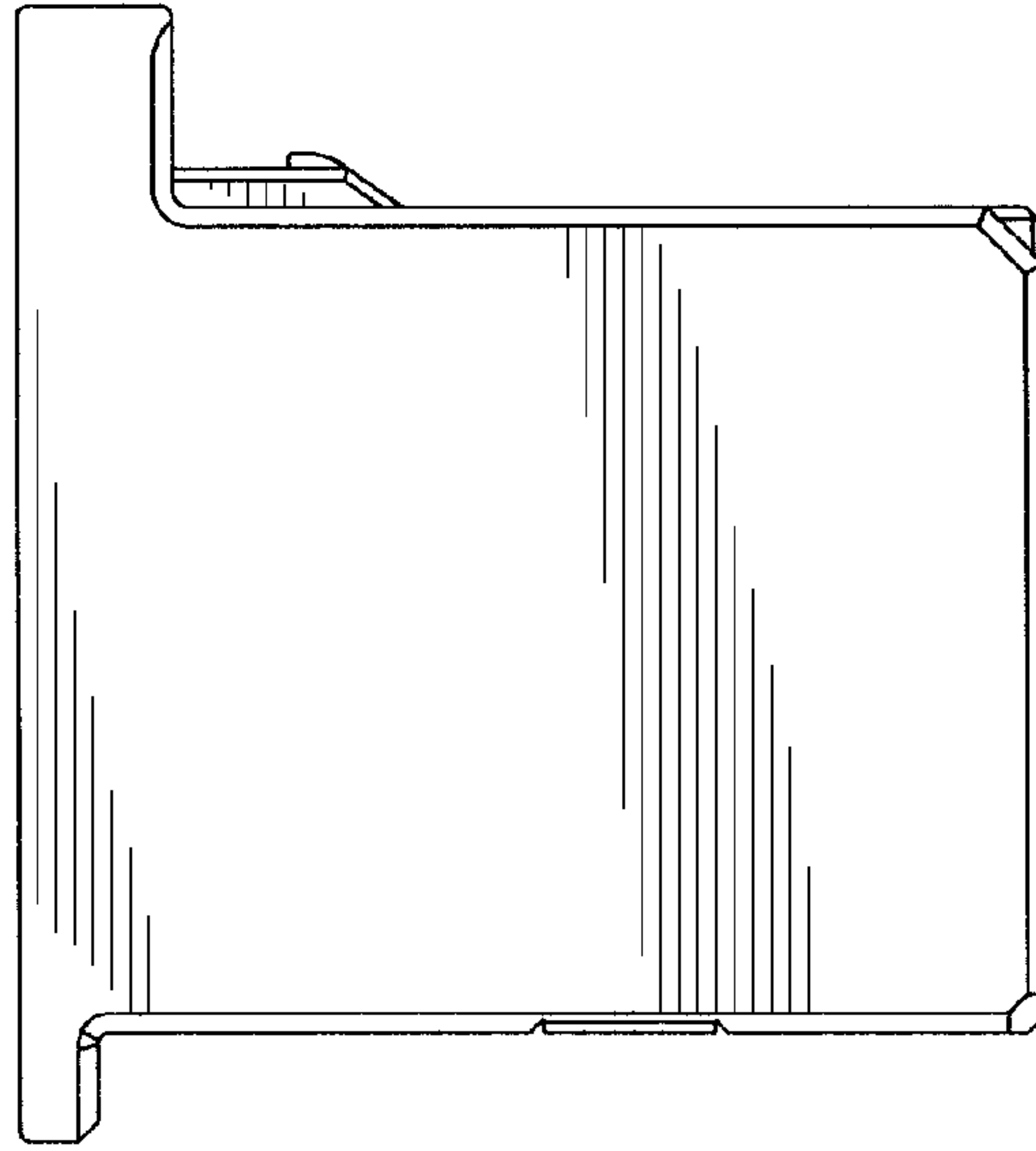
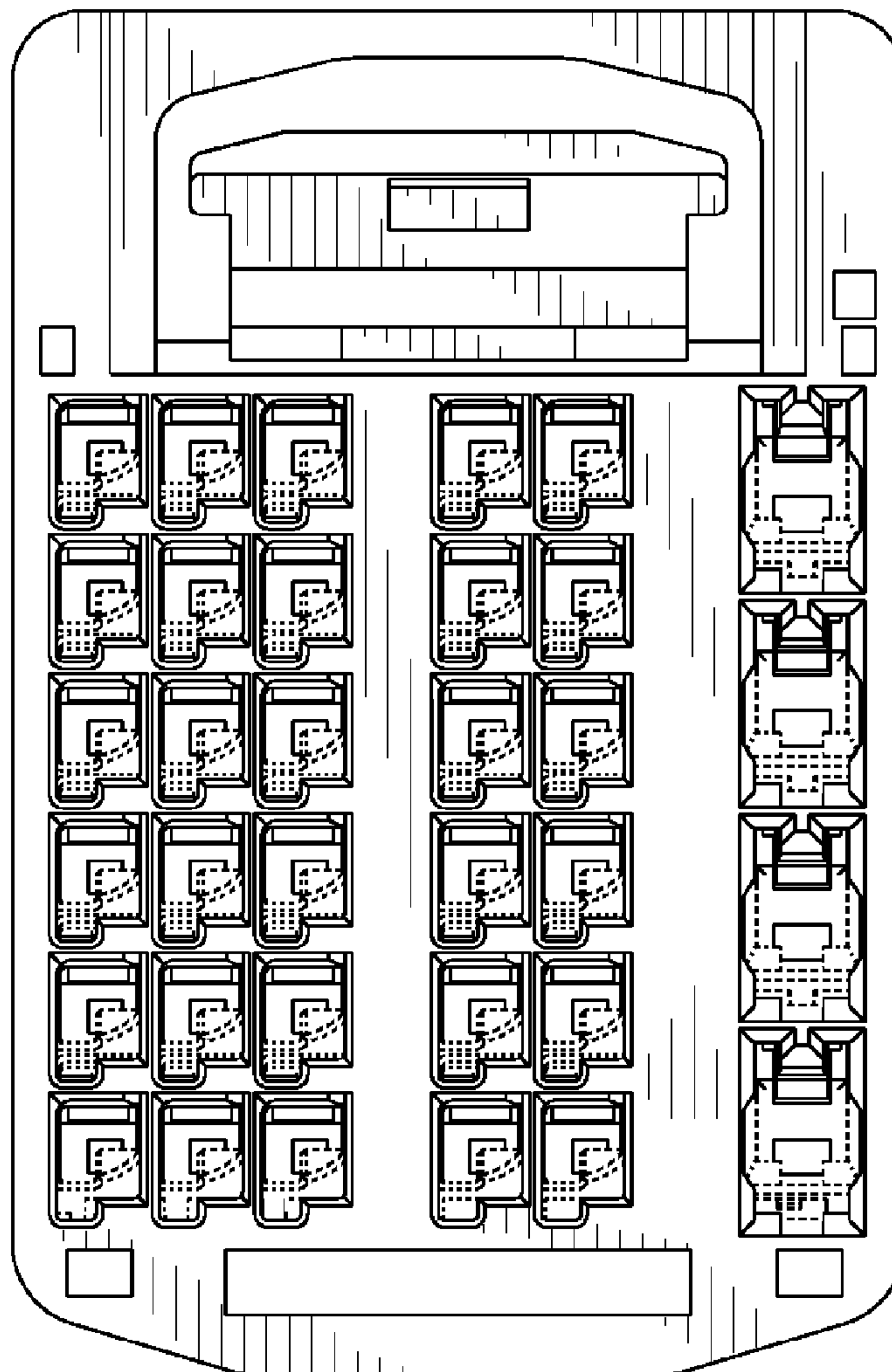


FIG. 6



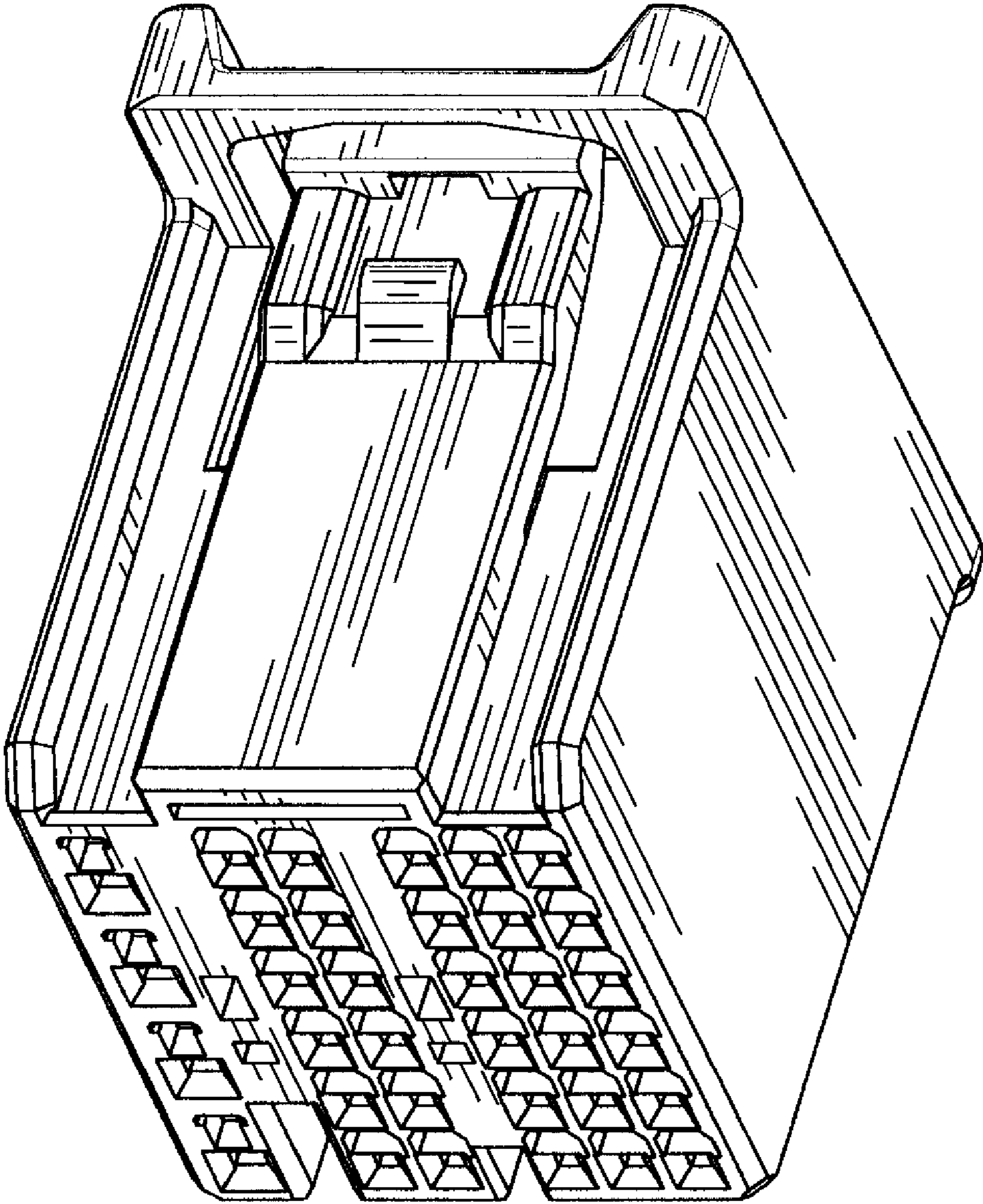


FIG. 7