

US00D577337S

(12) **United States Design Patent**  
**Zayas**

(10) **Patent No.:** **US D577,337 S**

(45) **Date of Patent:** **\*\* Sep. 23, 2008**

(54) **LAMP CONNECTOR WITH ADAPTOR  
COMBINATION ASSEMBLY**

(75) Inventor: **Betty Jean Zayas**, Bridgeport, CT (US)

(73) Assignee: **Light Sources, Inc.**, Orange, CT (US)

(\*\*) Term: **14 Years**

(21) Appl. No.: **29/302,119**

(22) Filed: **Jan. 10, 2008**

(51) **LOC (8) Cl.** ..... **13-03**

(52) **U.S. Cl.** ..... **D13/134; D13/136**

(58) **Field of Classification Search** ..... D13/133,  
D13/134, 136, 146, 147, 154, 184, 199; D26/24,  
D26/113; 313/318.01, 318.02, 318.03, 318.05,  
313/318.12; 362/260; 439/168, 220, 226,  
439/280, 291, 375, 378, 379, 419, 602, 626,  
439/639, 649

See application file for complete search history.

(56) **References Cited**

**U.S. PATENT DOCUMENTS**

D184,294	S	*	1/1959	Swan	.....	D13/146
3,953,099	A	*	4/1976	Wilson	.....	439/205
5,120,268	A	*	6/1992	Gerrans	.....	439/736
D331,912	S	*	12/1992	Syck	.....	D13/146
5,180,316	A	*	1/1993	Miller et al.	.....	439/610
5,417,585	A	*	5/1995	Morin et al.	.....	439/488
5,429,524	A	*	7/1995	Wakata et al.	.....	439/310
D381,628	S	*	7/1997	Ashida	.....	D13/147
D412,312	S	*	7/1999	Myers	.....	D13/146
6,165,013	A	*	12/2000	Broussard	.....	439/606
D462,662	S	*	9/2002	Lindekugel	.....	D13/146
D465,458	S	*	11/2002	Zhang et al.	.....	D13/147

D478,870	S	*	8/2003	Fang	.....	D13/147
D547,724	S	*	7/2007	Ciancanelli et al.	.....	D13/134
D547,725	S	*	7/2007	Ciancanelli et al.	.....	D13/134
D551,624	S	*	9/2007	Ciancanelli et al.	.....	D13/136
D553,569	S	*	10/2007	Ciancanelli et al.	.....	D13/136
2008/0020649	A1	*	1/2008	Scherer et al.	.....	439/639
2008/0076281	A1	*	3/2008	Ciancanelli et al.	.....	439/133

\* cited by examiner

*Primary Examiner*—Daniel D Bui

(74) *Attorney, Agent, or Firm*—Cantor Colburn LLP

(57) **CLAIM**

The ornamental design for a lamp connector with adaptor combination assembly, as shown and described.

**DESCRIPTION**

FIG. 1 is a top, front and right side perspective view of a lamp connector with adaptor combination assembly, showing my new design;

FIG. 2 is a top, rear and left side perspective view thereof;

FIG. 3 is a front elevation view thereof;

FIG. 4 is a right side elevation view thereof;

FIG. 5 is a left side elevation view thereof;

FIG. 6 is a rear elevation view thereof;

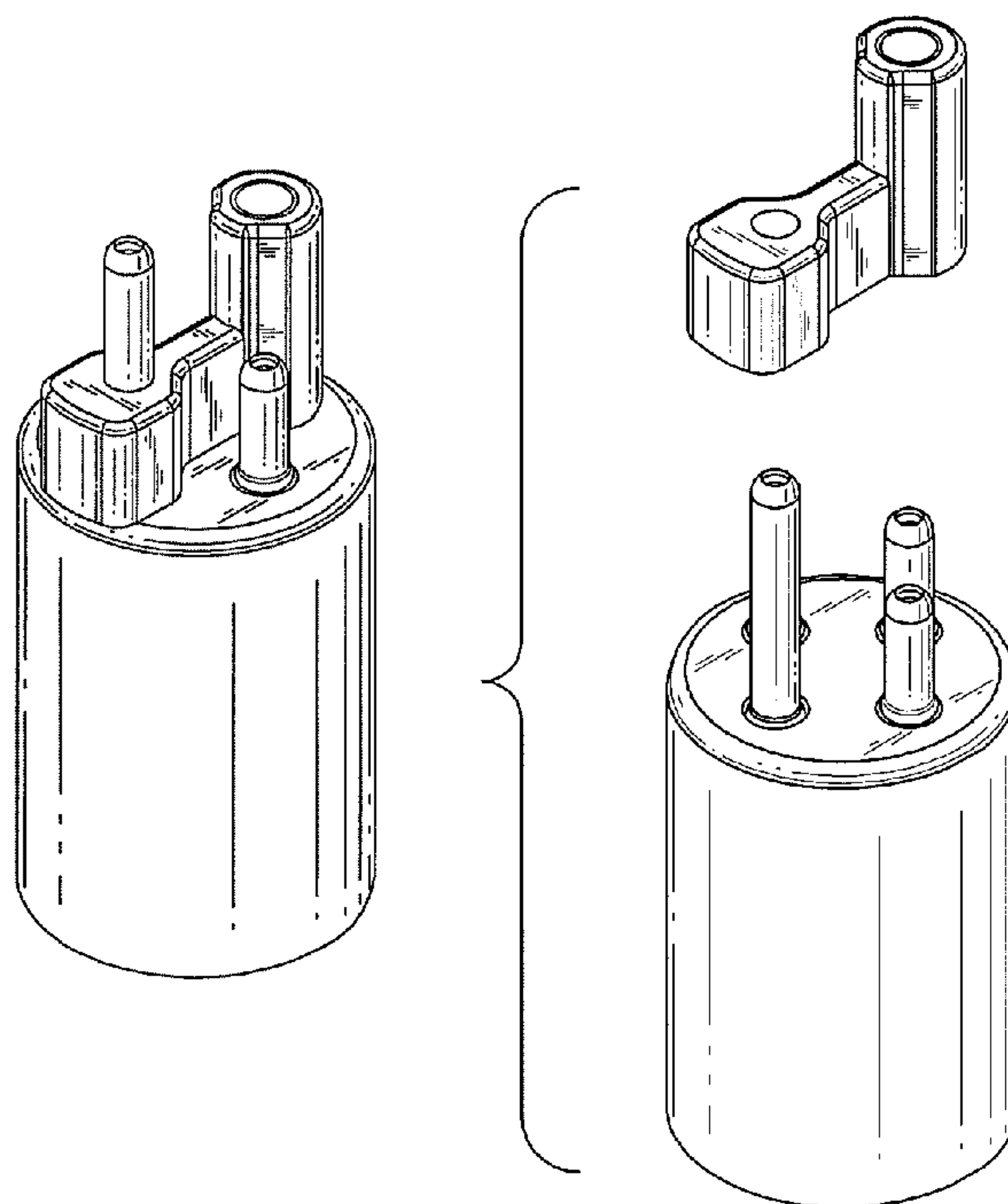
FIG. 7 is a top plan view thereof;

FIG. 8 is a bottom plan view thereof; and,

FIG. 9 is a top, front and right side perspective view thereof, in exploded condition.

The broken line showing of the environment is for illustrative purposes only and forms no part of the claimed design.

**1 Claim, 2 Drawing Sheets**



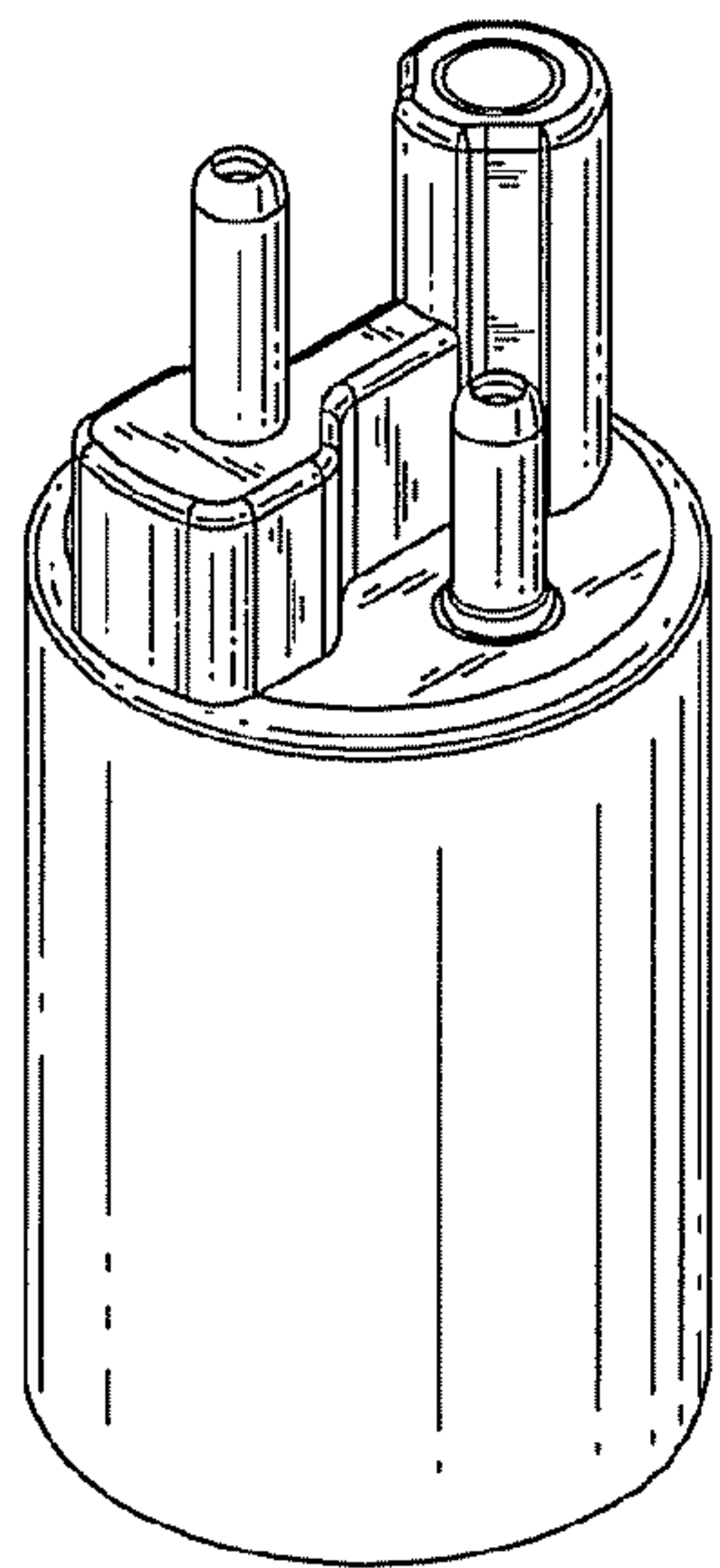


FIG. 1

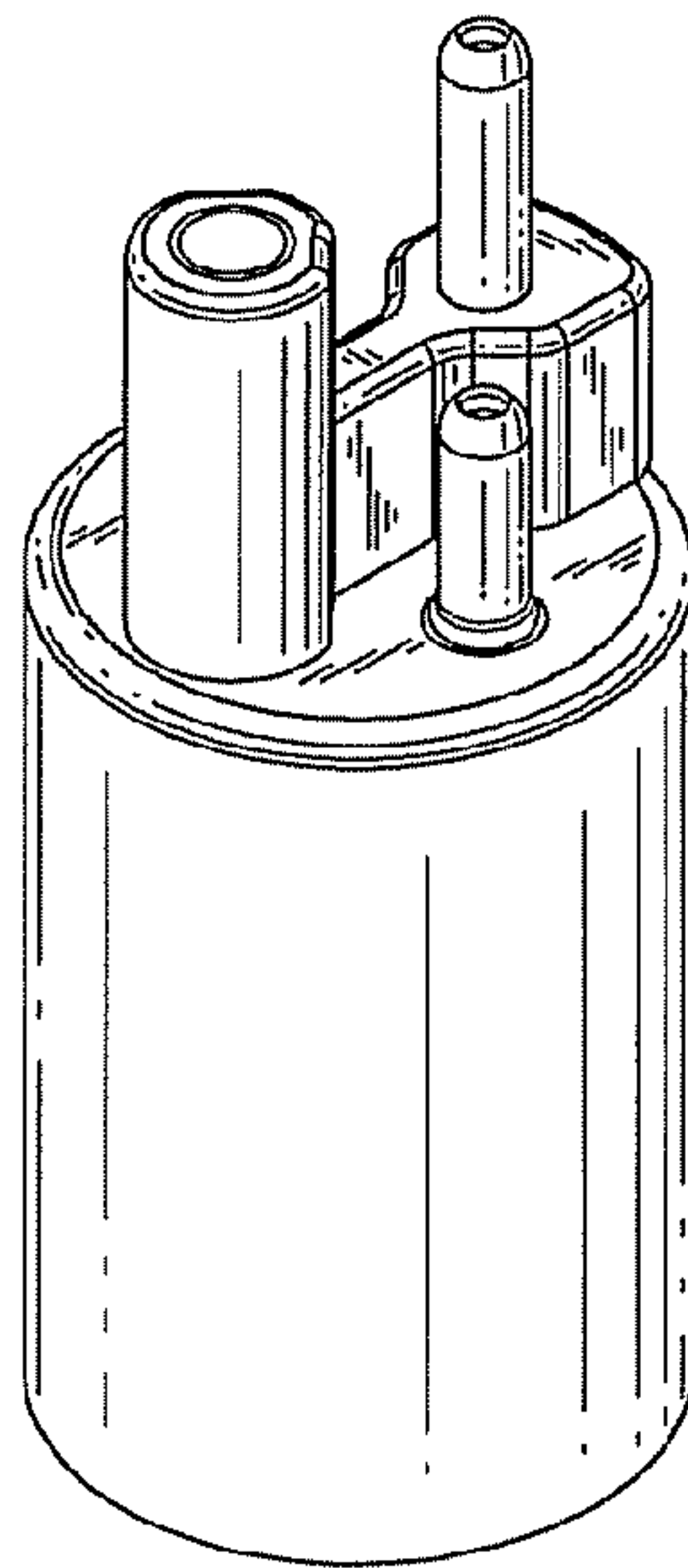


FIG. 2

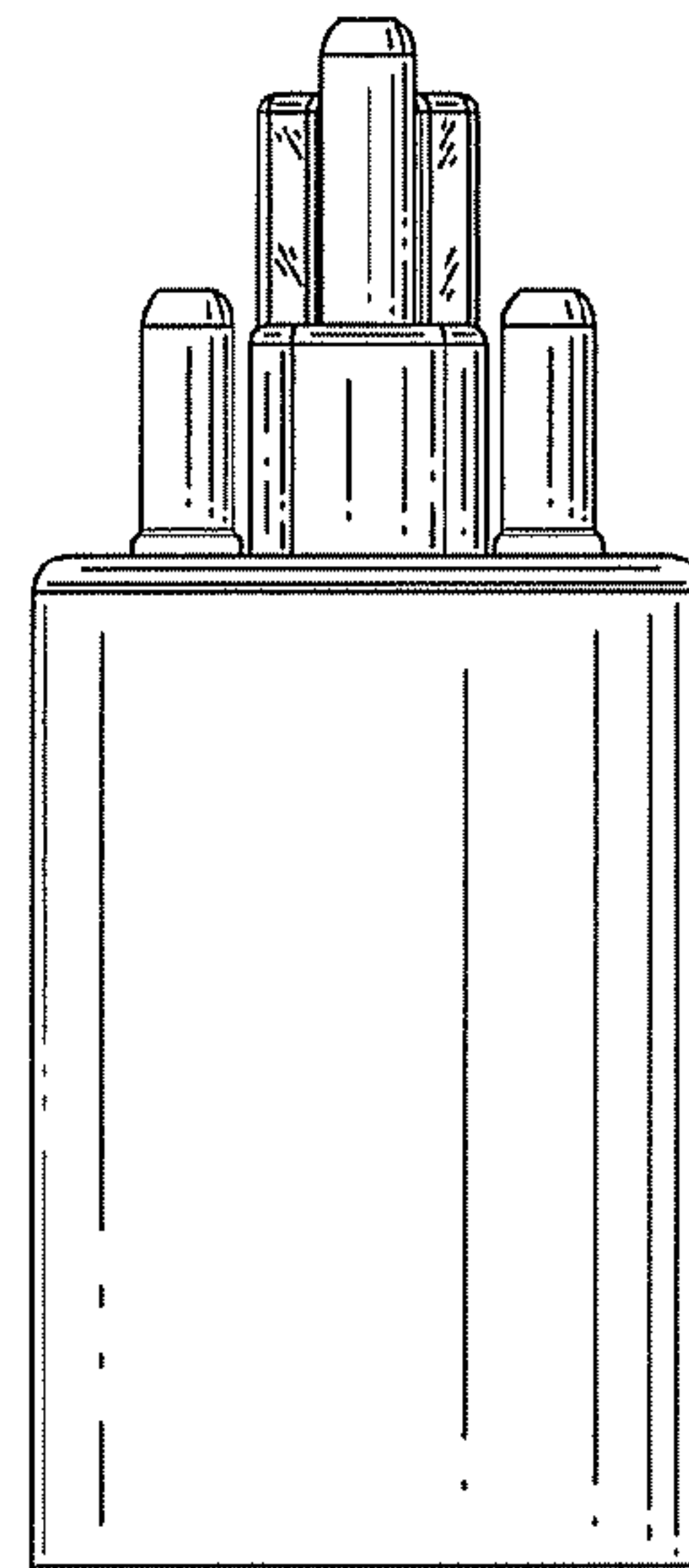


FIG. 3

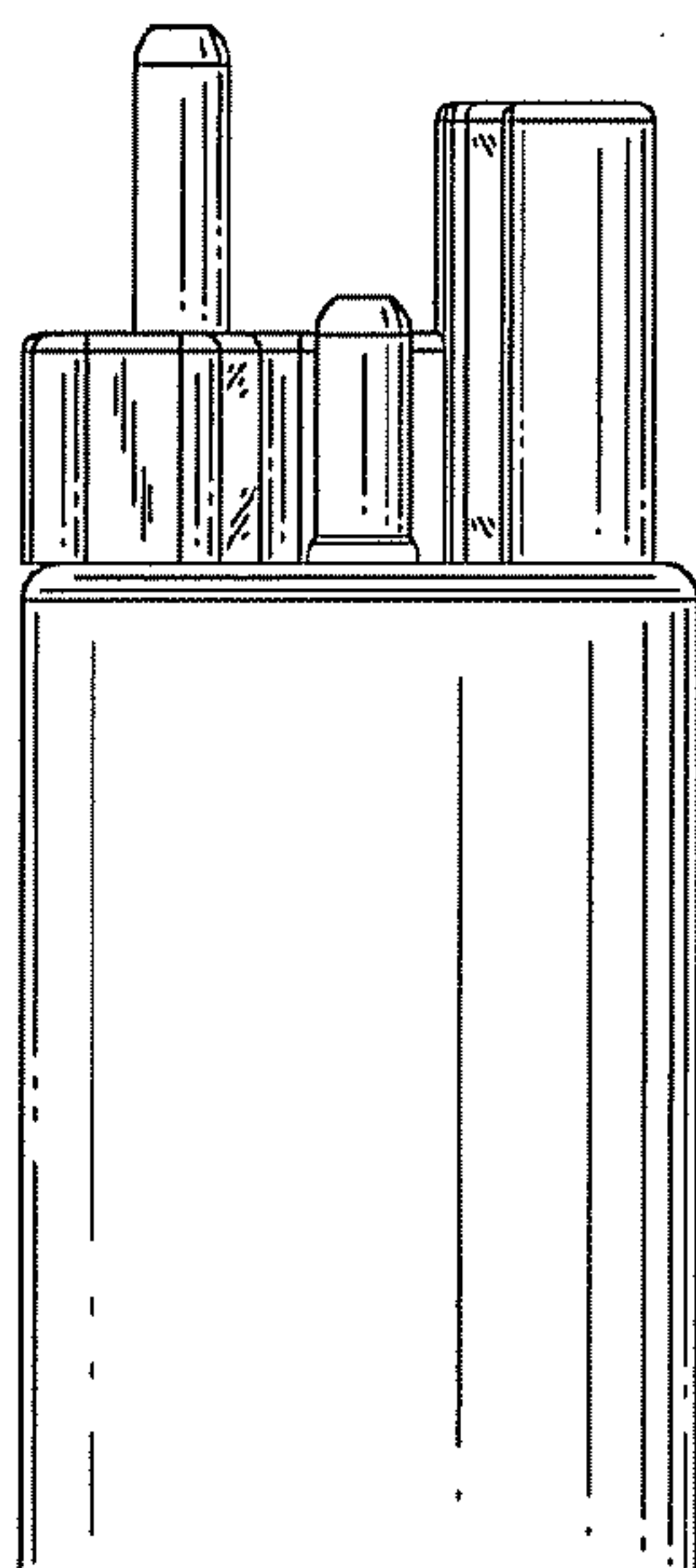


FIG. 4

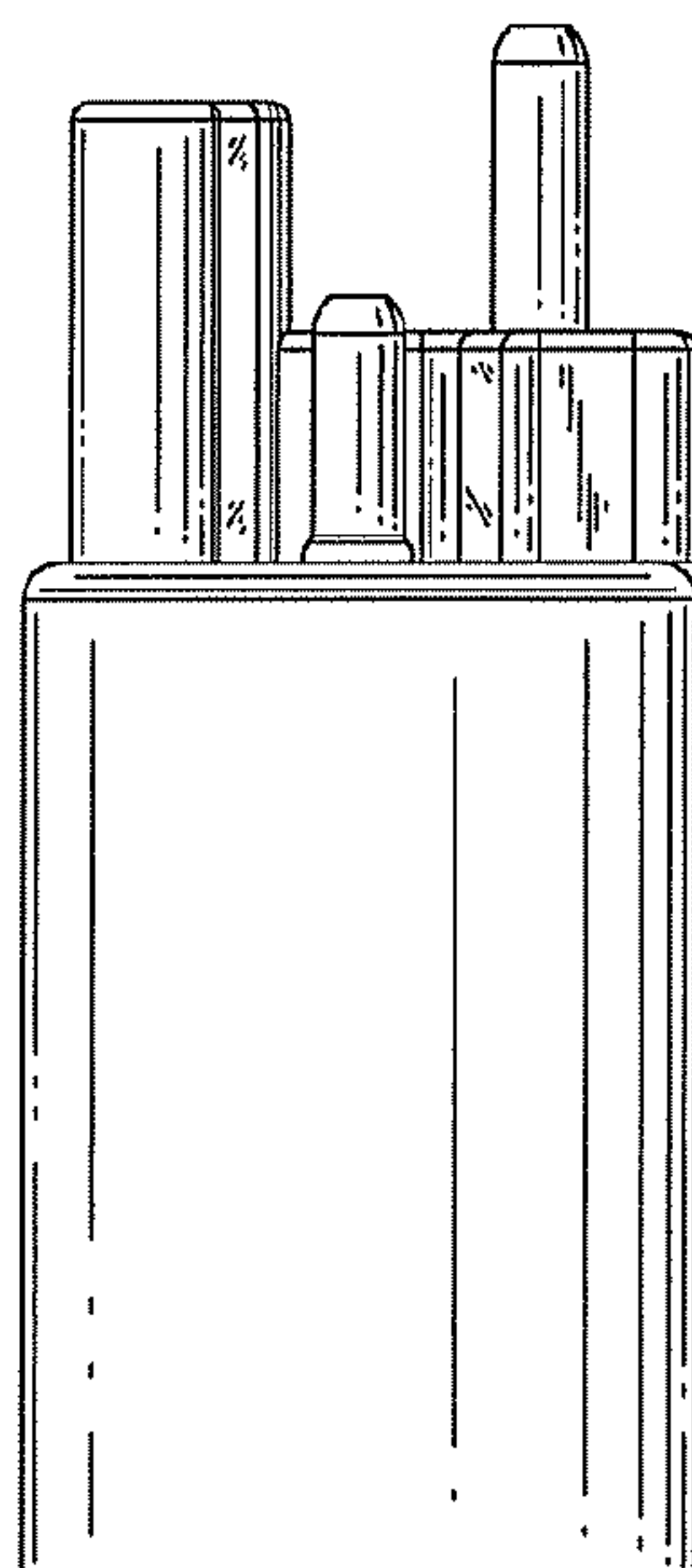


FIG. 5

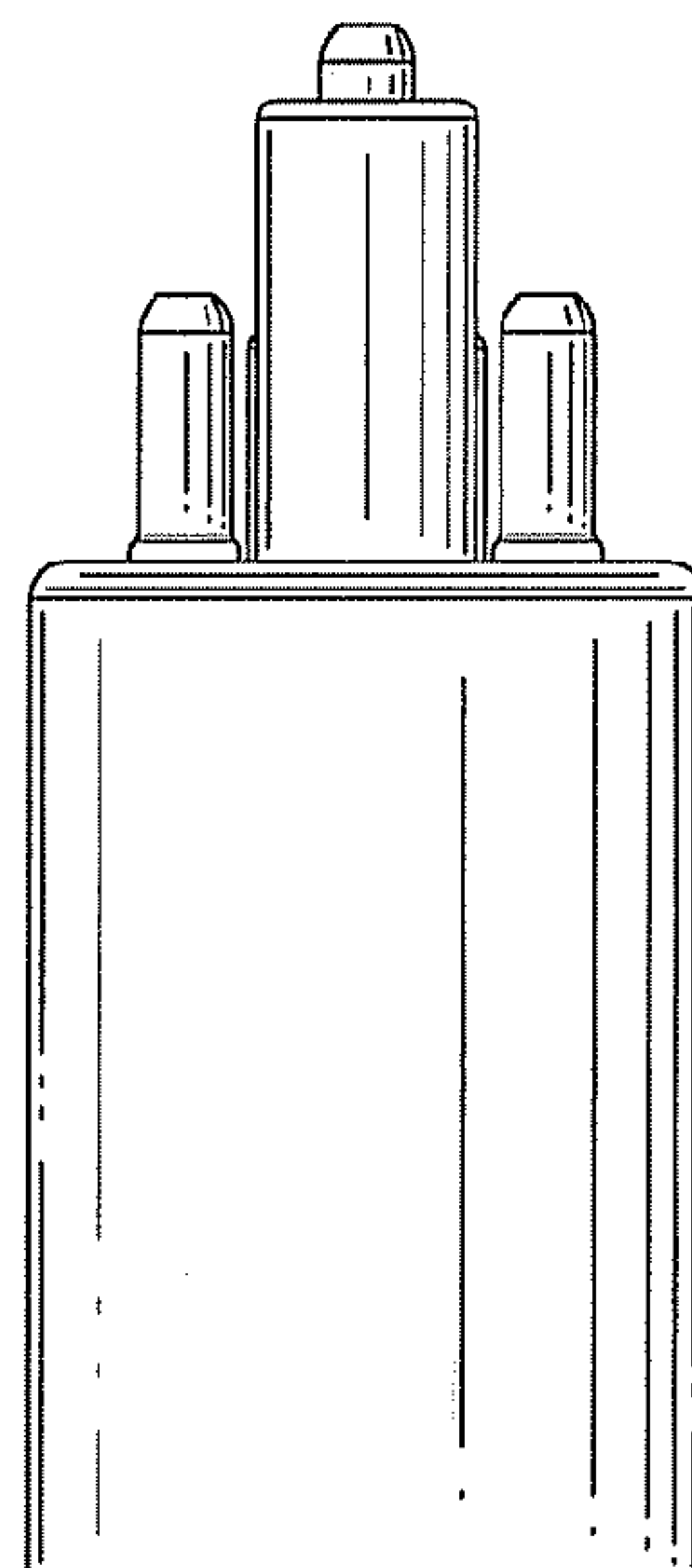


FIG. 6

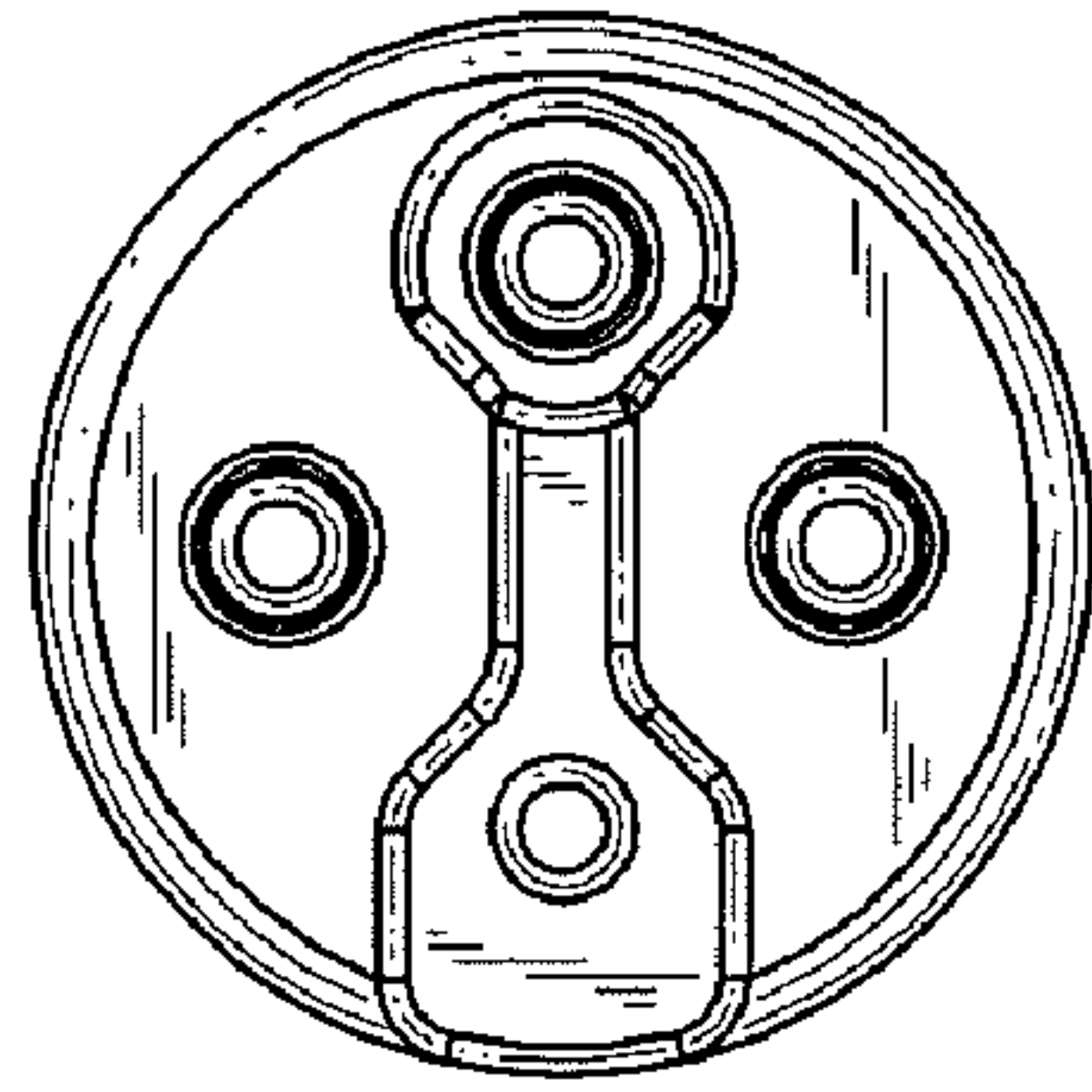


FIG. 7

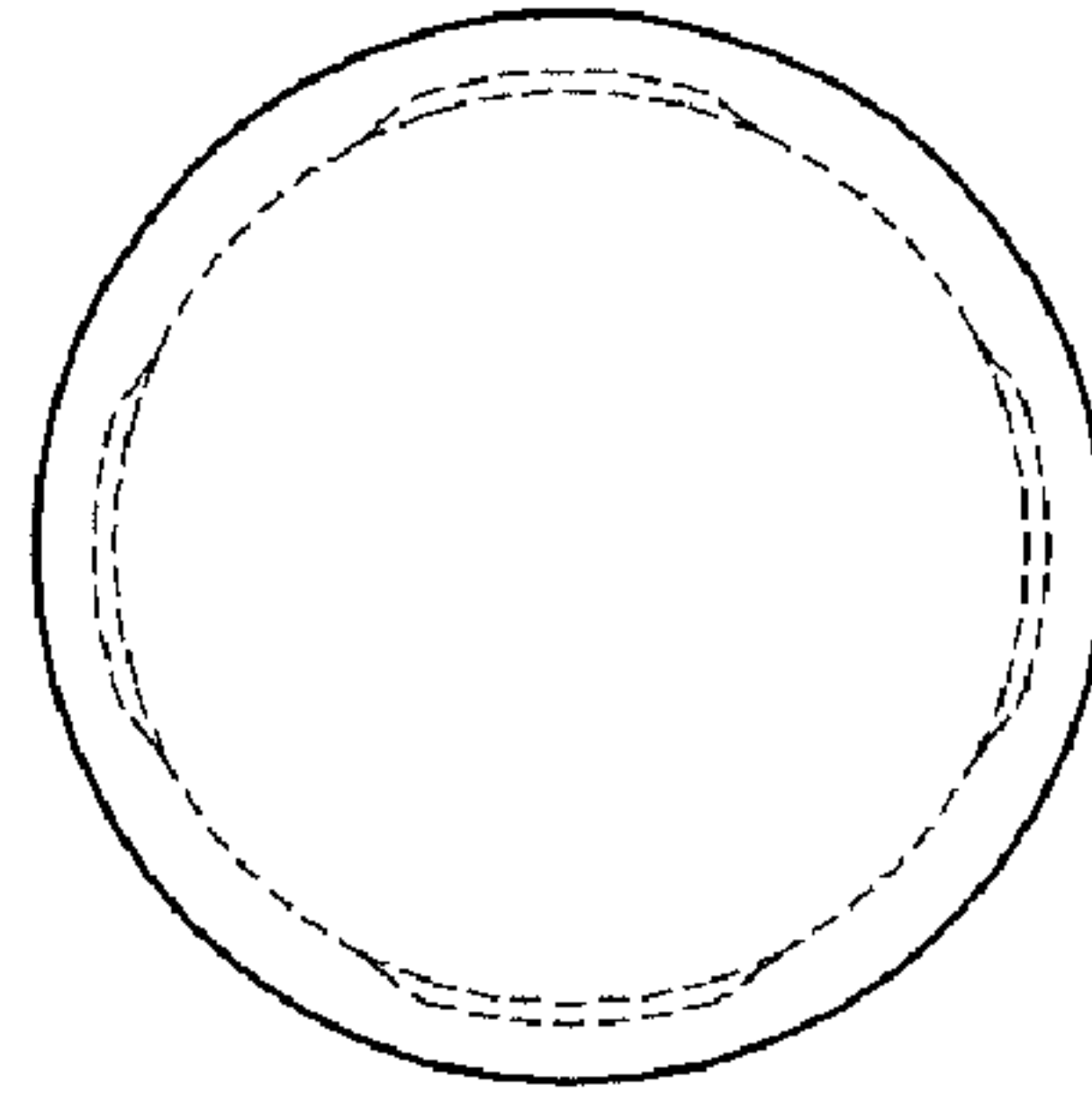


FIG. 8

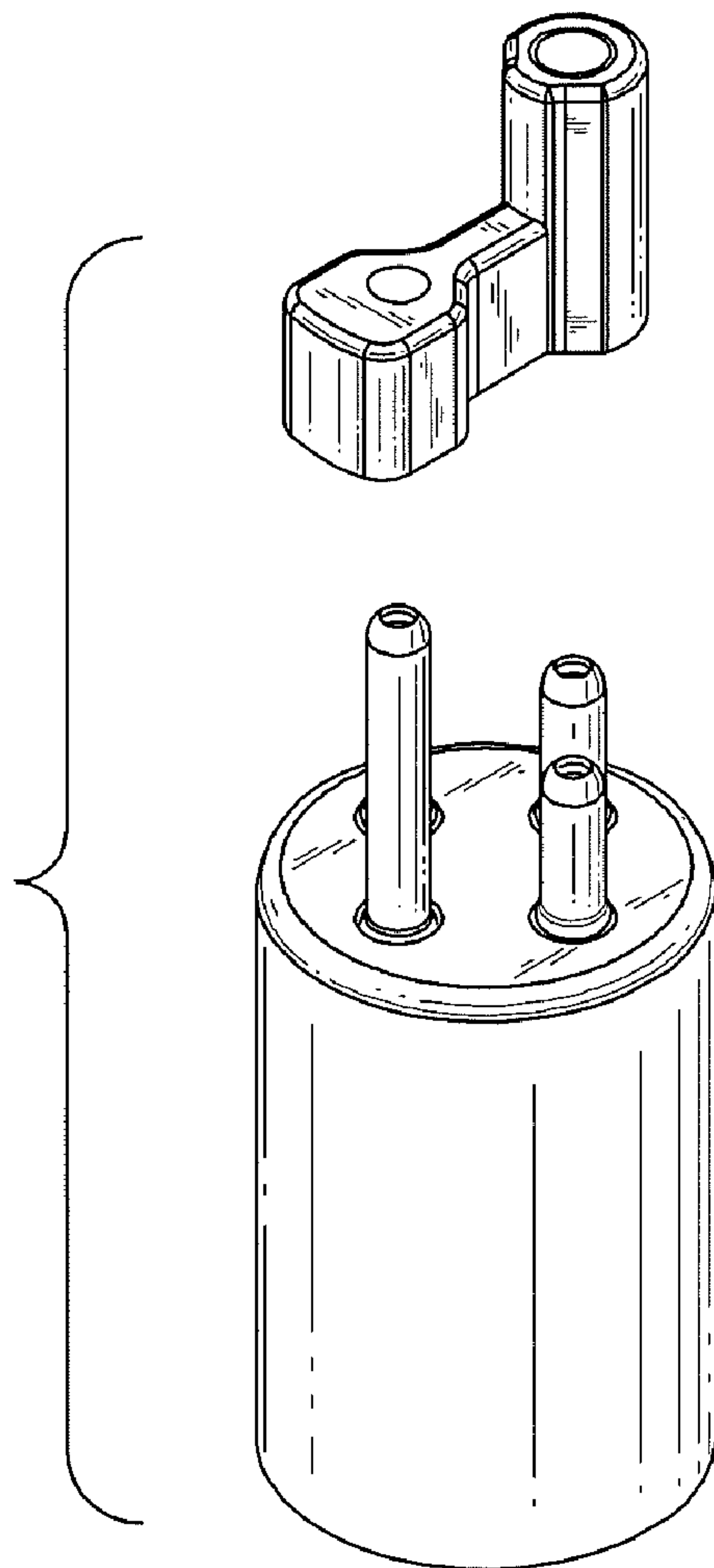


FIG. 9