



US00D577334S

(12) **United States Design Patent**
Kim et al.

(10) **Patent No.:** **US D577,334 S**

(45) **Date of Patent:** **** Sep. 23, 2008**

(54) **CHARGER FOR MOBILE PHONE**

(75) Inventors: **Young-Soo Kim**, Goyang-si (KR);
Sung-Hoon Hong, Suwon-si (KR);
Beom-Ku Han, Seoul (KR);
Chang-Hwan Hwang, Goyang-si (KR)

(73) Assignee: **Samsung Electronics Co., Ltd.**,
Suwon-Si (KR)

(**) Term: **14 Years**

(21) Appl. No.: **29/245,725**

(22) Filed: **Dec. 29, 2005**

(30) **Foreign Application Priority Data**

Jul. 20, 2005 (KR) 30-2005-0024437

(51) **LOC (8) Cl.** **13-02**

(52) **U.S. Cl.** **D13/108**

(58) **Field of Classification Search** D13/107-110,
D13/118-119, 184; D14/251, 253, 432,
D14/434; 320/107-115

See application file for complete search history.

(56) **References Cited**

U.S. PATENT DOCUMENTS

D365,824 S * 1/1996 Danielson et al. D14/253
D390,824 S * 2/1998 Foster et al. D13/108
D393,625 S * 4/1998 Riccobon D13/107
D400,165 S * 10/1998 Nagele et al. D13/108
D409,563 S * 5/1999 Haase et al. D13/107

D436,576 S * 1/2001 Herrmann et al. D13/107
D440,936 S * 4/2001 Burns D13/108
D456,005 S * 4/2002 Jokinen D13/108
D480,376 S * 10/2003 Ma D14/149
D508,458 S * 8/2005 Solland et al. D13/108
D521,927 S * 5/2006 Franck et al. D13/108
D530,717 S * 10/2006 Mori et al. D14/434
D532,005 S * 11/2006 Leith D14/253

* cited by examiner

Primary Examiner—Jennifer Rivard

Assistant Examiner—Rosemary K Tarcza

(74) *Attorney, Agent, or Firm*—Staas & Halsey LLP

(57) **CLAIM**

The ornamental design for the charger for mobile phone, as shown and described.

DESCRIPTION

FIG. 1 is a perspective view of the charger for mobile phone showing our design;

FIG. 2 is a front view thereof;

FIG. 3 is a rear view thereof;

FIG. 4 is a left side view thereof;

FIG. 5 is a right side view thereof;

FIG. 6 is a top plan view thereof;

FIG. 7 is a bottom plan view thereof; and,

FIG. 8 is a perspective view showing the charger with a mobile phone.

1 Claim, 4 Drawing Sheets

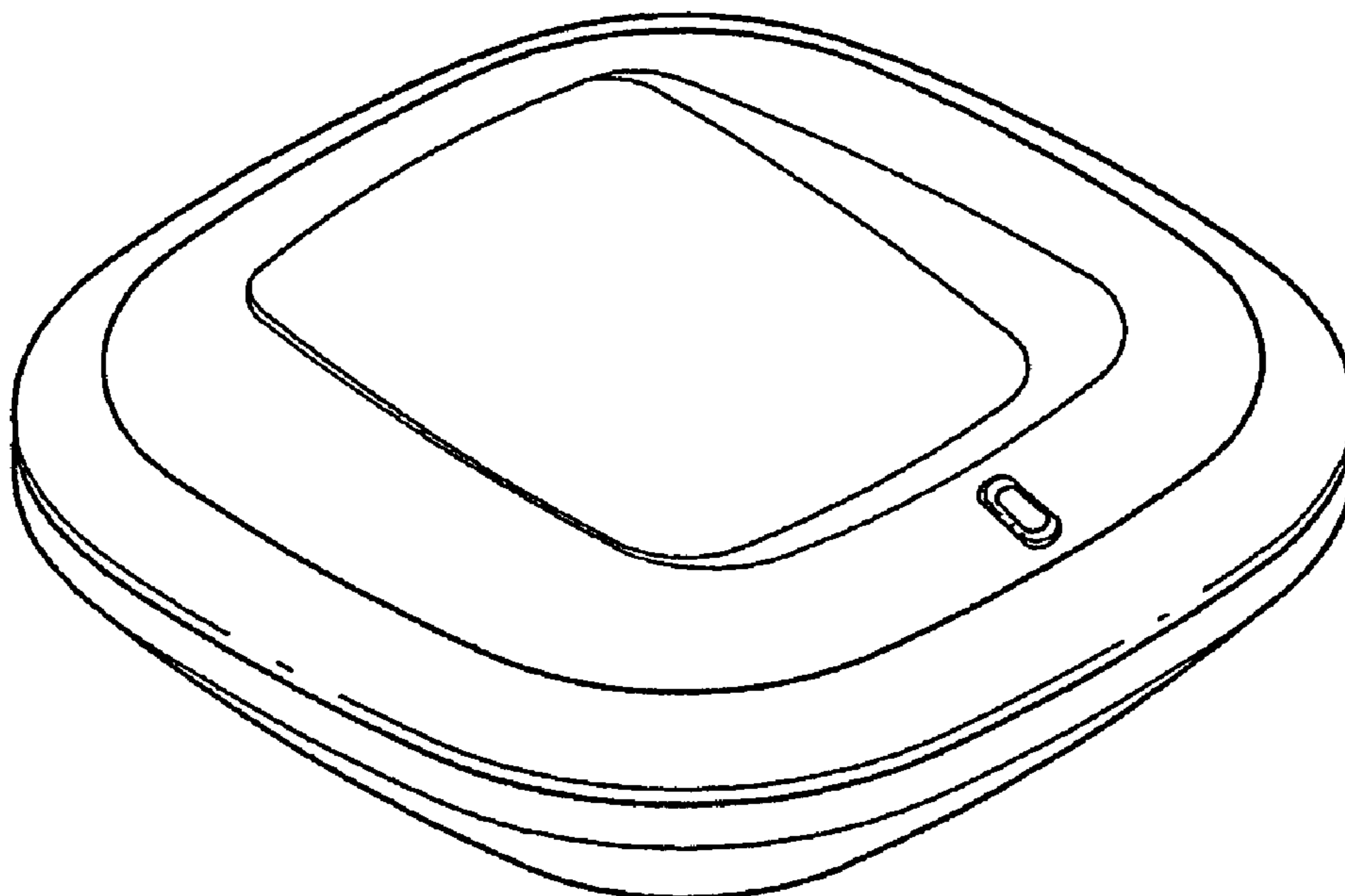


FIG. 1

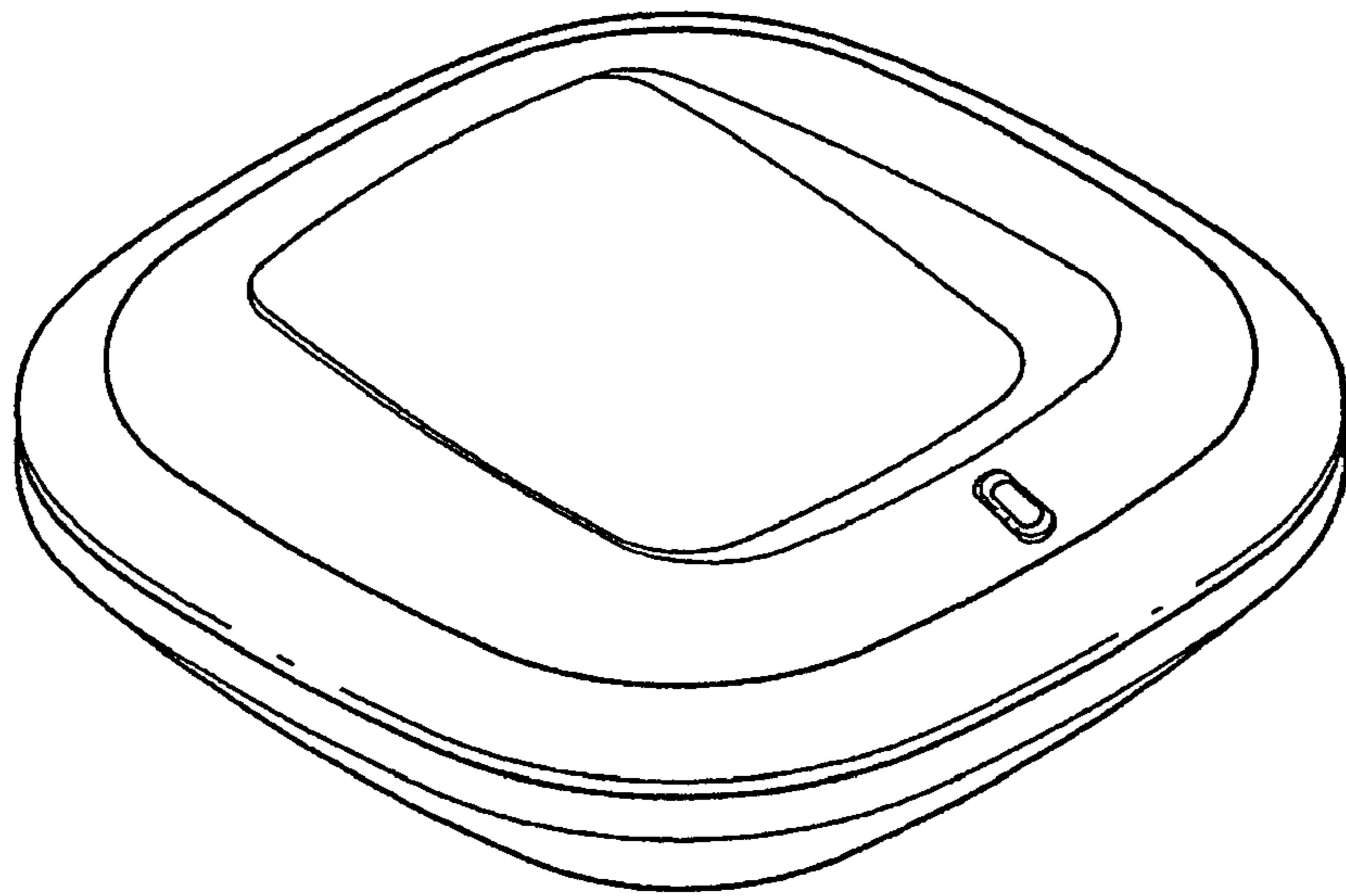


FIG. 2

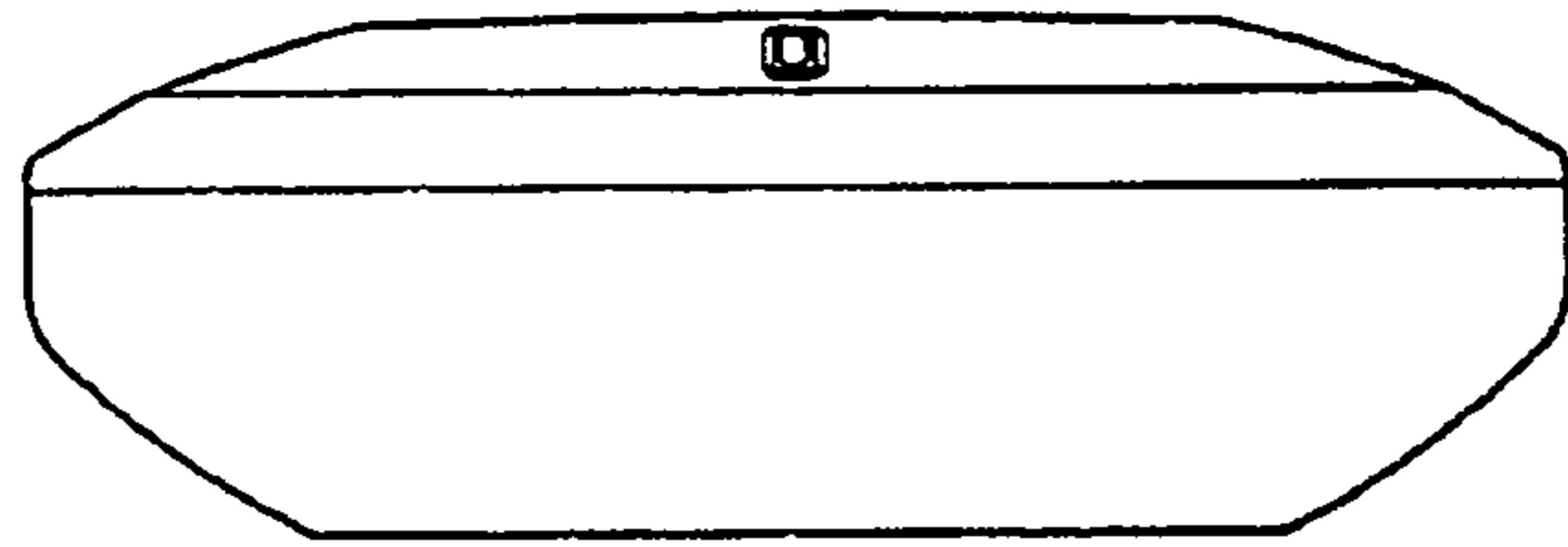


FIG. 3

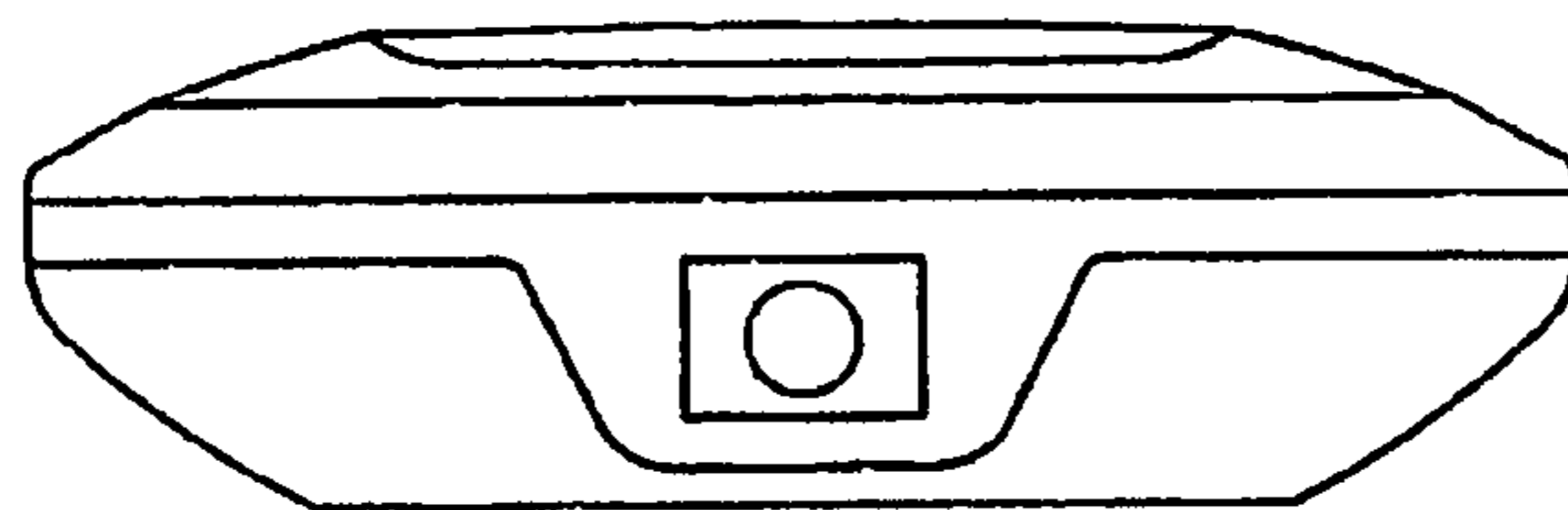


FIG. 4

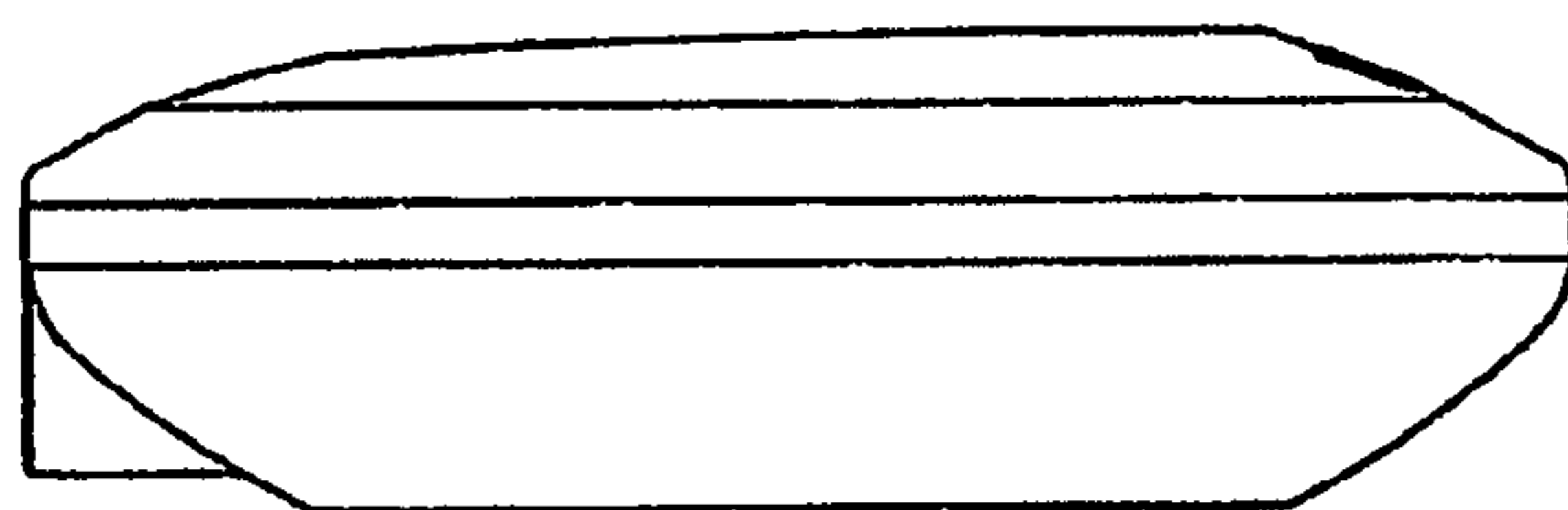


FIG. 5

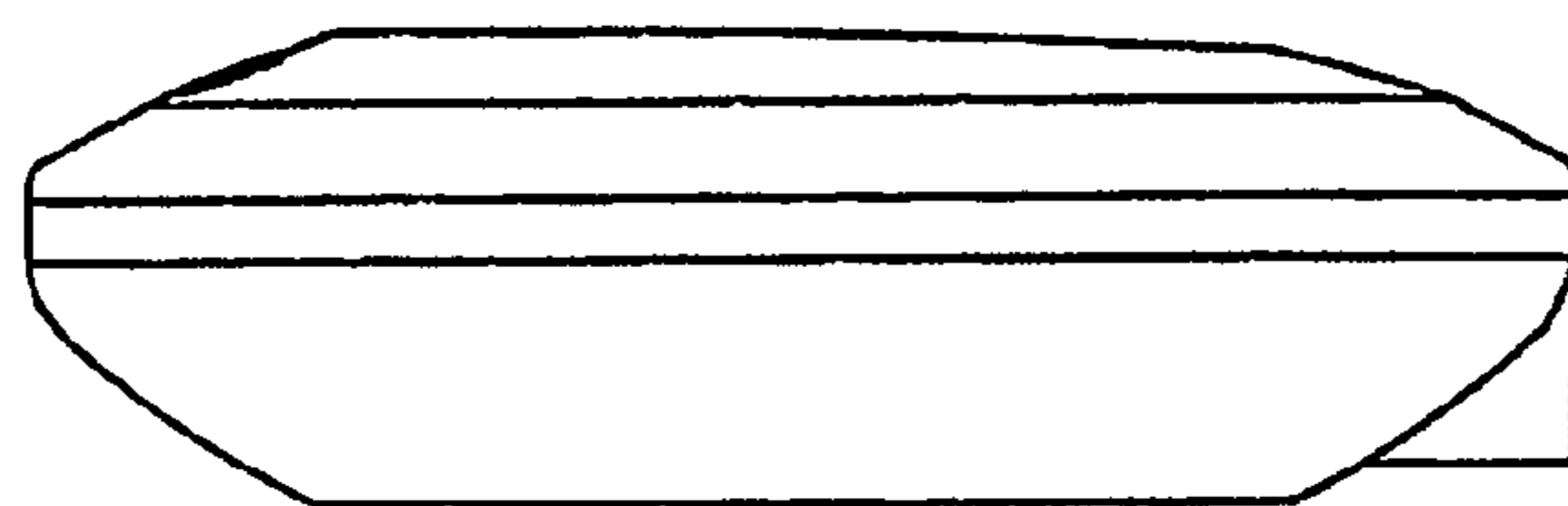


FIG. 6

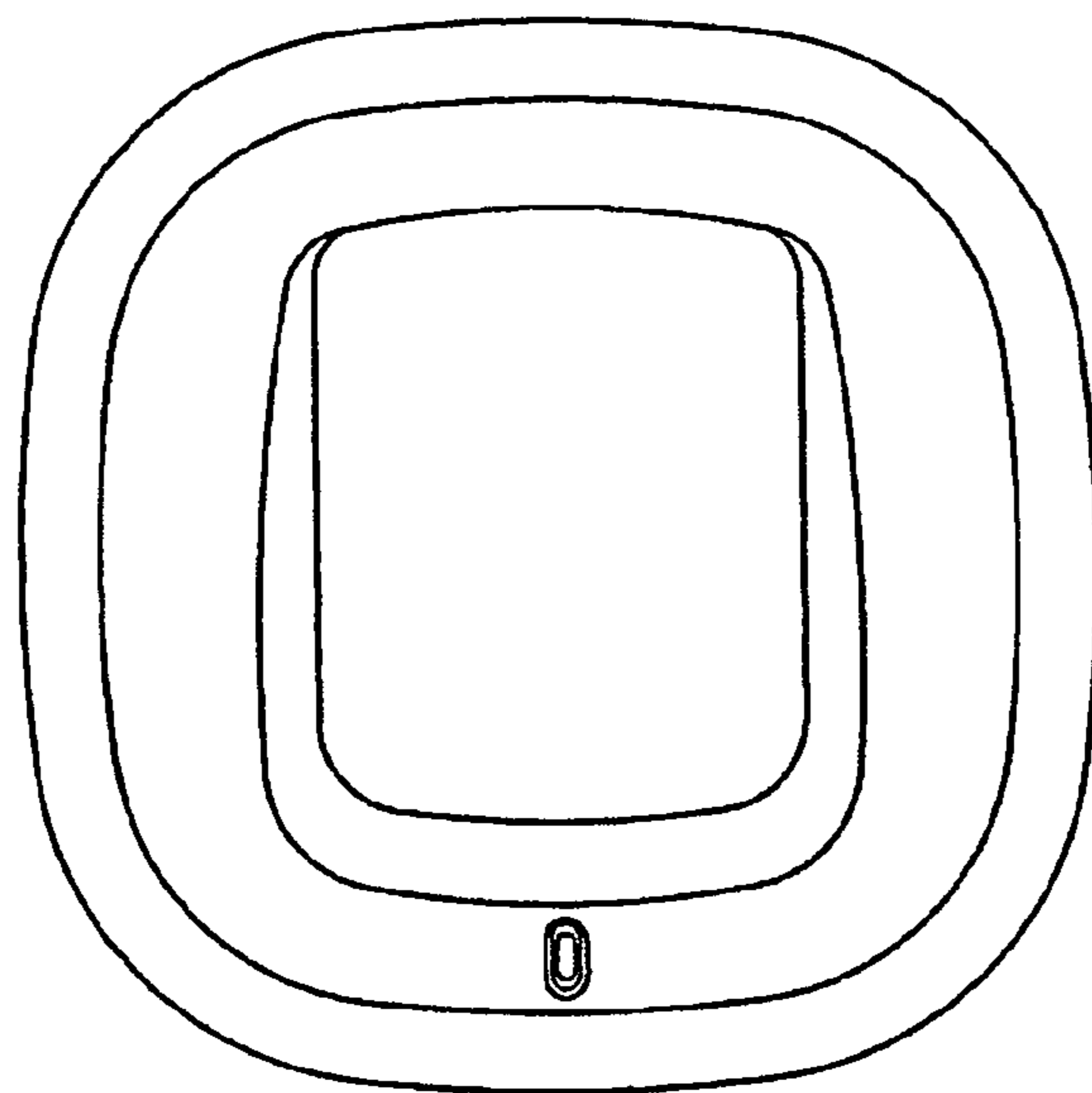


FIG. 7

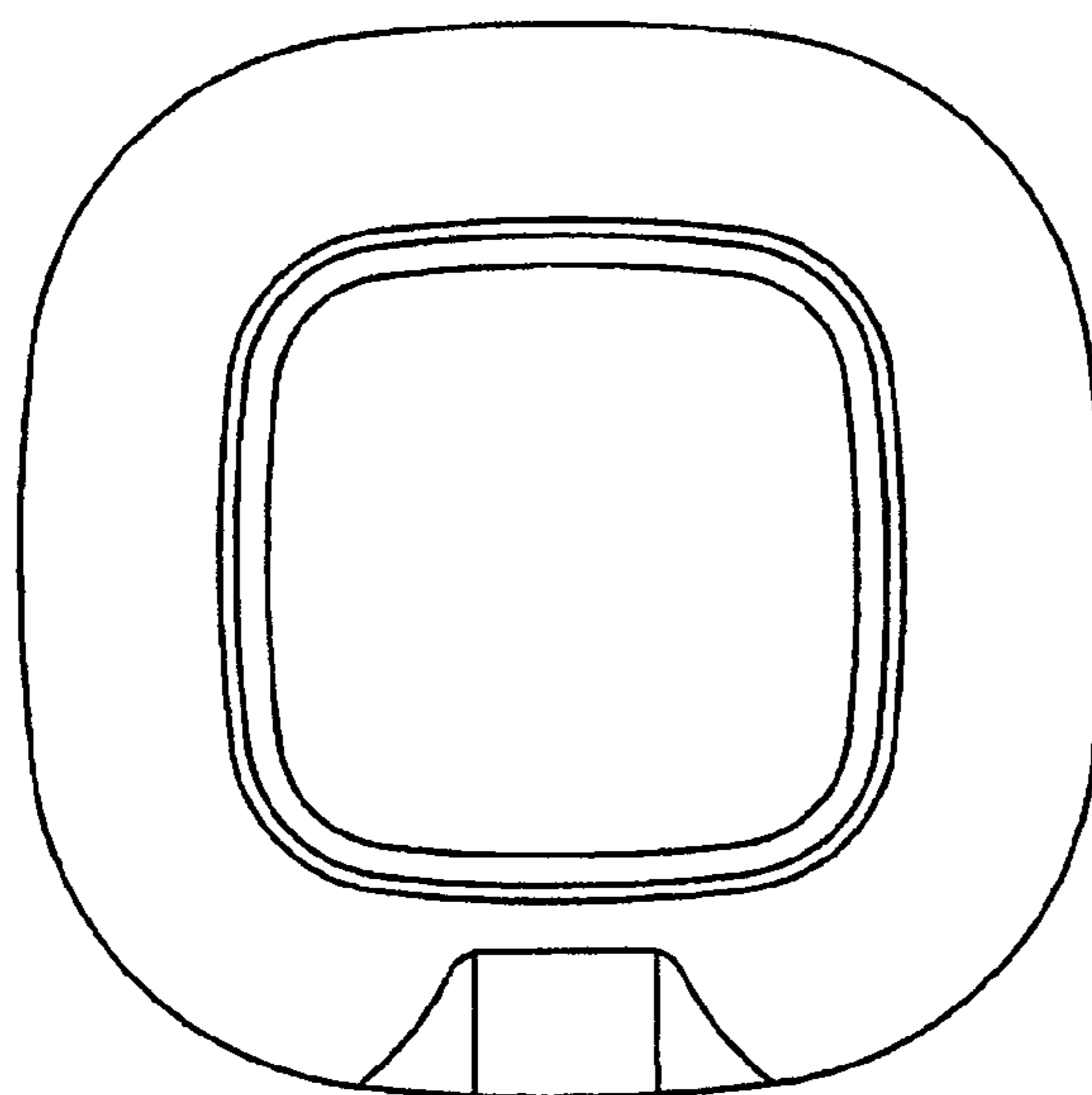


FIG. 8

