



US00D577333S

(12) **United States Design Patent**  
**Daniel et al.**

(10) **Patent No.:** **US D577,333 S**  
(45) **Date of Patent:** **\*\* Sep. 23, 2008**

(54) **RECHARGEABLE BATTERY ASSEMBLY**

D459,297 S \* 6/2002 Searle ..... D13/103

(75) Inventors: **Simon Richard Daniel**, Surrey (GB);  
**Christopher Verity Wright**, Stroud (GB)

\* cited by examiner

*Primary Examiner*—Cathron Brooks

*Assistant Examiner*—Rosemary K Tarcza

(74) *Attorney, Agent, or Firm*—Conley Rose, P.C.

(73) Assignee: **Moxia Energy Holdings Limited**,  
London (GB)

(57) **CLAIM**

(\*\*) Term: **14 Years**

The ornamental design for a rechargeable battery assembly,  
as shown and described.

(21) Appl. No.: **29/247,130**

**DESCRIPTION**

(22) Filed: **Jun. 1, 2006**

(51) **LOC (8) Cl.** ..... **13-02**

(52) **U.S. Cl.** ..... **D13/103**

(58) **Field of Classification Search** ..... D13/102–106,  
D13/110, 118–119, 184; 429/96–100, 163,  
429/176

FIG. 1 is a perspective view from one end and the side of a rechargeable battery assembly with the cap on showing our new design. The broken line showing is included for the purpose of illustrating environmental features and forms no part of the claimed design;

See application file for complete search history.

FIG. 2 is a perspective view from the other end and the side of a rechargeable battery assembly shown in FIG. 1 with the cap on. The broken line showing is included for the purpose of illustrating environmental features and forms no part of the claimed design;

(56) **References Cited**

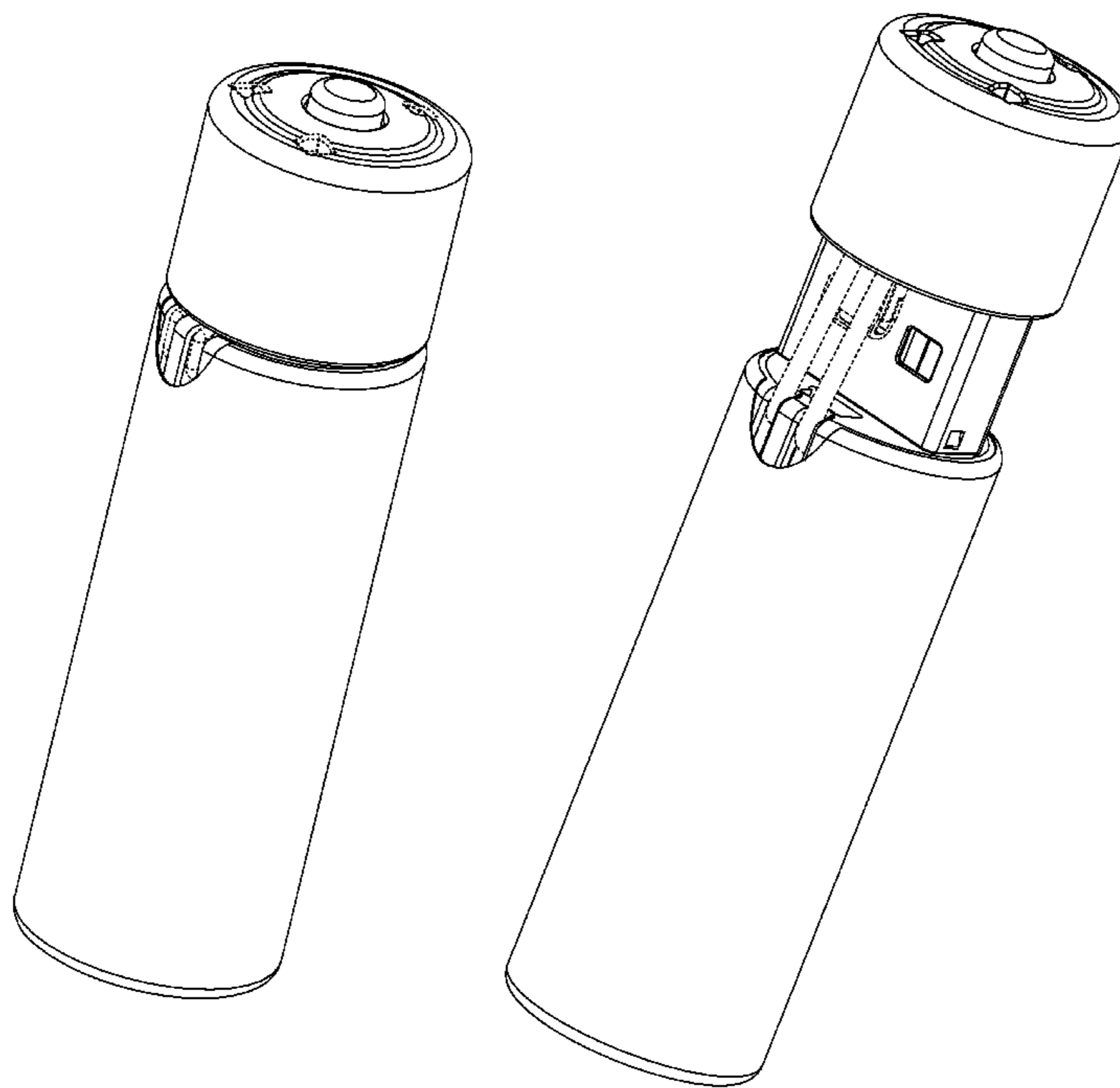
**U.S. PATENT DOCUMENTS**

2,123,713	A	*	7/1938	Clark et al.	.....	361/539
D376,579	S	*	12/1996	Bunyea et al.	.....	D13/103
D388,051	S	*	12/1997	Harada et al.	.....	D13/103
D392,249	S	*	3/1998	Nakazawa et al.	.....	D13/103
D393,829	S	*	4/1998	Shimizu	.....	D13/103
D413,565	S	*	9/1999	Nakayama	.....	D13/103
D413,858	S	*	9/1999	Murakami et al.	.....	D13/103
D427,140	S	*	6/2000	Luh et al.	.....	D13/103
D427,141	S	*	6/2000	Luh et al.	.....	D13/103
D427,142	S	*	6/2000	Luh et al.	.....	D13/103
D428,385	S	*	7/2000	Luh et al.	.....	D13/103
D457,131	S	*	5/2002	Kitoh et al.	.....	D13/103

FIG. 3 is a perspective view from the other end and the side of a rechargeable battery assembly shown in FIG. 1 with the cap partially off. The broken line showing is included for the purpose of illustrating environmental features and forms no part of the claimed design; and,

FIG. 4 is a side elevation of rechargeable battery assembly shown in FIG. 1 with the cap off. The broken line showing is included for the purpose of illustrating environmental features and forms no part of the claimed design.

**1 Claim, 4 Drawing Sheets**



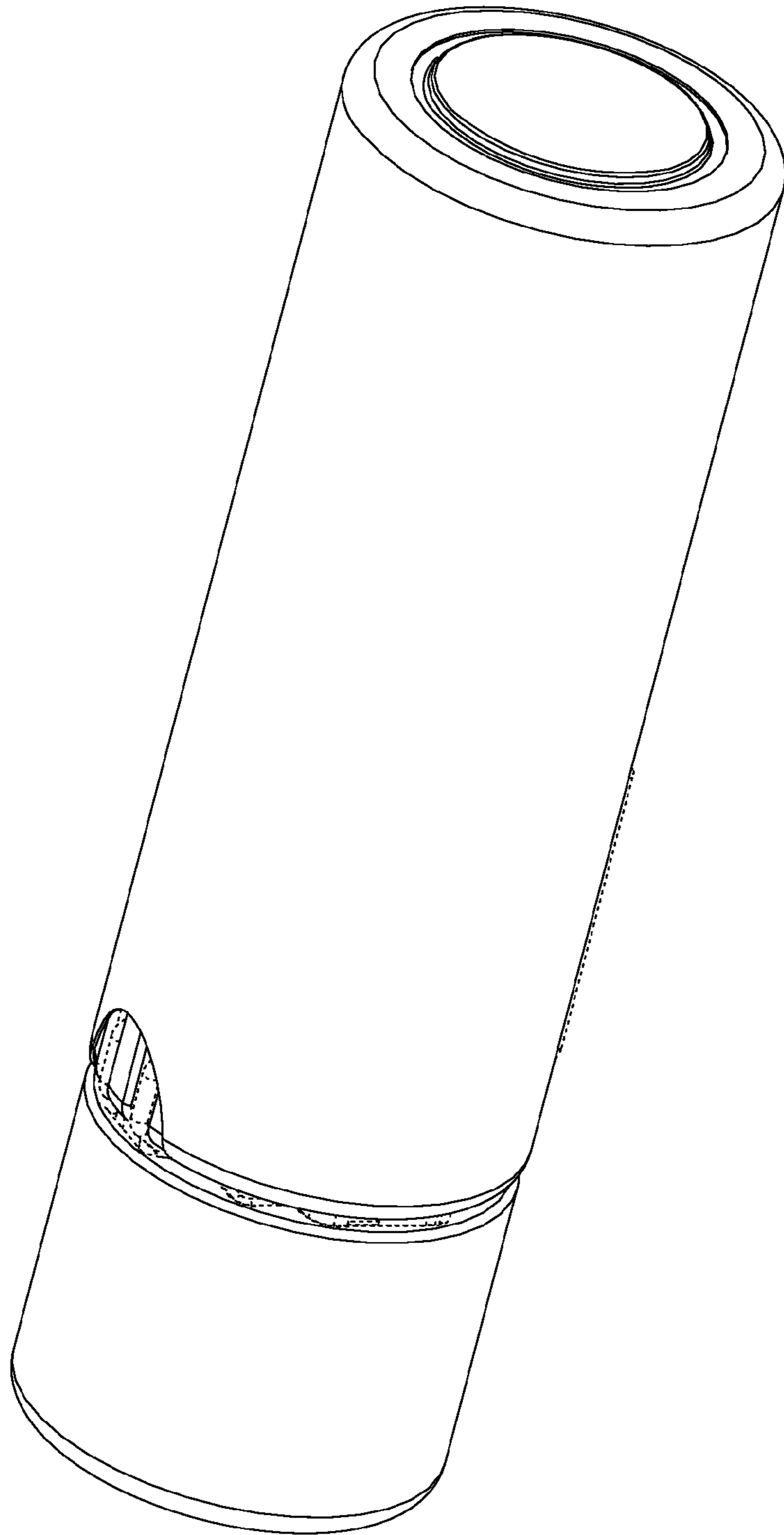


Figure 1

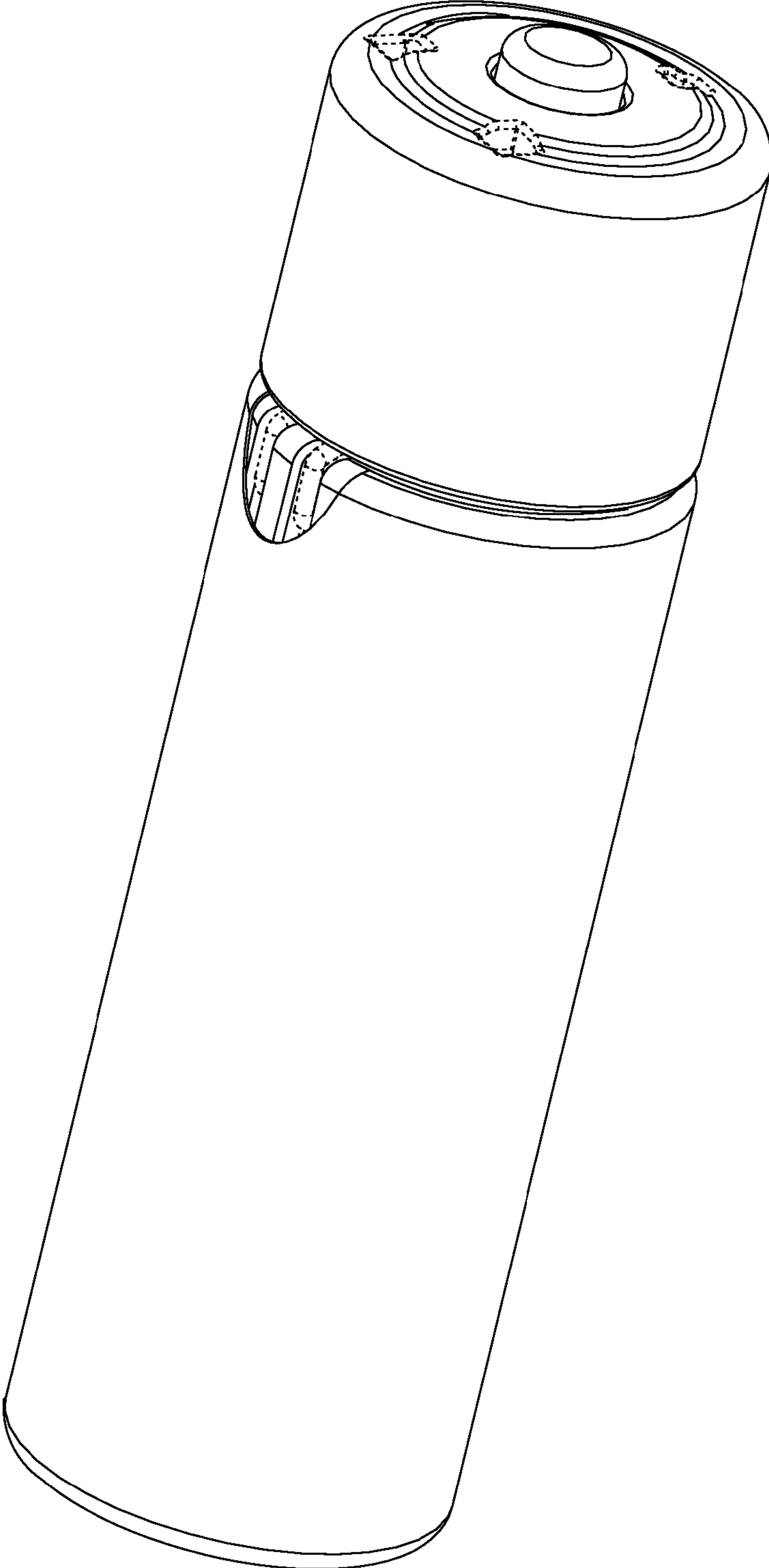


Figure 2

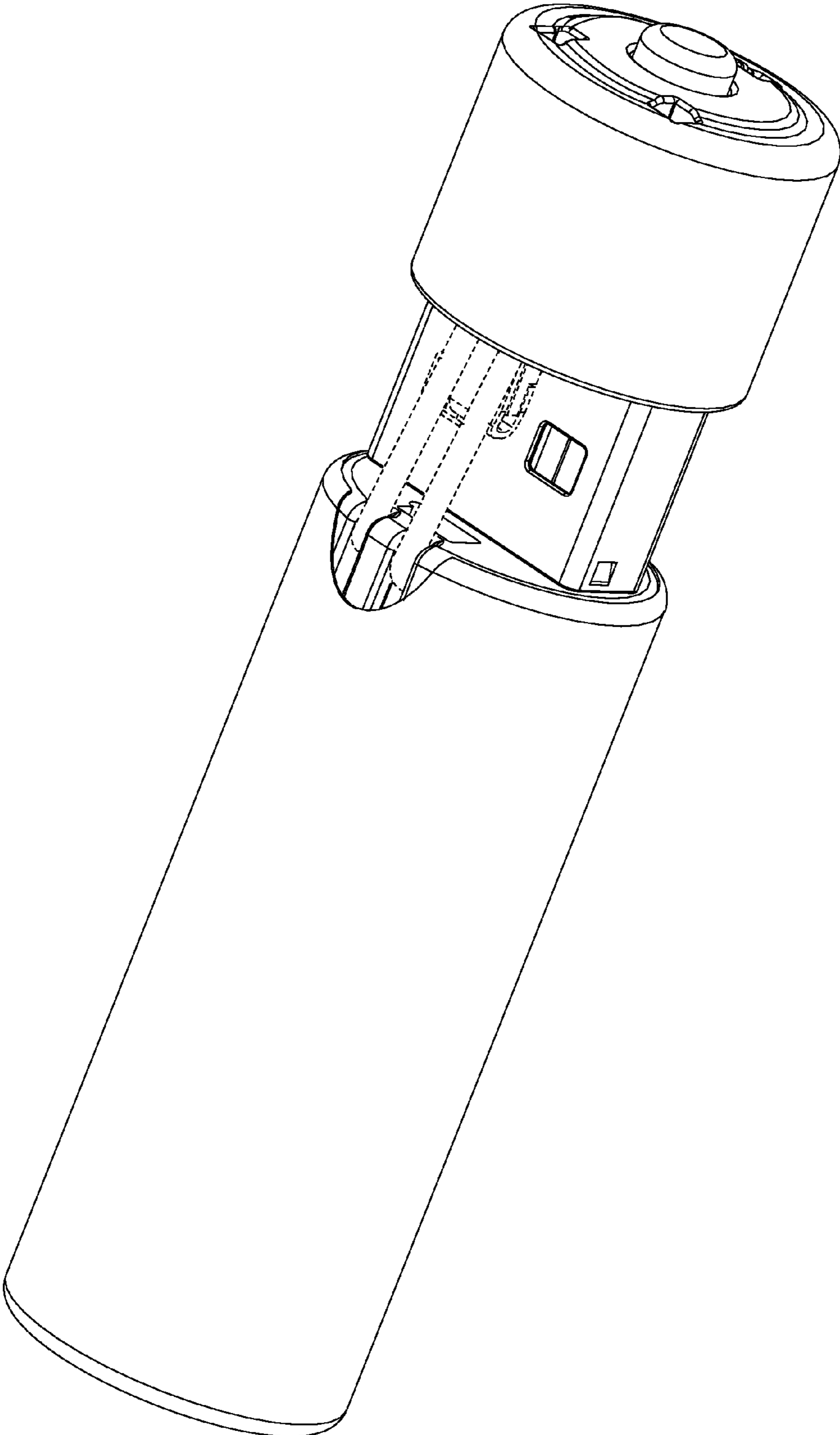


Figure 3

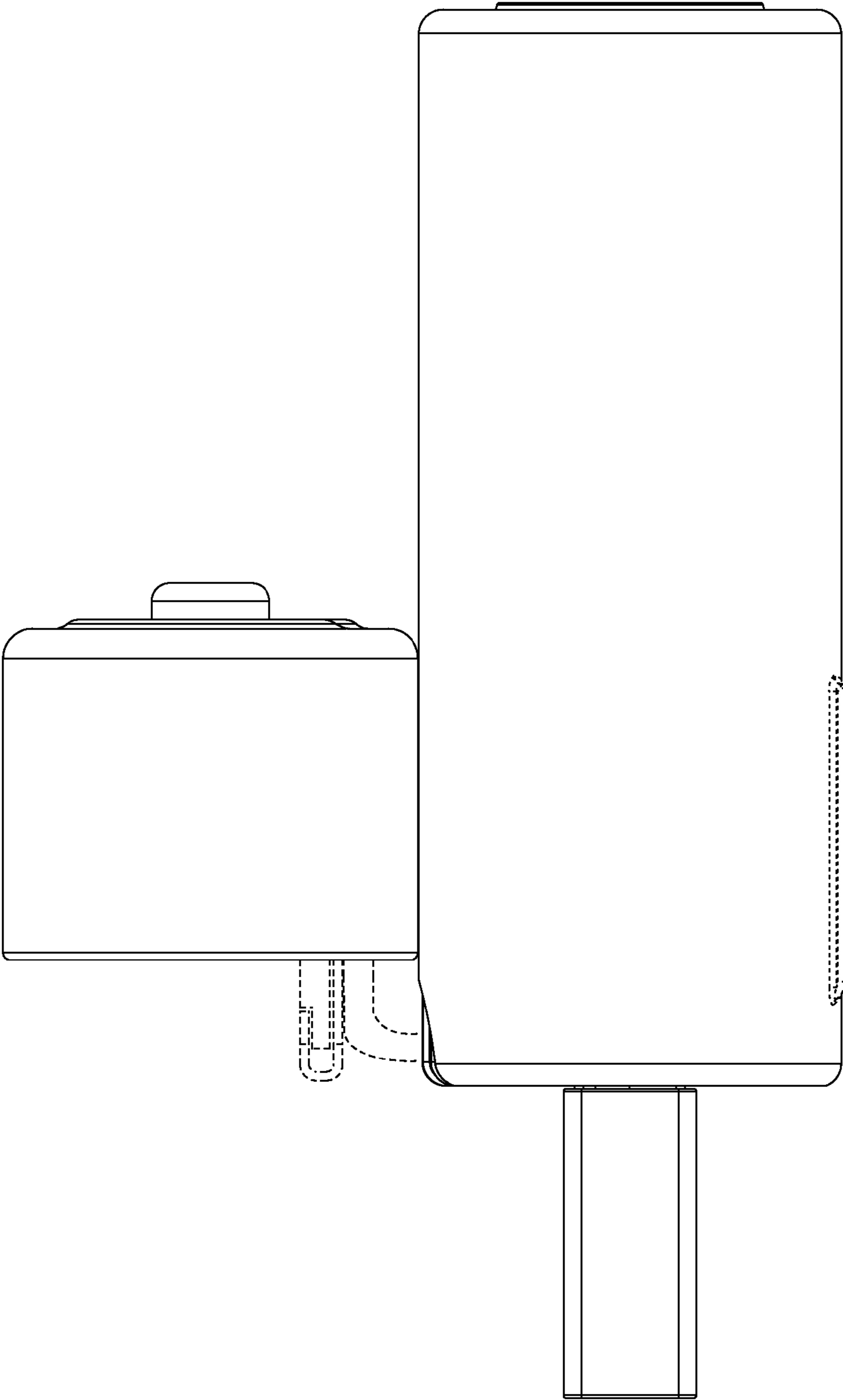


Figure 4