



US00D577331S

(12) **United States Design Patent**  
**Ochi**

(10) **Patent No.:** **US D577,331 S**

(45) **Date of Patent:** **\*\* Sep. 23, 2008**

(54) **SHOULDER TREAD FOR A TIRE**

D563,311 S \* 3/2008 Brainerd et al. .... D12/605  
D563,312 S \* 3/2008 Brainerd et al. .... D12/605

(75) Inventor: **Naoya Ochi**, Tokyo (JP)

\* cited by examiner

(73) Assignee: **Bridgestone Corporation**, Tokyo (JP)

*Primary Examiner*—Stacia Cadmus

(\*\*) Term: **14 Years**

(74) *Attorney, Agent, or Firm*—Sughrue Mion, PLLC

(21) Appl. No.: **29/303,629**

(57) **CLAIM**

(22) Filed: **Feb. 13, 2008**

The ornamental design for a shoulder tread for a tire, shown and described.

(51) **LOC (8) Cl.** ..... **12-15**

(52) **U.S. Cl.** ..... **D12/605**

(58) **Field of Classification Search** ..... D12/500–501,  
D12/544, 579, 600, 605, 604; 152/523–524,  
152/DIG. 12, 555

See application file for complete search history.

**DESCRIPTION**

FIG. 1 is a perspective view of a tire tread, it being understood that the tread pattern repeats uniformly throughout the circumference of the tire.

FIG. 2 is a front elevation view thereof.

FIG. 3 is a left side elevation view thereof; and,

FIG. 4 is an enlarged view of the portion 4 in FIG. 1.

The portion of the article shown in broken lines is for illustrative purpose only and forms no part of the claimed design.

(56) **References Cited**

U.S. PATENT DOCUMENTS

D432,060 S \* 10/2000 Baker ..... D12/605  
D442,128 S \* 5/2001 Allison ..... D12/605  
D447,449 S \* 9/2001 Guspodin ..... D12/605  
D495,294 S \* 8/2004 Ochi et al. .... D12/605

**1 Claim, 4 Drawing Sheets**

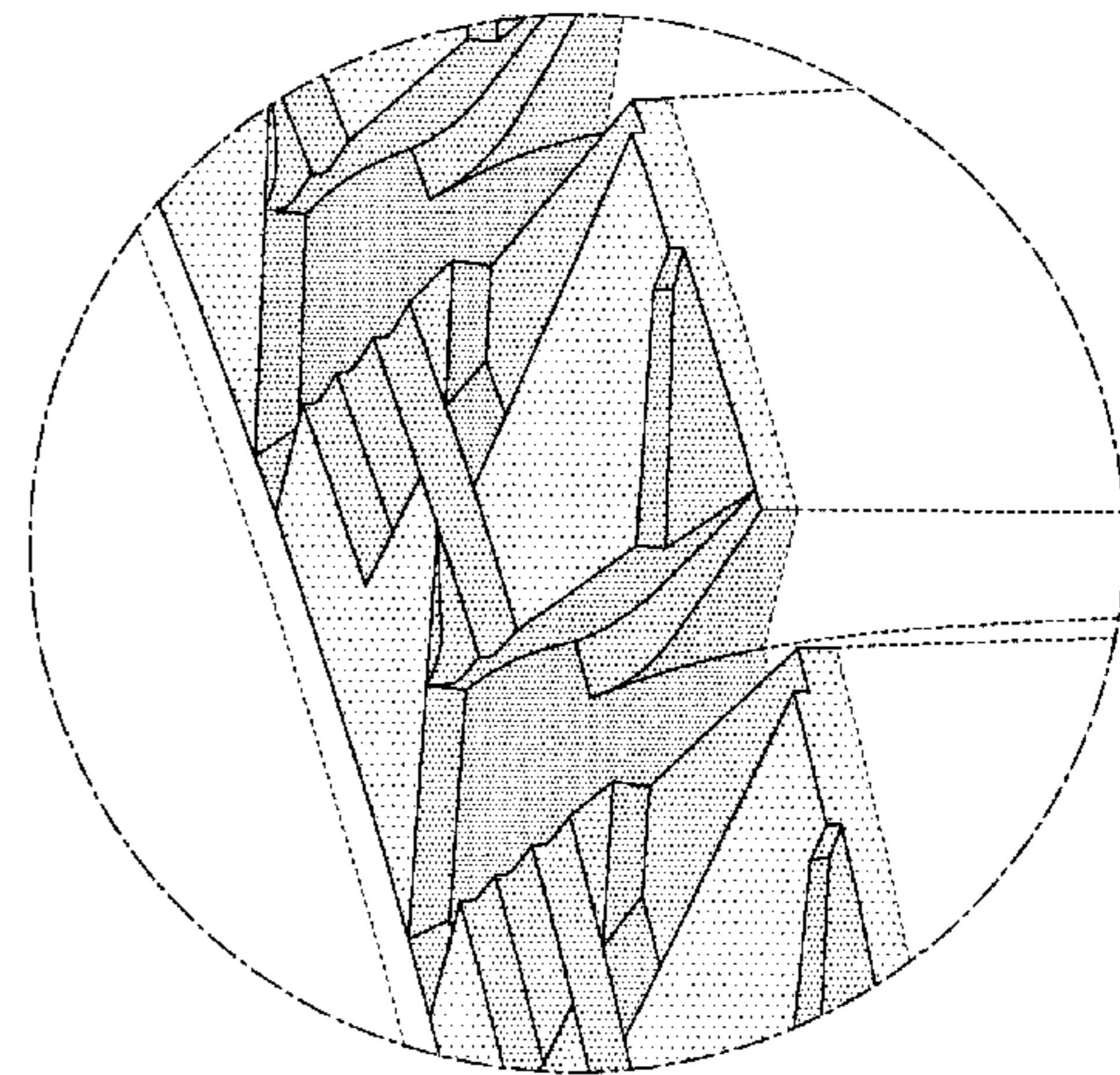
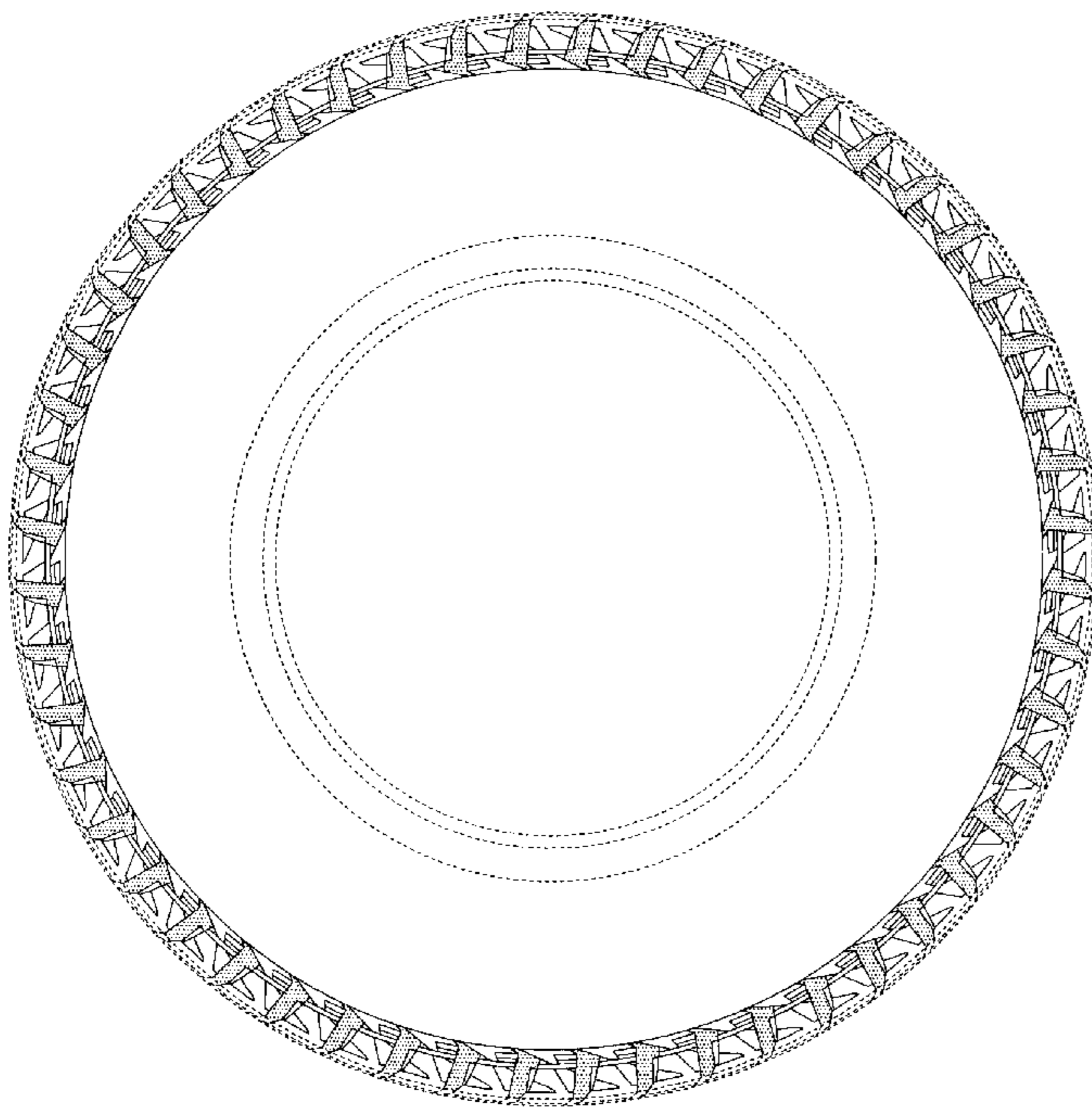


FIG. 1

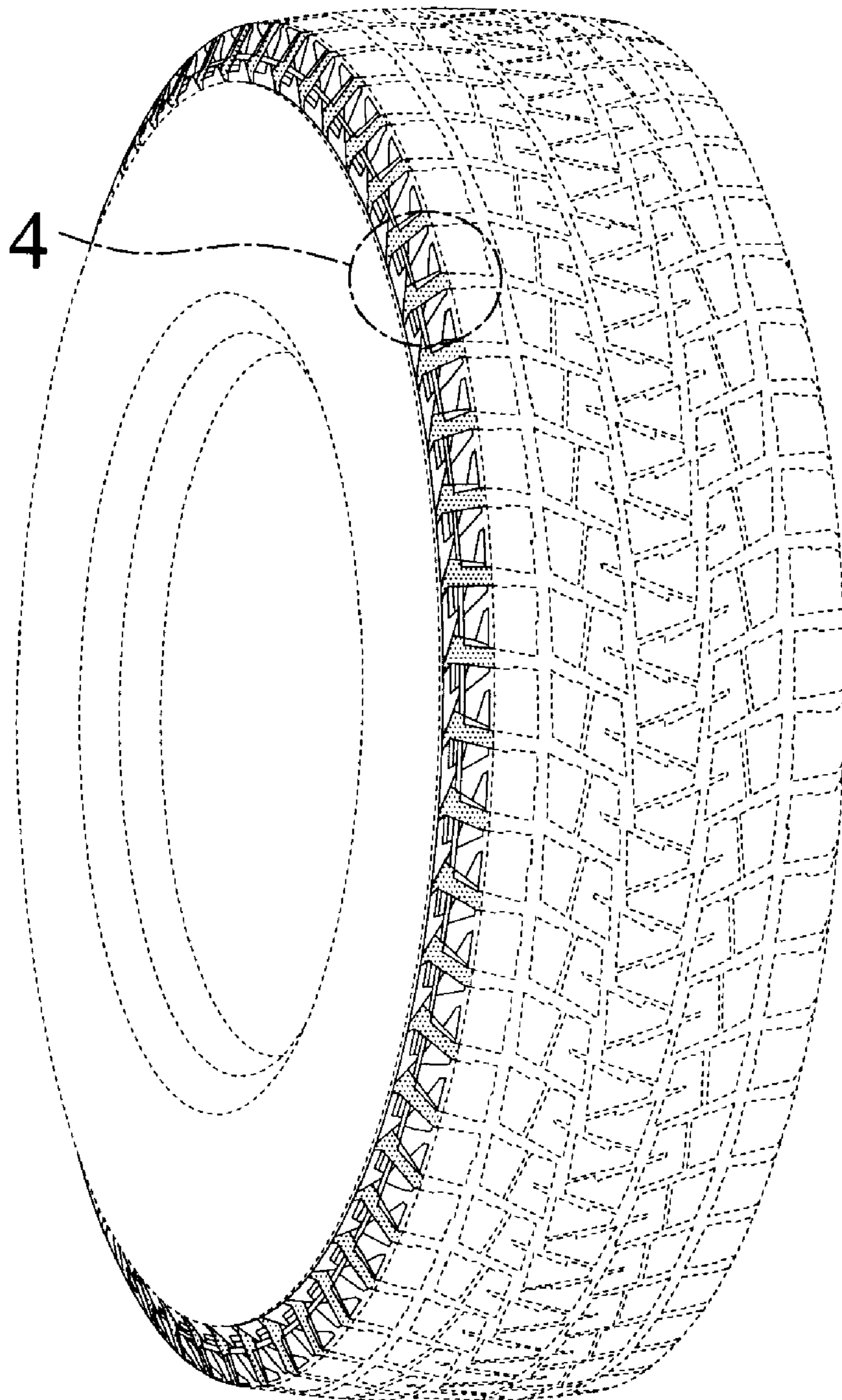


FIG. 2

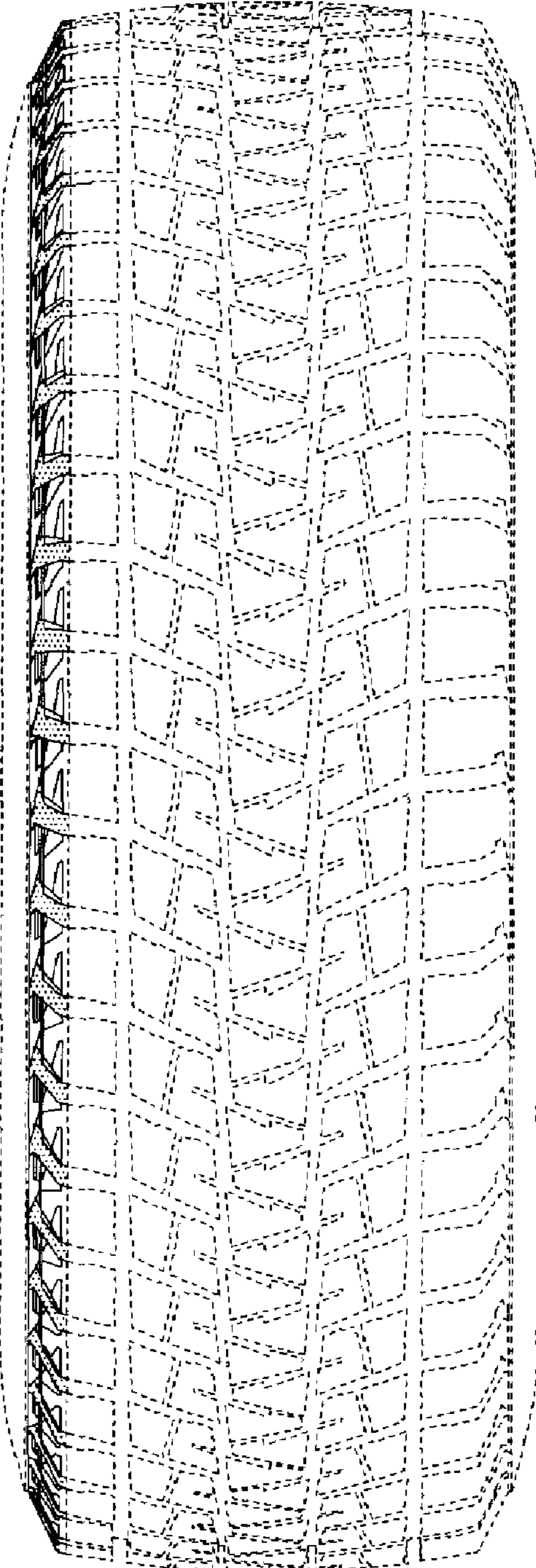


FIG. 3

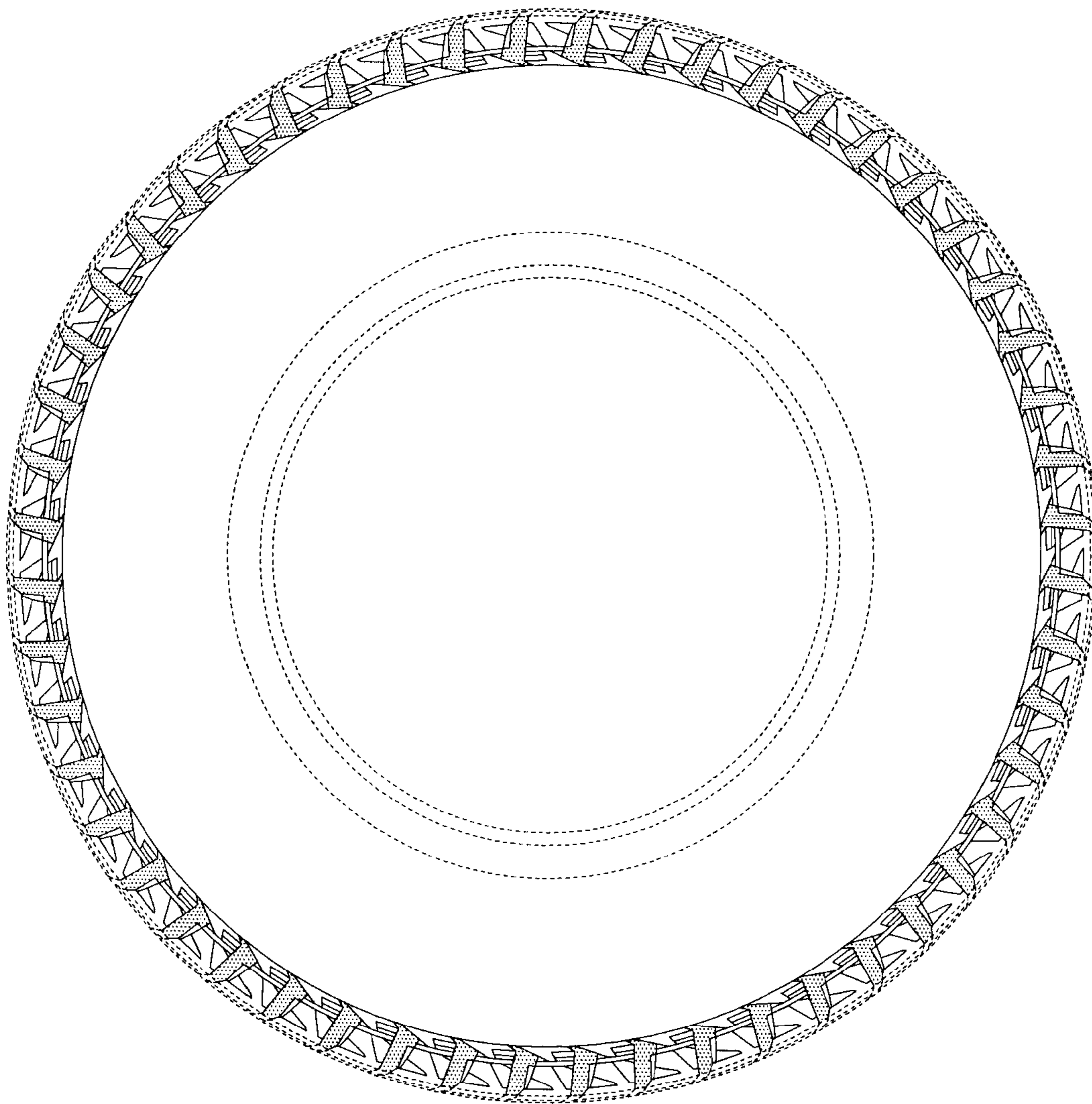


FIG. 4

