



US00D577326S

(12) **United States Design Patent**
Vaughn

(10) **Patent No.:** **US D577,326 S**

(45) **Date of Patent:** **** Sep. 23, 2008**

(54) **PORTION OF A BOAT LADDER**

(57) **CLAIM**

(75) **Inventor:** **Cecil Arlin Vaughn**, P.O. Box 7272,
Grove, OK (US) 74344

The ornamental design for a portion of a boat ladder, as shown and described.

(73) **Assignee:** **Cecil Arlin Vaughn**, Grove, OK (US)

DESCRIPTION

(**) **Term:** **14 Years**

(21) **Appl. No.:** **29/284,559**

(22) **Filed:** **Sep. 11, 2007**

(51) **LOC (8) Cl.** **12-06**

(52) **U.S. Cl.** **D12/317; D25/64**

(58) **Field of Classification Search** **D25/64;**
D12/317; 182/189, 190, 100, 90, 97; 114/362
See application file for complete search history.

FIG. 1 is a perspective view of a boat ladder showing my new design;

FIG. 2 is a left side view thereof;

FIG. 3 is a right side view thereof;

FIG. 4 is a rear side view thereof;

FIG. 5 is a front side view thereof;

FIG. 6 is a top view thereof;

FIG. 7 is a bottom view thereof;

FIG. 8 is a perspective view showing a second embodiment of my new design;

FIG. 9 is a left side view thereof;

FIG. 10 is a right side view thereof;

FIG. 11 is a rear side view thereof;

FIG. 12 is a front side view thereof;

FIG. 13 is a top view thereof; and,

FIG. 14 is a bottom view thereof.

The terms left, right, front and rear, as used herein, are used with reference to the configuration shown in FIG. 5. The broken line showing of various regions in the Figures, including fasteners, fastener receiving apertures, top portion of the pole, bottom step and base assembly, and the unshaded areas there within are for illustrative purposes only and form no part of the claimed design.

(56) **References Cited**

U.S. PATENT DOCUMENTS

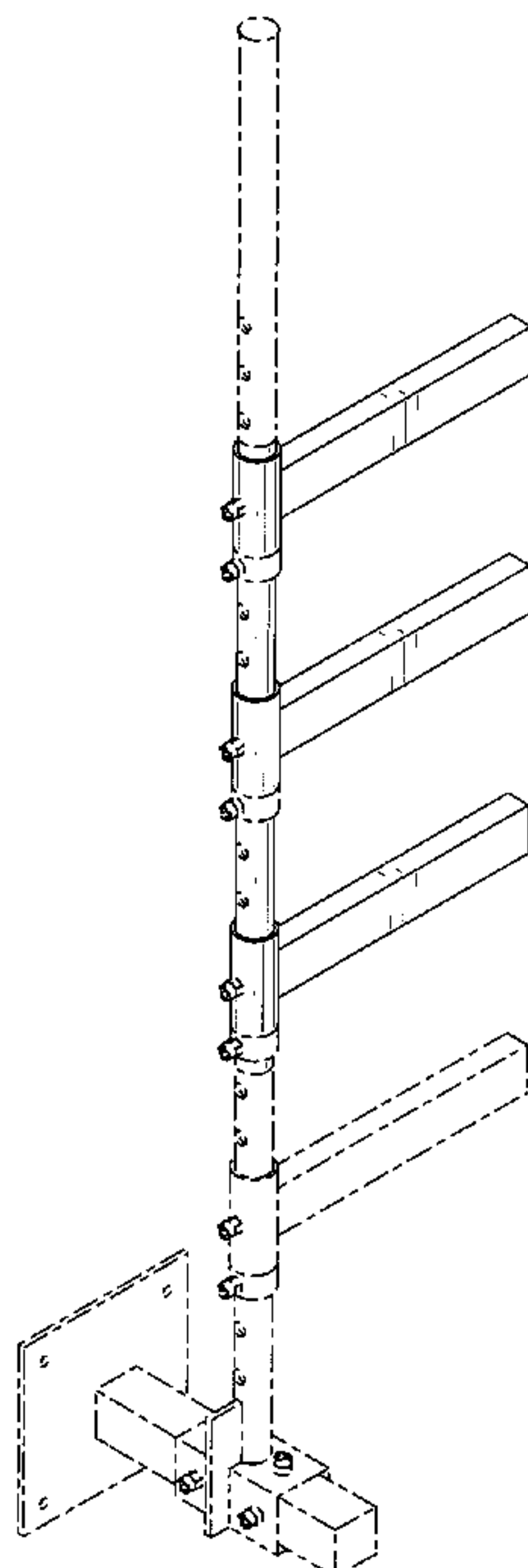
3,869,742	A *	3/1975	Gale et al.	114/362
4,244,443	A	1/1981	Naka		
4,432,436	A	2/1984	Suiter		
5,360,226	A	11/1994	Gussler, Jr. et al.		
D359,470	S *	6/1995	Allyn	D12/317
5,738,362	A	4/1998	Ludwick		
5,863,173	A	1/1999	Bremmer		
5,964,317	A	10/1999	Lattavo		
6,755,146	B1	6/2004	Garelick et al.		
D498,454	S *	11/2004	Garelick et al.	D12/317
6,986,523	B1	1/2006	Bickford		
7,100,740	B2	9/2006	Newton		

* cited by examiner

Primary Examiner—Doris Clark

(74) *Attorney, Agent, or Firm*—Banner & Witcoff, LTD

1 Claim, 12 Drawing Sheets



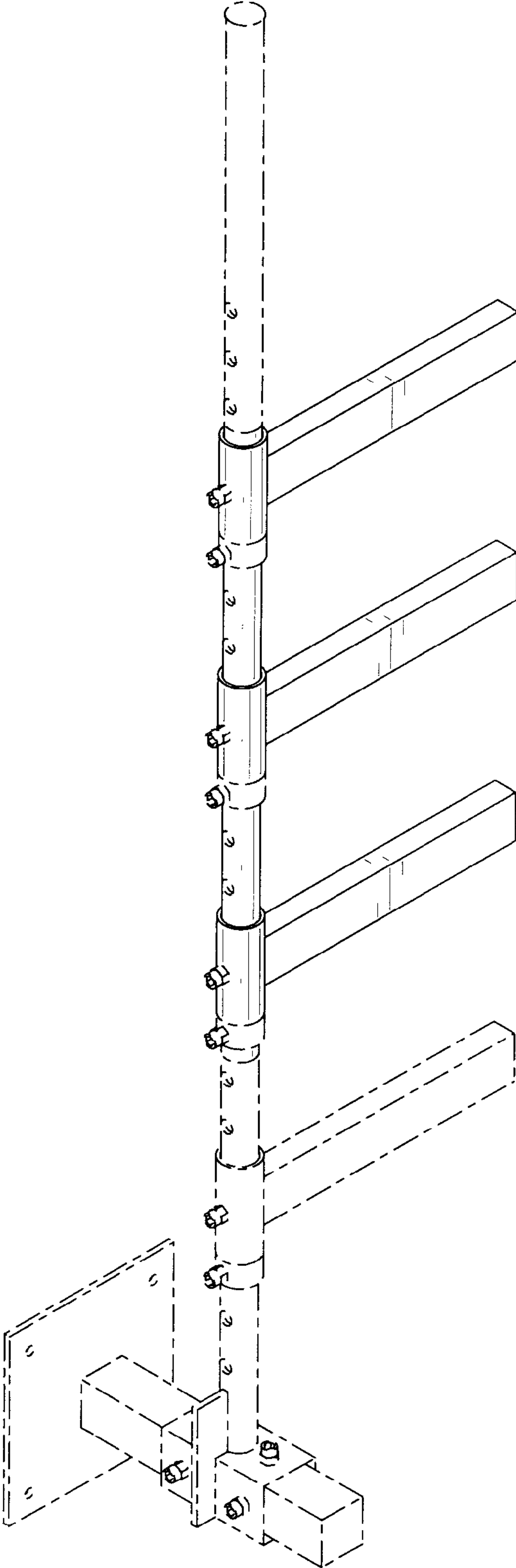


FIG. 1

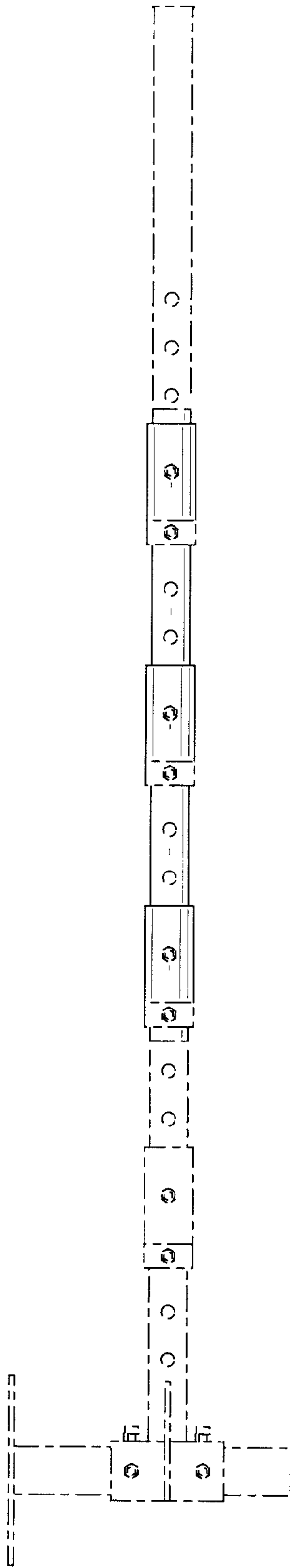


FIG. 2

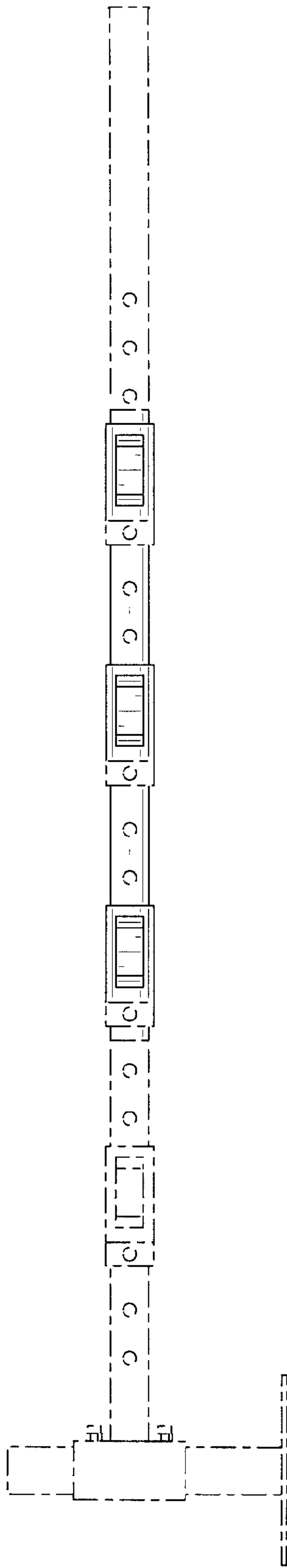


FIG. 3

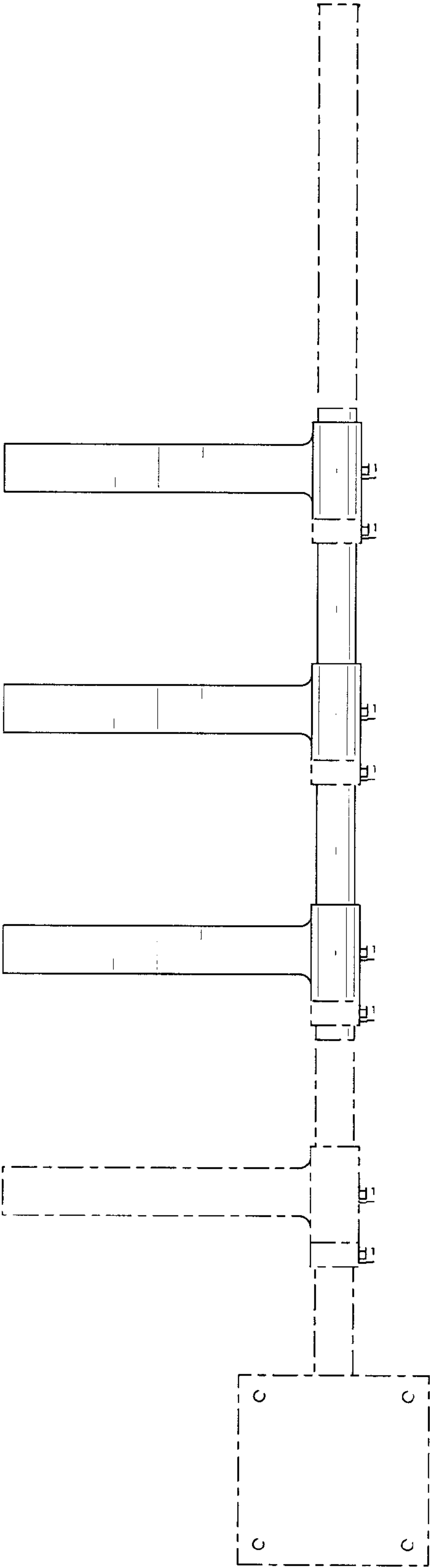


FIG. 4

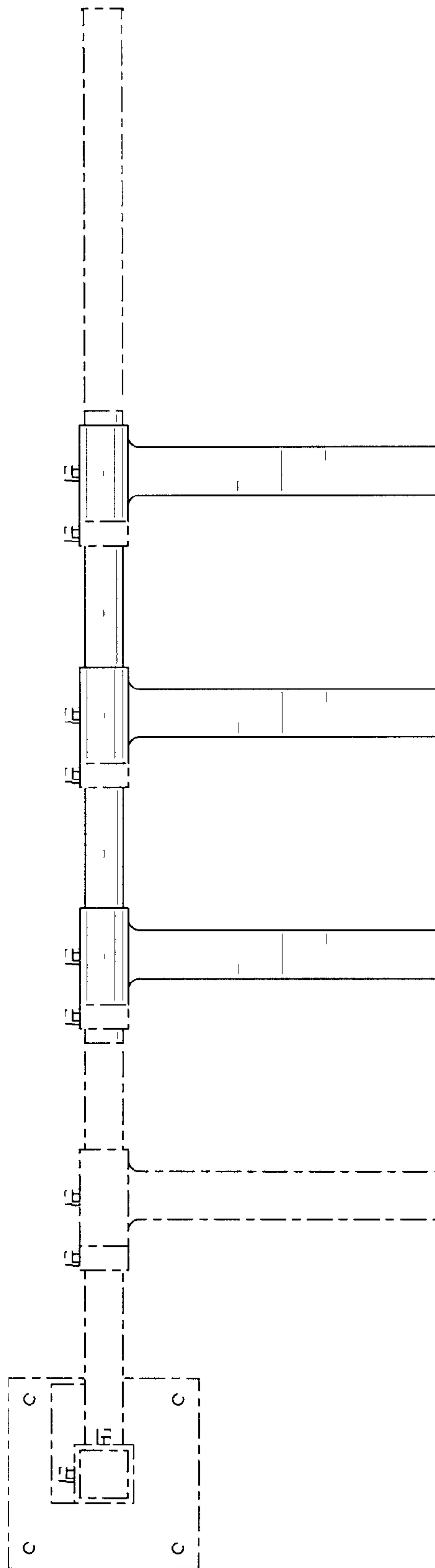


FIG. 5

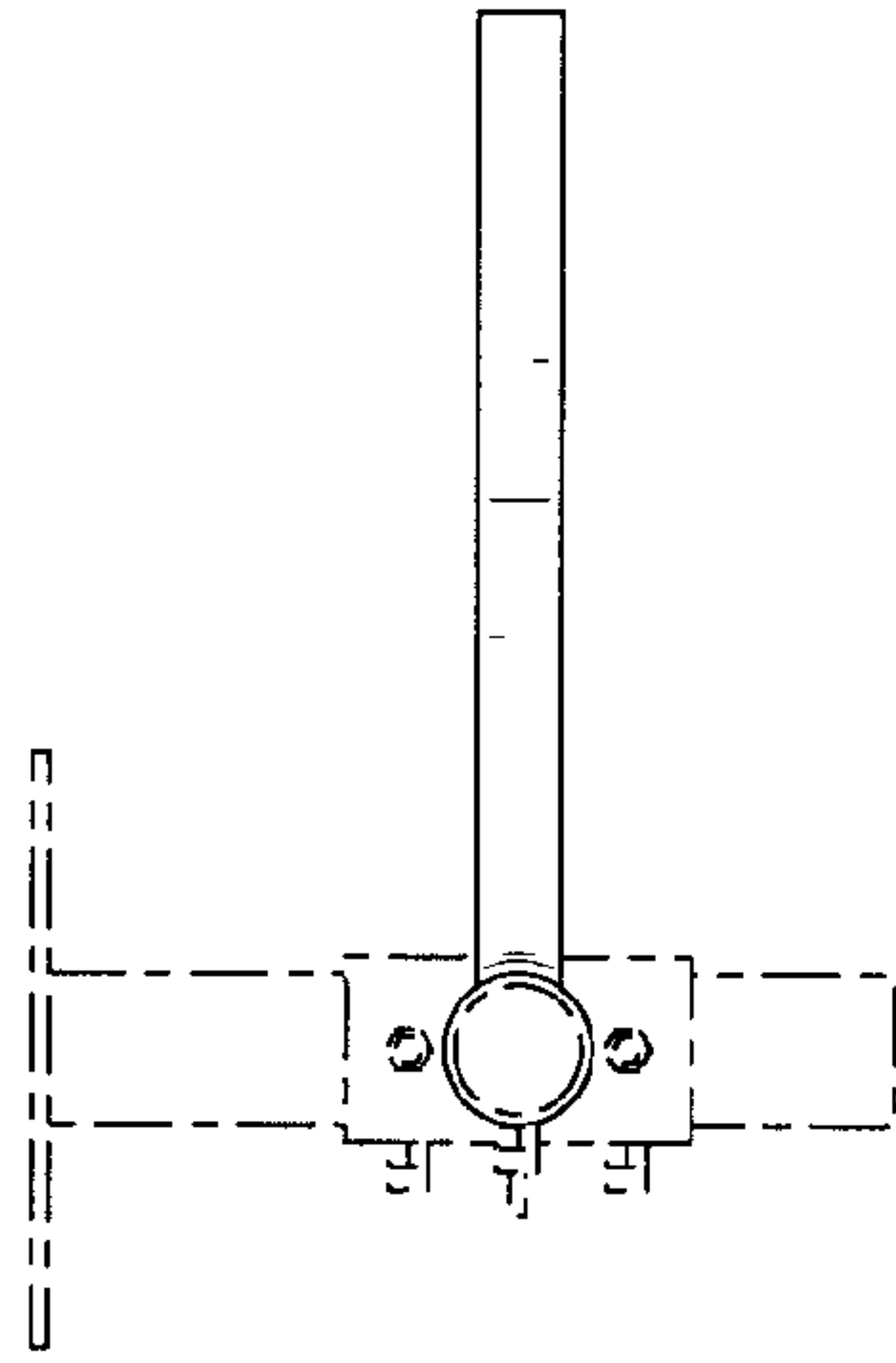


FIG. 6

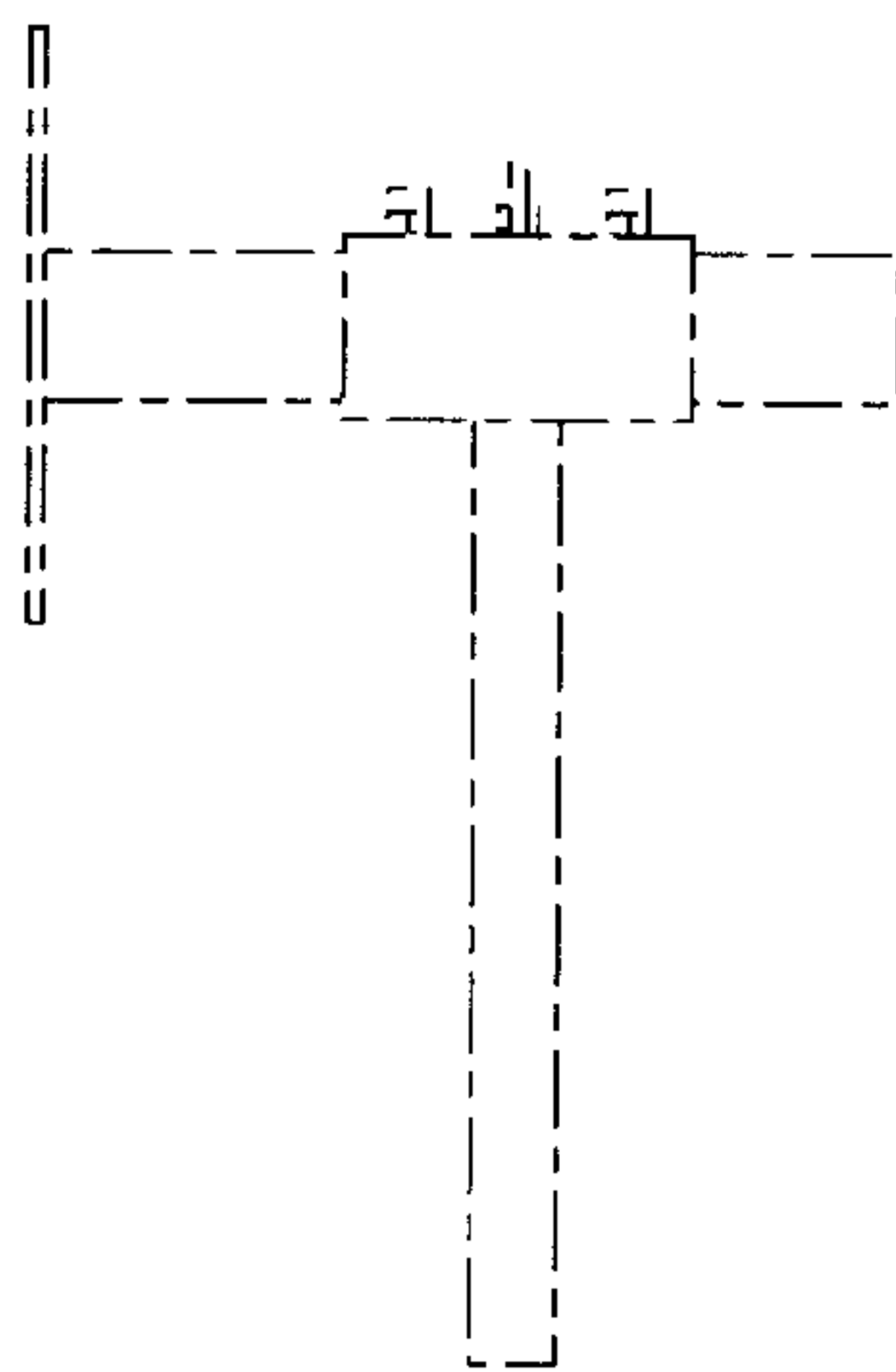


FIG. 7

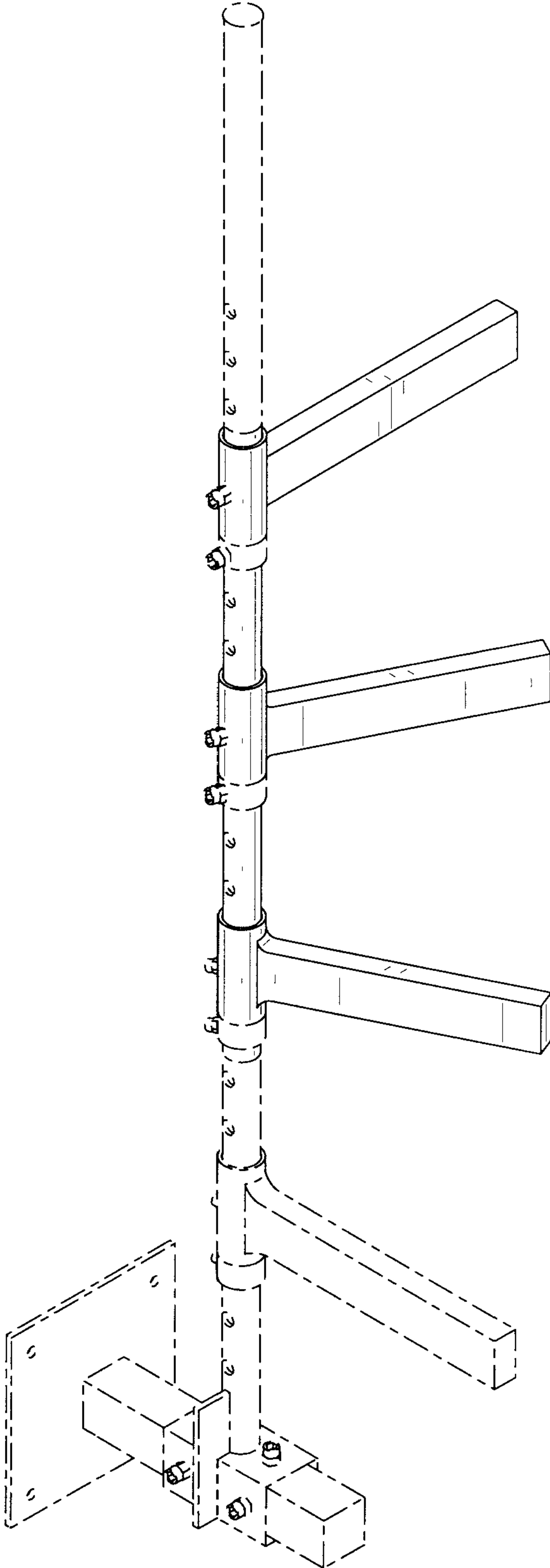


FIG. 8

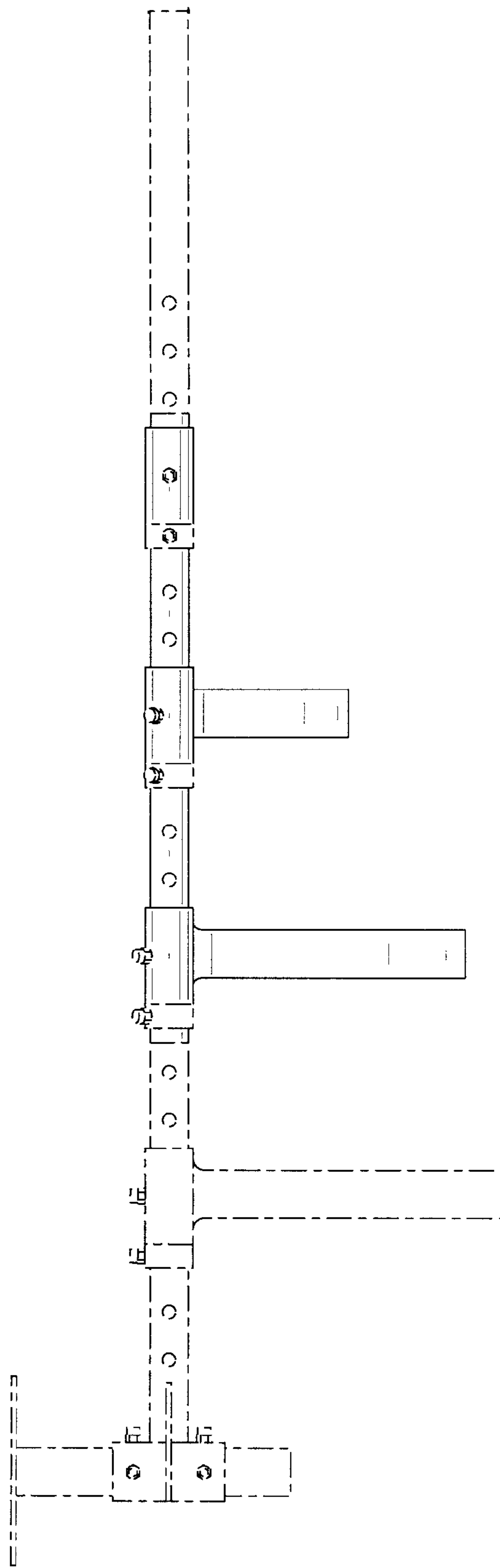


FIG. 9

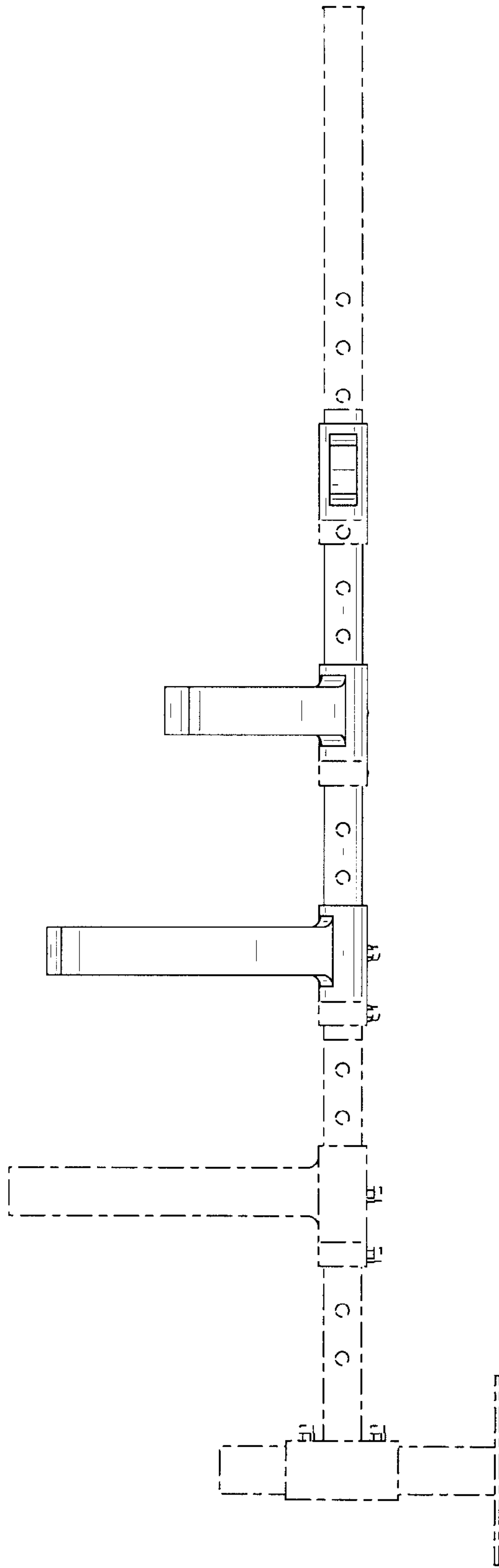


FIG. 10

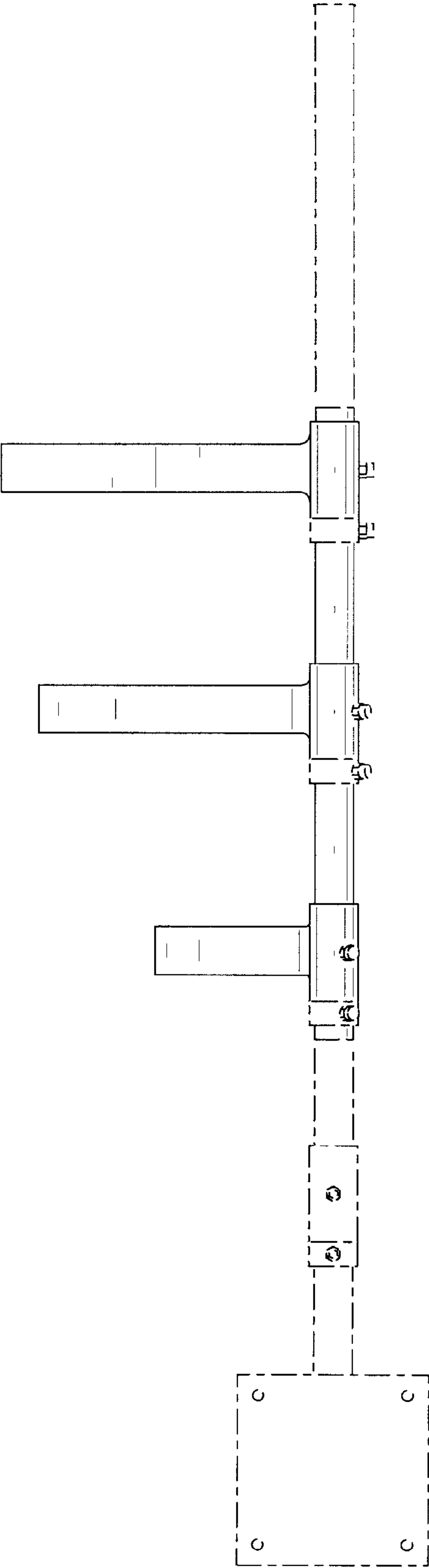


FIG. 11

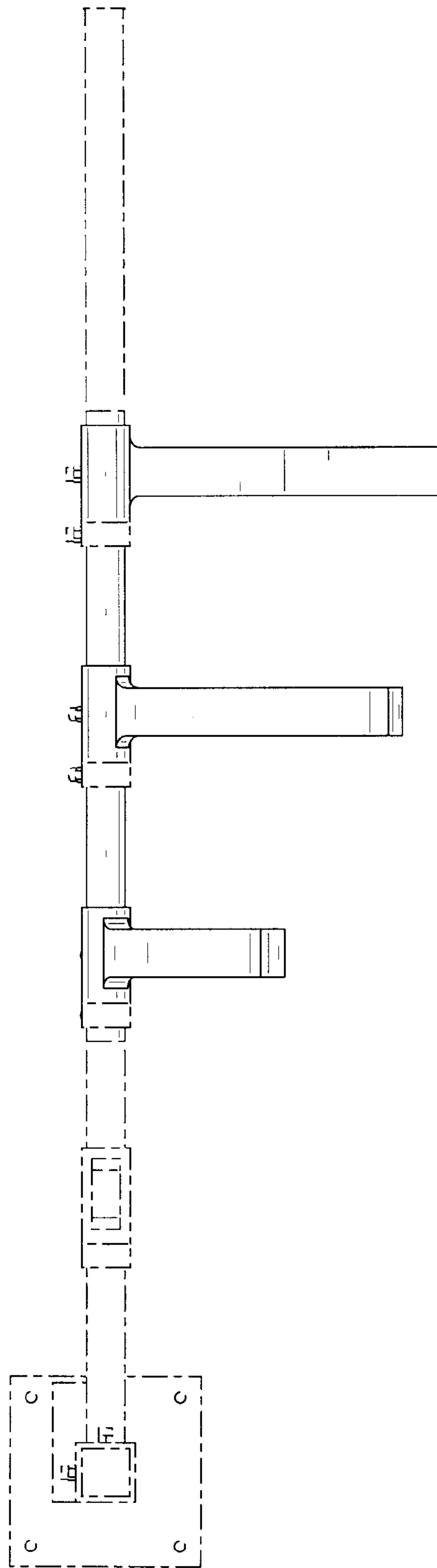


FIG. 12

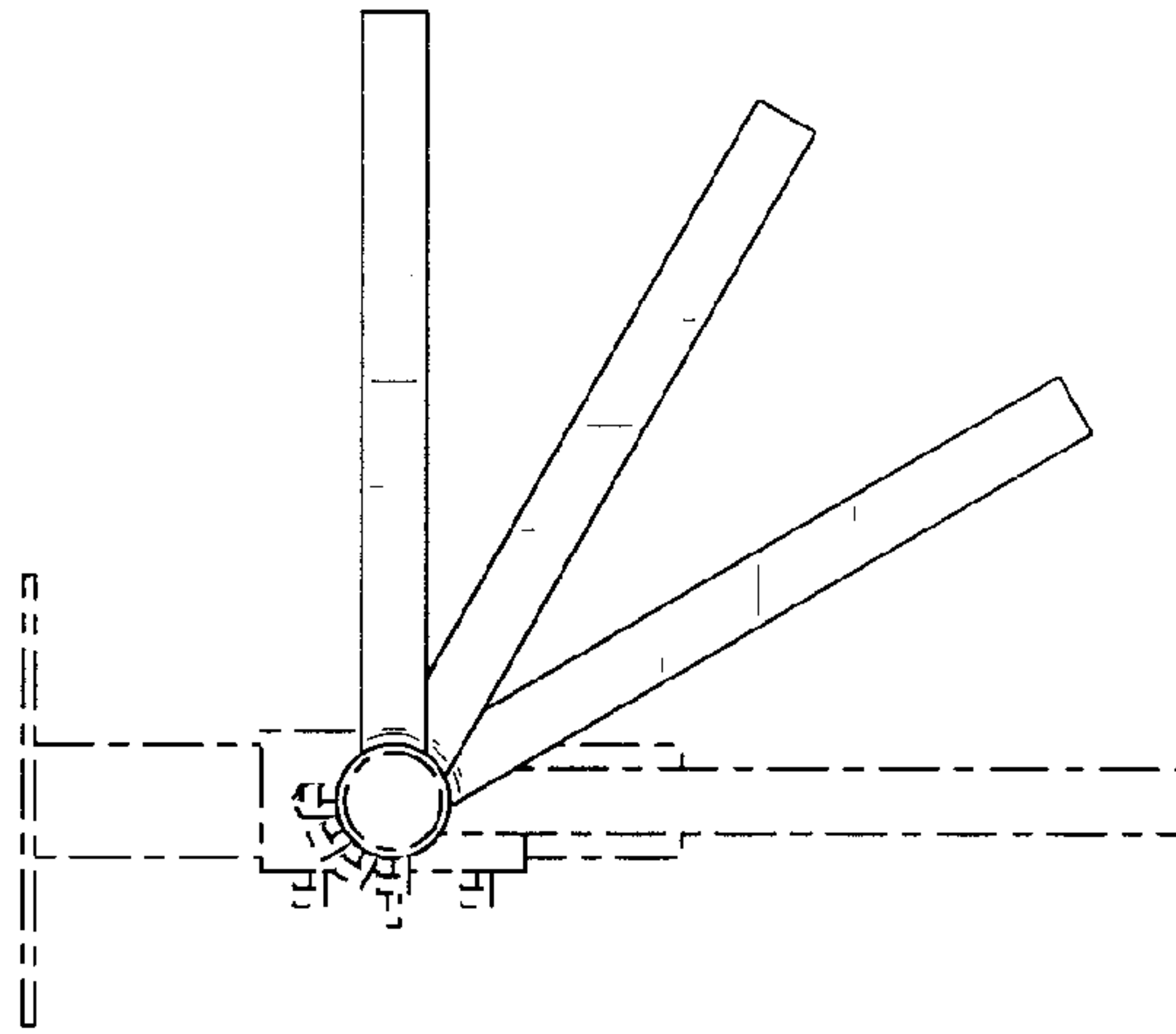


FIG. 13

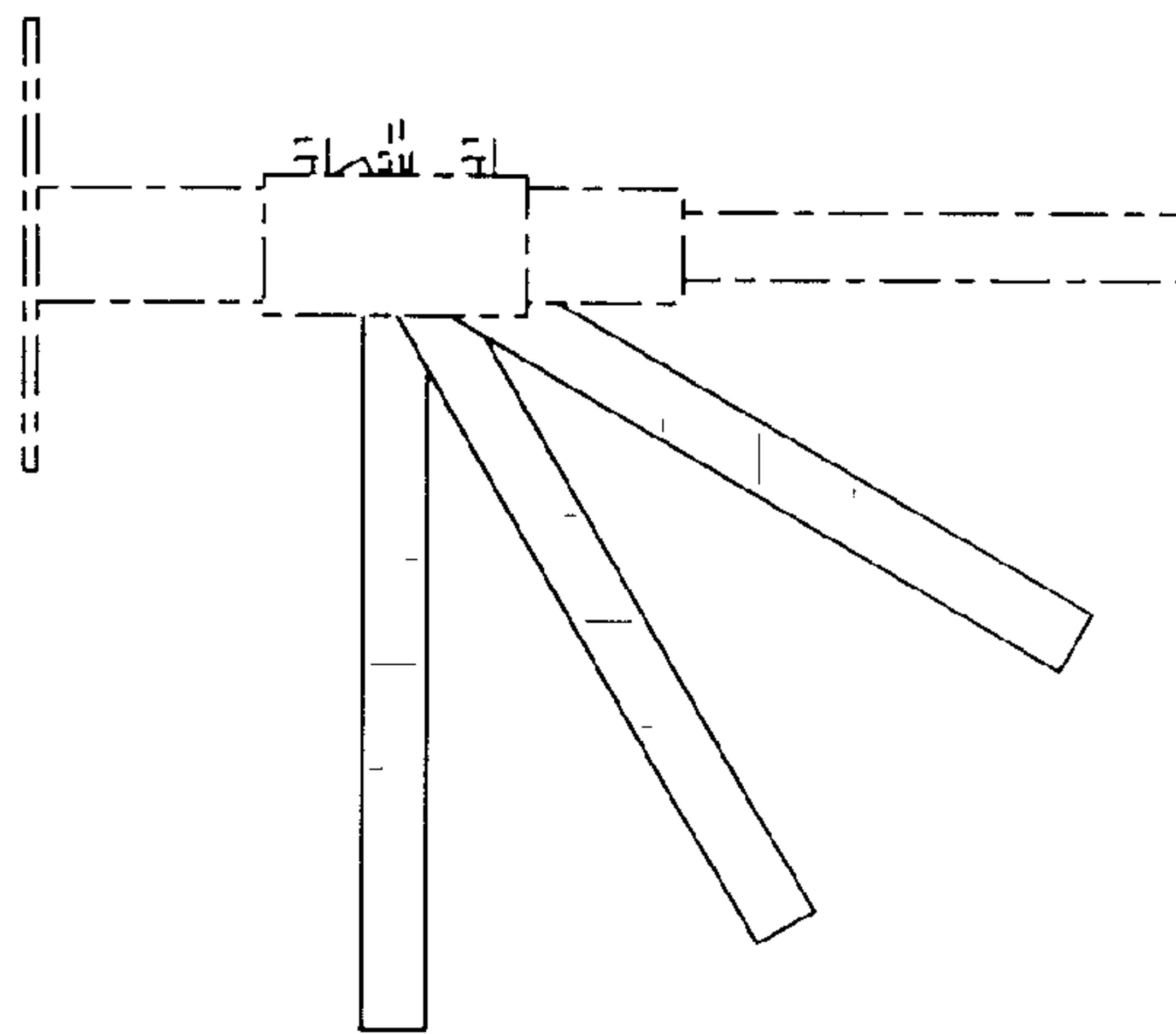


FIG. 14