



US00D577324S

(12) **United States Design Patent**  
**McCray**

(10) **Patent No.:** **US D577,324 S**  
(45) **Date of Patent:** **\*\* Sep. 23, 2008**

(54) **WINDSHIELD WIPER COVER**

2008/0073246 A1\* 3/2008 Herring et al. .... 206/776

(76) Inventor: **Ronald C. McCray**, 840 E. Havelwood Ave., Rahway, NJ (US) 07065

\* cited by examiner

(\*\*) Term: **14 Years**

*Primary Examiner*—Robert M. Spear  
*Assistant Examiner*—Katrina A Kile  
(74) *Attorney, Agent, or Firm*—William L. Muckelroy; Art Lessler; Gary Lipson

(21) Appl. No.: **29/289,445**

(22) Filed: **Jul. 20, 2007**

(57) **CLAIM**

(51) **LOC (8) Cl.** ..... **12-06**

The ornamental design for a windshield wiper cover, as shown and described.

(52) **U.S. Cl.** ..... **D12/220**

(58) **Field of Classification Search** ..... D12/219–220;  
15/246, 247, 250.001, 250.41, 250.4, 250.361,  
15/250.19, 250.48, 250.03, 250.31–250.33,  
15/250.351, 250.38, 250.201, 250.451–458,  
15/250.04, 250.07, 250.44

**DESCRIPTION**

See application file for complete search history.

FIG. 1 is a right side perspective view of a windshield wiper cover.

FIG. 2 is a left side view thereof;

FIG. 3 is a rear view thereof;

FIG. 4 is a front view thereof;

FIG. 5 is a bottom view thereof; and,

FIG. 6 is a top view thereof.

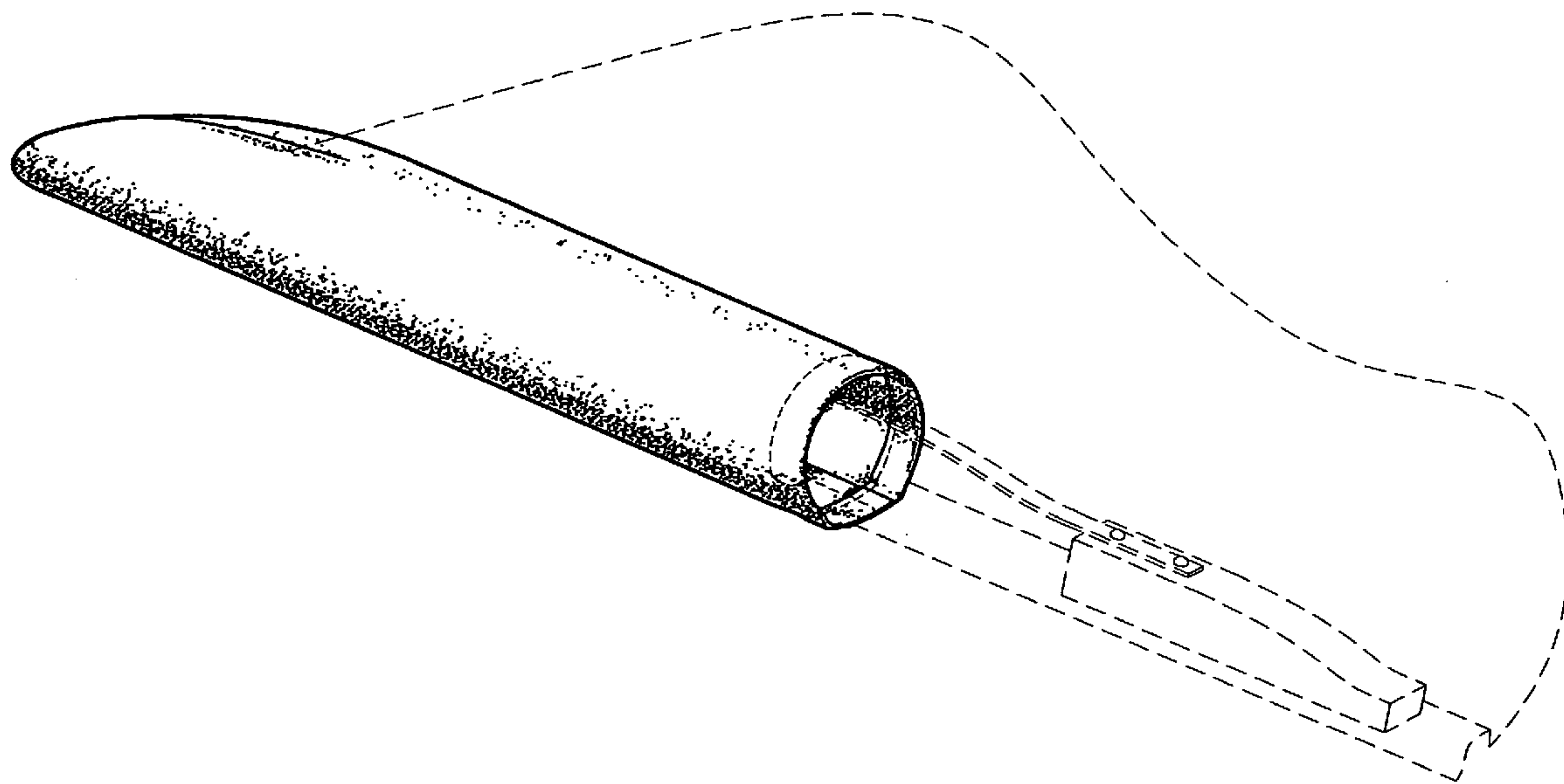
In the drawings, the broken lines depicting a windshield wiper and a portion of the windshield form no part of the claimed design.

(56) **References Cited**

**U.S. PATENT DOCUMENTS**

4,342,126	A	8/1982	Neefeldt	.....	15/250.42
4,770,462	A	9/1988	Kuraoka	.....	296/192
5,325,561	A	7/1994	Kotlar	.....	15/250.06
5,412,177	A	5/1995	Clark	.....	219/203
6,070,287	A *	6/2000	Kornegay	.....	15/250.001
6,798,163	B2	9/2004	Weiler	.....	318/445
6,973,697	B2	12/2005	Shen	.....	15/250.201

**1 Claim, 2 Drawing Sheets**



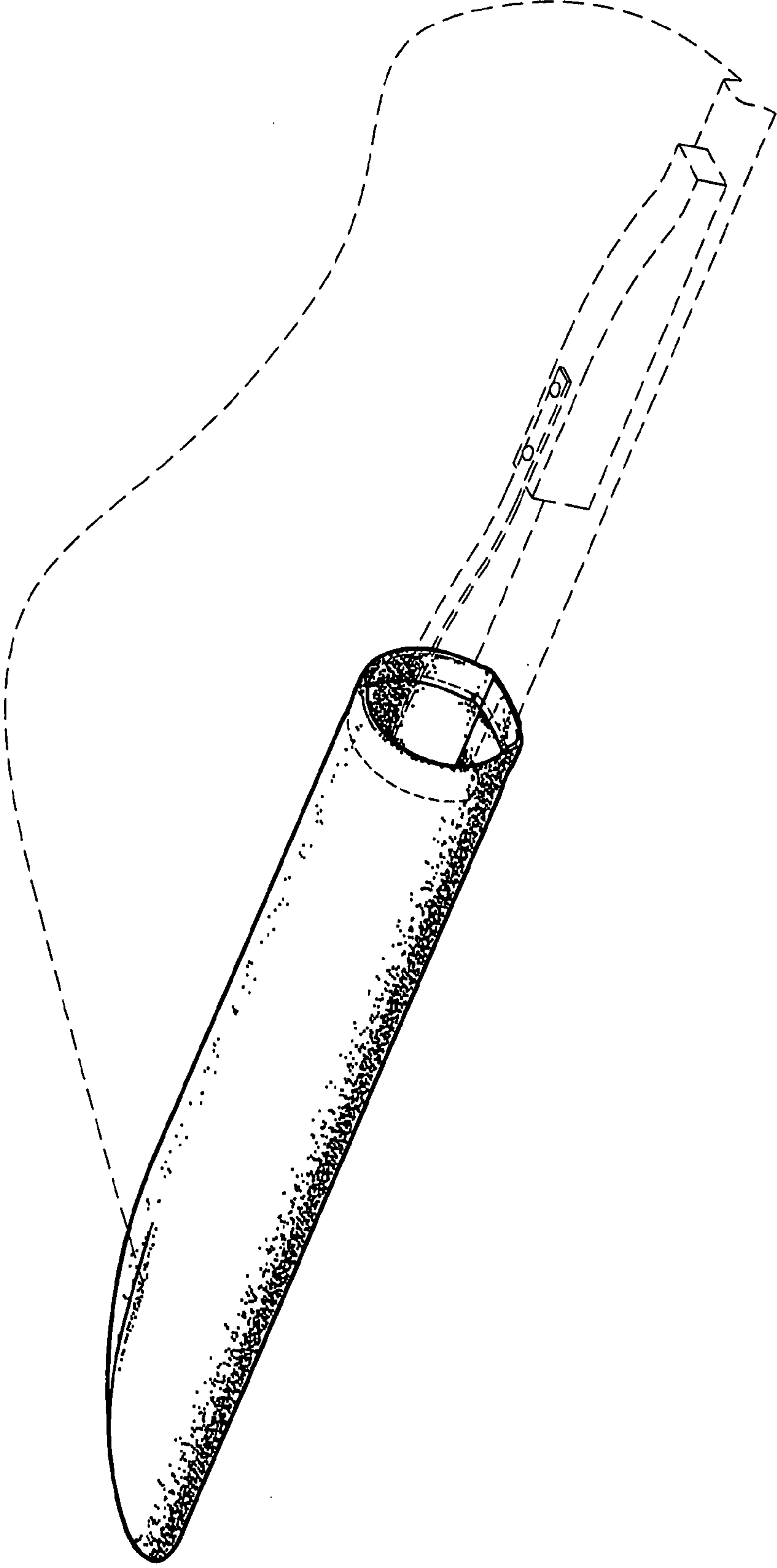


FIG. 1

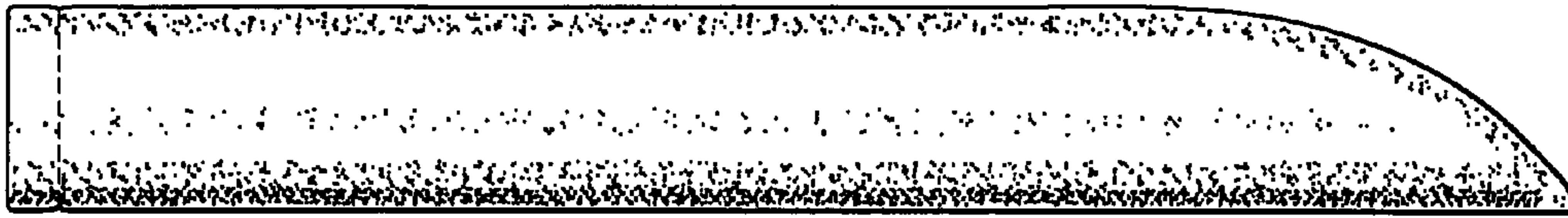


FIG. 2

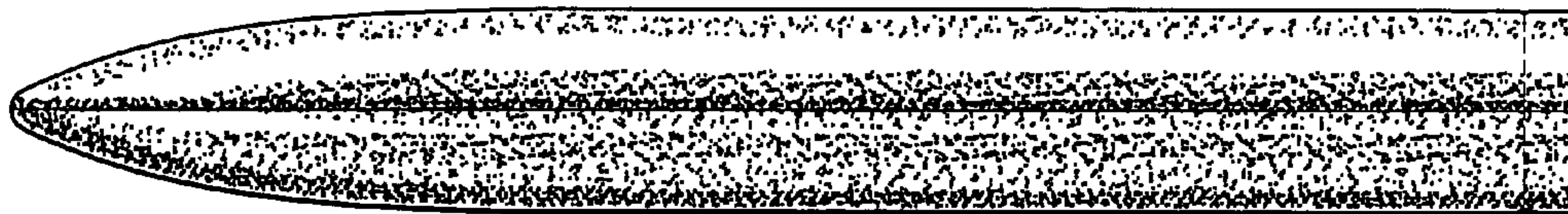


FIG. 3

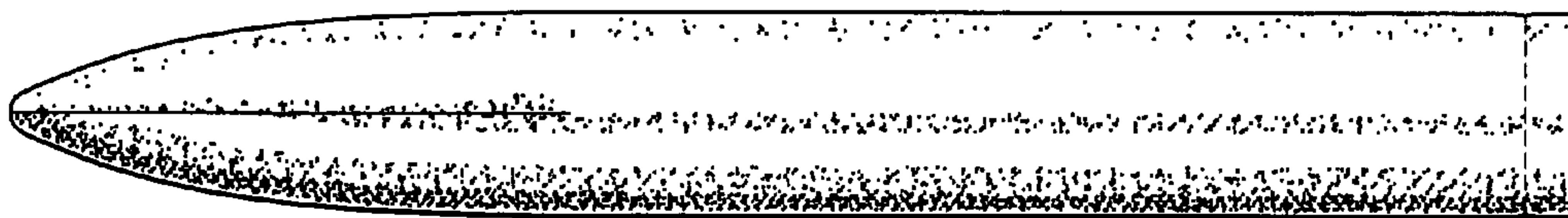


FIG. 4

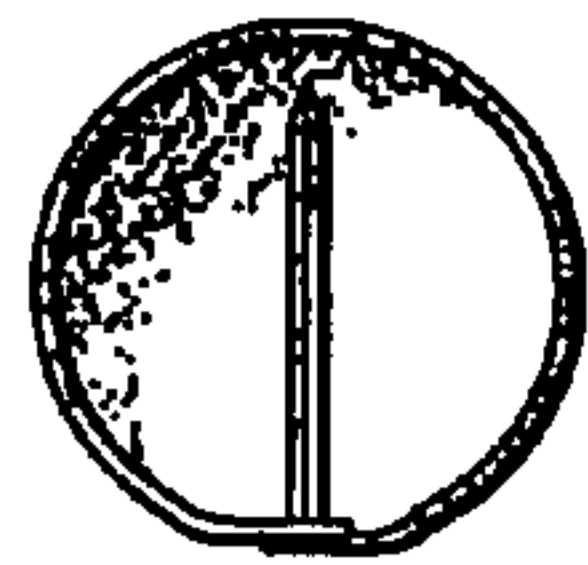


FIG. 5

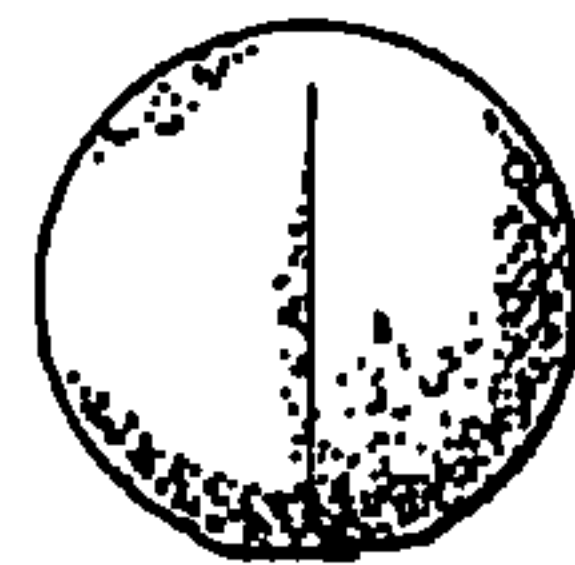


FIG. 6