



US00D577323S

(12) **United States Design Patent**
Chung

(10) **Patent No.:** **US D577,323 S**

(45) **Date of Patent:** **** Sep. 23, 2008**

(54) **WHEEL**

(76) **Inventor:** **Suny Chung**, 3283 Red Pine Rd., Yorba Linda, CA (US) 92886

(**) **Term:** **14 Years**

(21) **Appl. No.:** **29/317,102**

(22) **Filed:** **Apr. 23, 2008**

(51) **LOC (8) Cl.** **12-16**

(52) **U.S. Cl.** **D12/211**

(58) **Field of Classification Search** D12/204–213;
301/37.101, 64.101, 65, 64.201

See application file for complete search history.

(56) **References Cited**

U.S. PATENT DOCUMENTS

D486,110 S	*	2/2004	Elmitt	D12/211
D498,195 S	*	11/2004	Guevara	D12/211
D501,440 S	*	2/2005	Pfeiffer	D12/211
D513,726 S	*	1/2006	Kamimura	D12/211
D524,219 S	*	7/2006	Scheu	D12/211
D535,934 S	*	1/2007	Scheu	D12/211
D542,210 S	*	5/2007	Plumer	D12/211
D543,493 S	*	5/2007	Kim	D12/209

* cited by examiner

Primary Examiner—Stacia Cadmus

(74) *Attorney, Agent, or Firm*—Garcia-Zamor IP Law; Ruy M. Garcia-Zamor

(57) **CLAIM**

The ornamental design for a wheel, as shown and described.

DESCRIPTION

FIG. 1 is a perspective view of a wheel according to a first preferred embodiment of my new design;

FIG. 2 is a front elevational view of the wheel of FIG. 1;

FIG. 3 is a left side elevational view of the wheel of FIG. 1, the right side elevational view of the wheel of FIG. 1 is a mirror image of FIG. 3;

FIG. 4 is a top plan view of the wheel of FIG. 1;

FIG. 5 is a bottom plan view of the wheel of FIG. 1;

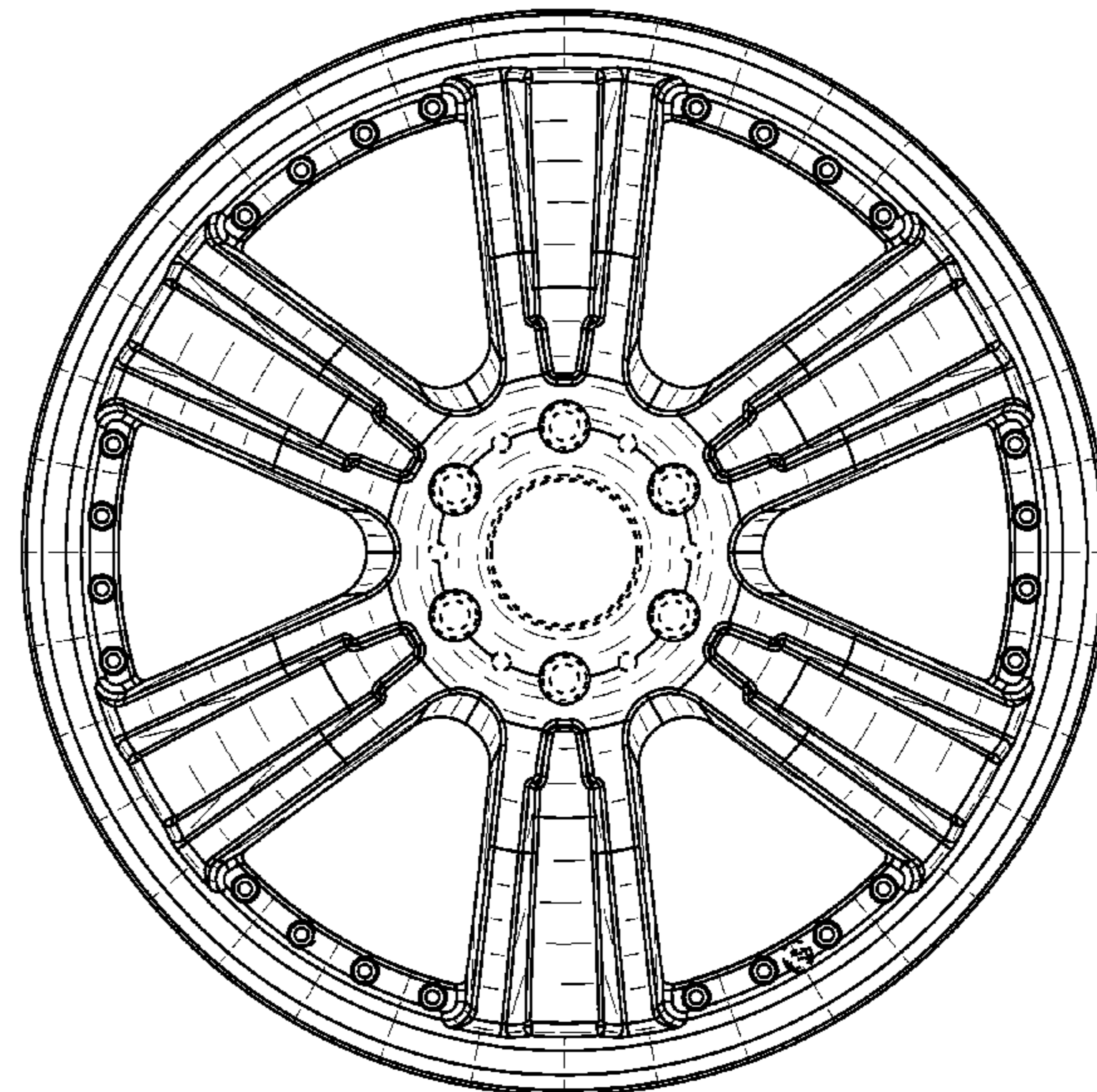
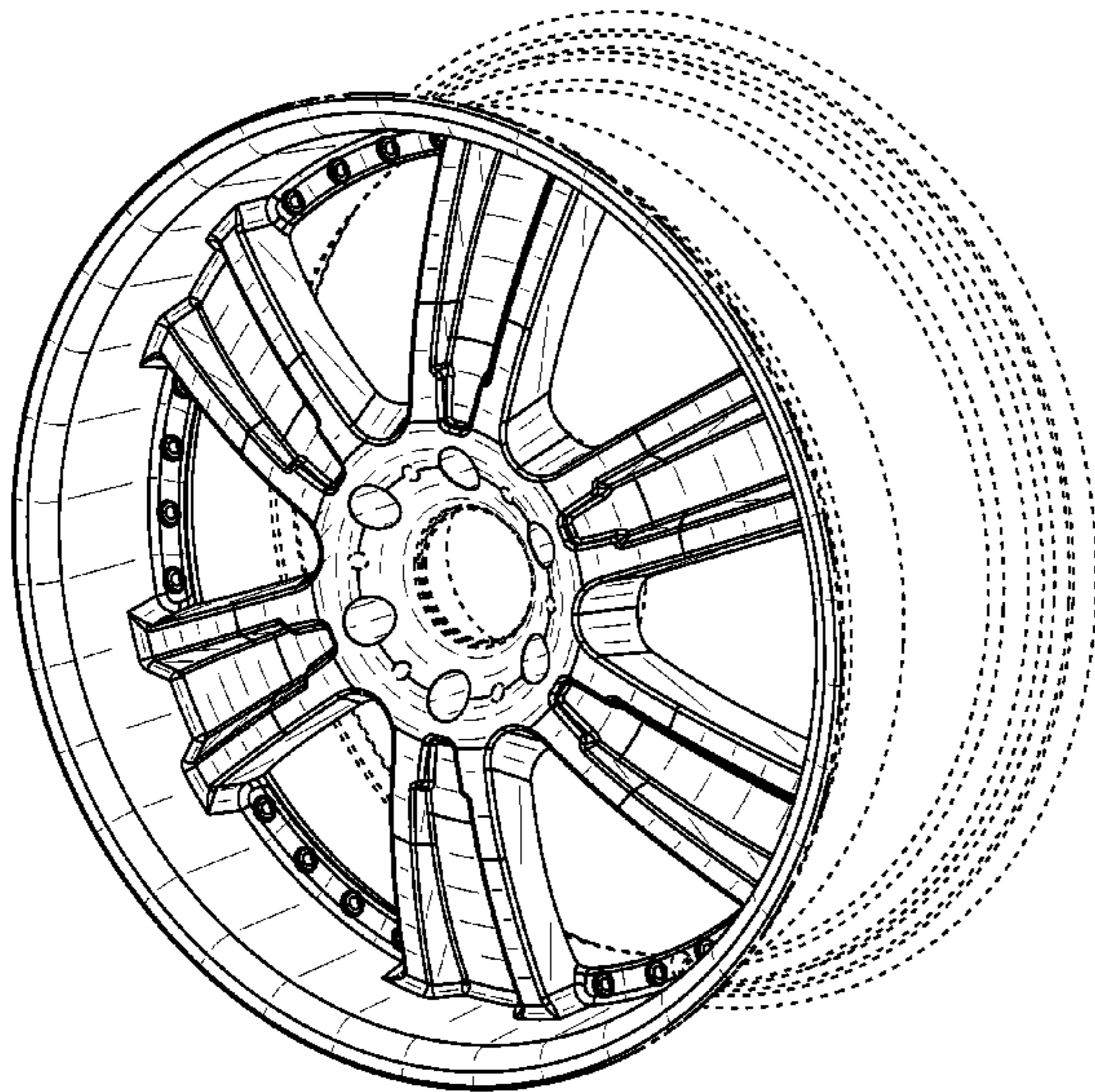
FIG. 6 is a rear elevational view of the wheel of FIG. 1;

FIG. 7 is a perspective view of a wheel according to a second preferred embodiment of my new design; and,

FIG. 8 is a front elevational view of the wheel of FIG. 7; portions of the wheel not shown in FIGS. 7 and 8 are disclaimed as forming no part of the claimed design.

The broken lines in FIGS. 1–8 represent environment and are for illustrative purposes only and do not constitute part of the claimed design.

1 Claim, 8 Drawing Sheets



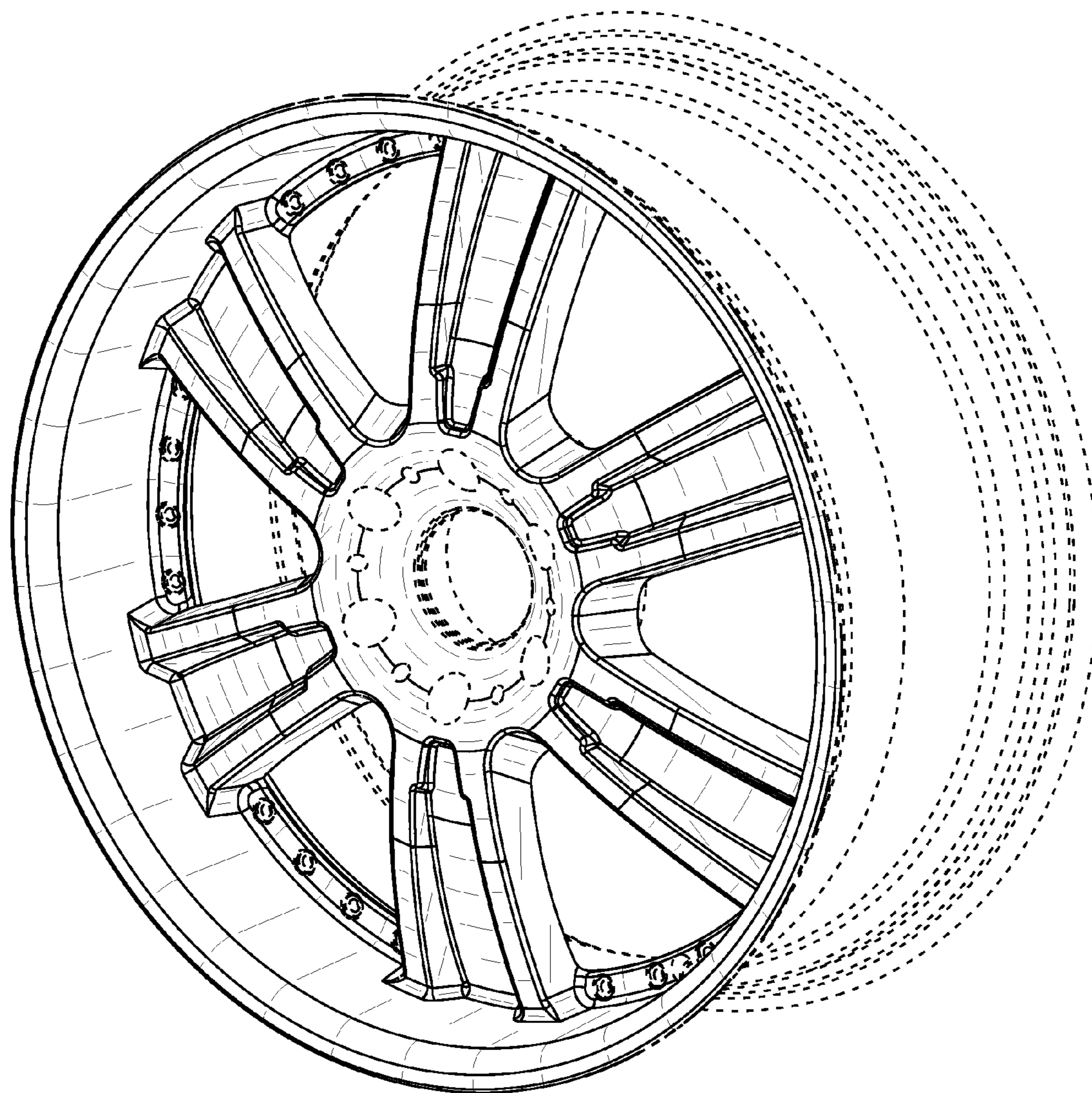


FIG. 1

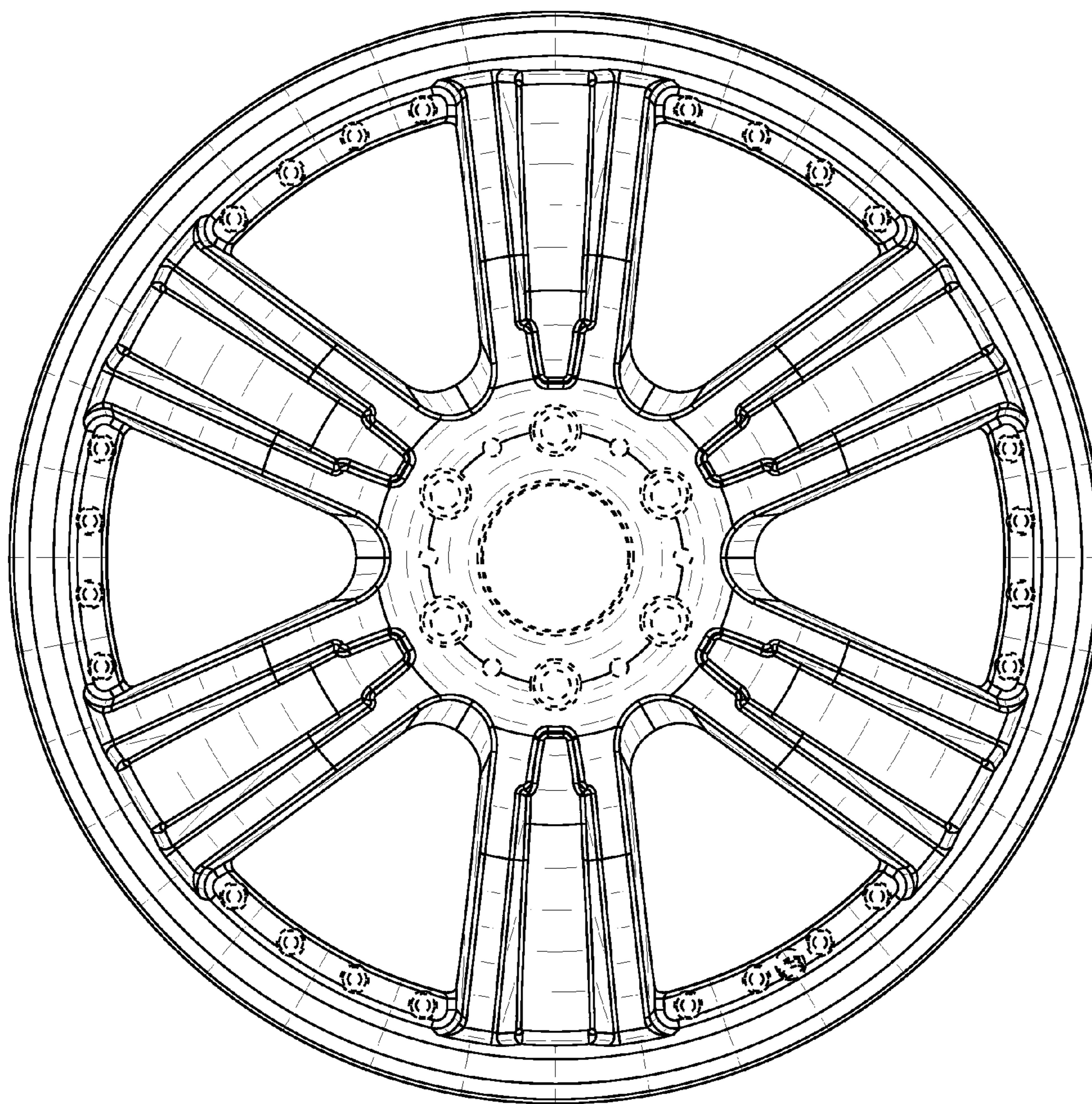


FIG. 2

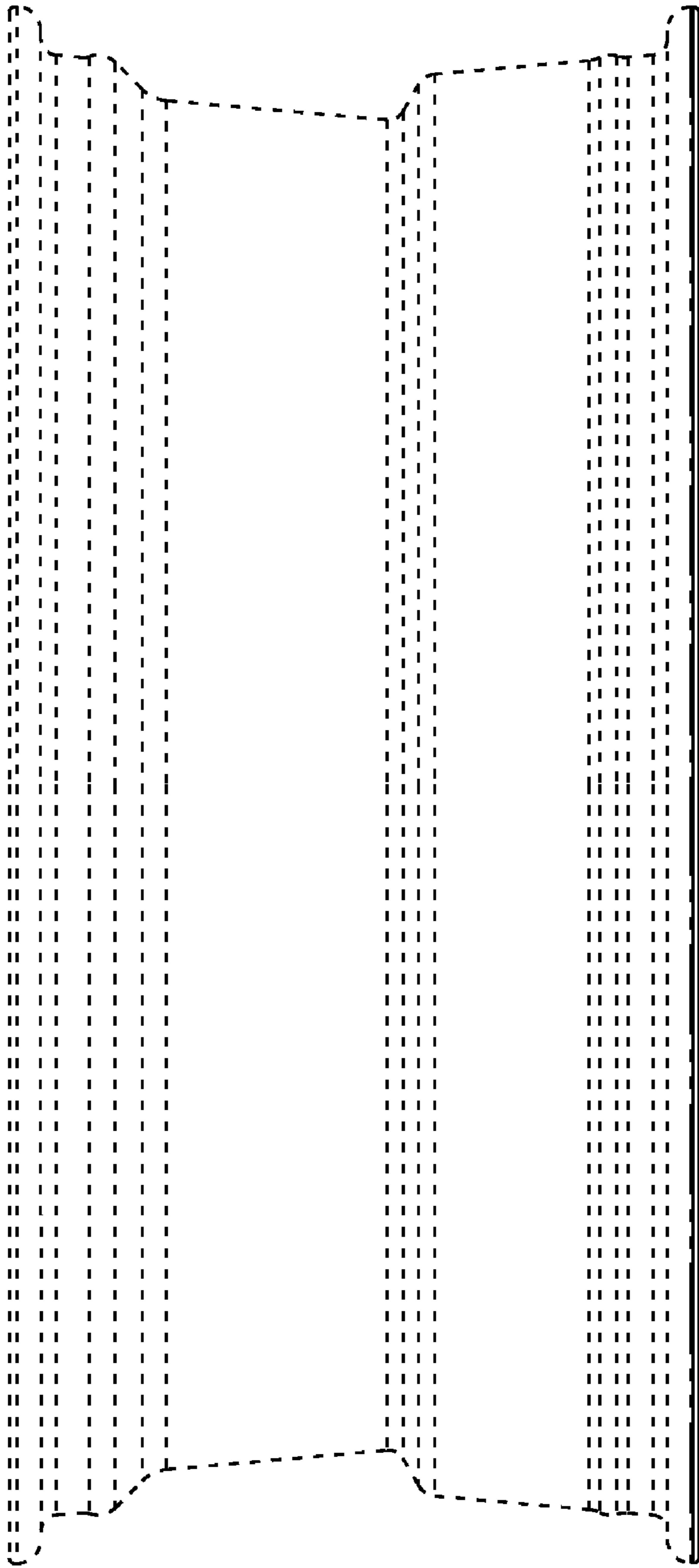


FIG. 3

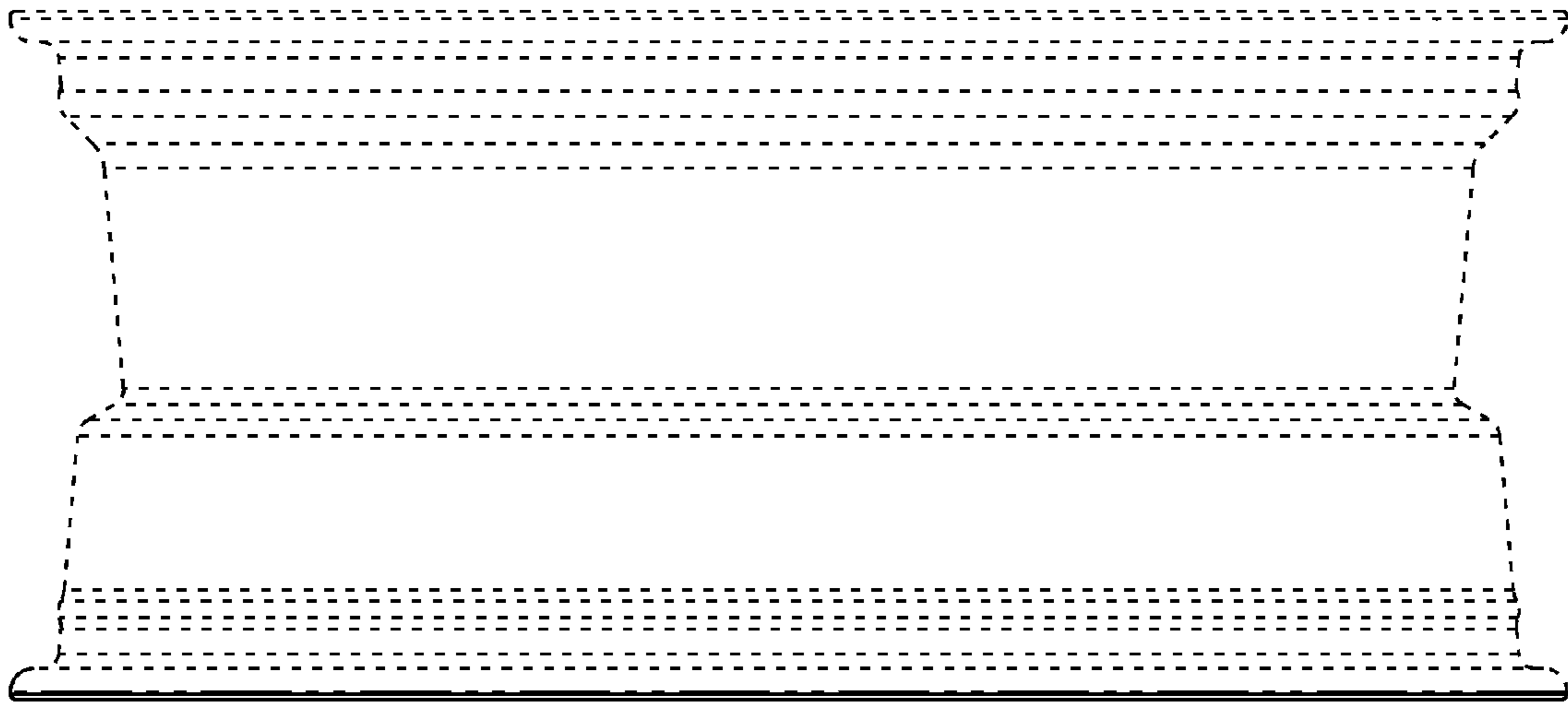


FIG. 4

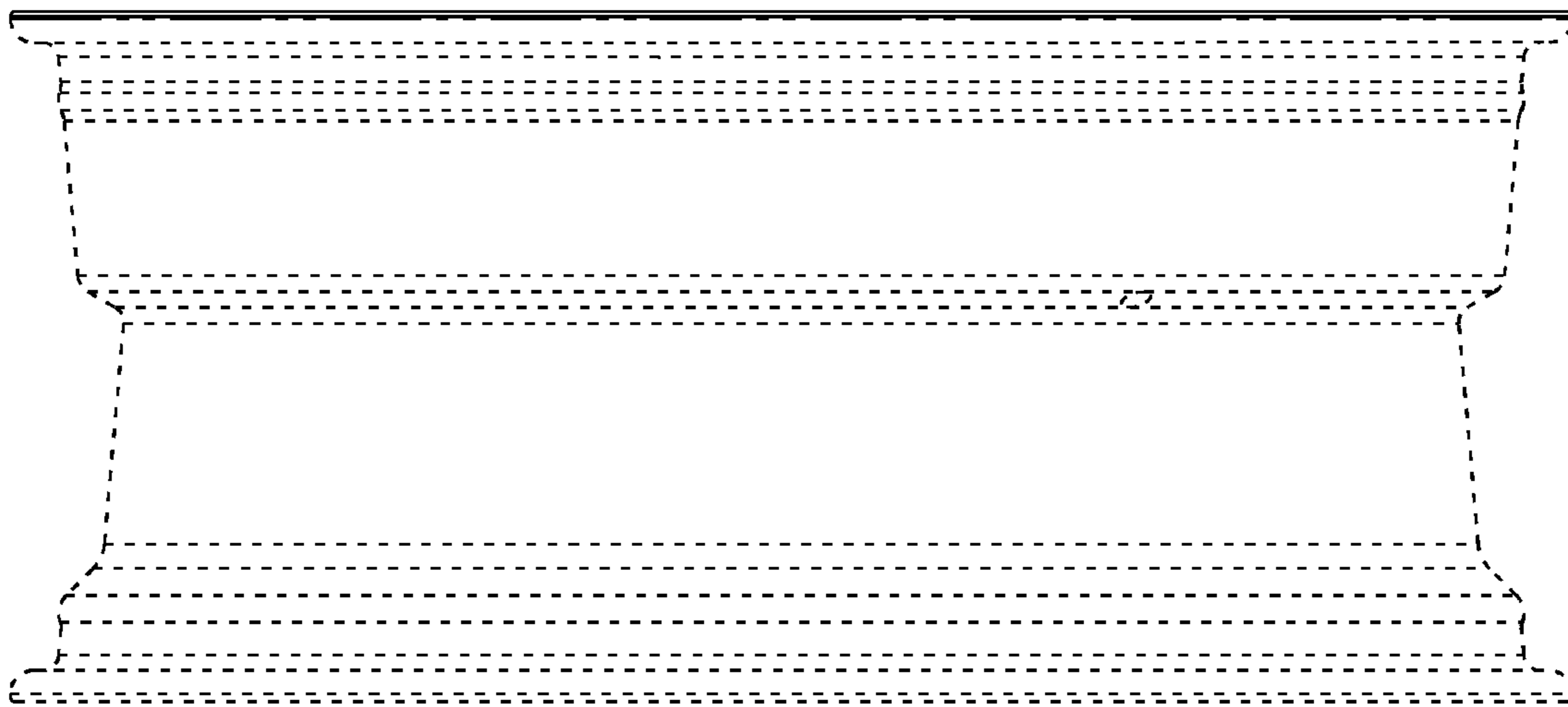


FIG. 5

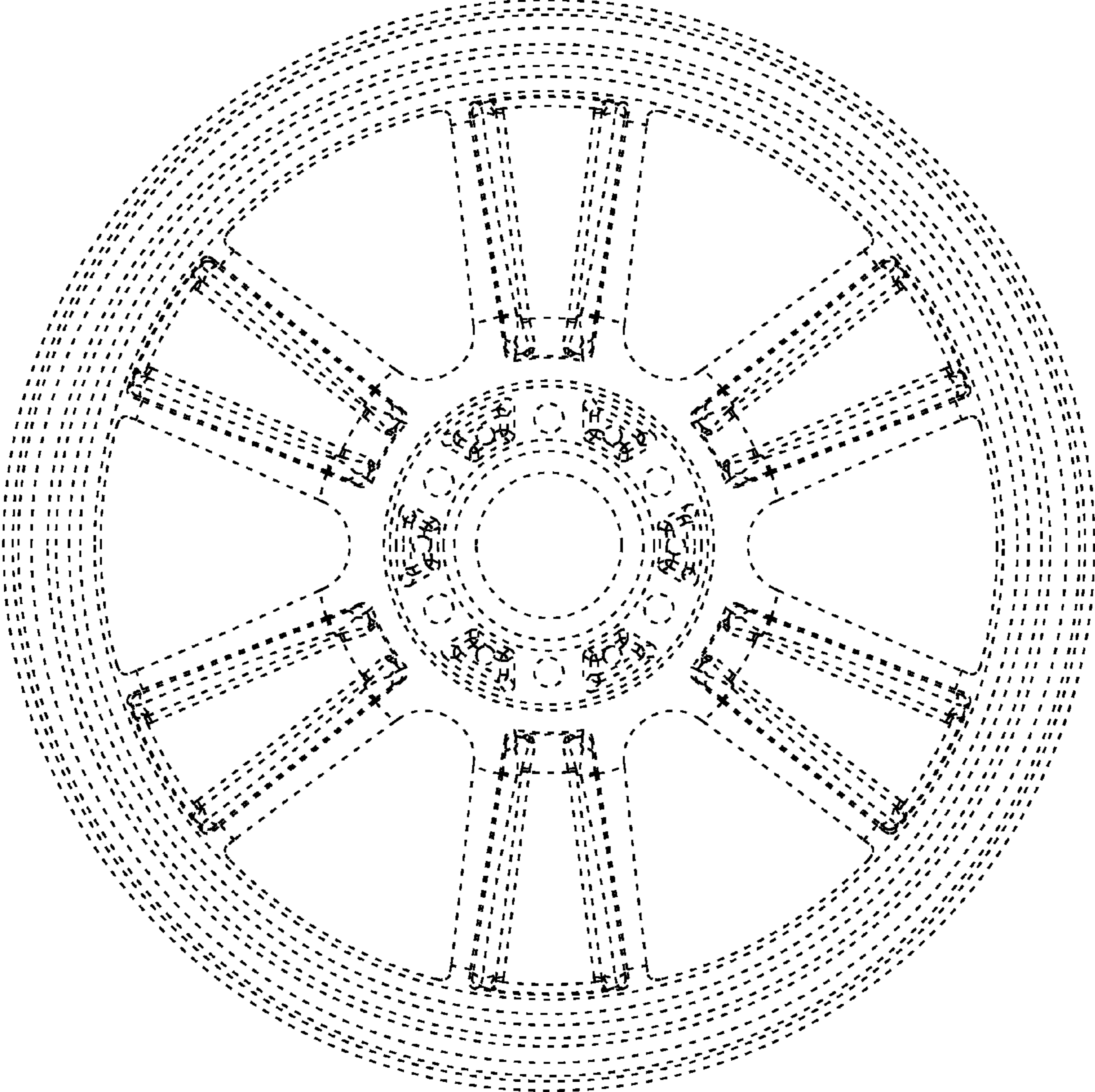


FIG. 6

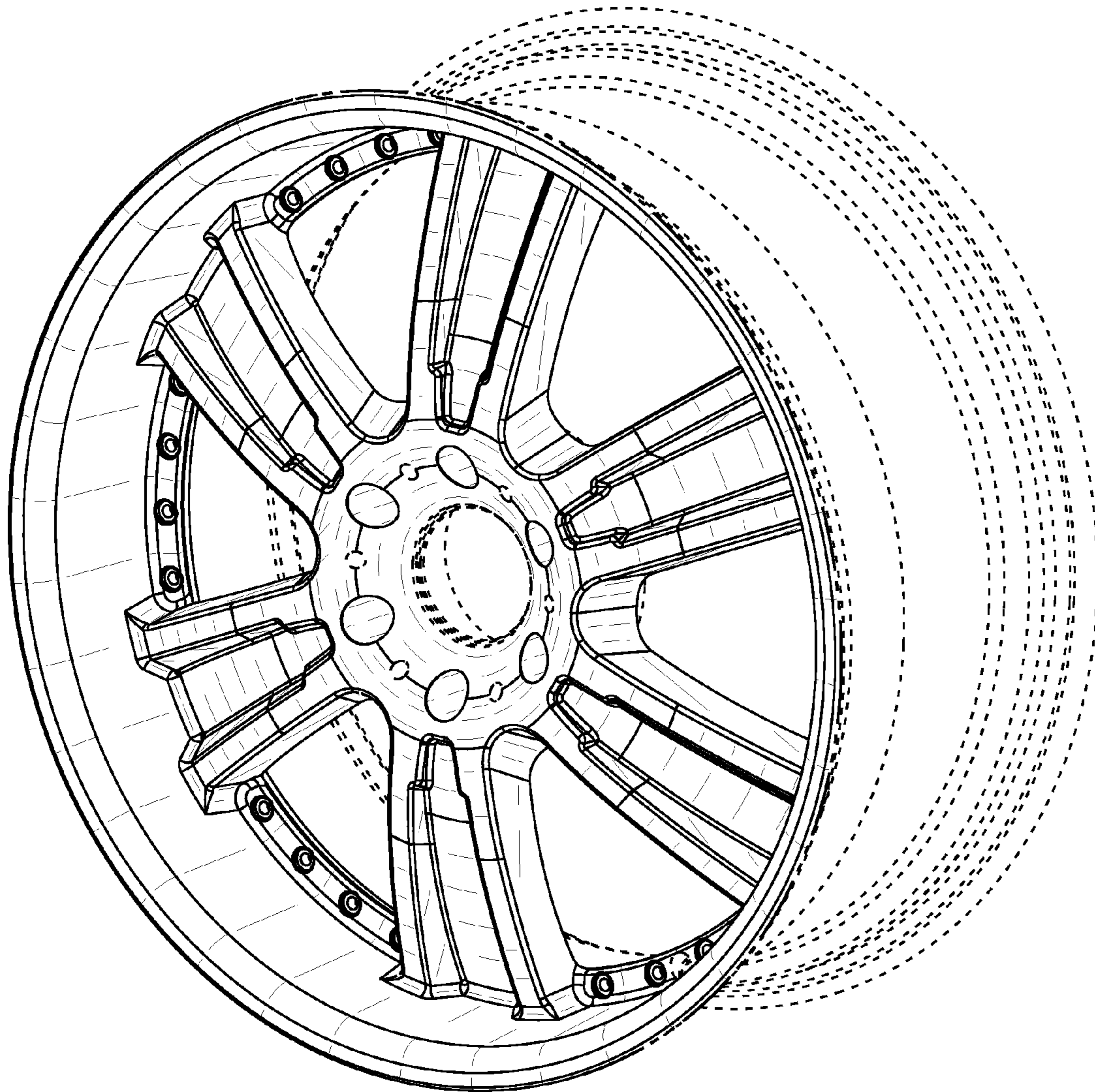


FIG. 7

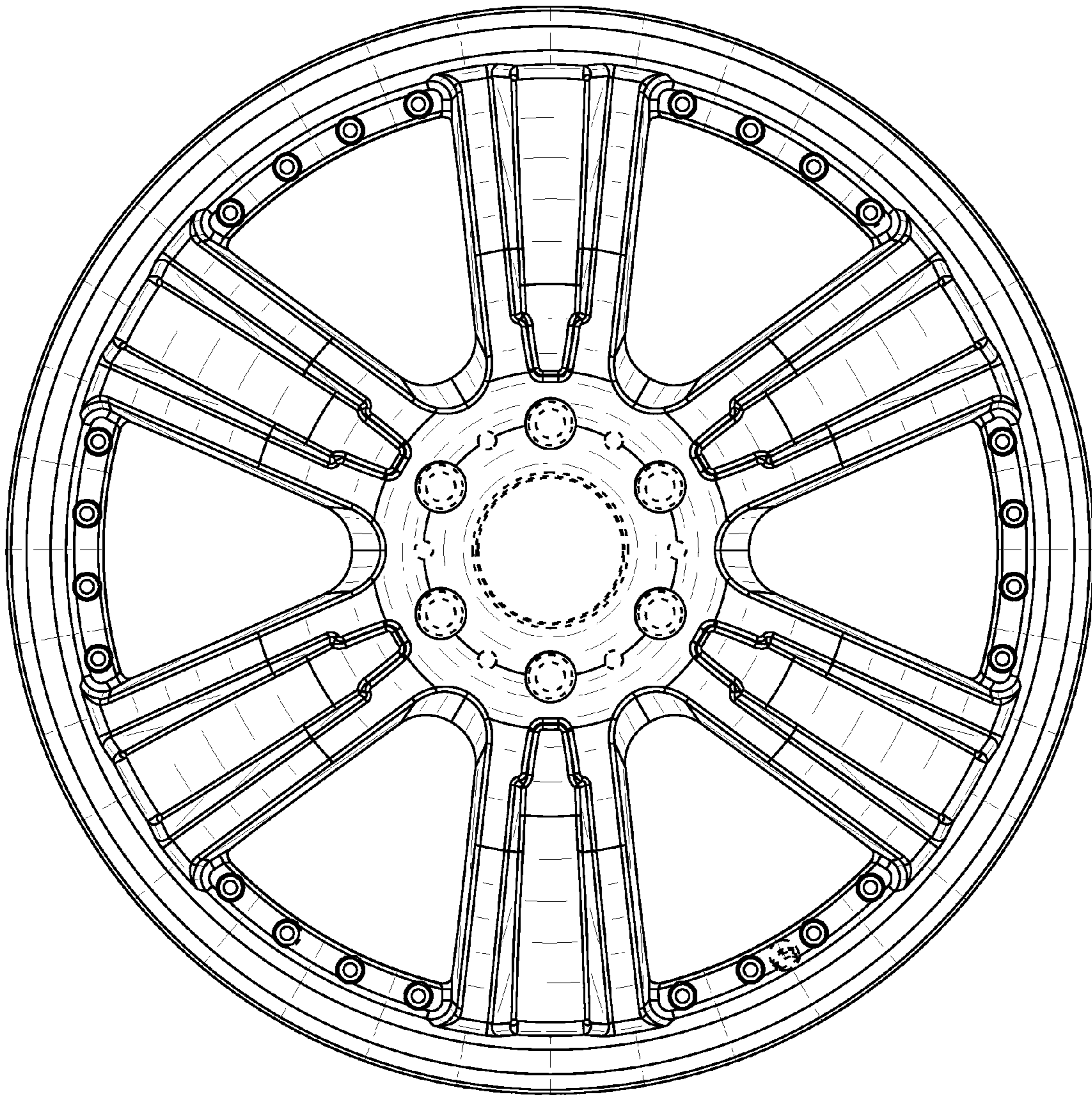


FIG. 8