



US00D577322S

(12) **United States Design Patent**
Scheu

(10) **Patent No.:** **US D577,322 S**

(45) **Date of Patent:** **** Sep. 23, 2008**

(54) **FRONT FACE OF A VEHICLE WHEEL**

(75) Inventor: **Armin Scheu**, Stuttgart (DE)

(73) Assignee: **Daimler AG**, Stuttgart (DE)

(**) Term: **14 Years**

(21) Appl. No.: **29/287,417**

(22) Filed: **Aug. 3, 2007**

(30) **Foreign Application Priority Data**

Feb. 6, 2007 (EM) 000664495

(51) **LOC (8) Cl.** **12-16**

(52) **U.S. Cl.** **D12/209**

(58) **Field of Classification Search** D12/204–213;
301/37.101, 64.101, 65, 64.201

See application file for complete search history.

(56) **References Cited**

U.S. PATENT DOCUMENTS

D325,189 S *	4/1992	Kapitza	D12/209
D386,738 S *	11/1997	Doyle	D12/209
D392,239 S *	3/1998	Cullen	D12/211
D402,612 S *	12/1998	Nishida	D12/209
D408,003 S *	4/1999	Sacco et al.	D12/209
D415,991 S *	11/1999	Wang	D12/211
D440,199 S *	4/2001	Donikoglu	D12/209
D441,338 S *	5/2001	Hussaini et al.	D12/209
D442,536 S *	5/2001	Chung	D12/211
D445,751 S *	7/2001	Pfeiffer et al.	D12/209

D450,288 S *	11/2001	Lee	D12/209
D451,061 S *	11/2001	Ishihara	D12/209
D463,347 S *	9/2002	Takezawa	D12/209
D475,006 S *	5/2003	Yoshida	D12/209
D488,761 S *	4/2004	Kuninari et al.	D12/209
D502,435 S *	3/2005	Kuninari et al.	D12/209
D508,007 S *	8/2005	Koch	D12/211
D514,494 S *	2/2006	Scheu	D12/209
D521,436 S *	5/2006	Meier	D12/209
D535,935 S *	1/2007	Scheu	D12/211
D558,116 S *	12/2007	Martin	D12/209

* cited by examiner

Primary Examiner—Stacia Cadmus

(74) *Attorney, Agent, or Firm*—Crowell & Moring LLP

(57) **CLAIM**

The ornamental design for a front face of a vehicle wheel, as shown and described.

DESCRIPTION

FIG. 1 is a front view of a first embodiment of a front face of a vehicle wheel according to my novel design; and

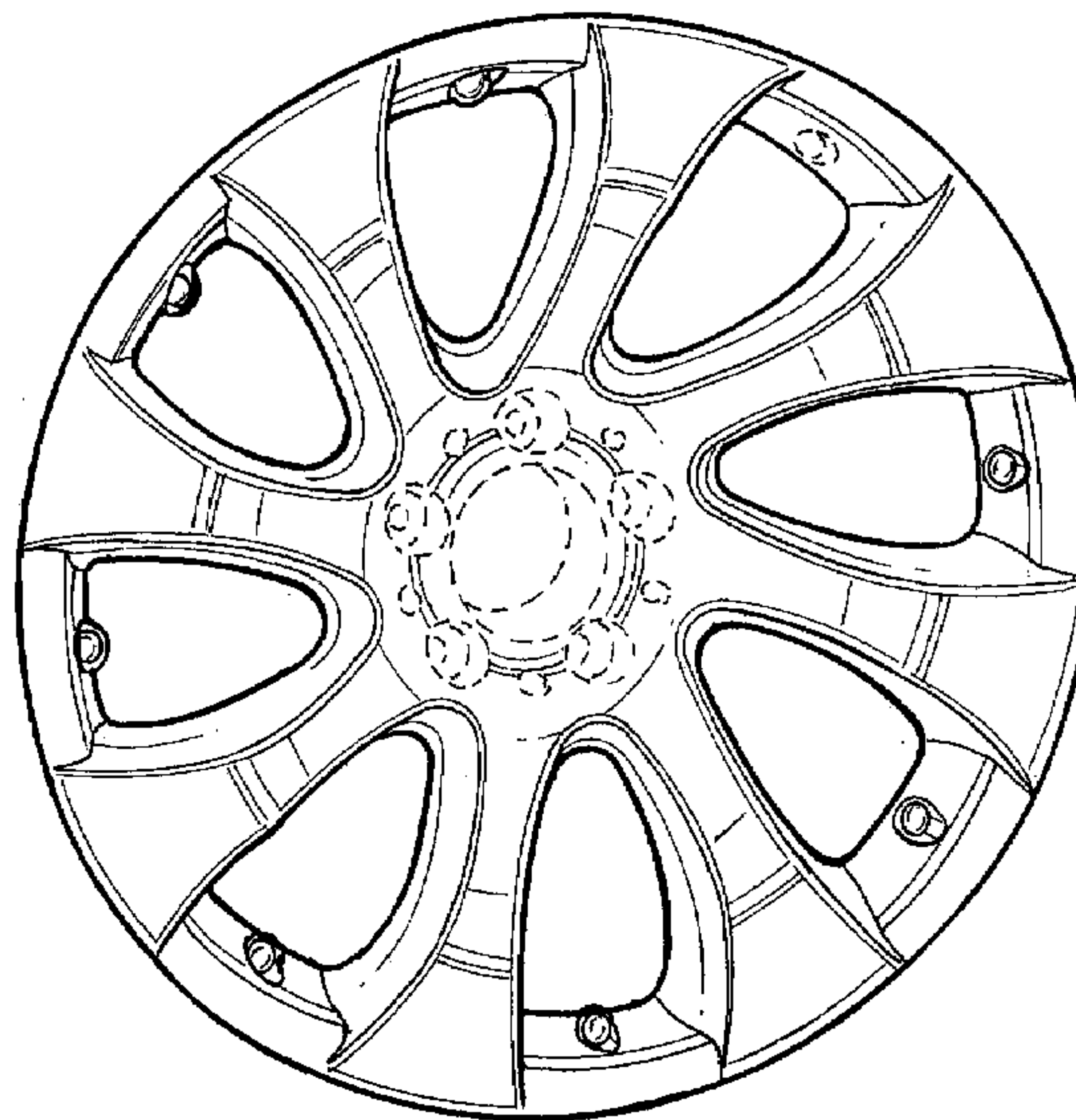
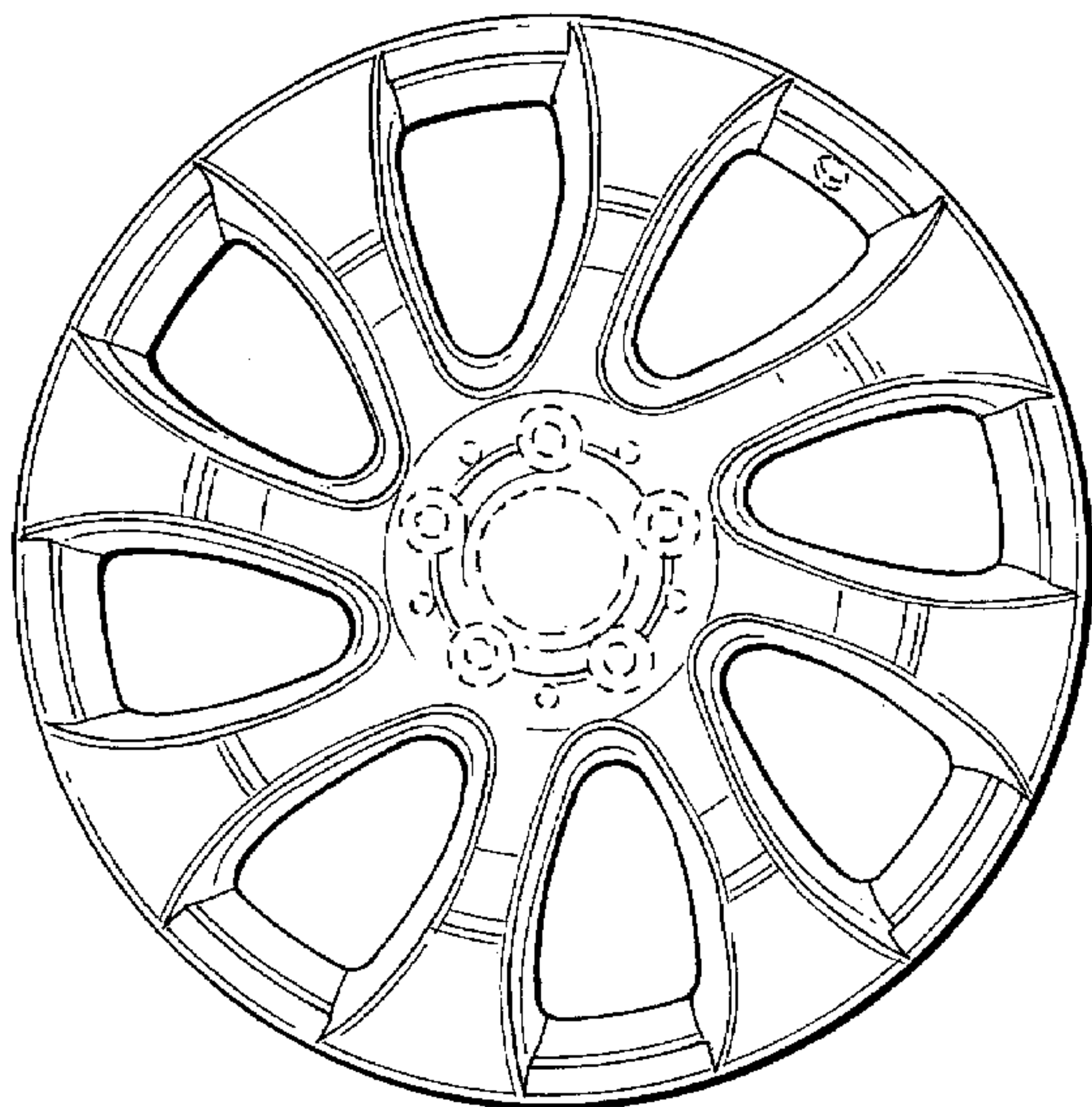
FIG. 2 is a perspective view thereof.

FIG. 3 is a front view of a second embodiment of the front face of a vehicle wheel according to my novel design; and,

FIG. 4 is a perspective view thereof.

The broken lines are for illustrative purposes only and form no part of the claimed design.

1 Claim, 2 Drawing Sheets



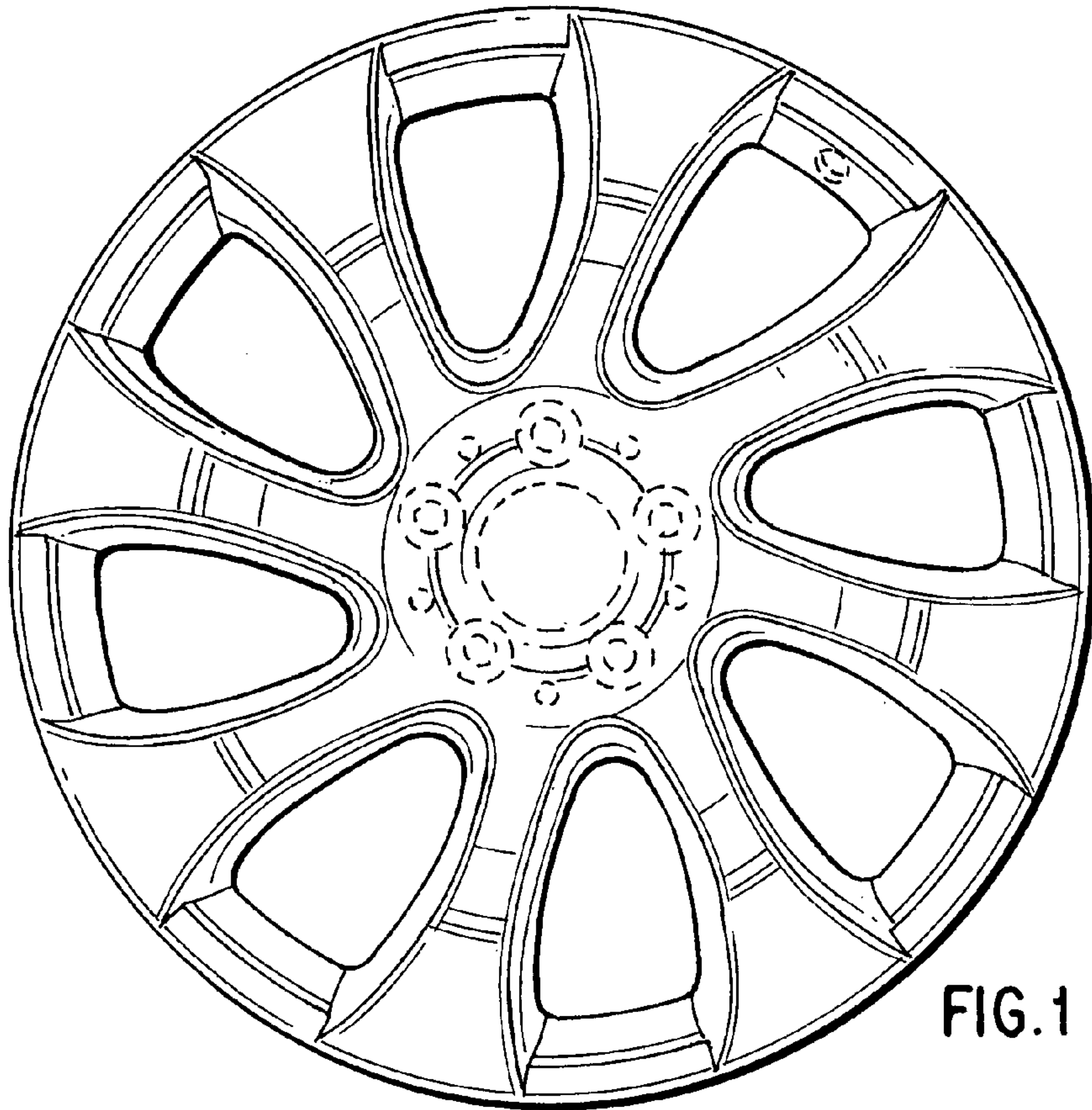


FIG. 1

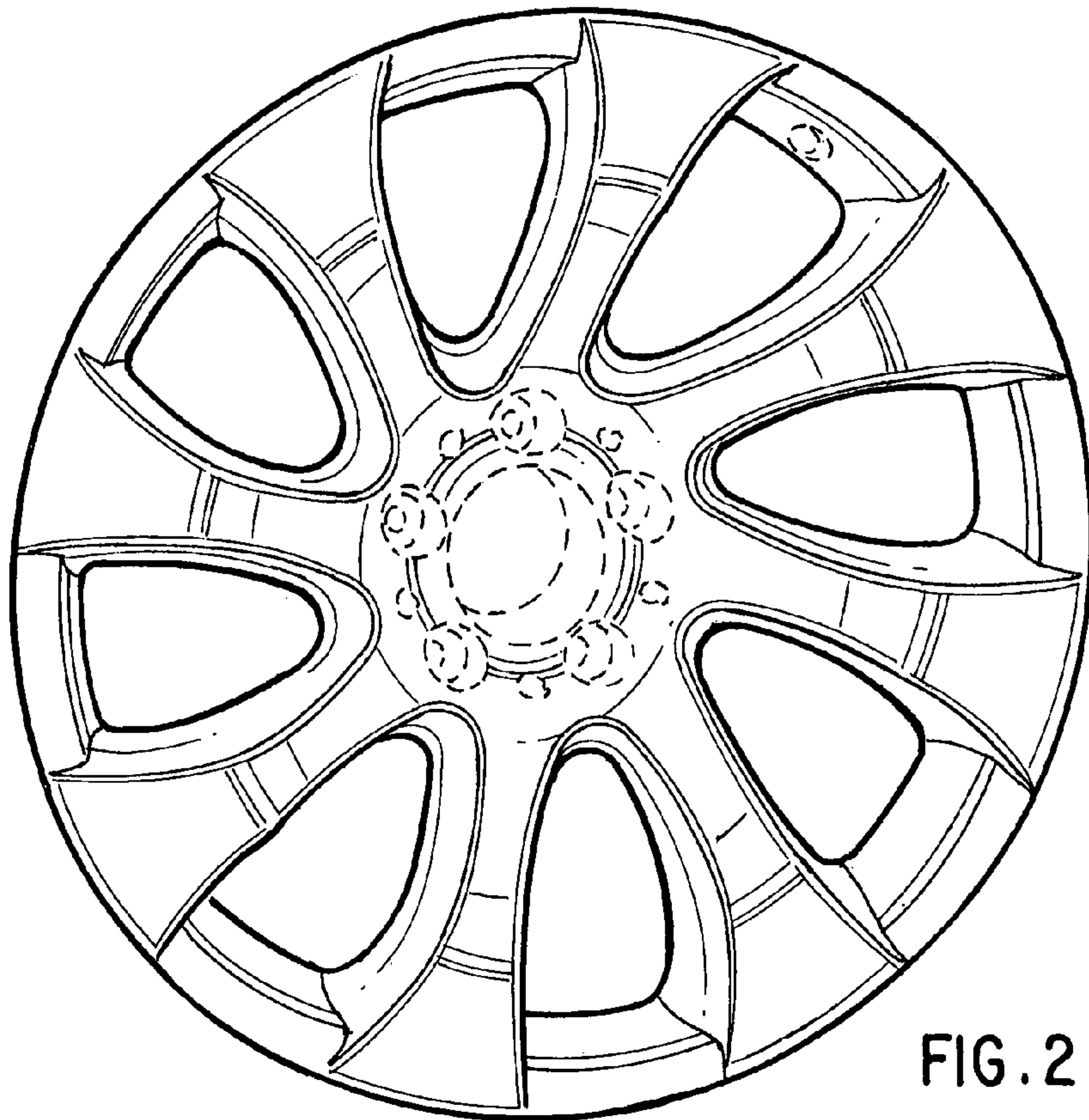


FIG. 2

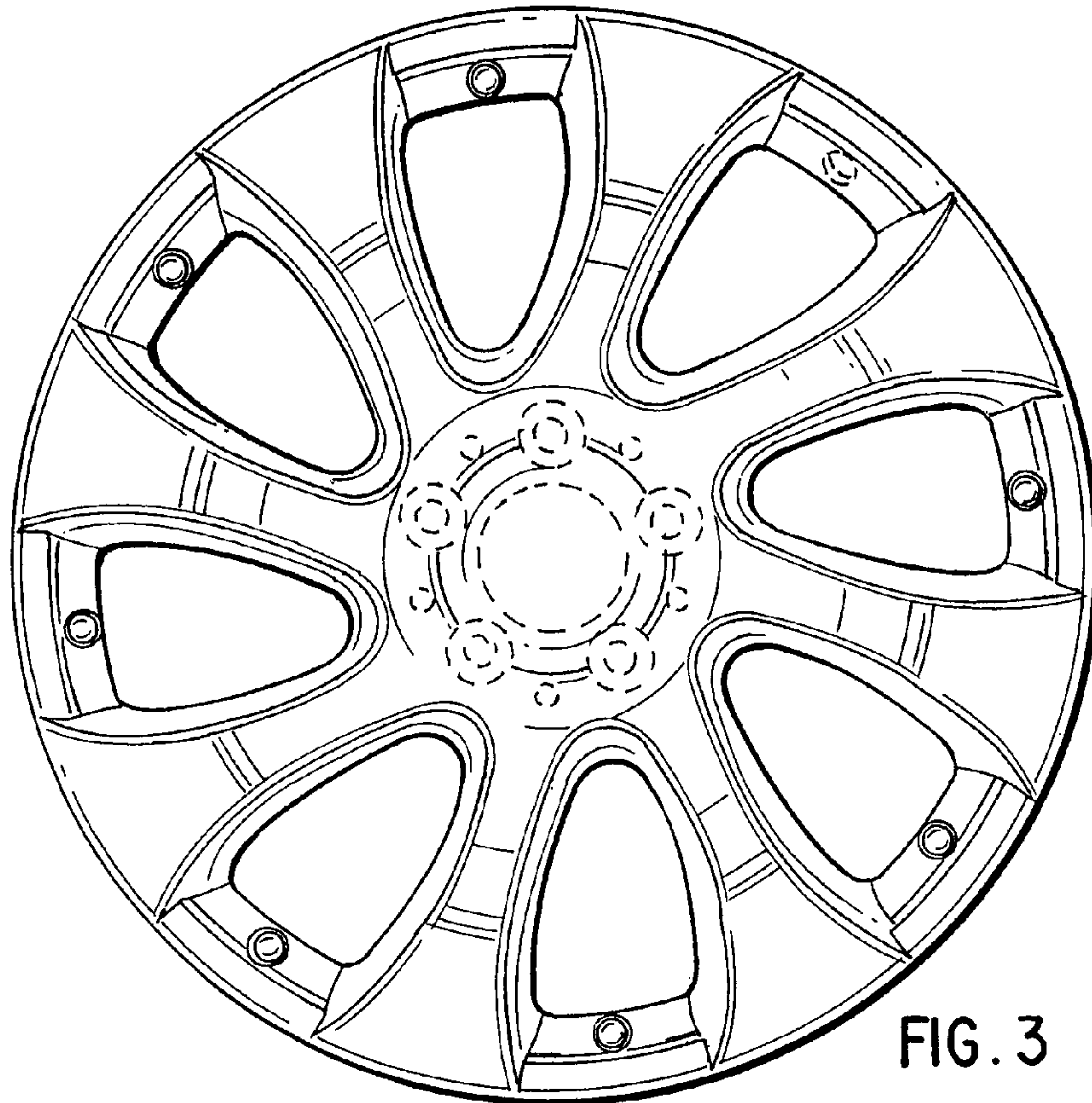


FIG. 3

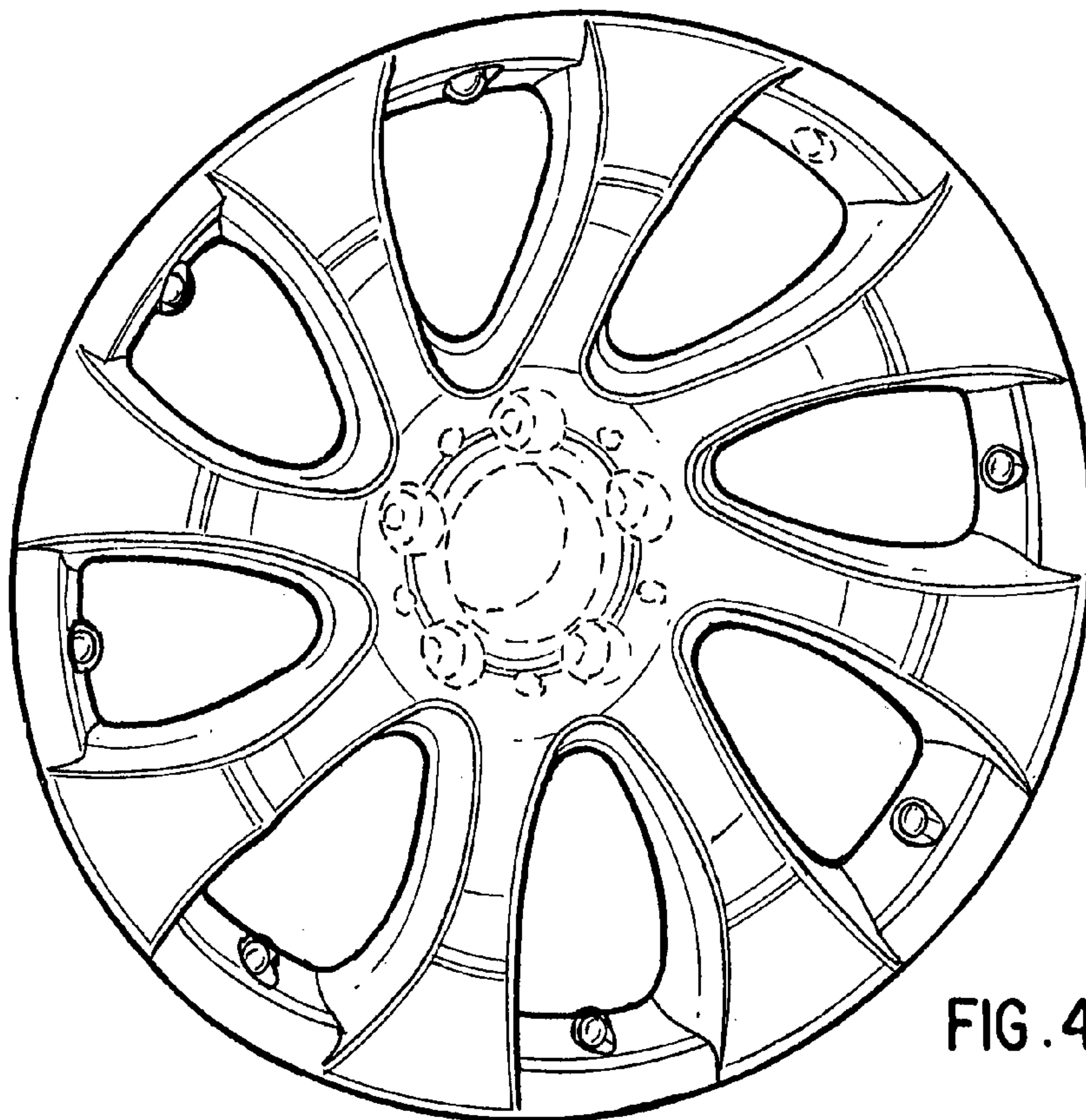


FIG. 4