



US00D577319S

(12) **United States Design Patent**
Storer

(10) **Patent No.:** **US D577,319 S**

(45) **Date of Patent:** **** Sep. 23, 2008**

- (54) **VEHICLE BRUSH GUARD**
- (75) Inventor: **Ron Storer**, Villa Park, CA (US)
- (73) Assignee: **Xtreme Metal Fab., Inc.**, Brea, CA (US)
- (**) Term: **14 Years**
- (21) Appl. No.: **29/289,847**
- (22) Filed: **Aug. 3, 2007**
- (51) **LOC (8) Cl.** **12-16**
- (52) **U.S. Cl.** **D12/171**
- (58) **Field of Classification Search** D12/171,
D12/163, 98, 90-92; 180/86.1, 86.2; 296/183.1;
280/163, 164

- 5,139,295 A 8/1992 Escobedo
- 5,215,343 A 6/1993 Fortune
- 5,277,465 A 1/1994 Weir
- 5,683,128 A 11/1997 Heyns
- 5,695,228 A 12/1997 Storer
- D396,678 S * 8/1998 Shklyaver D12/171
- 6,022,057 A 2/2000 Vermeulen
- D422,952 S * 4/2000 Waagenaar D12/171
- D422,953 S * 4/2000 Waagenaar D12/171
- D440,530 S * 4/2001 Geisler D12/171
- 6,231,093 B1 5/2001 Storer
- 6,315,338 B1 11/2001 Schneider et al.
- 6,318,773 B2 11/2001 Storer
- 6,447,032 B1 9/2002 Howell, Sr.
- 6,612,595 B1 9/2003 Storer
- D535,923 S * 1/2007 Katoh D12/171
- 7,185,930 B2 3/2007 Helzner
- D551,138 S 9/2007 Storer et al.

See application file for complete search history.

* cited by examiner

(56) **References Cited**
U.S. PATENT DOCUMENTS

- 1,037,122 A 8/1912 Buffinger et al.
- 1,306,363 A 6/1919 Warman
- 1,688,950 A 10/1928 Wait
- 1,911,413 A 5/1933 Wait
- 2,525,964 A 10/1950 Slaback
- 2,649,308 A 8/1953 Bice, Jr.
- 2,687,912 A 8/1954 Beauchamp
- 2,844,864 A 7/1958 Schilberg
- 2,954,256 A 9/1960 Barenyi
- 3,431,005 A 3/1969 Priefert
- 3,438,667 A 4/1969 Davis
- 3,470,598 A 10/1969 Berthelsen
- 3,610,609 A 10/1971 Sobel
- 3,774,952 A 11/1973 Zorn
- 4,168,855 A 9/1979 Koch
- 4,274,648 A 6/1981 Robins
- 4,753,447 A 6/1988 Hall
- 4,825,975 A 5/1989 Symes
- 4,964,256 A 10/1990 McCracken
- 5,067,760 A 11/1991 Moore et al.

Primary Examiner—Melody N Brown
(74) *Attorney, Agent, or Firm*—Stetina Brunda Garred & Brucker

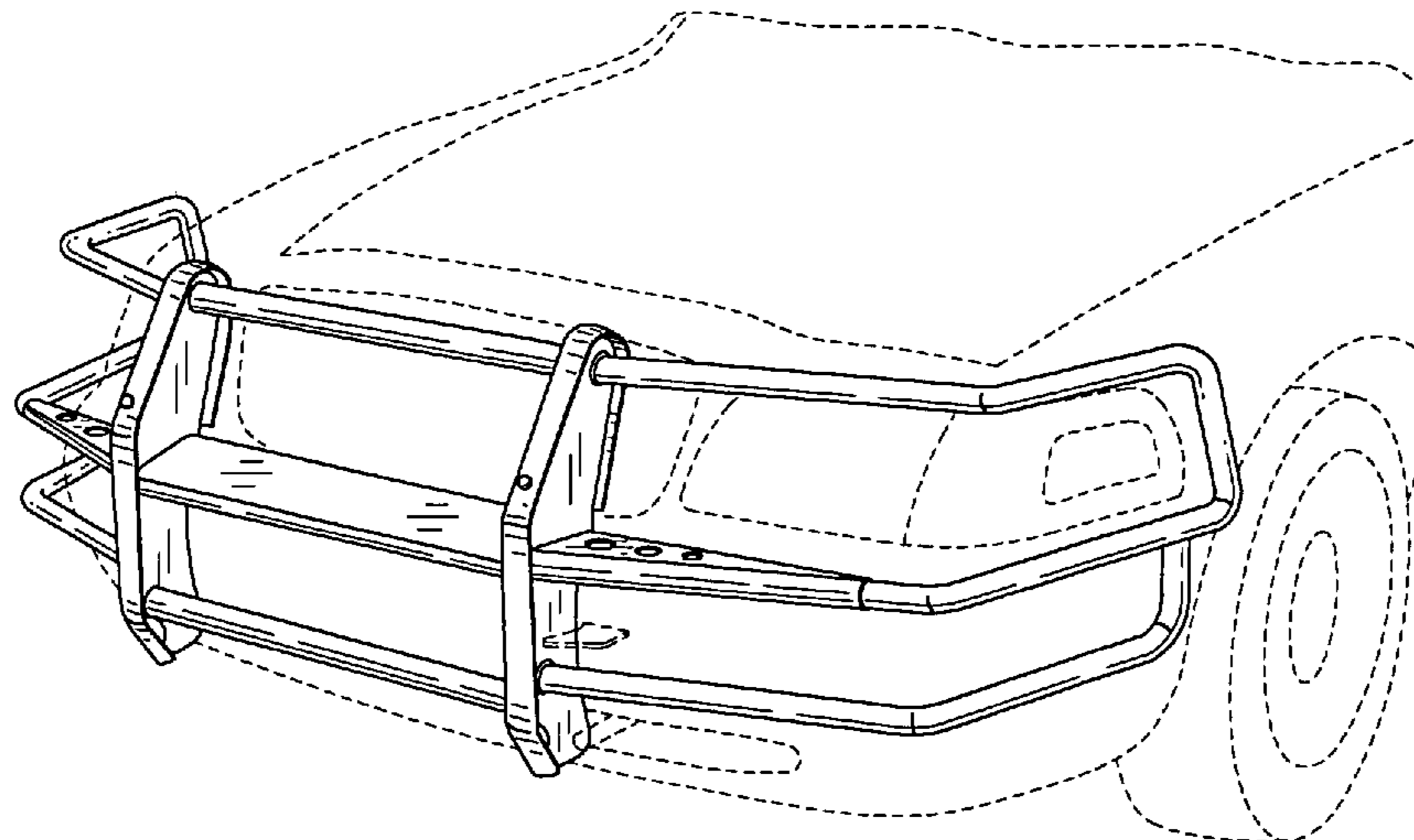
(57) **CLAIM**

The ornamental design for a vehicle brush guard, as shown and described.

DESCRIPTION

FIG. 1 is a front perspective view of the vehicle brush guard of the present invention showing my new design with the broken lines depicting solely environmental features and forming no part of the claimed design;
FIG. 2 is a side elevational view thereof;
FIG. 3 is a top plan view thereof;
FIG. 4 is a front elevational view thereof; and,
FIG. 5 is a bottom plan view thereof.

1 Claim, 2 Drawing Sheets



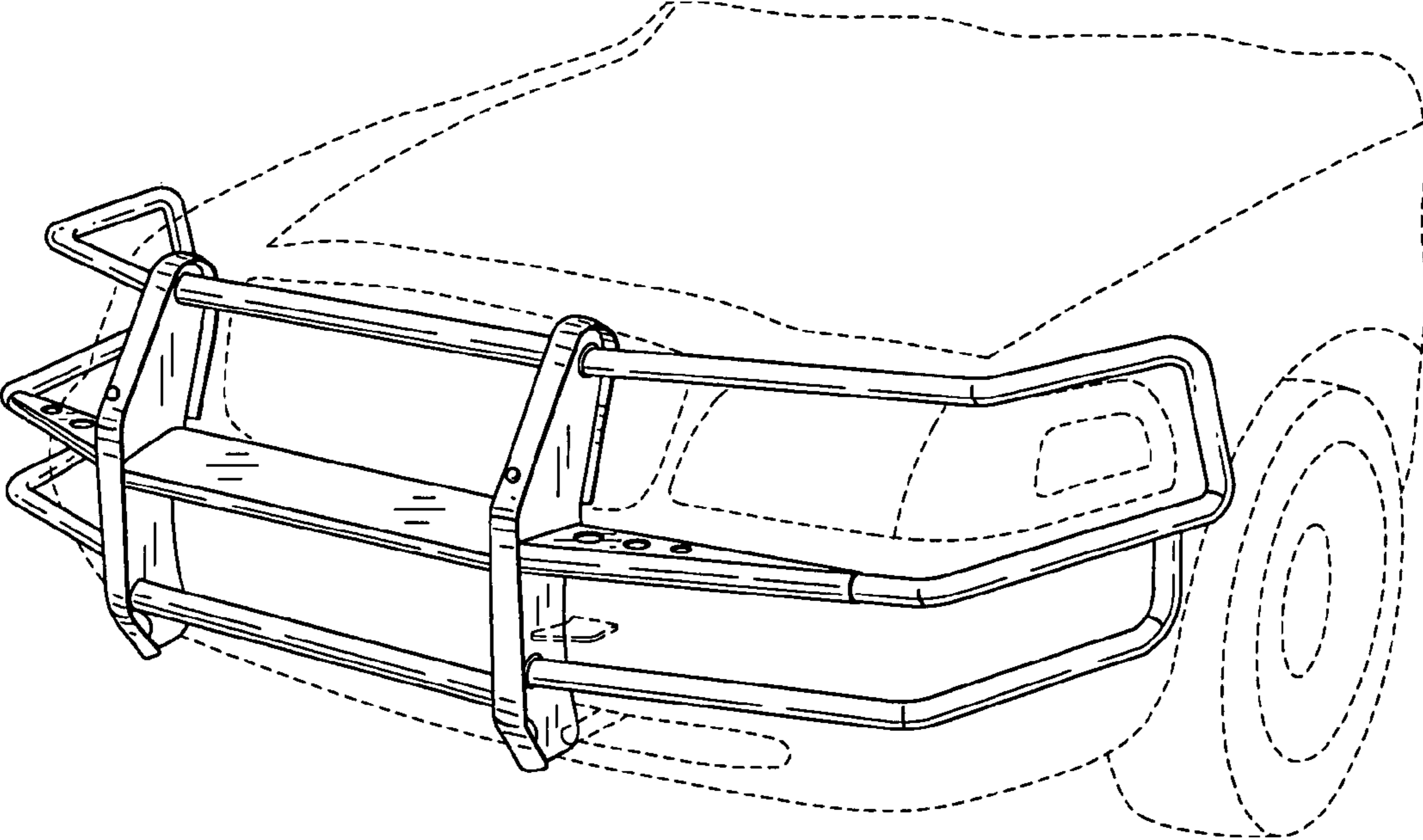


Fig. 1

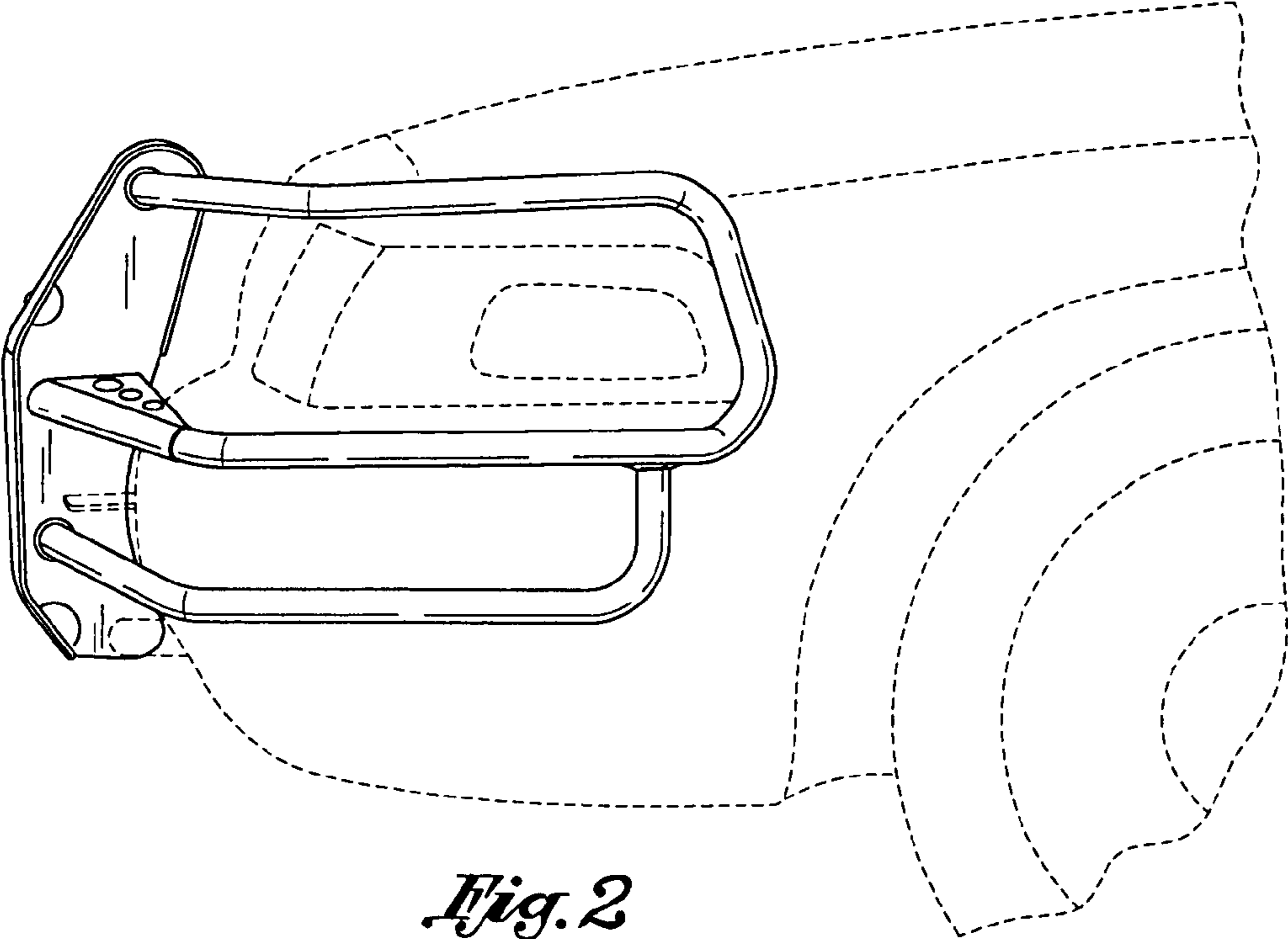


Fig. 2

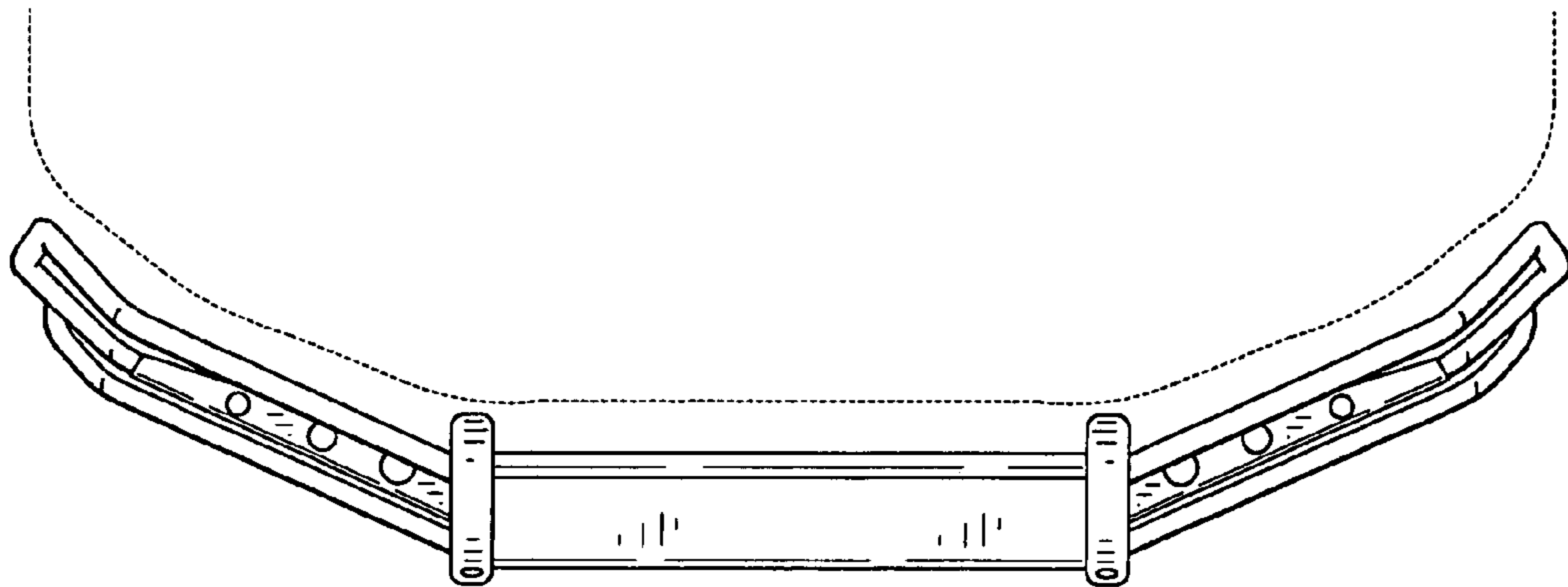


Fig. 3

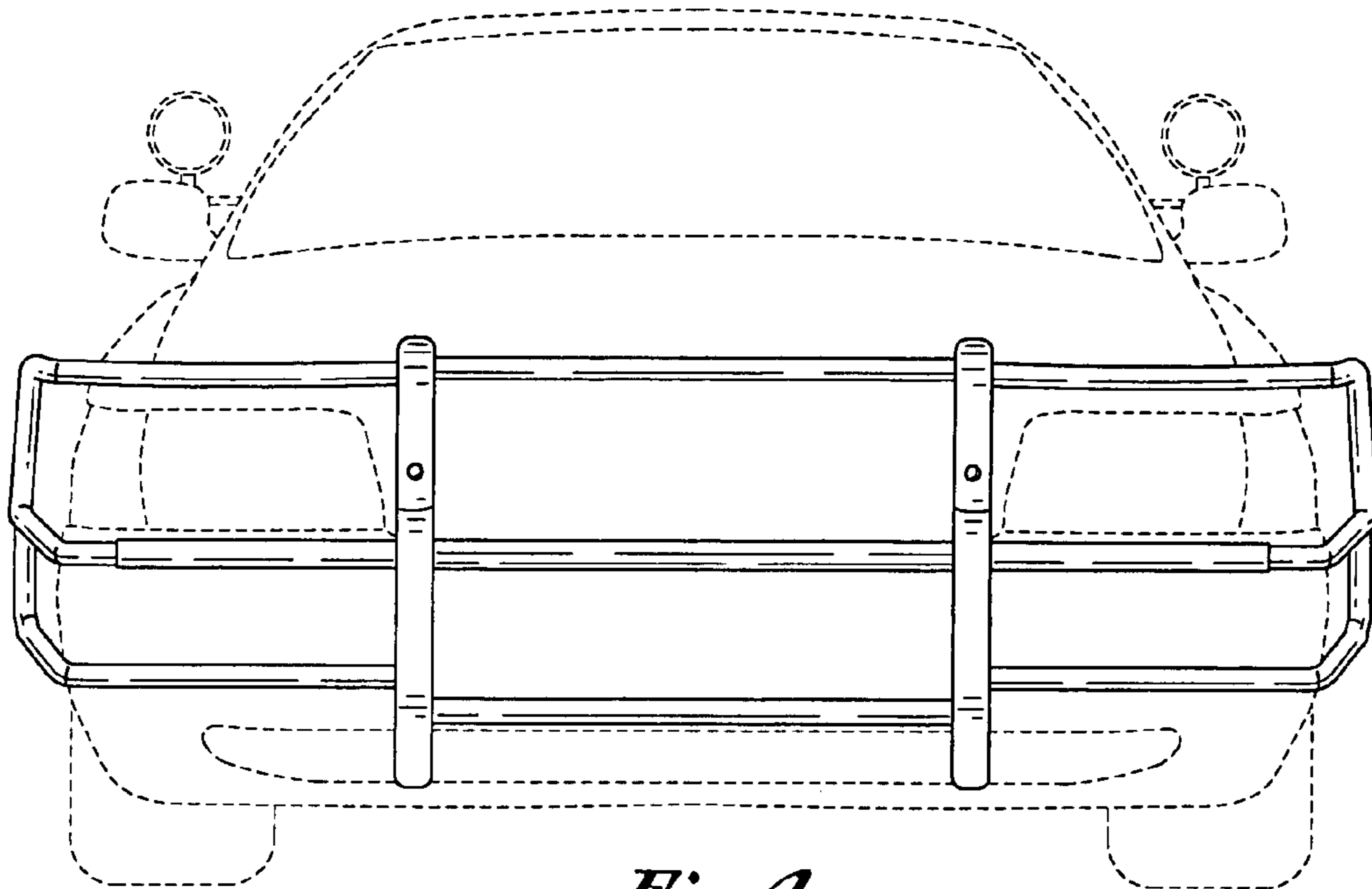


Fig. 4

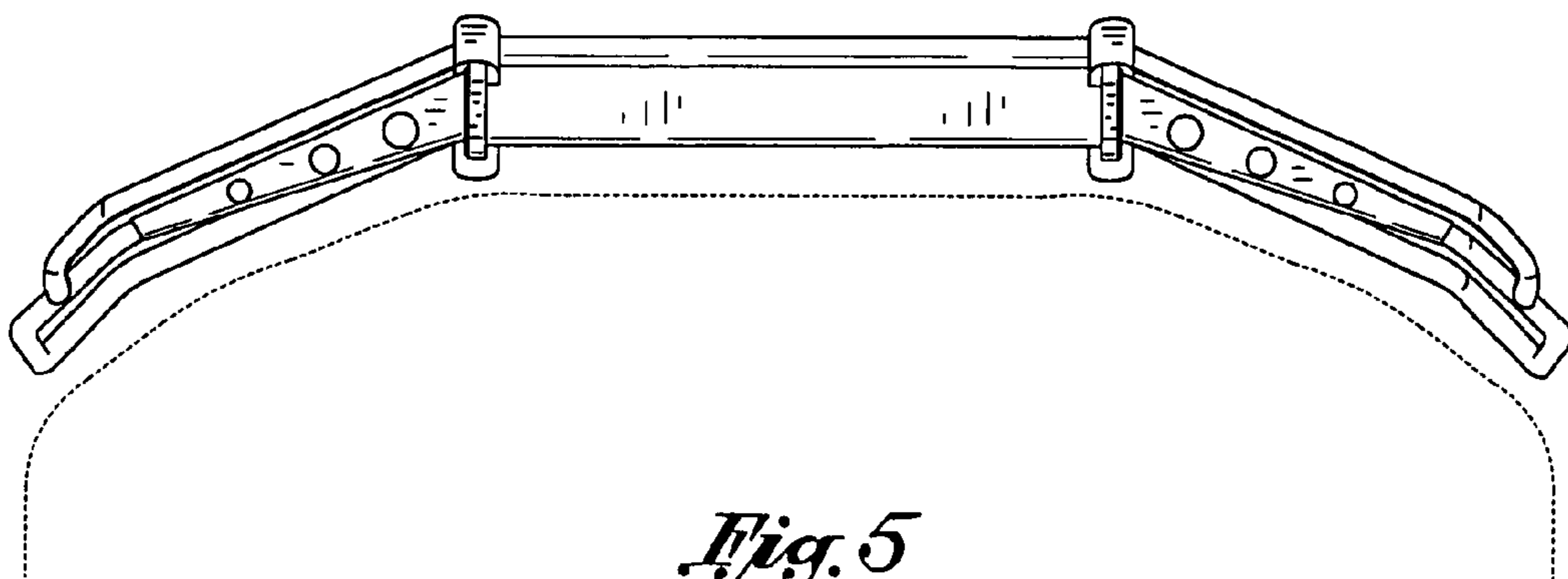


Fig. 5