



US00D577314S

(12) **United States Design Patent**
Dockery

(10) **Patent No.:** **US D577,314 S**
(45) **Date of Patent:** **** Sep. 23, 2008**

(54) **RACING STYLE VEHICLE BODY**

(76) Inventor: **Devan Dockery**, deceased, late of
Defuniak Springs FL (US); by **Connie Taylor**, legal representative, 59 N.
County Highway 10A, Defuniak Springs,
FL (US) 32433

(**) Term: **14 Years**

(21) Appl. No.: **29/281,945**

(22) Filed: **Jul. 6, 2007**

(51) **LOC (8) Cl.** **12-08**

(52) **U.S. Cl.** **D12/88**

(58) **Field of Classification Search** D12/86-88,
D12/90-92; 296/185.1
See application file for complete search history.

(56) **References Cited**

U.S. PATENT DOCUMENTS

D260,913 S *	9/1981	Chapman	D21/550
D268,940 S *	5/1983	Head	D12/88
D275,940 S *	10/1984	Ogilvie	D21/550
D365,782 S *	1/1996	Reynard et al.	D12/88
D402,922 S *	12/1998	Singer et al.	D12/92
D418,088 S *	12/1999	Fioravanti	D12/92

D438,144 S *	2/2001	Hettler	D12/88
D465,814 S *	11/2002	Koveleski	D21/433
D471,489 S *	3/2003	Greenfield	D12/88
D506,415 S *	6/2005	Byrne	D12/88
D528,041 S *	9/2006	Costa	D12/88
D552,510 S *	10/2007	Costa	D12/88

* cited by examiner

Primary Examiner—Melody N Brown

(74) *Attorney, Agent, or Firm*—William E. Schmidt, PC

(57) **CLAIM**

The ornamental design for a racing style vehicle body, as shown and described.

DESCRIPTION

FIG. 1 is a front and left side perspective view of a racing style vehicle body showing my new design, the wheels shown in broken lines are for illustrative purposes only and form no part of the claimed design;

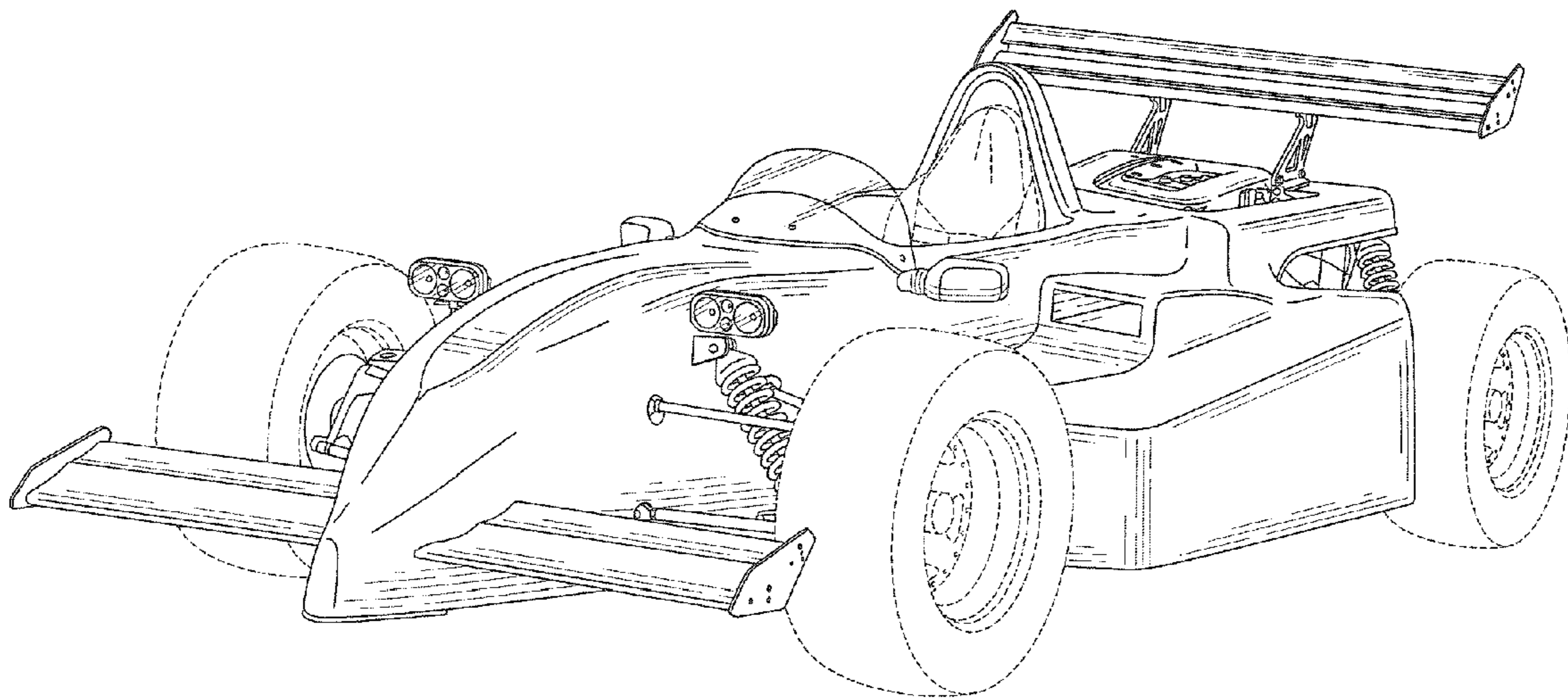
FIG. 2 is a front elevation view thereof;

FIG. 3 is a rear elevation view thereof;

FIG. 4 is a left side elevation thereof; and,

FIG. 5 is a right side elevation view thereof.

1 Claim, 4 Drawing Sheets



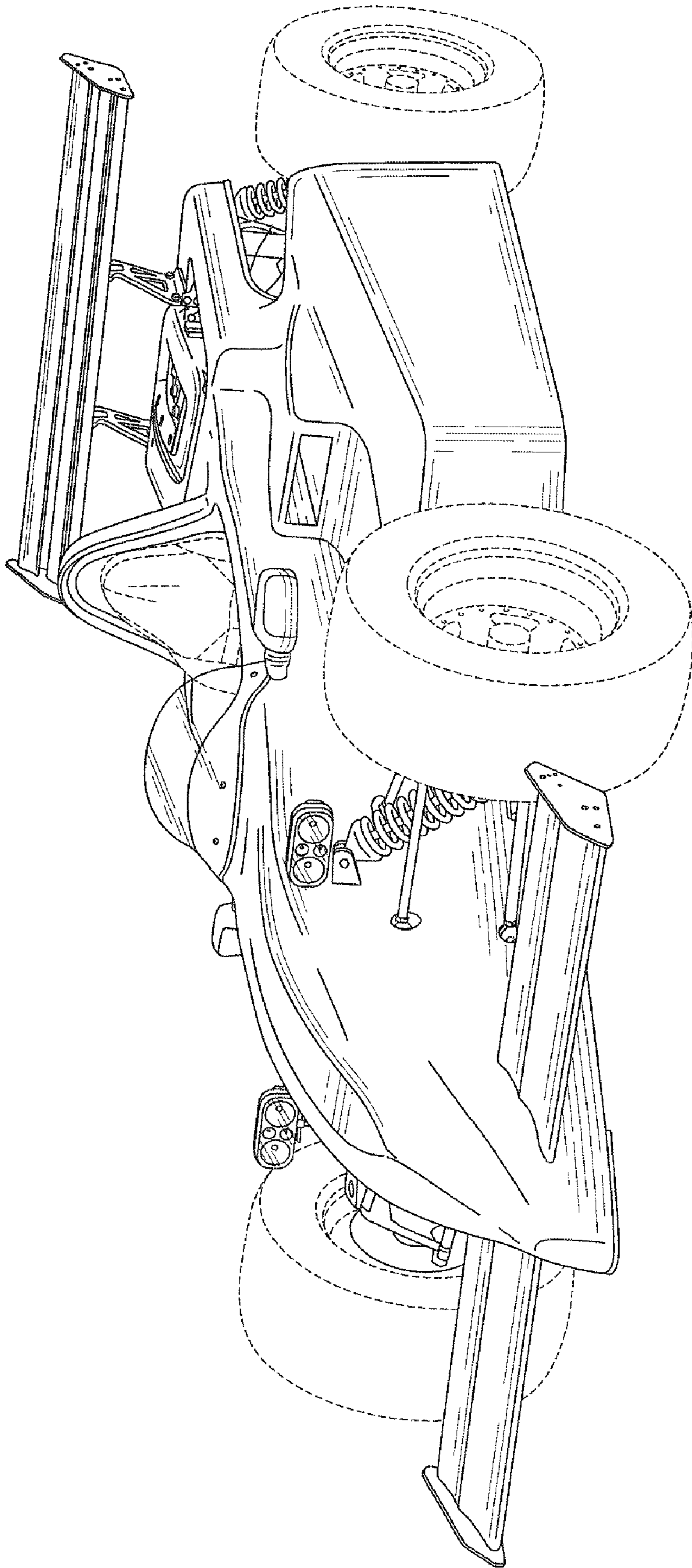


FIG. 1

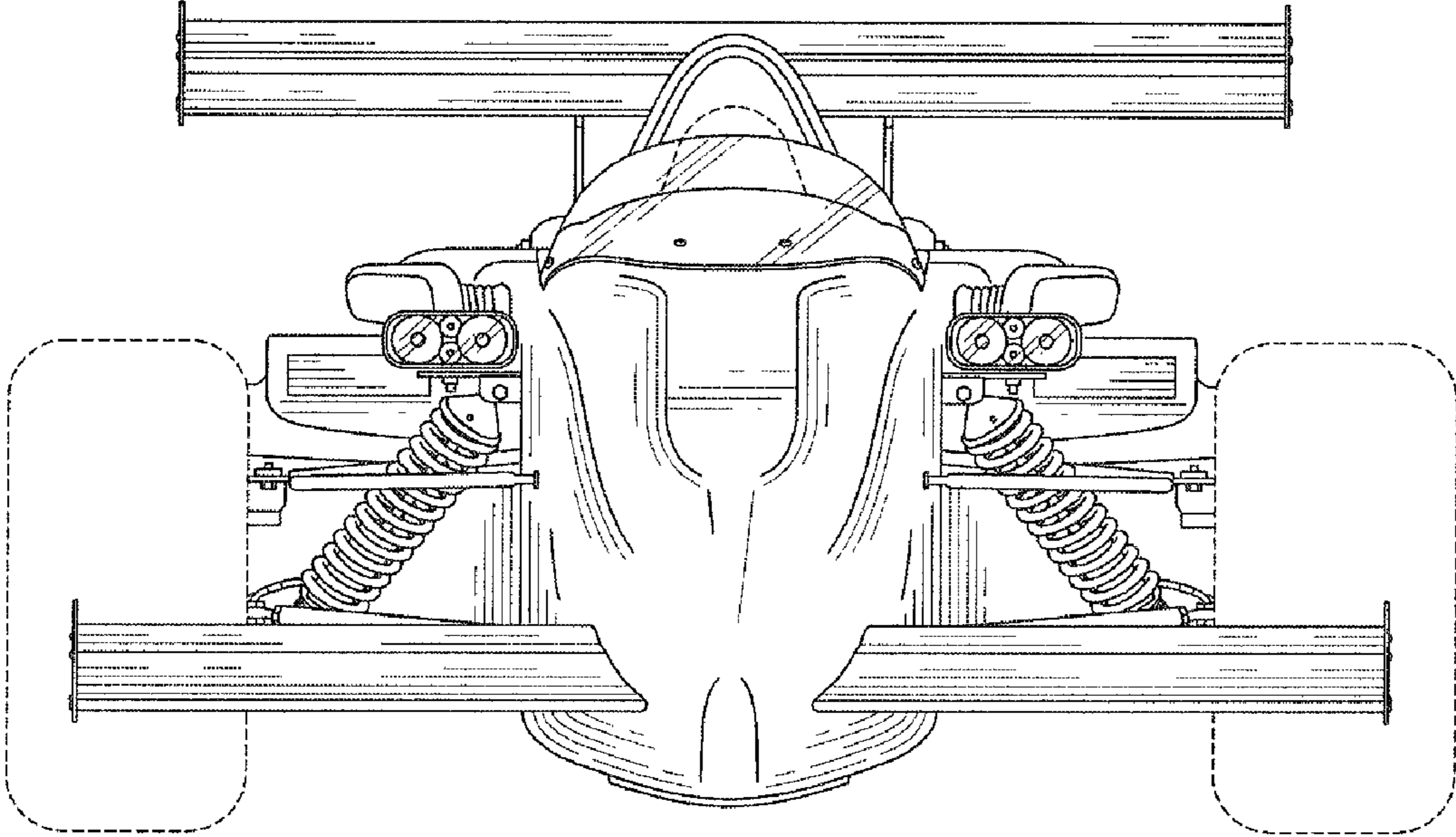


FIG. 2

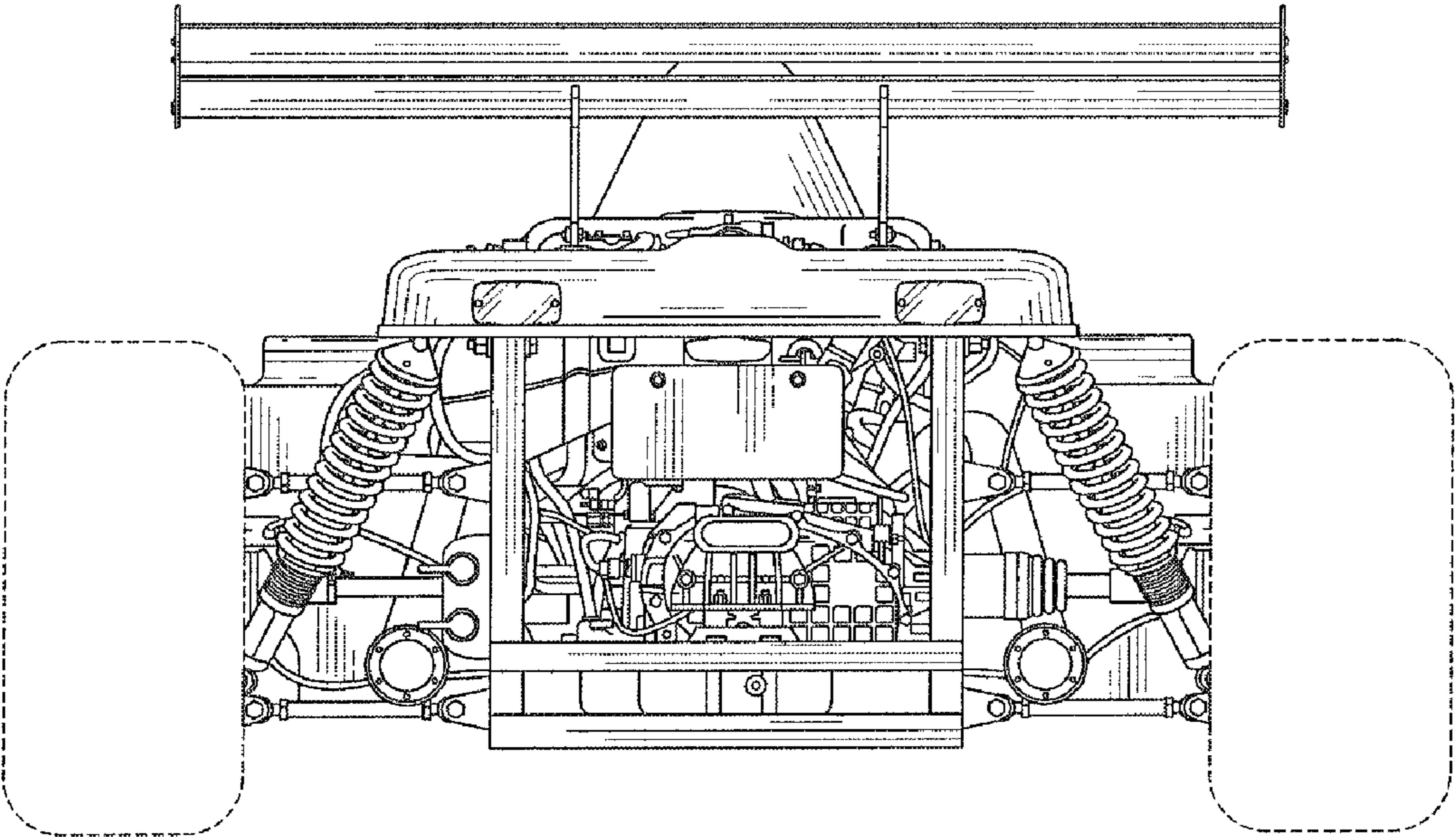


FIG. 3

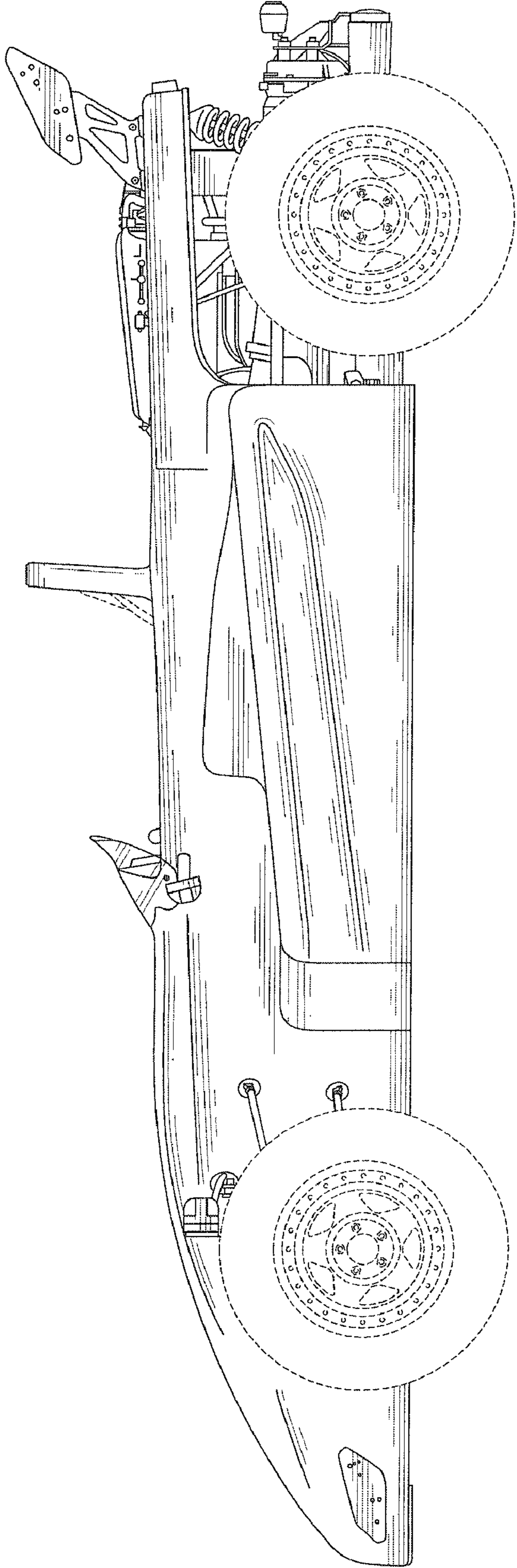


FIG. 4

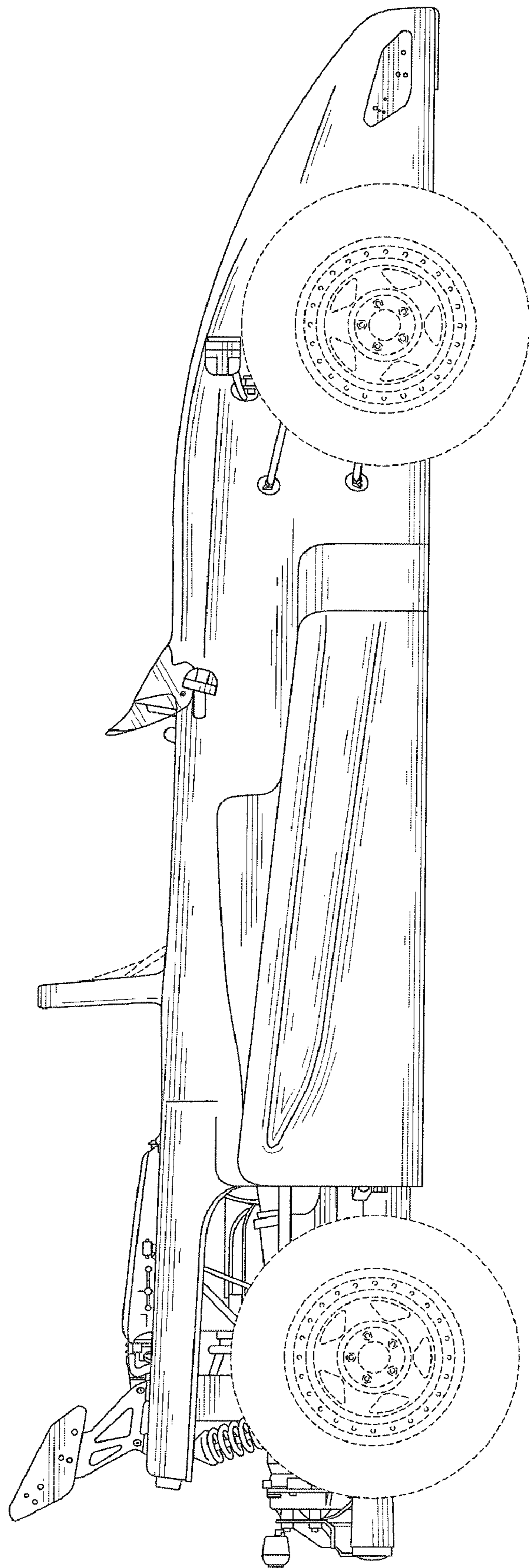


FIG. 5