



US00D577301S

(12) **United States Design Patent**
Johnson et al.

(10) **Patent No.:** **US D577,301 S**

(45) **Date of Patent:** **** Sep. 23, 2008**

(54) **GAS DETECTOR**

(57) **CLAIM**

(75) Inventors: **Dale H. Johnson**, Elgin, IL (US);
Eduardo Vazquez, Saint Charles, IL
(US)

The ornamental design for gas detector, substantially as shown and described.

(73) Assignee: **Honeywell International, Inc.**,
Morristown, NJ (US)

DESCRIPTION

(**) Term: **14 Years**

FIG. 1 is an isometric view of one embodiment of the present design;

(21) Appl. No.: **29/281,181**

FIG. 2 is a top plan view of the embodiment of FIG. 1;

(22) Filed: **Jun. 18, 2007**

FIG. 3 is an elevational side view of the gas detector of FIG. 1 with a first orientation;

(51) **LOC (8) Cl.** **10-04**

FIG. 4 is an elevational side view of the gas detector of FIG. 1 from a second orientation;

(52) **U.S. Cl.** **D10/81; D10/106**

FIG. 5 is an elevational side view of the gas detector of FIG. 1 from a third orientation;

(58) **Field of Classification Search** D10/81,
D10/104-106; 340/693.5, 628, 970.73, 632,
340/633, 636.1, 630, 635, 636.19; 702/100;
73/1.16, 1.37, 31.07, 31, 1.01-1.05, 116,
73/4.5 R, 40.5, 40.7, 31.02, 23.2, 863.01,
73/864.73, 23.31; 324/464, 465, 514

FIG. 6 is an elevational side view of the gas detector of FIG. 1 from a fourth orientation;

See application file for complete search history.

FIG. 7 is an isometric view of another embodiment of the present invention;

(56) **References Cited**

FIG. 8 is a top plan view of the embodiment of FIG. 7;

U.S. PATENT DOCUMENTS

FIG. 9 is an elevational side view of the gas detector of FIG. 7 with a first orientation;

D340,659 S * 10/1993 Fenne D10/106
D505,632 S * 5/2005 Johnson et al. D10/106

FIG. 10 is an elevational side view of the gas detector of FIG. 7 from a second orientation;

OTHER PUBLICATIONS

System Sensor Specification Sheet, Model 5808W3 Wireless Smoke Detector, Published May 2006, USA (2 pages).

FIG. 11 is an elevational side view of the gas detector of FIG. 7 from a third orientation; and,

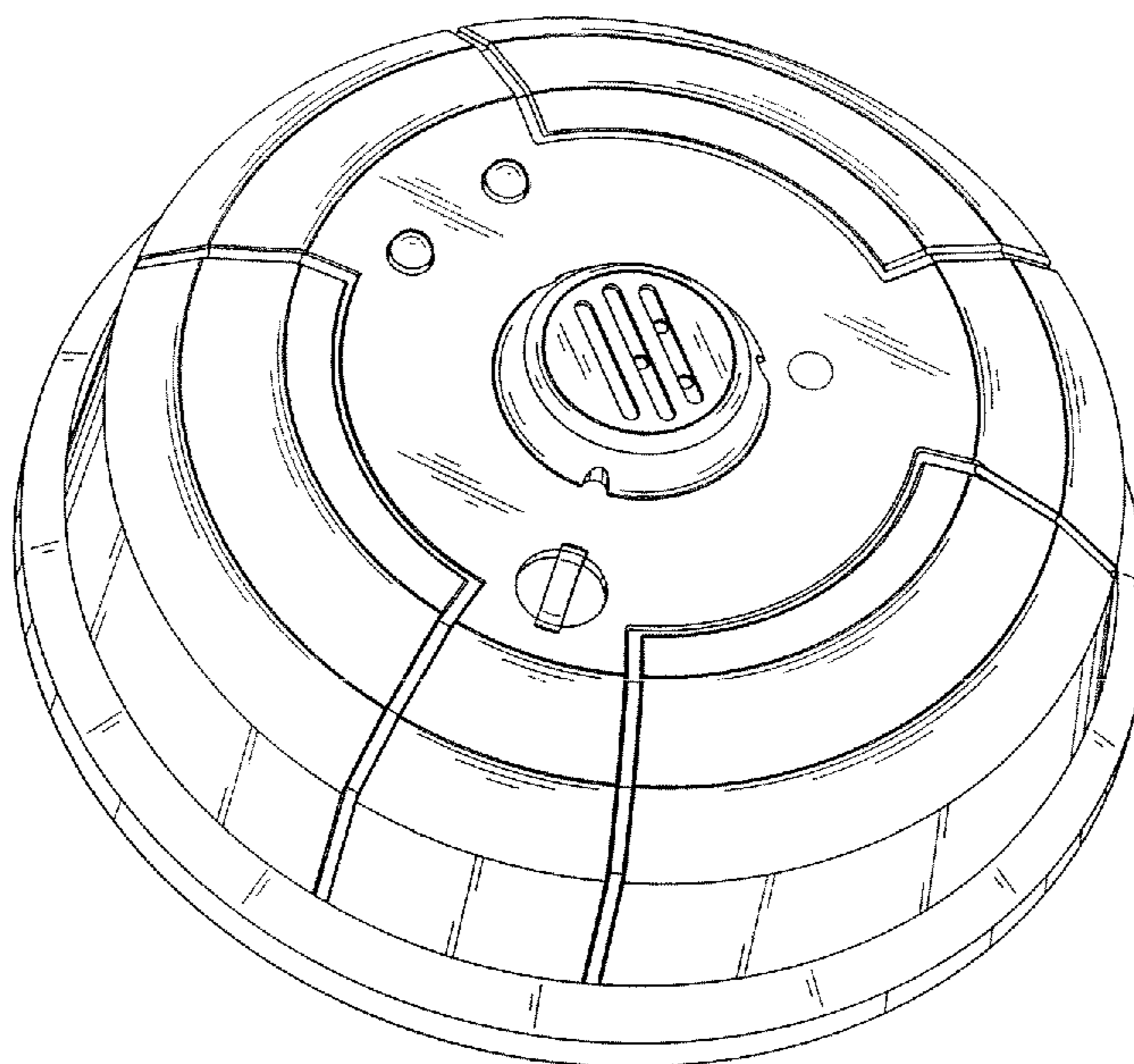
* cited by examiner

FIG. 12 is an elevational and a side view of the gas detector of FIG. 7 from a fourth orientation.

Primary Examiner—Antoine D. Davis
(74) *Attorney, Agent, or Firm*—Husch Blackwell Sanders
Welsh & Katz

The bottom views have not been illustrated for either of the above-noted embodiments. Those views are unadorned and not part of the invention.

1 Claim, 8 Drawing Sheets



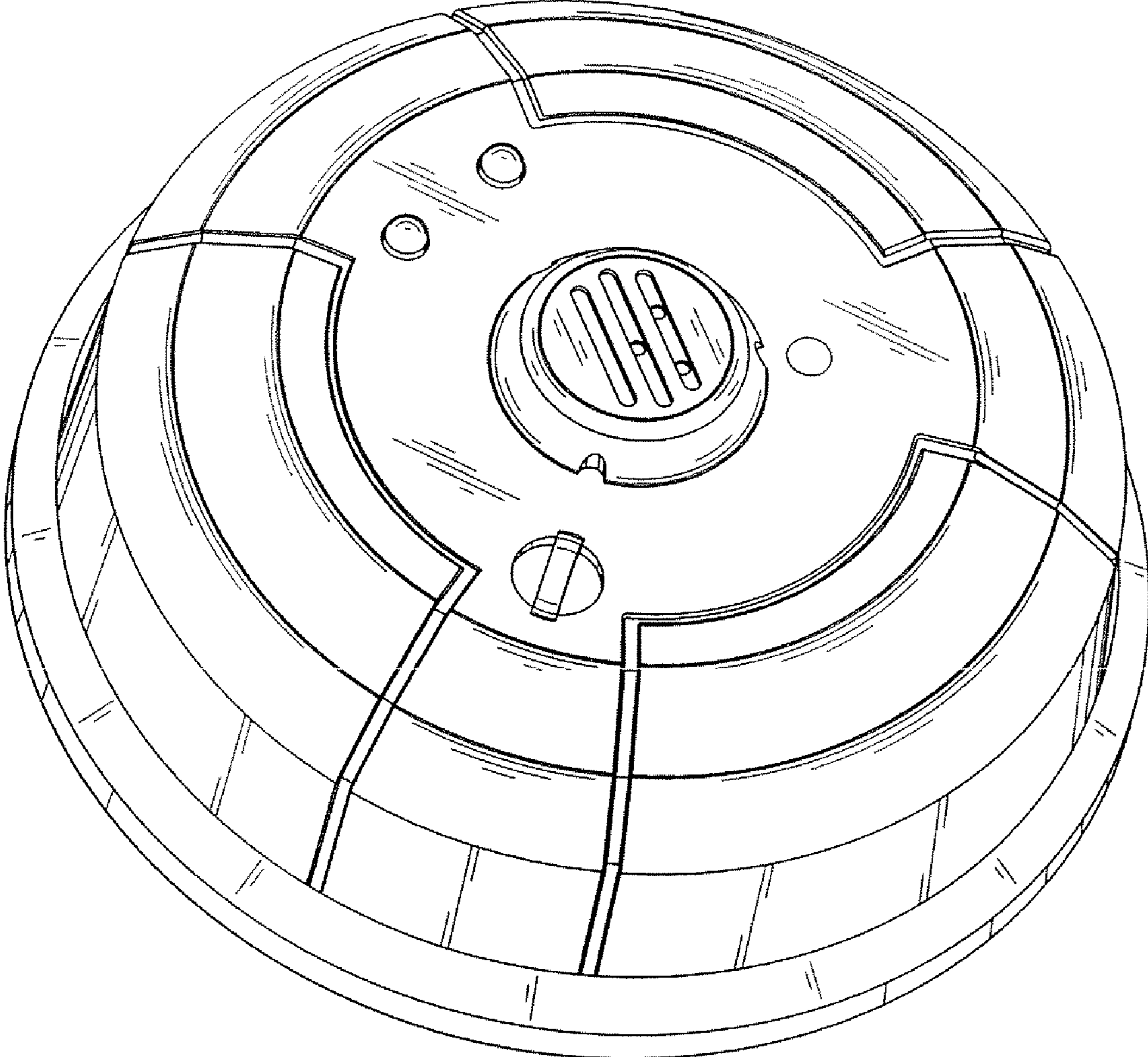


FIG. 1

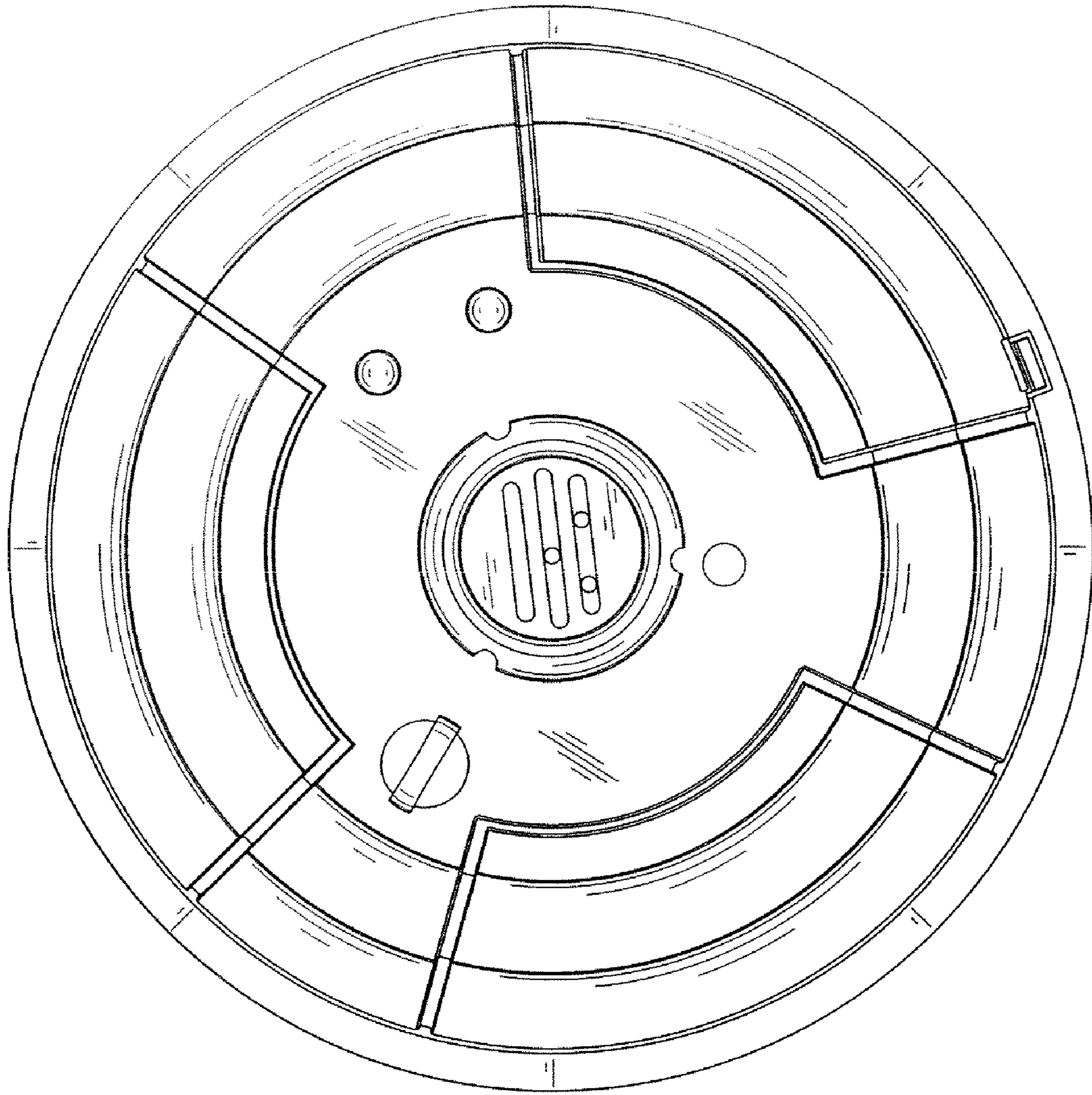


FIG. 2

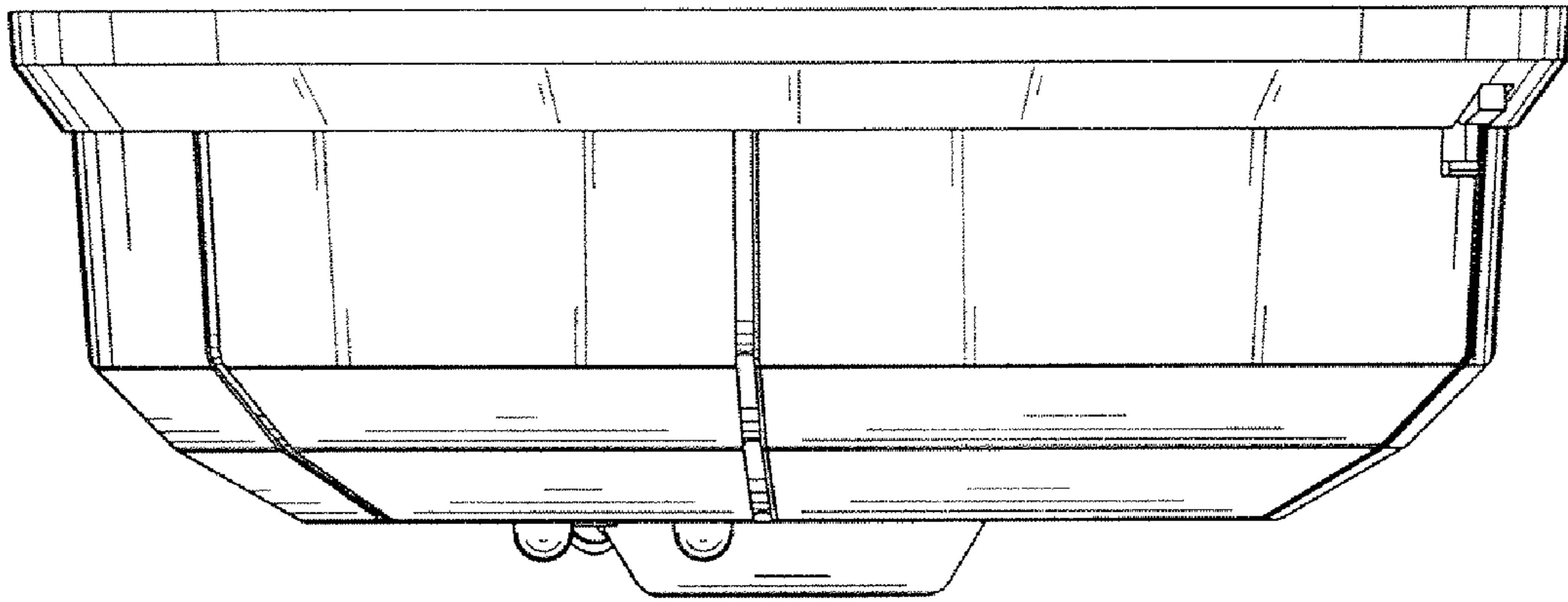


FIG. 3

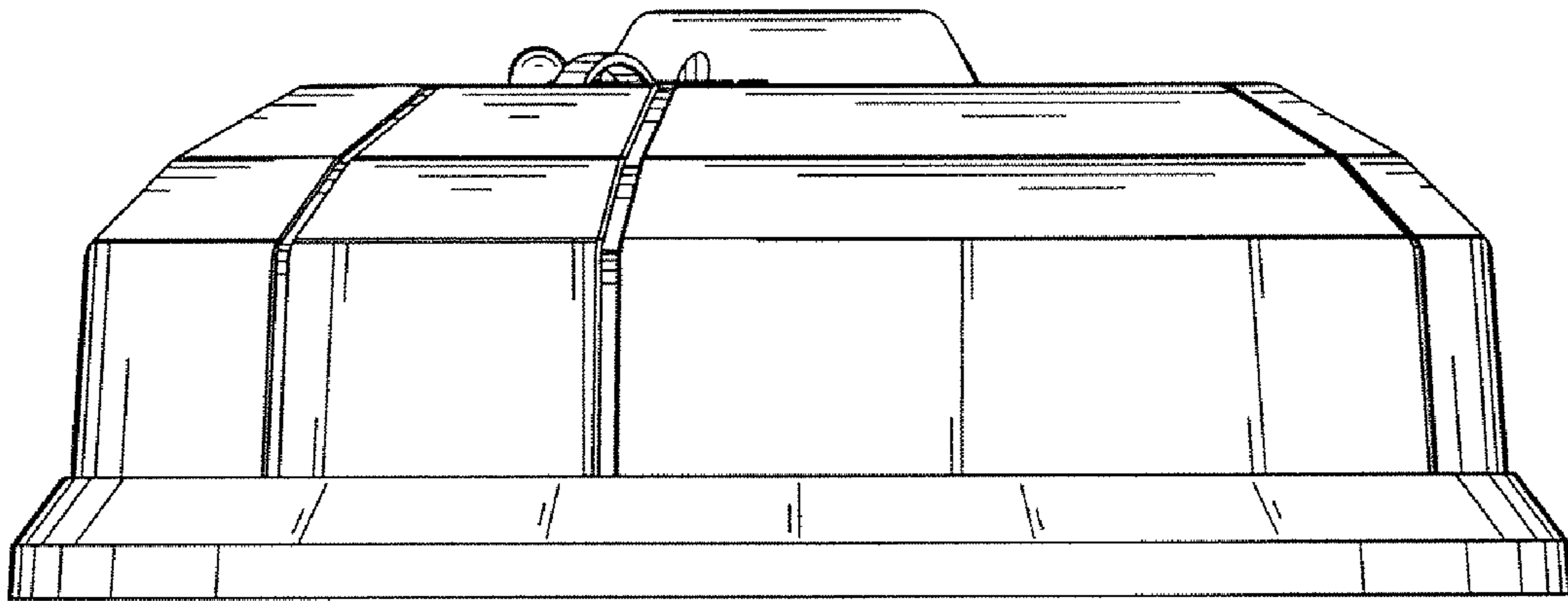


FIG. 4

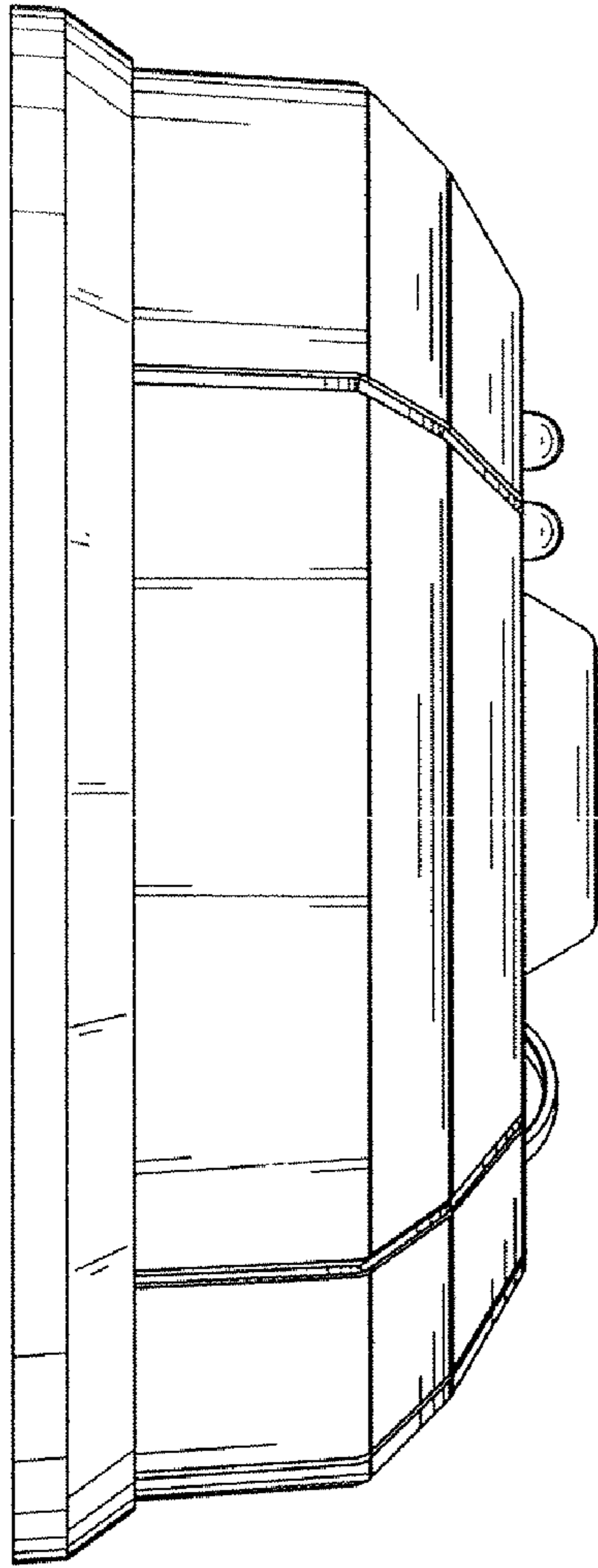


FIG. 5

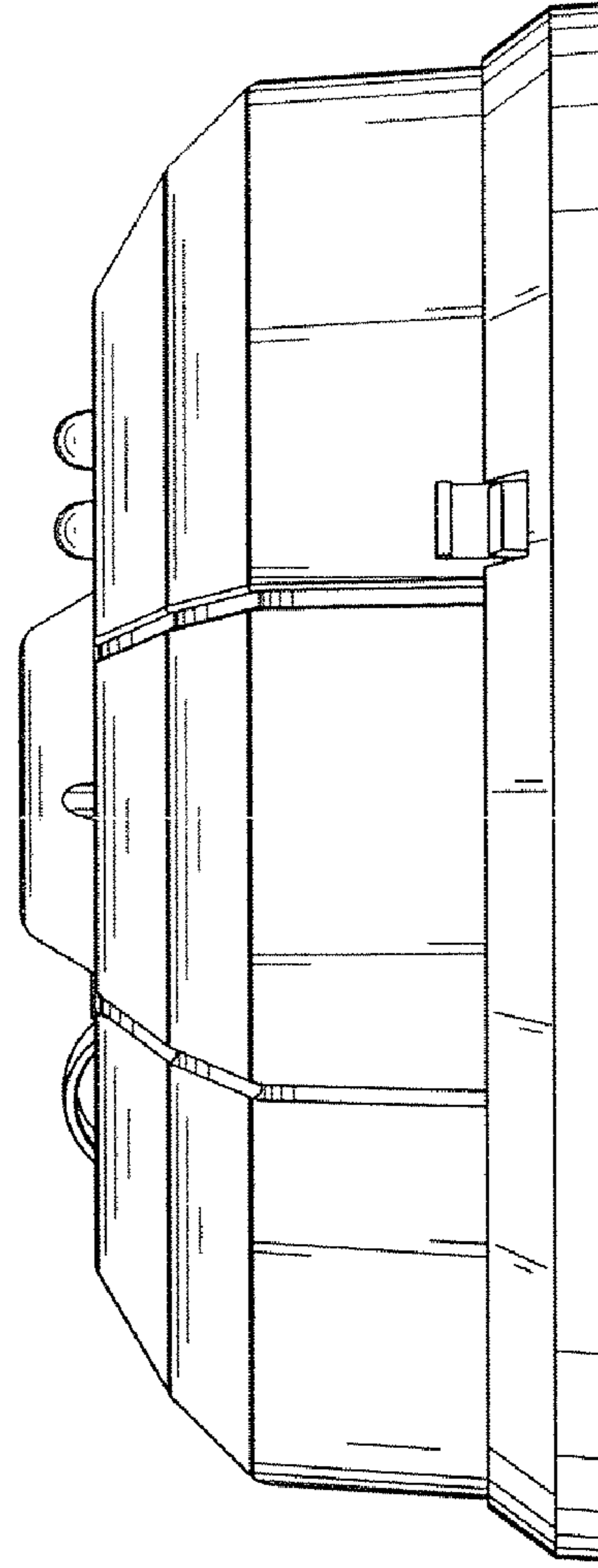


FIG. 6

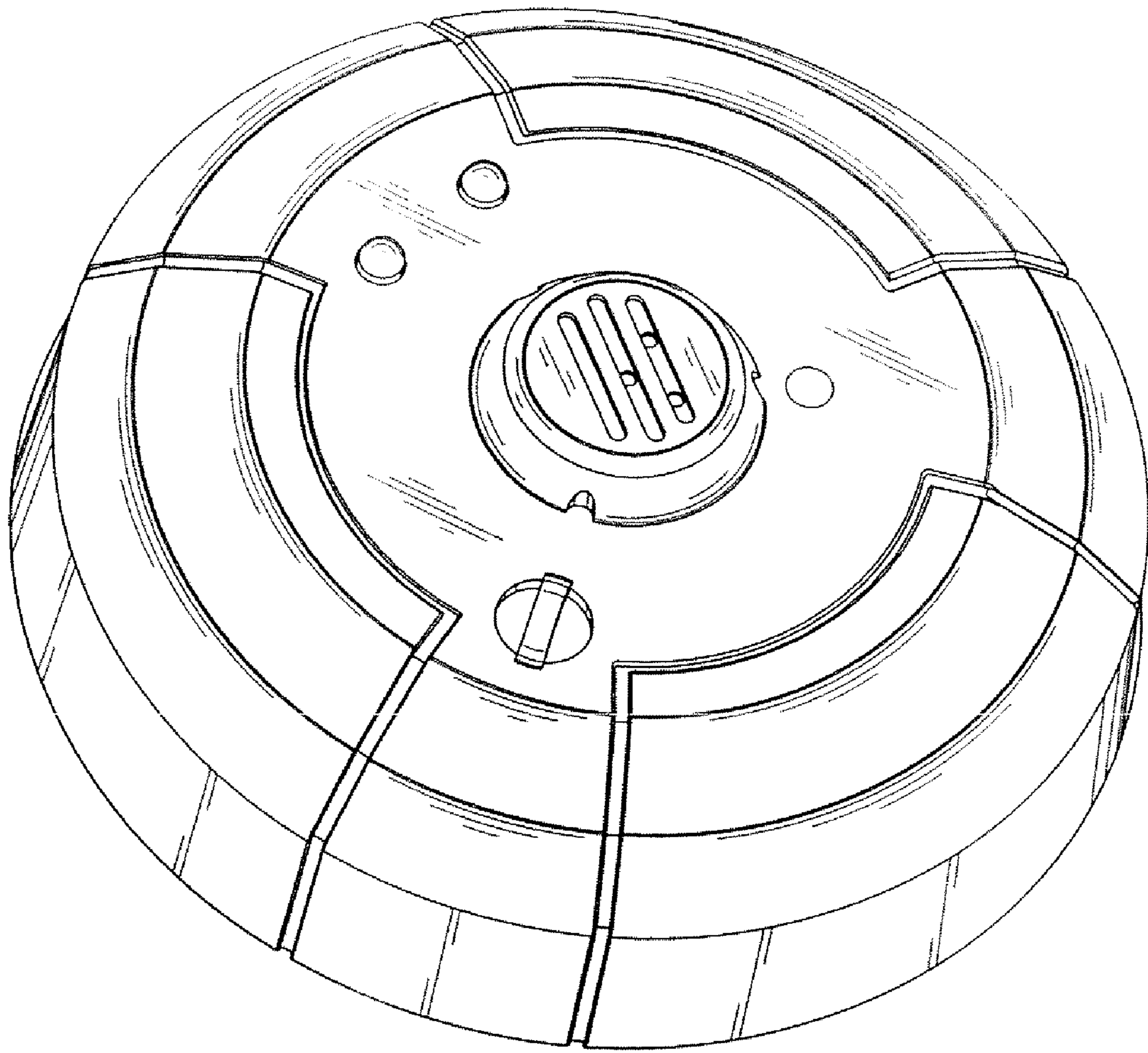


FIG. 7

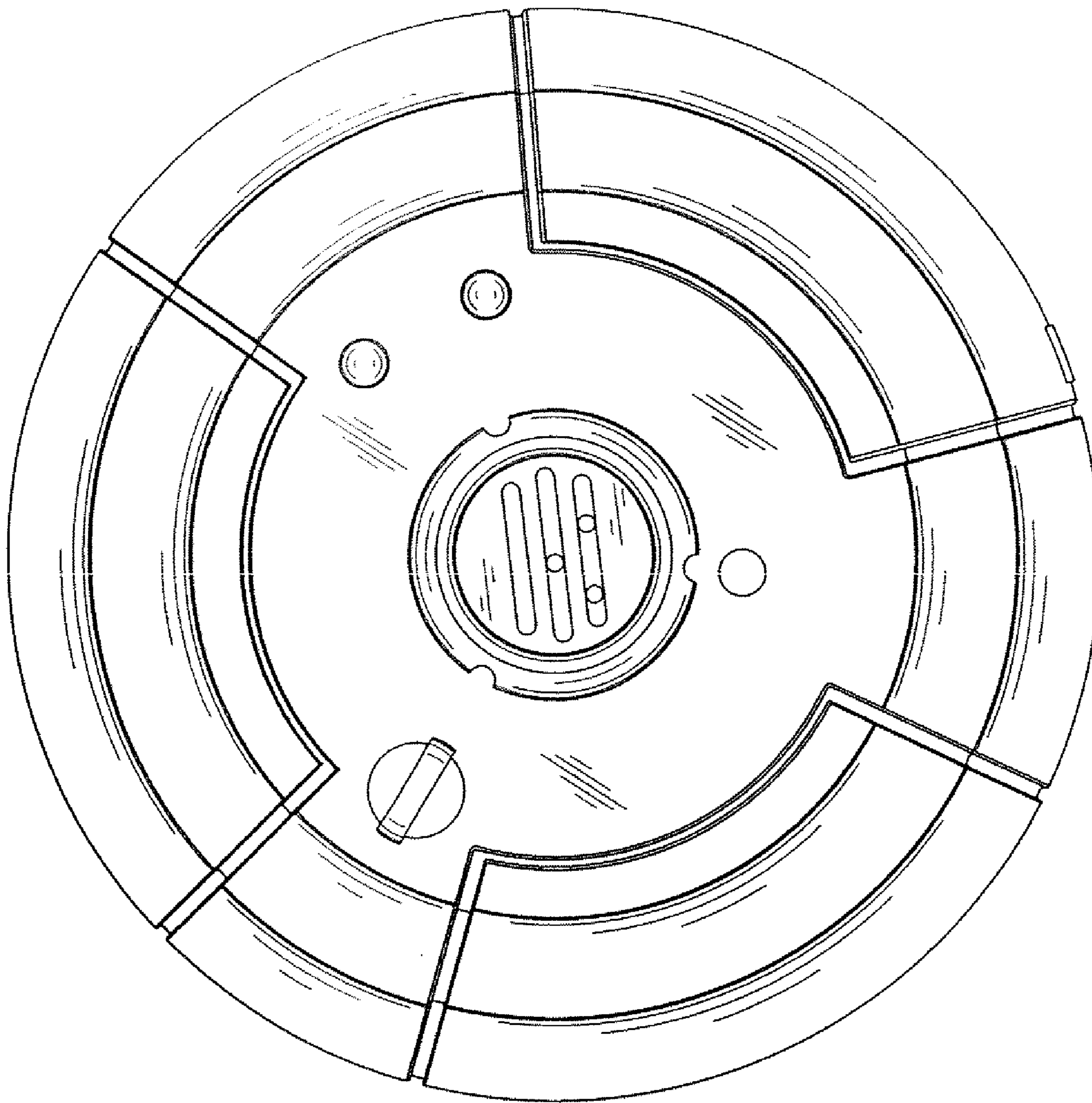


FIG. 8

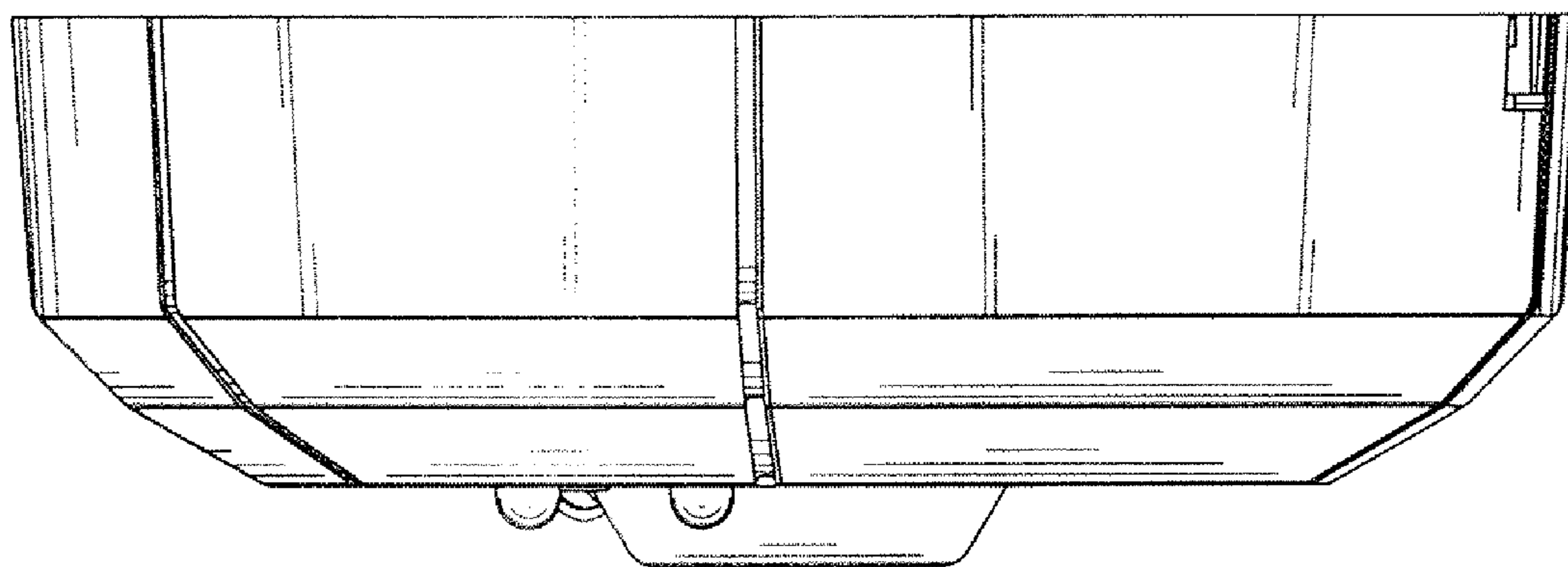


FIG. 9

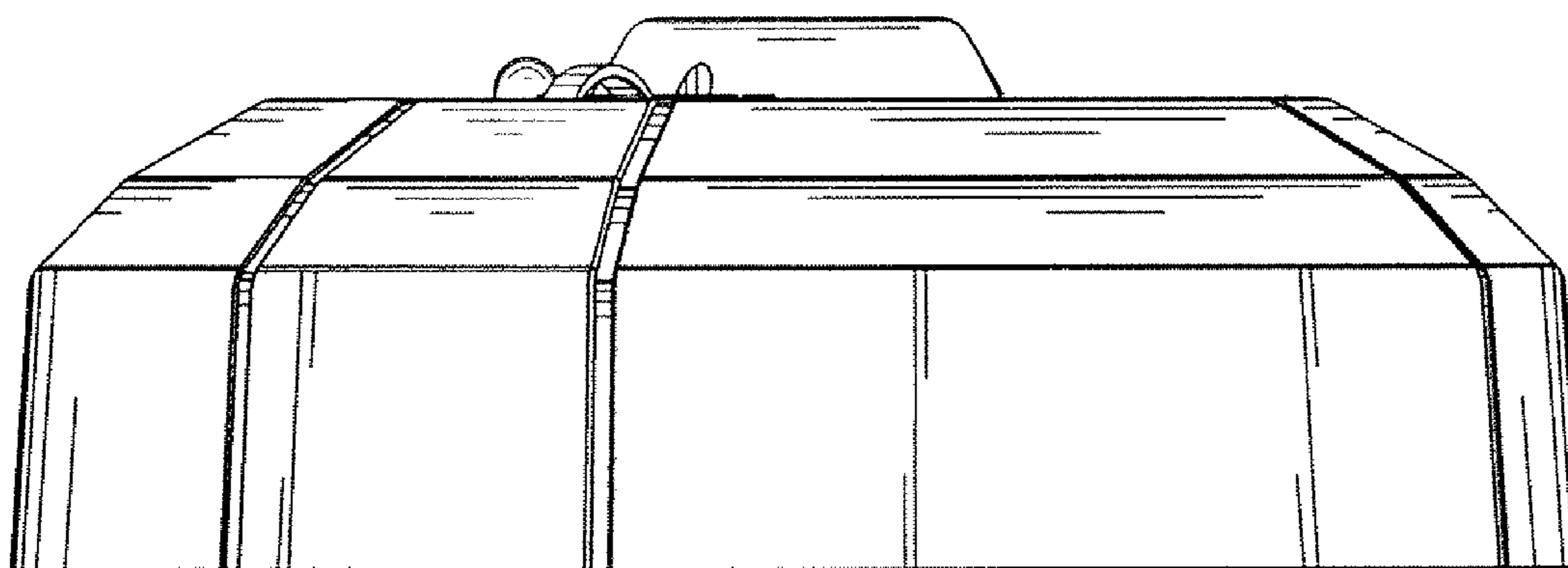


FIG. 10

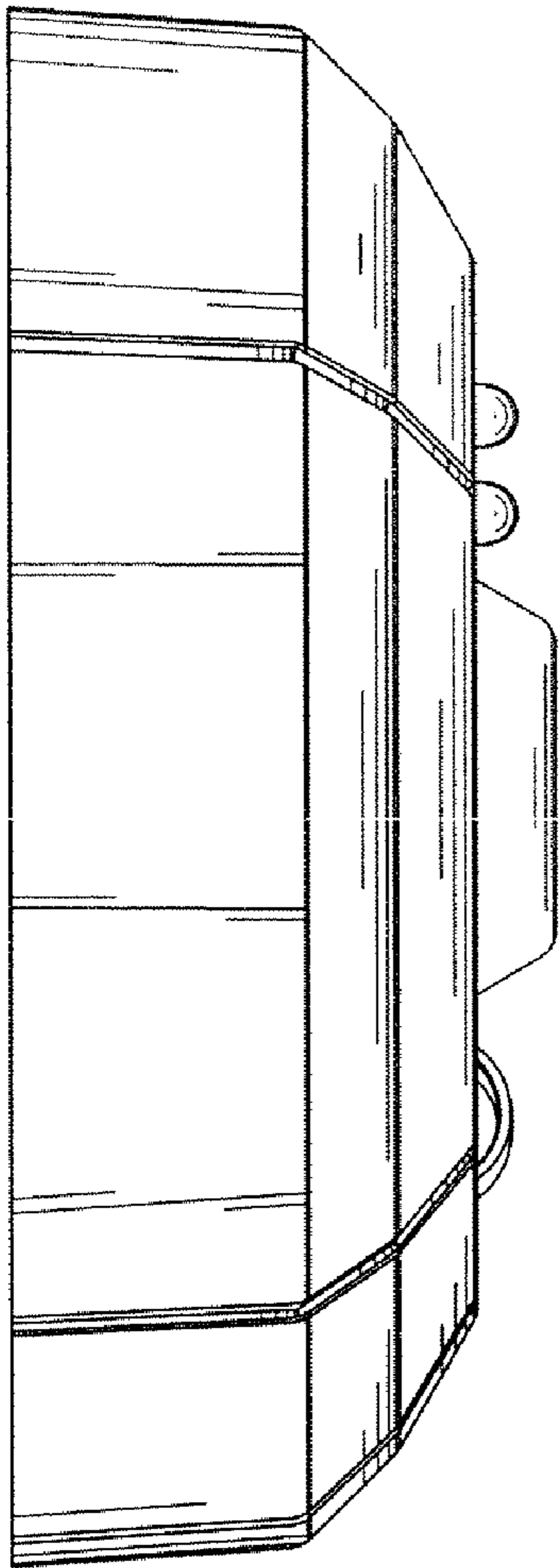


FIG. 11

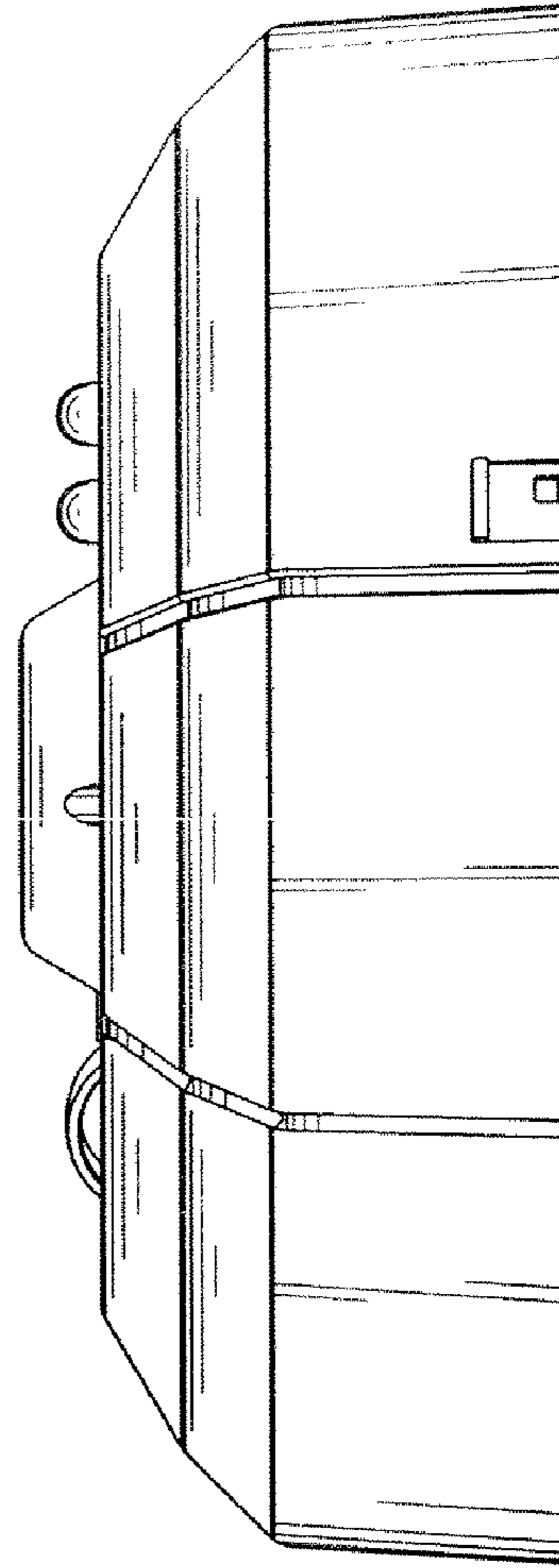


FIG. 12