

US00D577296S

(12) **United States Design Patent**  
**Manning**

(10) **Patent No.:** **US D577,296 S**

(45) **Date of Patent:** **\*\* Sep. 23, 2008**

(54) **CLOCK**

(76) Inventor: **Robert Douglas Manning**, 220 N.  
Summit, Prairie Grove, AR (US) 72753

(\*\*) Term: **14 Years**

(21) Appl. No.: **29/301,088**

(22) Filed: **Feb. 8, 2008**

(51) **LOC (8) Cl.** ..... **10-01**

(52) **U.S. Cl.** ..... **D10/2; D10/17; D10/25**

(58) **Field of Classification Search** ..... D10/1,  
D10/2, 17, 21, 24, 25, 26, 27; 368/10, 276,  
368/277, 285, 316, 317, 223, 228, 232, 238  
See application file for complete search history.

(56) **References Cited**

**U.S. PATENT DOCUMENTS**

D102,515 S *	12/1936	Bloem	.....	D10/2
D210,895 S *	4/1968	Daher	.....	D10/10
D212,195 S *	9/1968	Baker	.....	D10/124
D222,840 S *	1/1972	Summers	.....	D10/124
3,992,872 A *	11/1976	Stanish	.....	368/67
D248,626 S *	7/1978	Lucich	.....	D10/2
D262,947 S *	2/1982	Barsanti	.....	D10/6
D266,992 S *	11/1982	Powell	.....	D10/2
D291,783 S *	9/1987	Baumer	.....	D10/2

D312,575 S *	12/1990	Butler	.....	D10/2
D325,873 S *	5/1992	Hosker et al.	.....	D10/2
D339,297 S *	9/1993	Balch	.....	D10/6
D358,994 S *	6/1995	Preset	.....	D10/7
D394,390 S *	5/1998	Calello	.....	D10/2
D394,814 S *	6/1998	Chen	.....	D10/2
D420,597 S *	2/2000	Emdur	.....	D10/2
D431,474 S *	10/2000	Moore	.....	D10/25

\* cited by examiner

*Primary Examiner*—Lucy Lieberman

(74) *Attorney, Agent, or Firm*—Thomte Patent Law Office;  
Dennis L. Thomte

(57) **CLAIM**

The ornamental design for a clock, as shown and described.

**DESCRIPTION**

FIG. 1 is a front perspective view of a clock showing my new design;

FIG. 2 is a top view of the clock of FIG. 1;

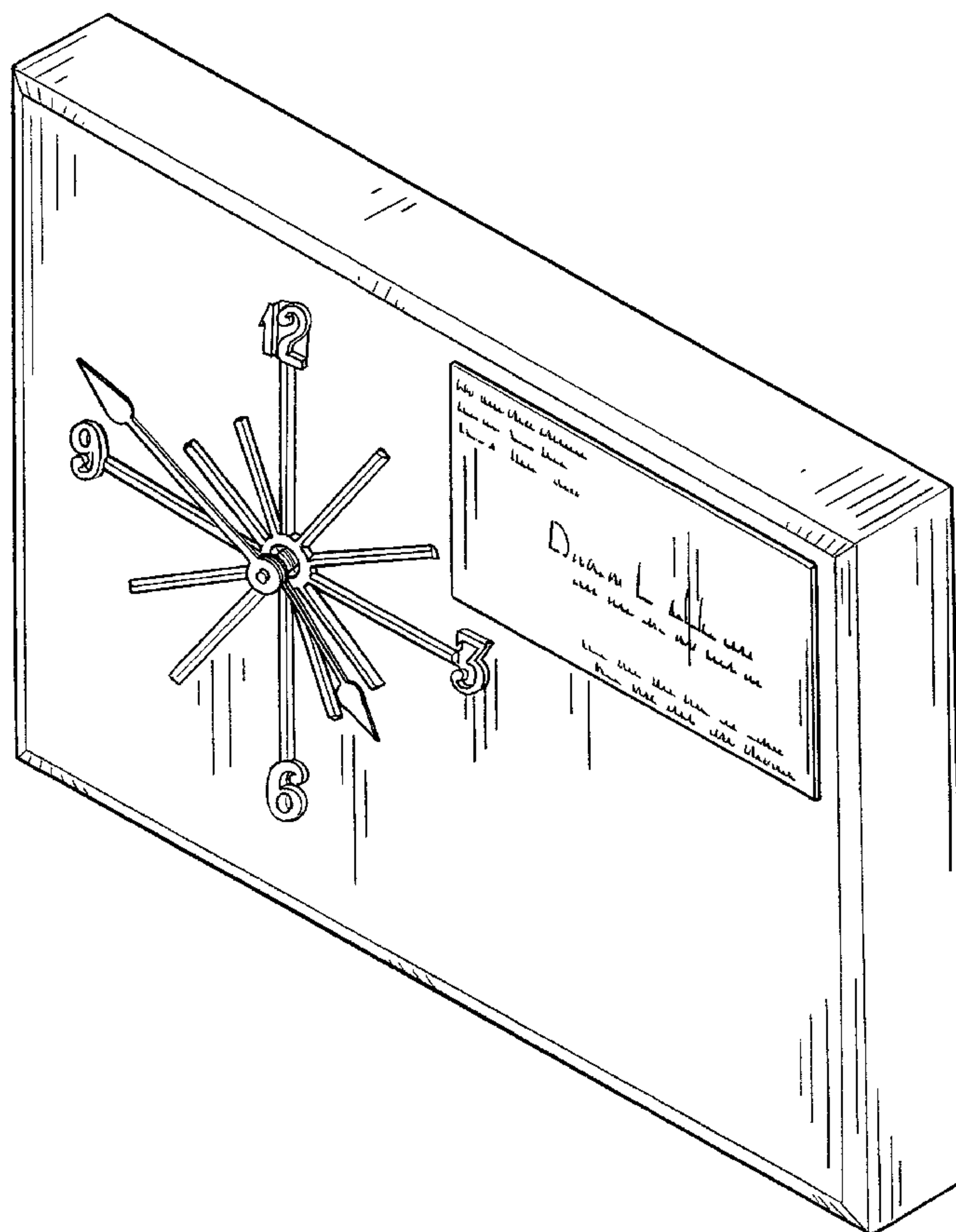
FIG. 3 is a front elevation thereof;

FIG. 4 is a right side elevation thereof;

FIG. 5 is a rear elevation view thereof; and,

FIG. 6 is a left side elevation thereof.

**1 Claim, 3 Drawing Sheets**



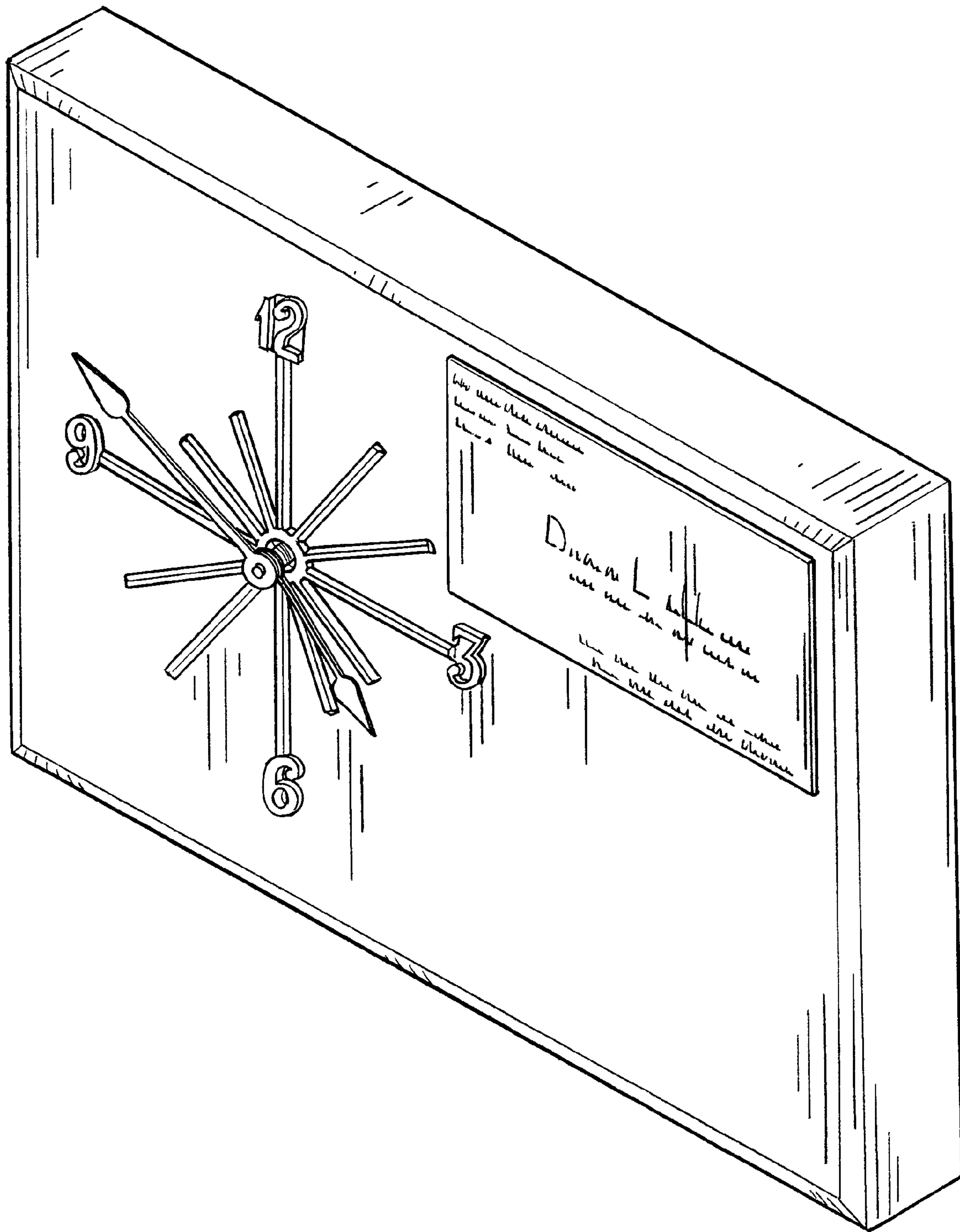


FIG. 1

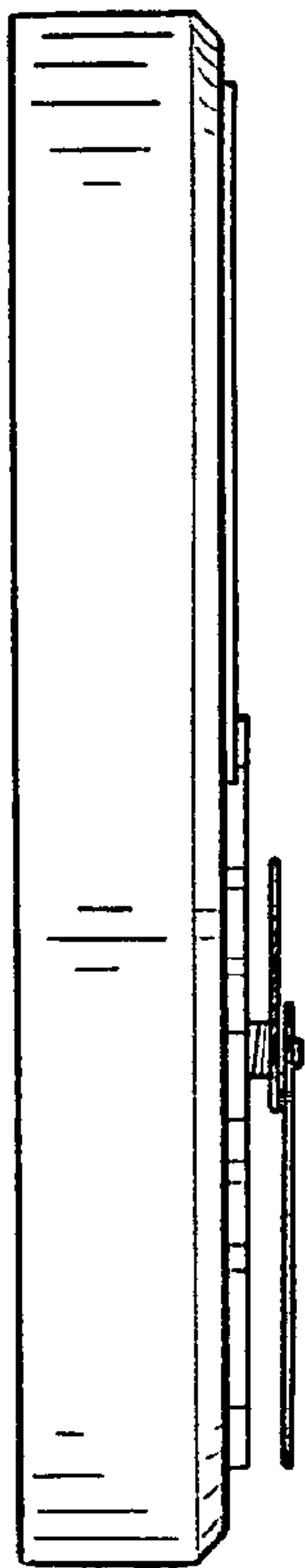


FIG. 2

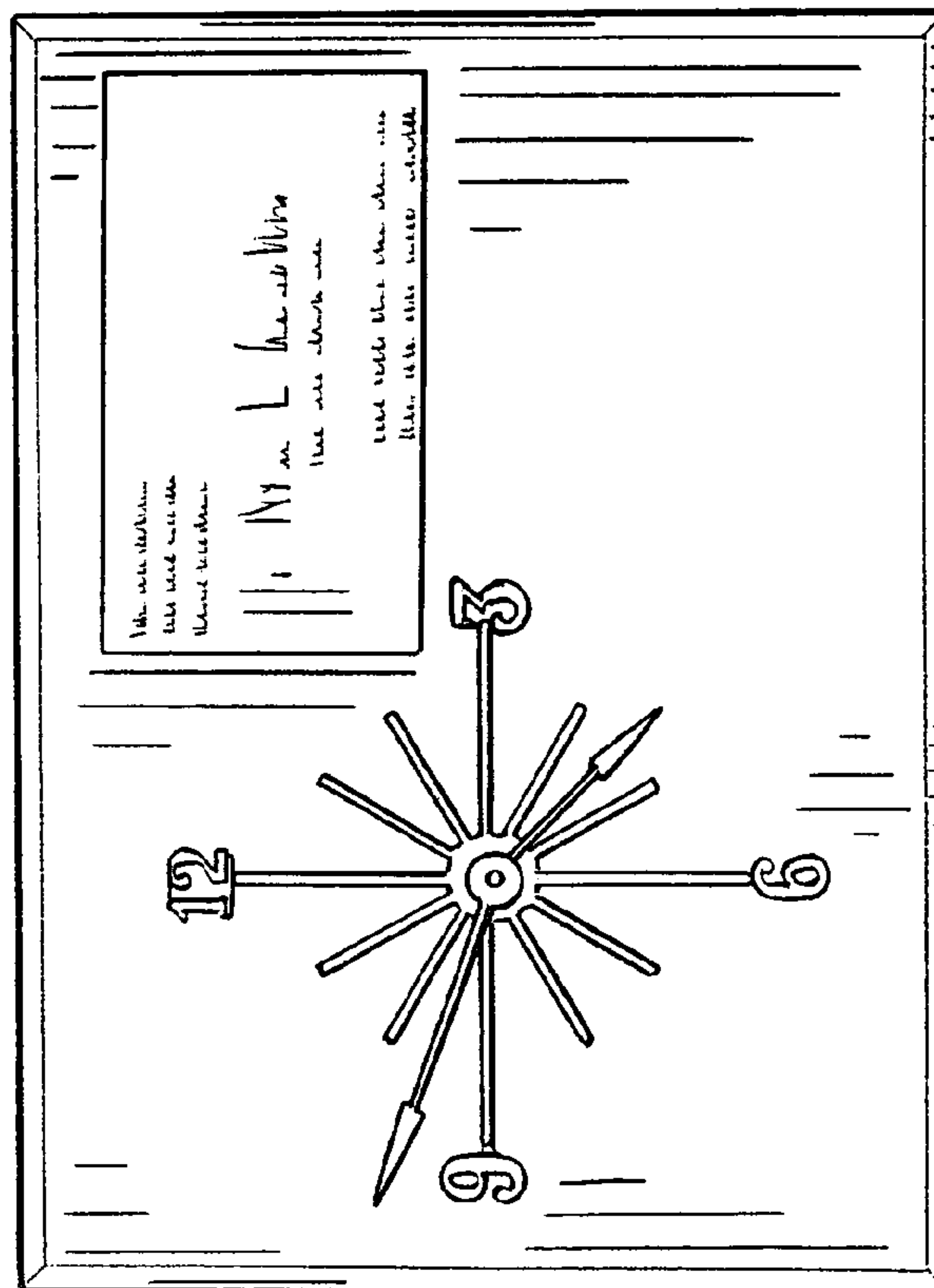


FIG. 3



FIG. 4

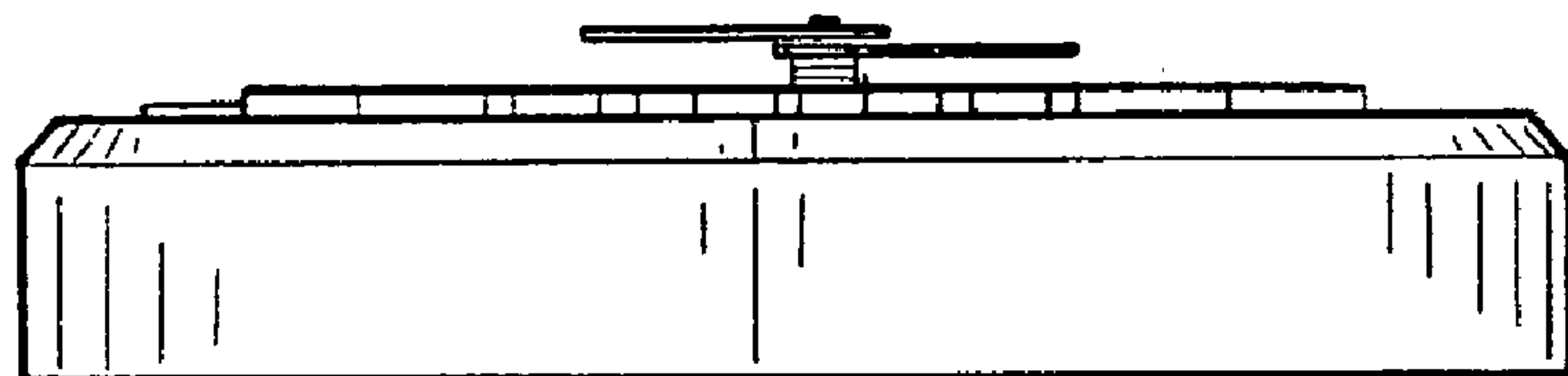


FIG. 6

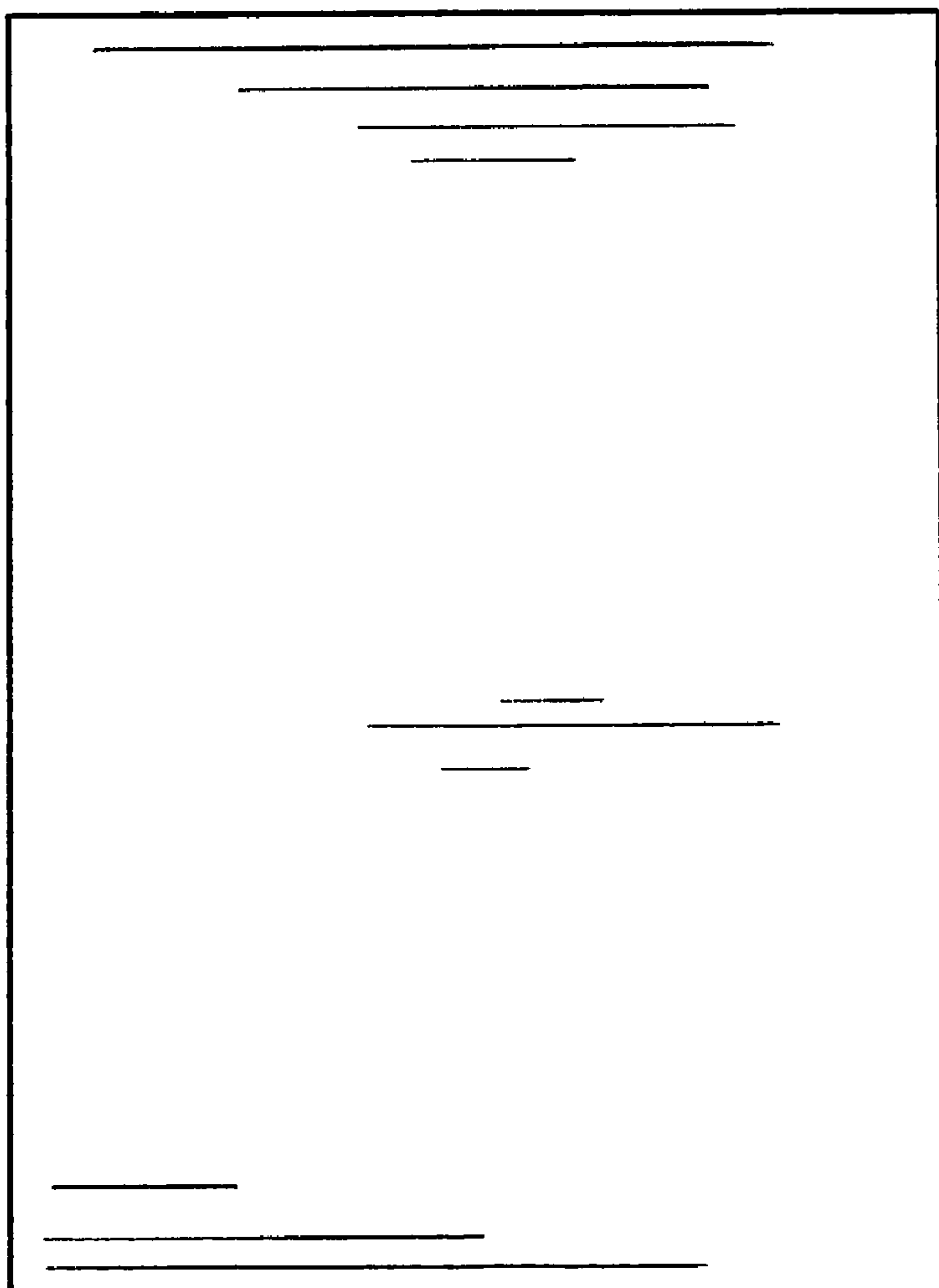


FIG. 5