

US00D577292S

(12) **United States Design Patent**
Moretti

(10) **Patent No.:** **US D577,292 S**
(45) **Date of Patent:** **** Sep. 23, 2008**

(54) **CONTAINER**

(75) Inventor: **Matteo Moretti**, Crema (IT)

(73) Assignee: **Lumson S.p.A.**, Capercinanica (Cremona) (IT)

(**) Term: **14 Years**

(21) Appl. No.: **29/297,065**

(22) Filed: **Nov. 2, 2007**

Related U.S. Application Data

(62) Division of application No. 29/249,385, filed on Oct. 4, 2006.

(30) **Foreign Application Priority Data**

Apr. 5, 2006 (EM) 000508445

(51) **LOC (8) Cl.** **09-01**

(52) **U.S. Cl.** **D9/560; D9/573; D9/574**

(58) **Field of Classification Search** D9/516,
D9/529, 560, 564-565, 571-575, 682, 686-687,
D9/690, 691-694; D28/76, 78, 91, 91.1;
215/379-383; 220/660-662, 669, 675
See application file for complete search history.

(56) **References Cited**

U.S. PATENT DOCUMENTS

D31,235 S * 7/1899 Low D9/560
D96,030 S * 6/1935 Gage et al. D9/560

D171,516 S * 2/1954 Otto D9/560
D540,688 S * 4/2007 Lascaux D9/560
D563,795 S * 3/2008 Canamasas Puigbo D9/573
2005/0011895 A1 * 1/2005 Lin 220/300

* cited by examiner

Primary Examiner—Ian Simmons

Assistant Examiner—Dana L Sipos

(74) *Attorney, Agent, or Firm*—WolfBlock LLP

(57) **CLAIM**

I claim the ornamental design for a container, as shown and described.

DESCRIPTION

FIG. 1 is a top perspective view of the container of FIG. 6 with the cap removed;

FIG. 2 is a top plan view thereof;

FIG. 3 is a front elevation view thereof;

FIG. 4 is a side elevation view thereof;

FIG. 5 is a bottom plan view thereof;

FIG. 6 is a top perspective view of a container showing my new design;

FIG. 7 is a top plan view thereof;

FIG. 8 is a front elevation view thereof;

FIG. 9 is a side elevation view thereof; and,

FIG. 10 is a bottom plan view thereof.

1 Claim, 2 Drawing Sheets

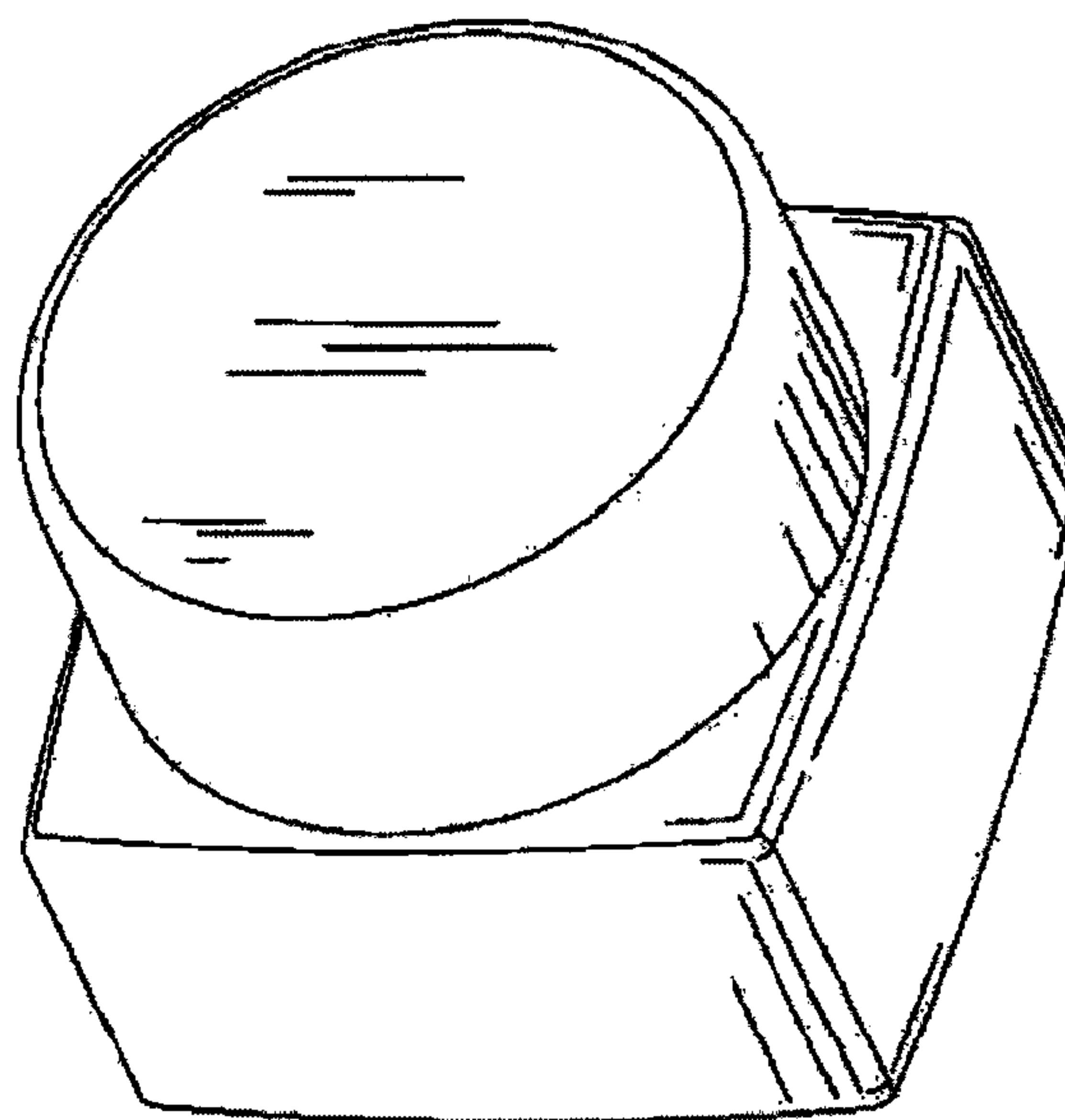
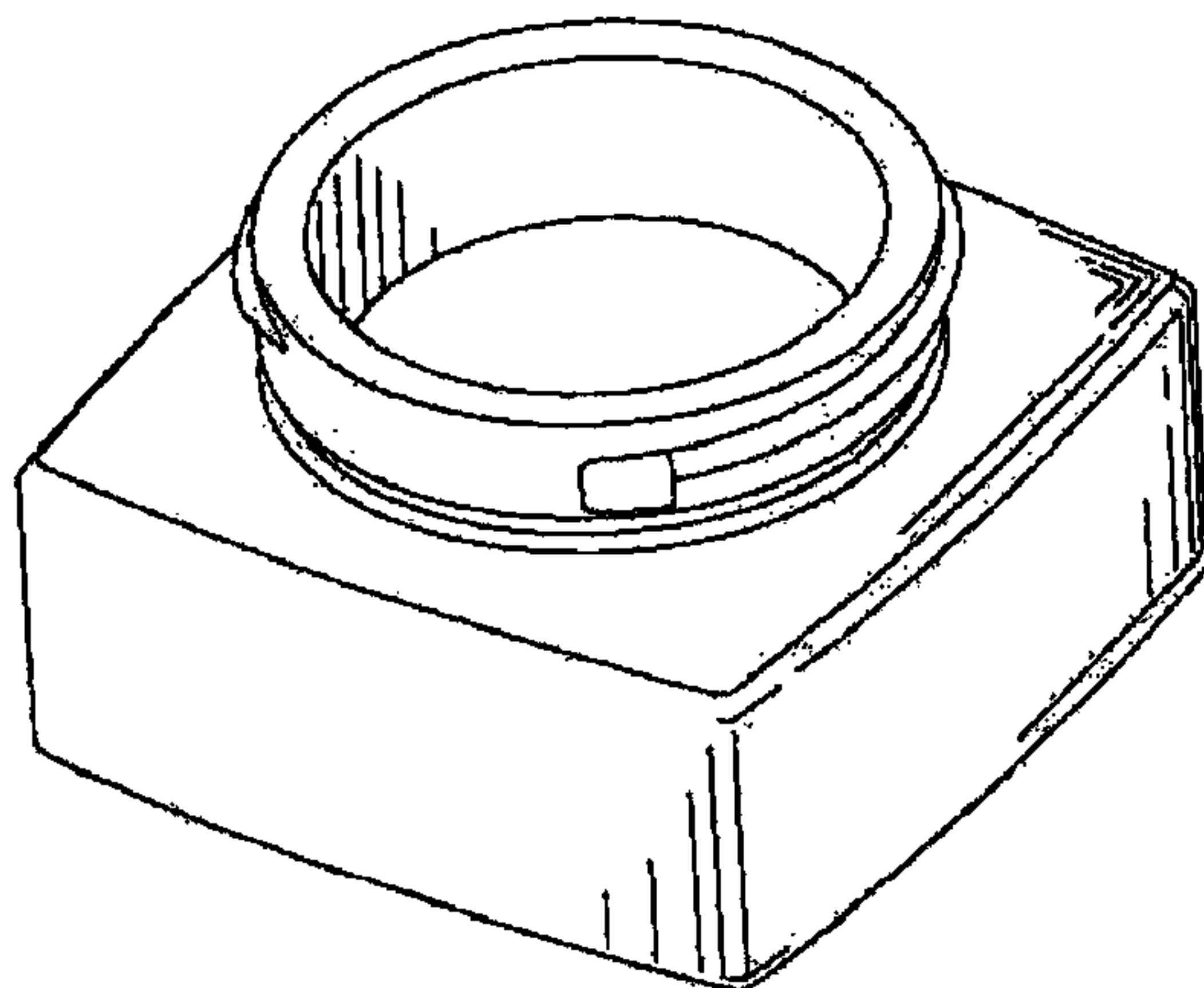


FIGURE 1

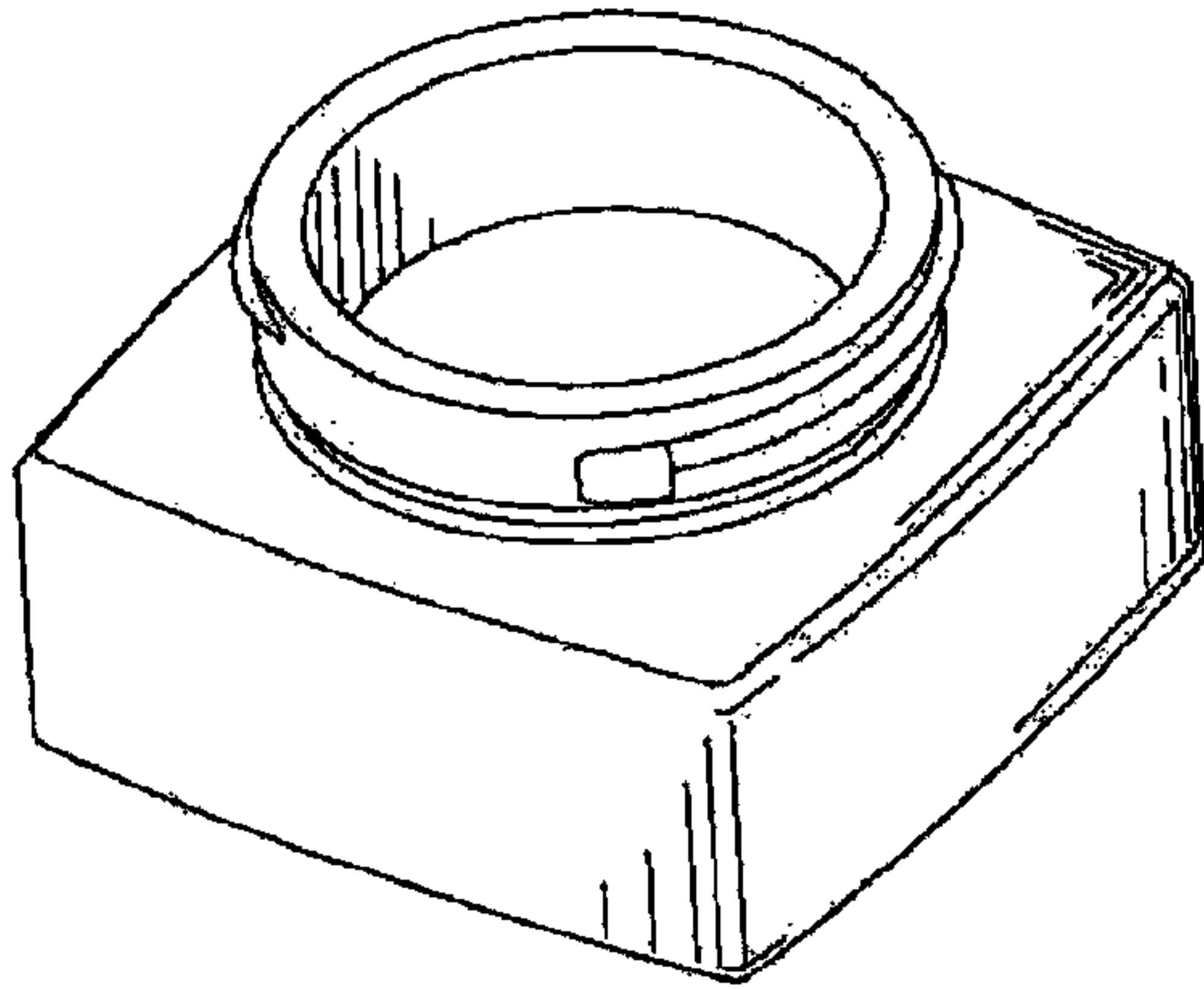


FIGURE 2

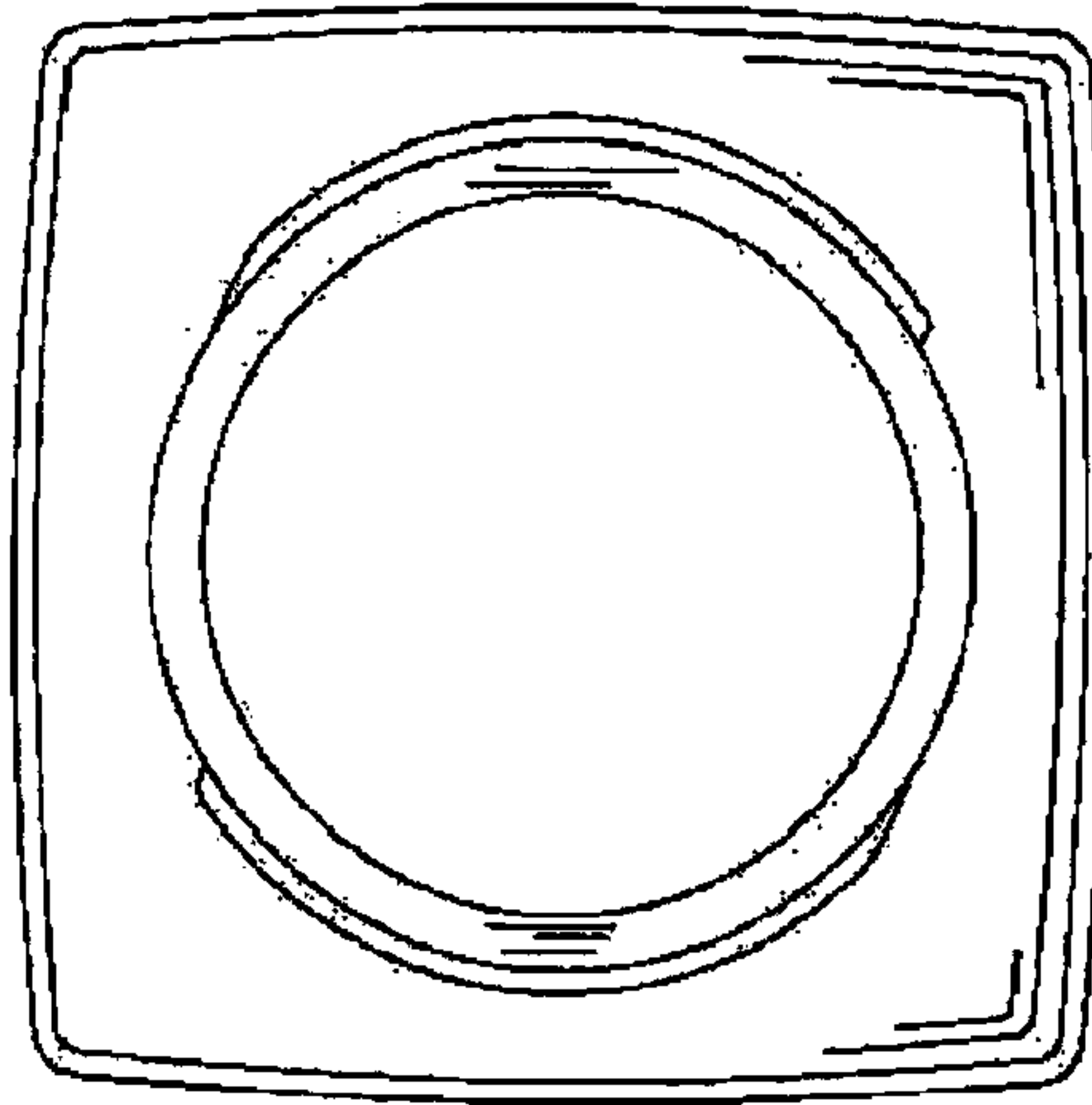


FIGURE 3

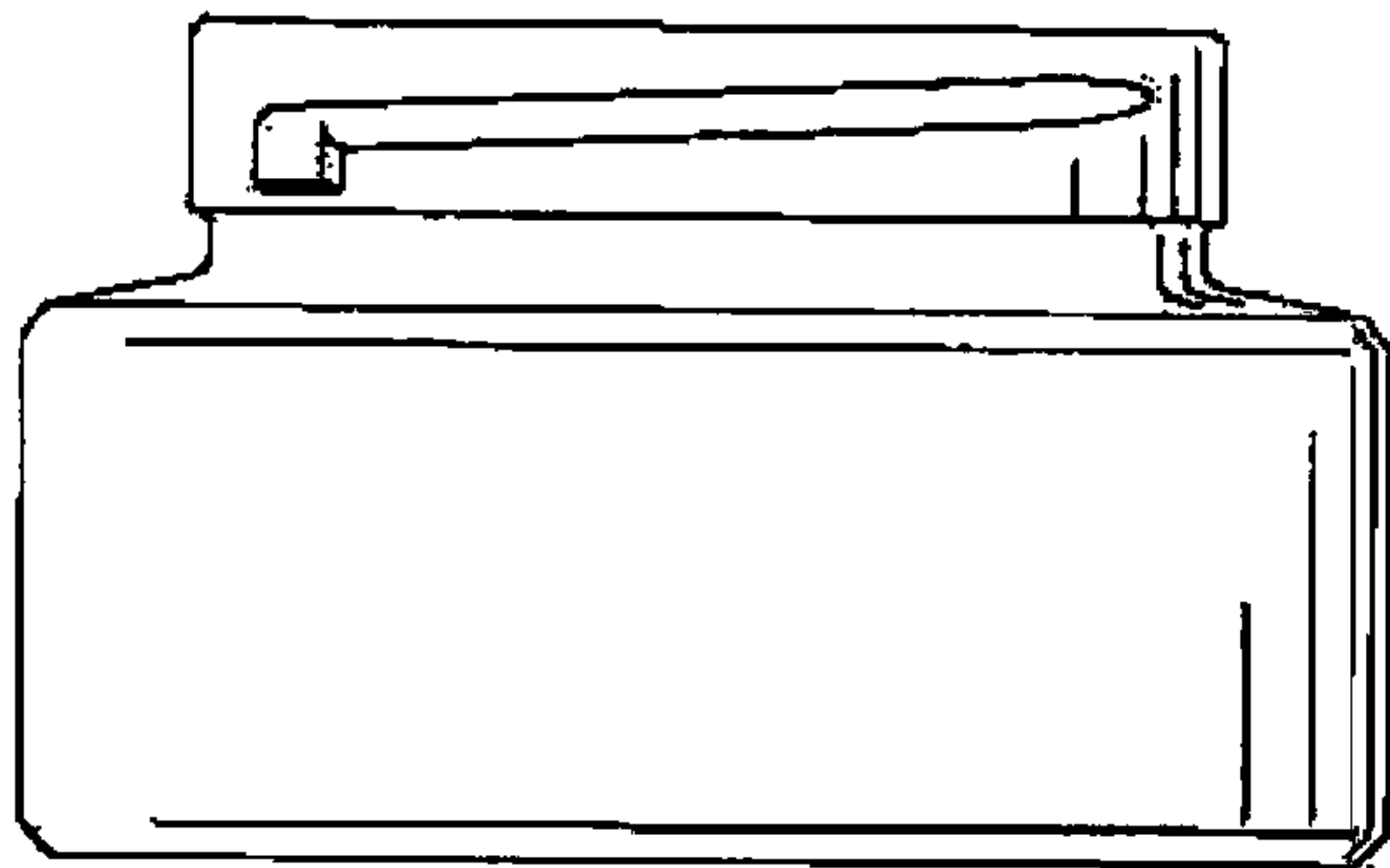


FIGURE 4

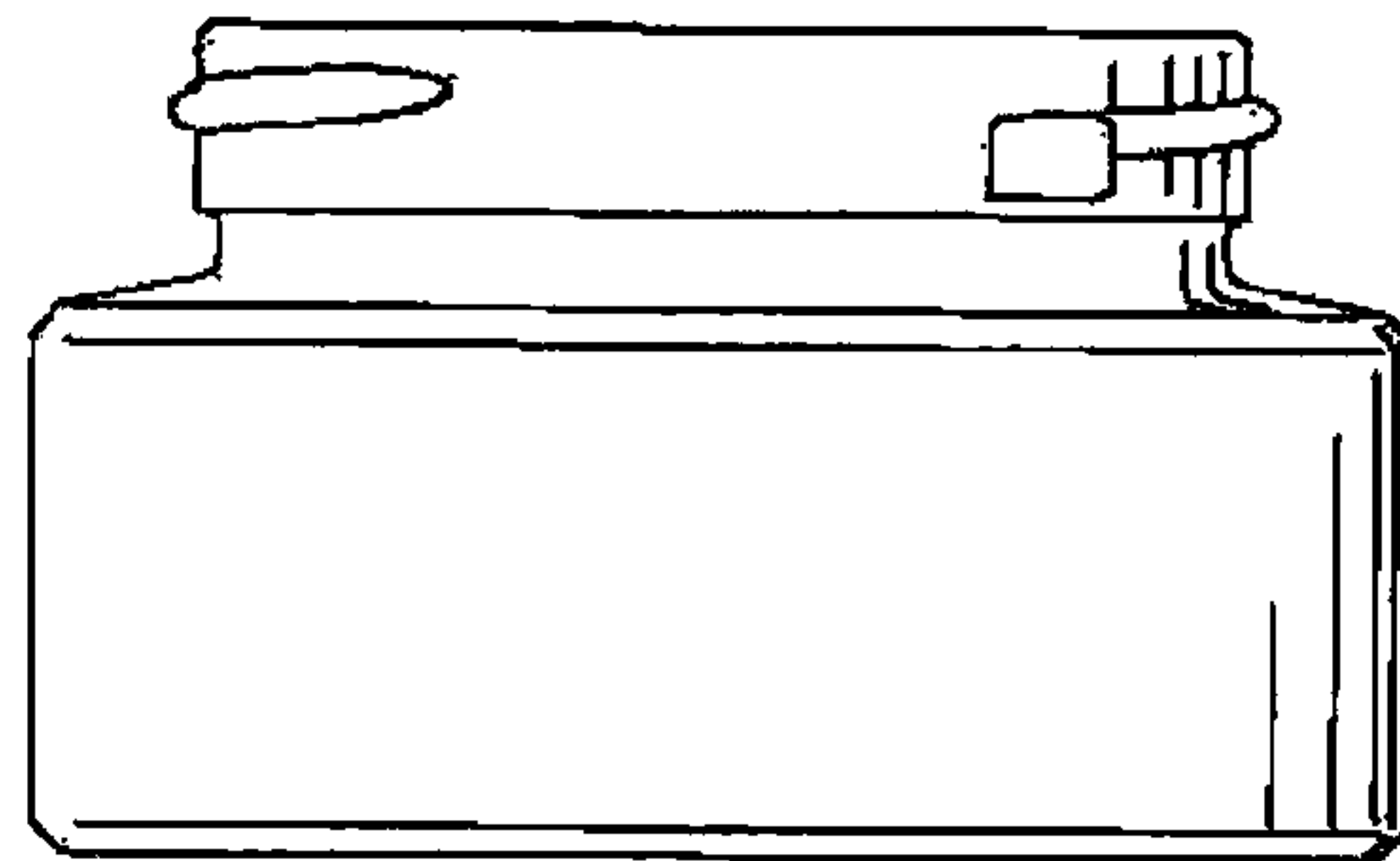


FIGURE 5

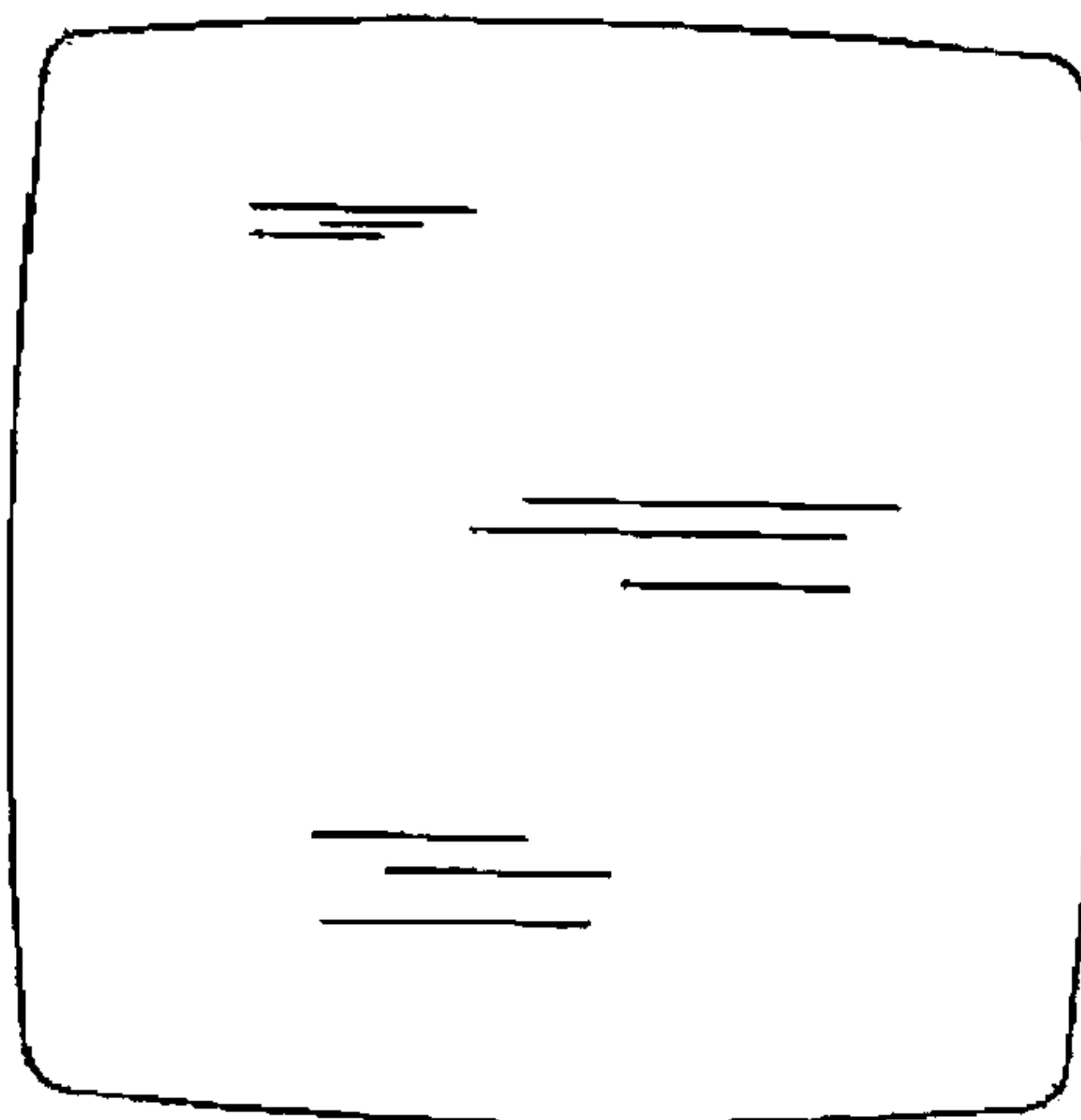


FIGURE 6

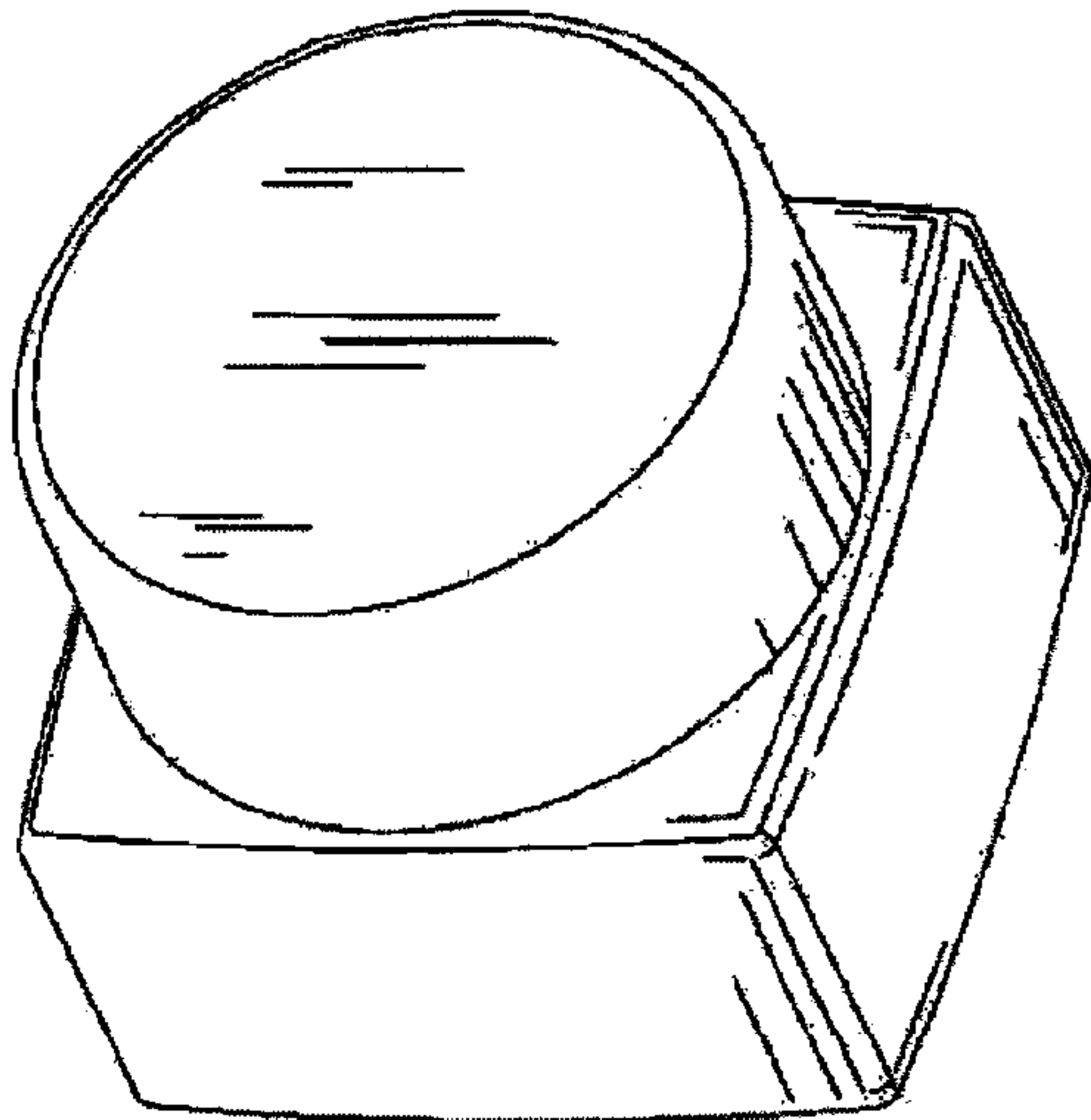


FIGURE 7

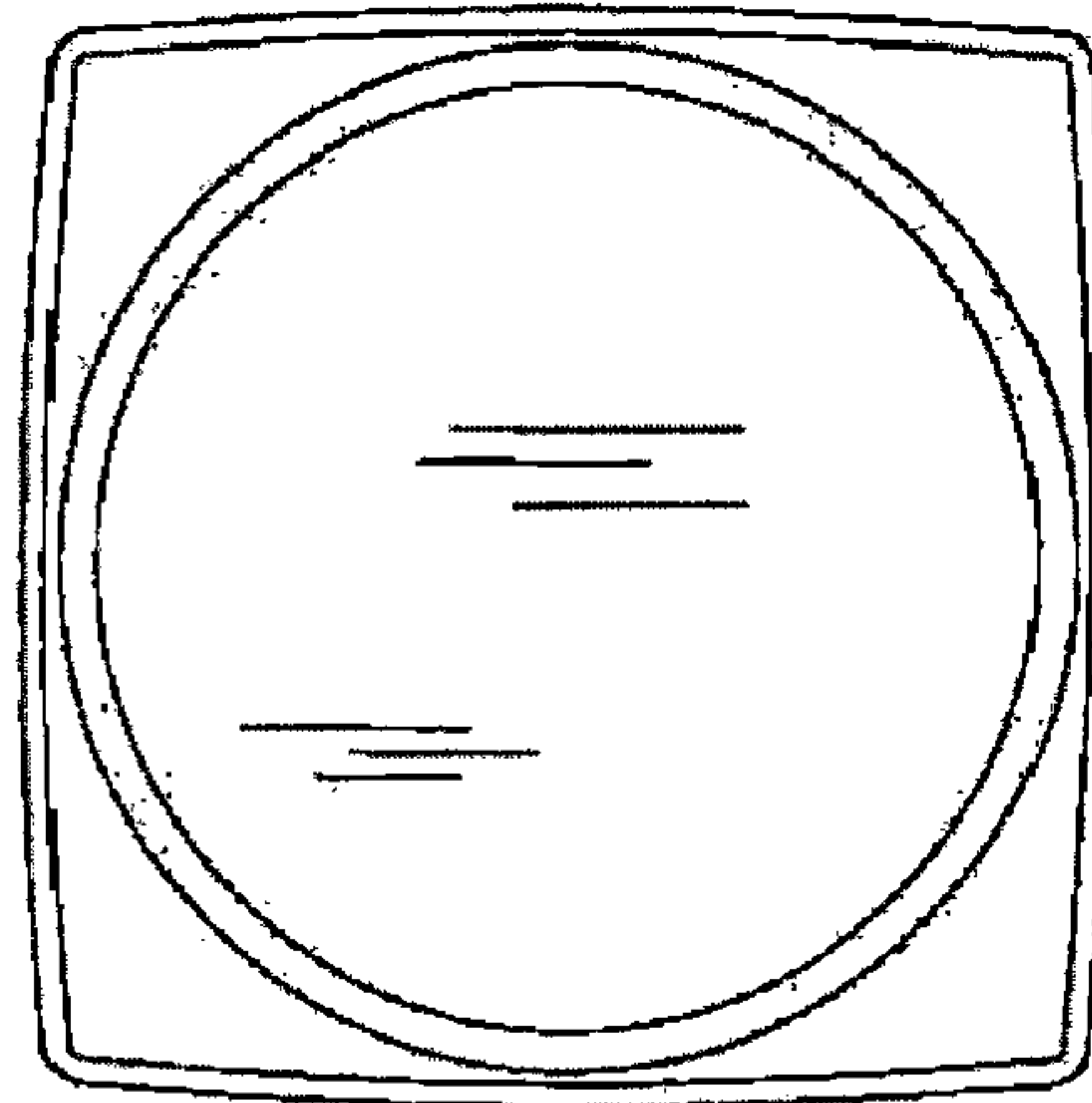


FIGURE 8

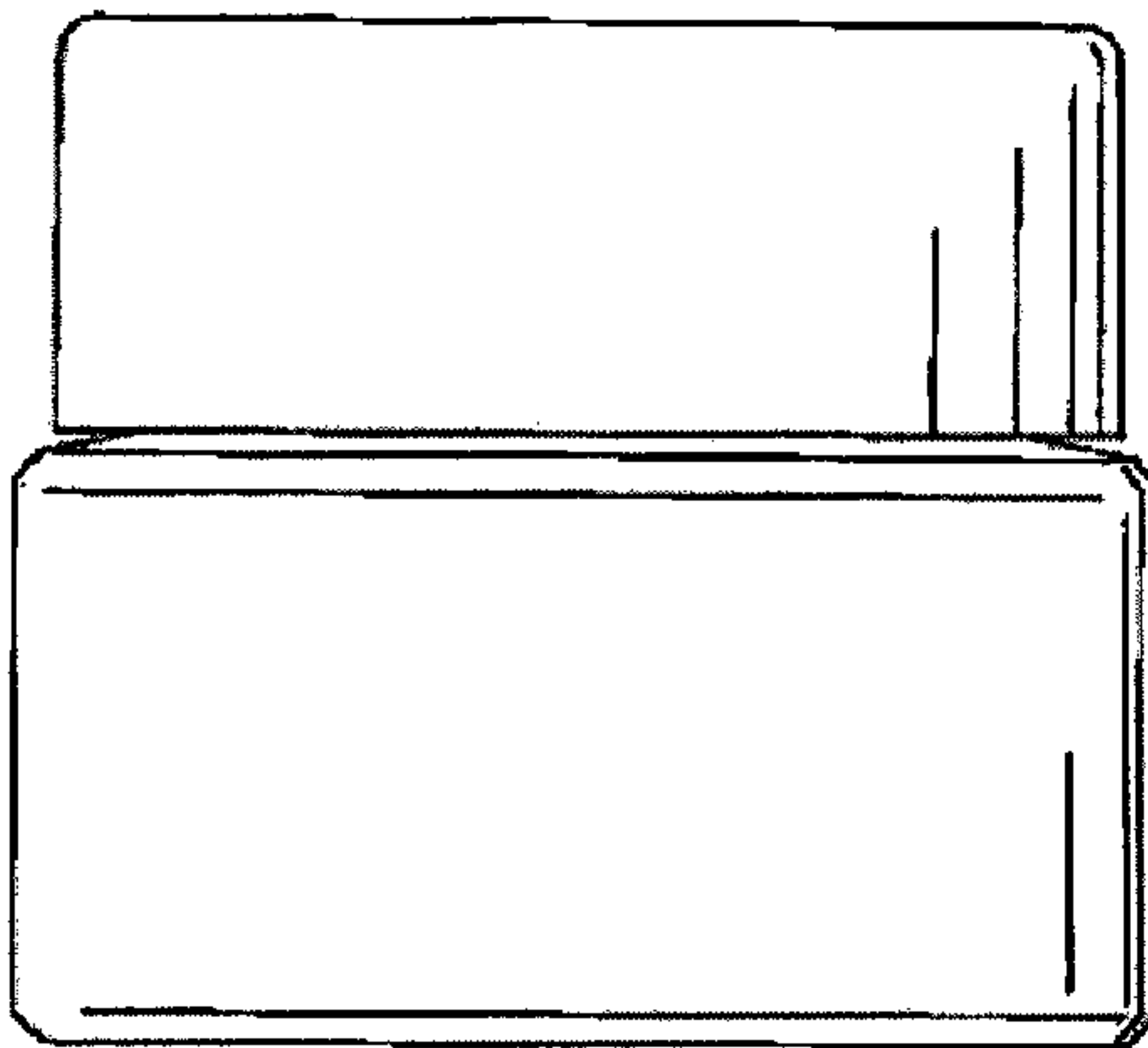


FIGURE 9

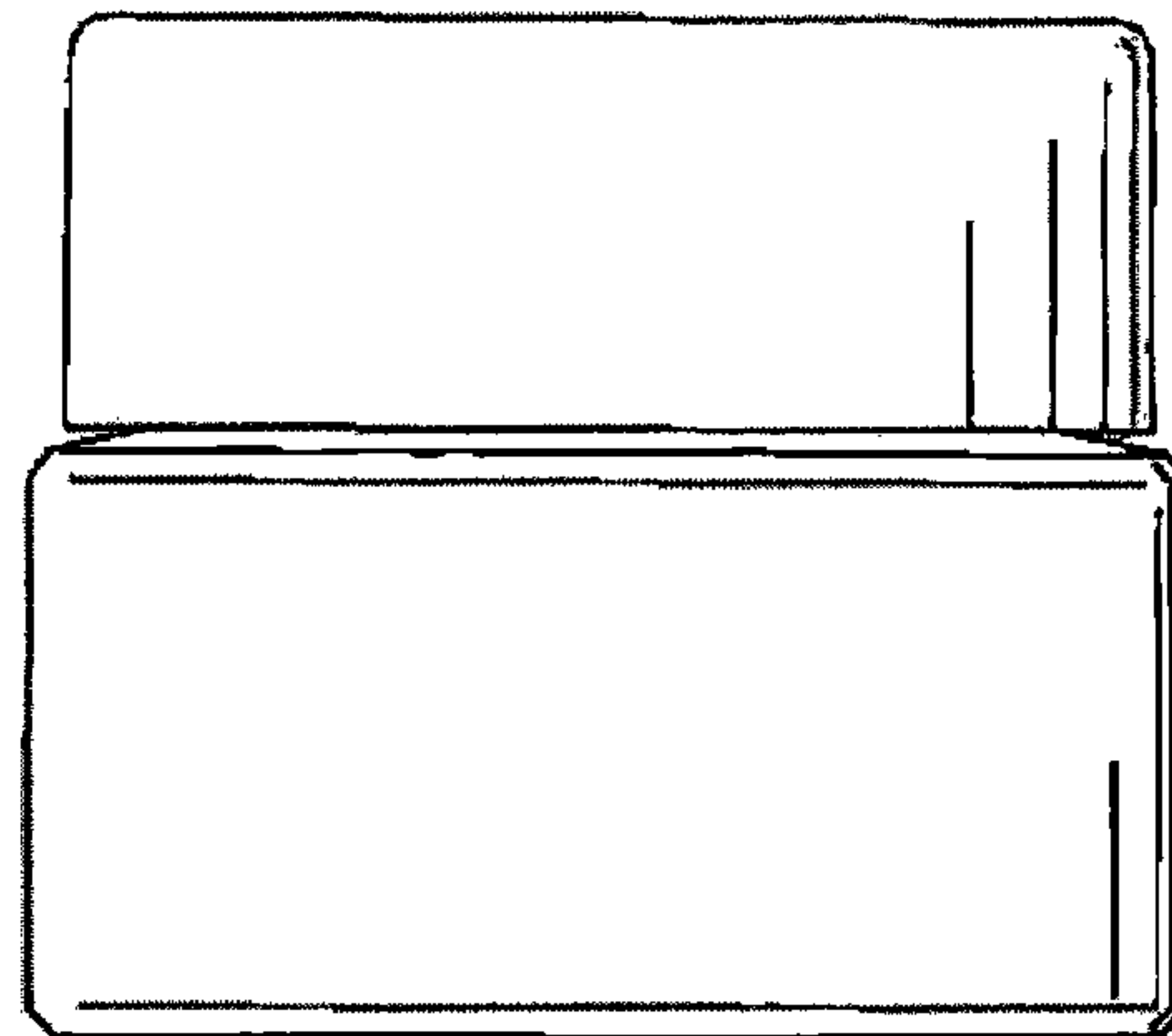


FIGURE 10

