



US00D577290S

(12) **United States Design Patent**
Moretti

(10) **Patent No.:** **US D577,290 S**
(45) **Date of Patent:** **** Sep. 23, 2008**

(54) **CONTAINER**

(75) Inventor: **Matteo Moretti**, Crema (IT)

(73) Assignee: **Lumson S.p.A.**, Capergnanica
(Cremona) (IT)

(**) Term: **14 Years**

(21) Appl. No.: **29/297,062**

(22) Filed: **Nov. 2, 2007**

Related U.S. Application Data

(62) Division of application No. 29/249,406, filed on Oct. 5, 2006, now Pat. No. Des. 569,727.

(30) **Foreign Application Priority Data**

Apr. 5, 2006 (EM) 000508445

(51) **LOC (8) Cl.** **09-01**

(52) **U.S. Cl.** **D9/504; D9/500**

(58) **Field of Classification Search** D9/516,
D9/529, 560, 564-565, 571-575, 682, 686-687,
D9/690, 691-694; D28/76, 78, 91, 91.1;
215/379-383; 220/660-662, 669, 675
See application file for complete search history.

(56) **References Cited**

U.S. PATENT DOCUMENTS

D28,413 S * 3/1898 Taite D9/504
D98,055 S * 1/1936 Conner D9/502
D523,752 S * 6/2006 Bried et al. D9/504

D530,208 S * 10/2006 Danne et al. D9/504
D531,036 S * 10/2006 Bried et al. D9/504

FOREIGN PATENT DOCUMENTS

WO DM/046929 * 11/1998
WO DM/062500 * 12/2002

* cited by examiner

Primary Examiner—Ian Simmons

Assistant Examiner—Dana L Sipos

(74) *Attorney, Agent, or Firm*—WolfBlock LLP

(57) **CLAIM**

I claim the ornamental design for a container, as shown and described.

DESCRIPTION

FIG. 1 is a top perspective view of the container of FIG. 6 with the cap removed;

FIG. 2 is a top plan view thereof;

FIG. 3 is a front elevation view thereof;

FIG. 4 is a side elevation view thereof;

FIG. 5 is a bottom plan view thereof;

FIG. 6 is a top perspective view of a container showing my new design;

FIG. 7 is a top plan view thereof;

FIG. 8 is a front elevation view thereof;

FIG. 9 is a side elevation view thereof; and,

FIG. 10 is a bottom plan view thereof.

1 Claim, 2 Drawing Sheets

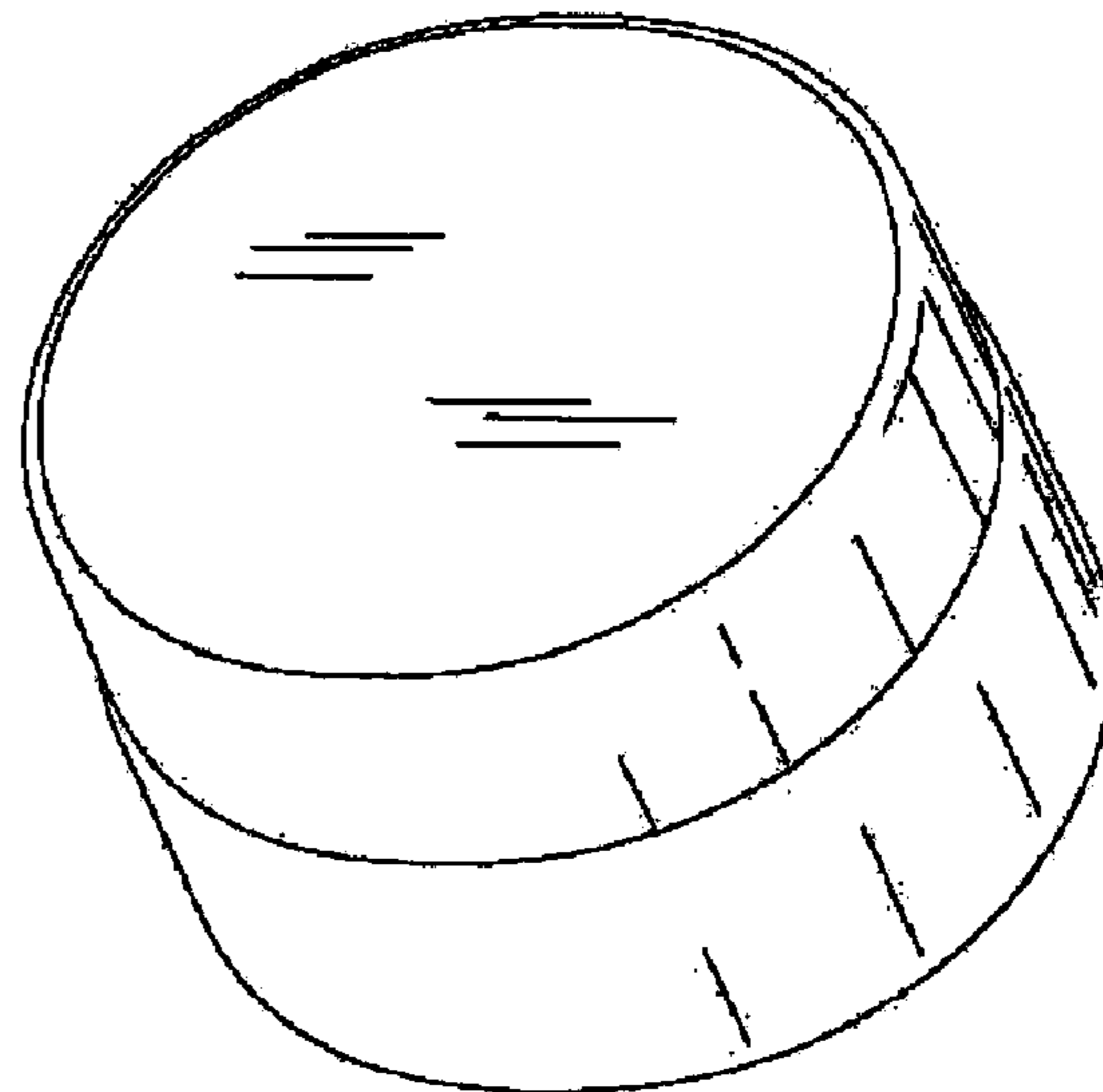
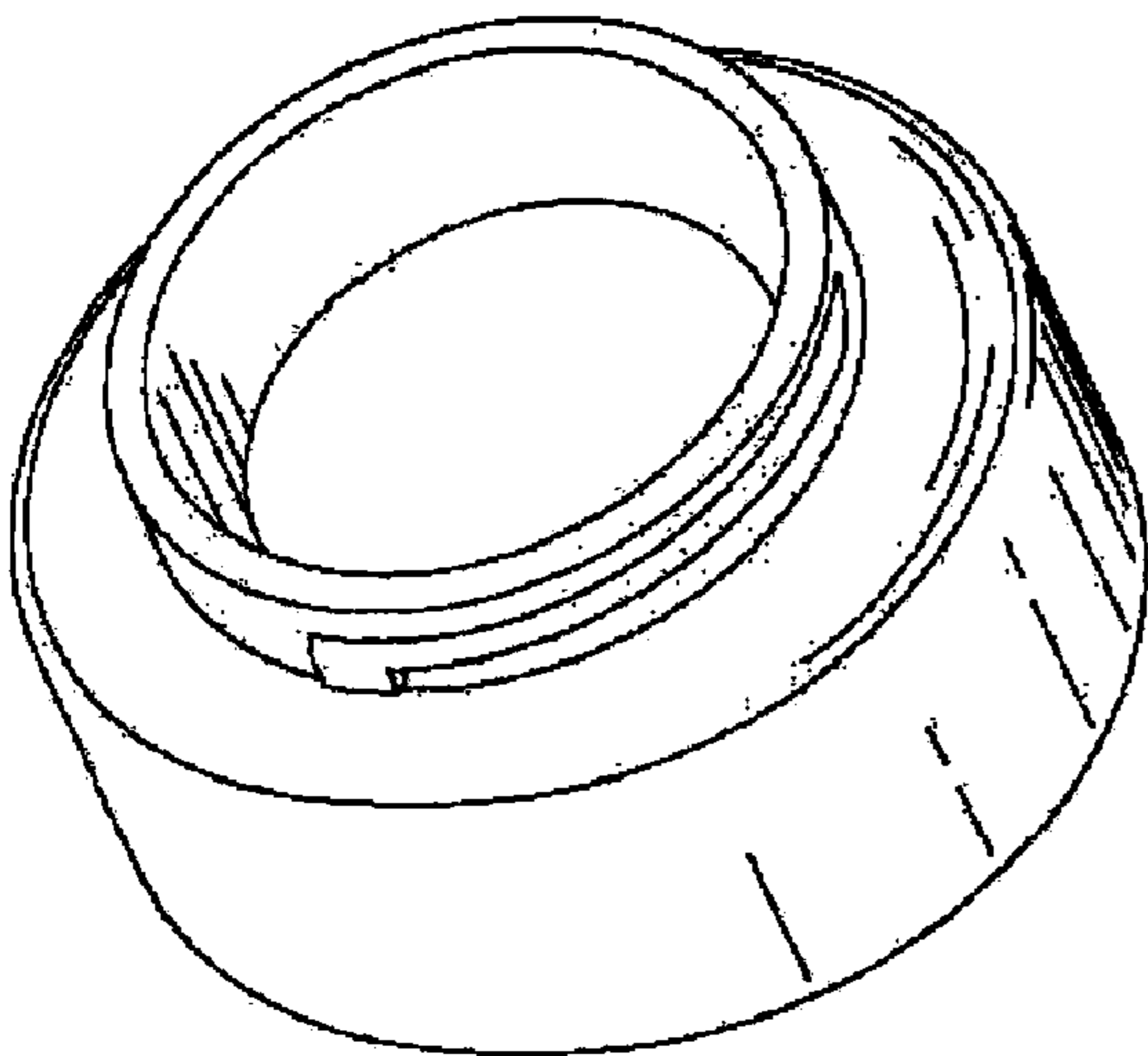


FIGURE 1

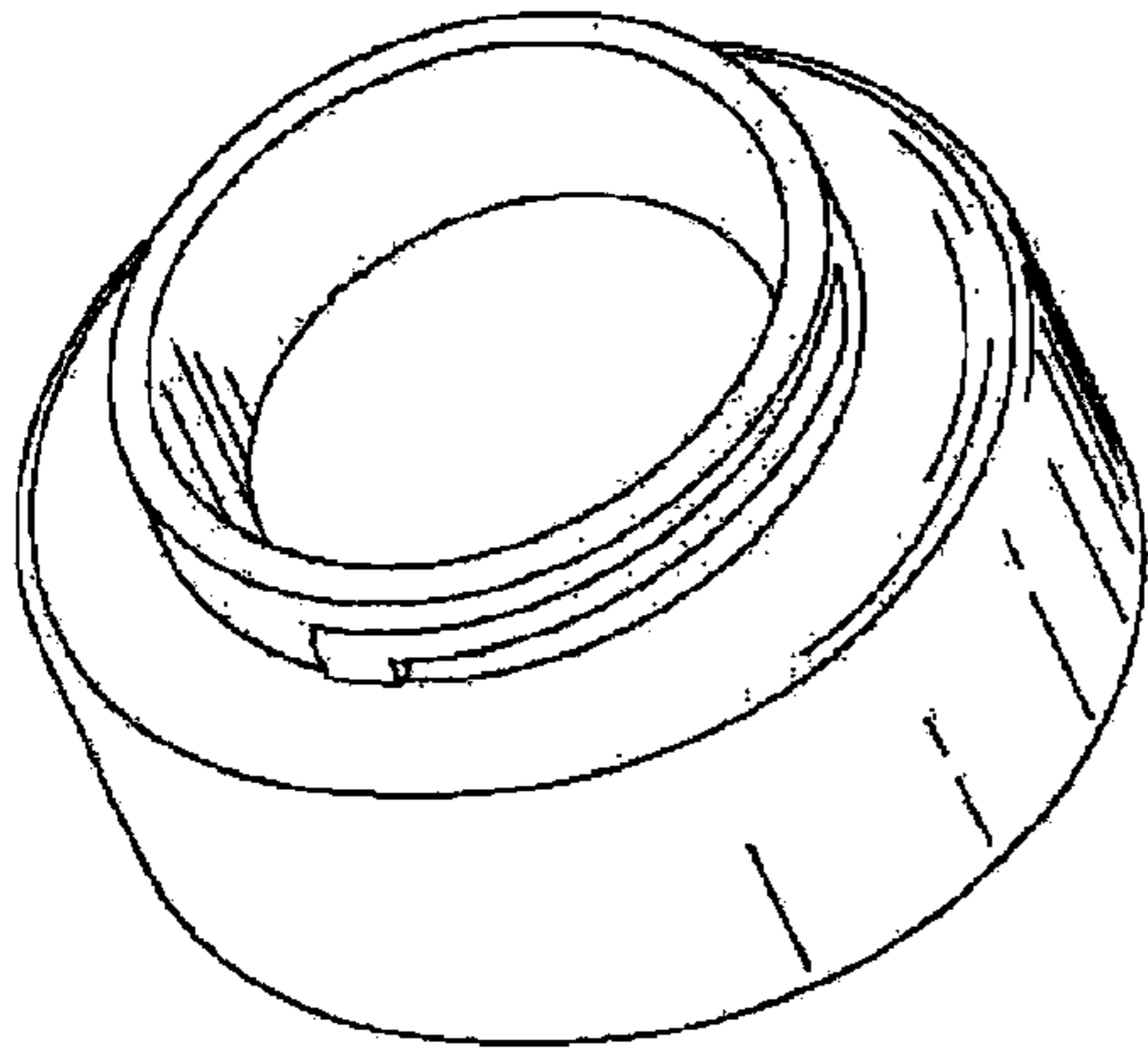


FIGURE 2

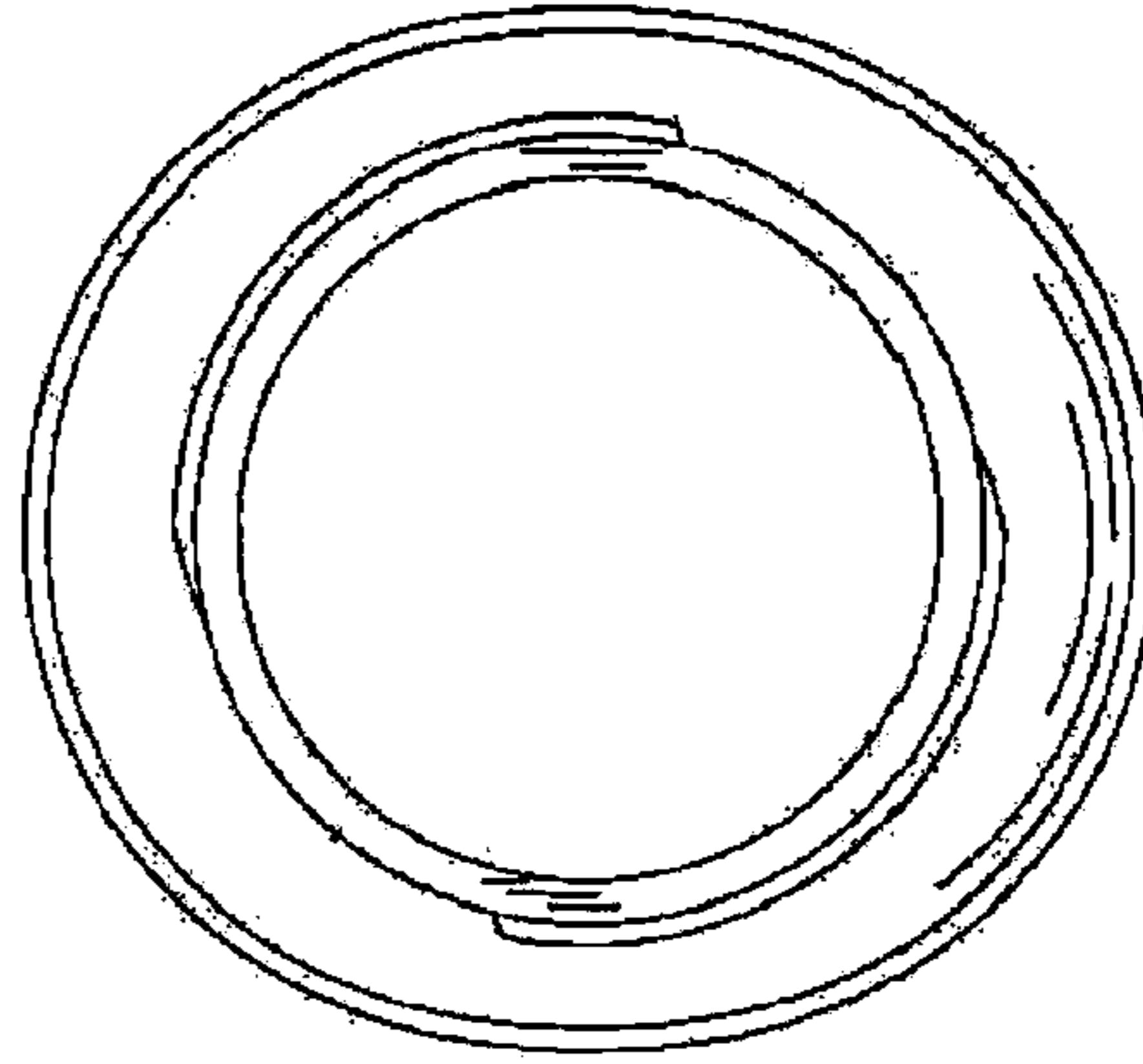


FIGURE 3

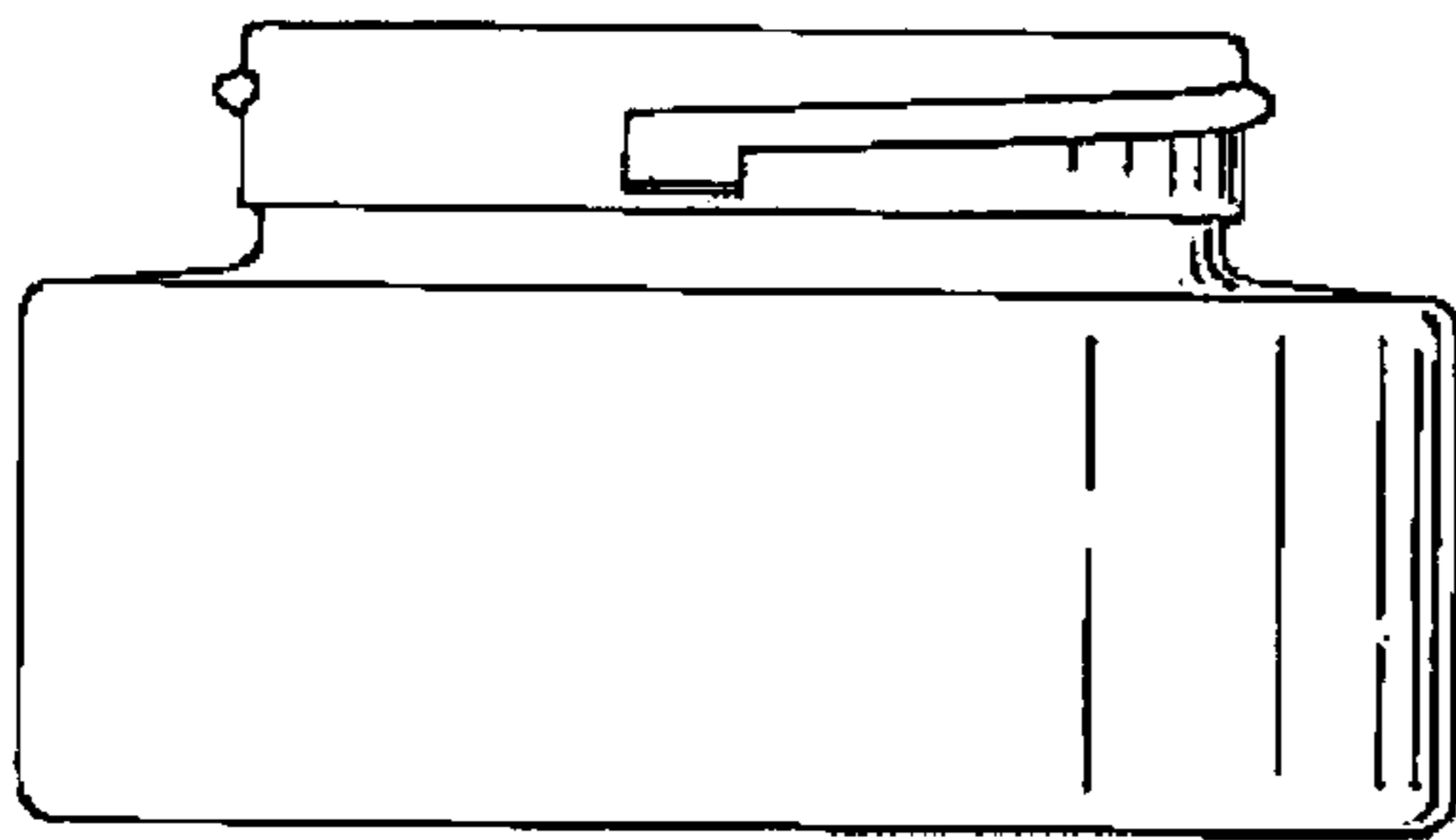


FIGURE 4

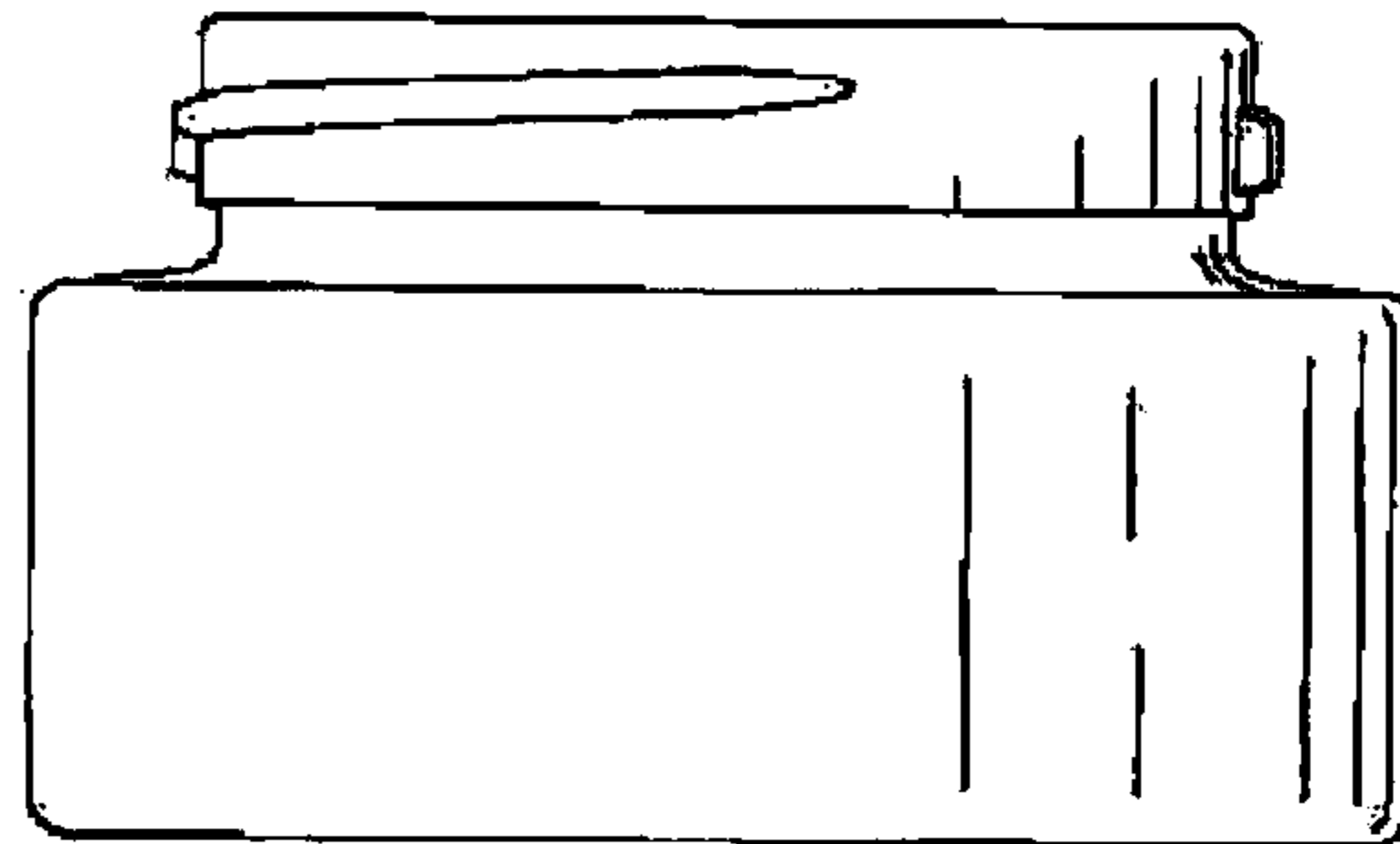


FIGURE 5

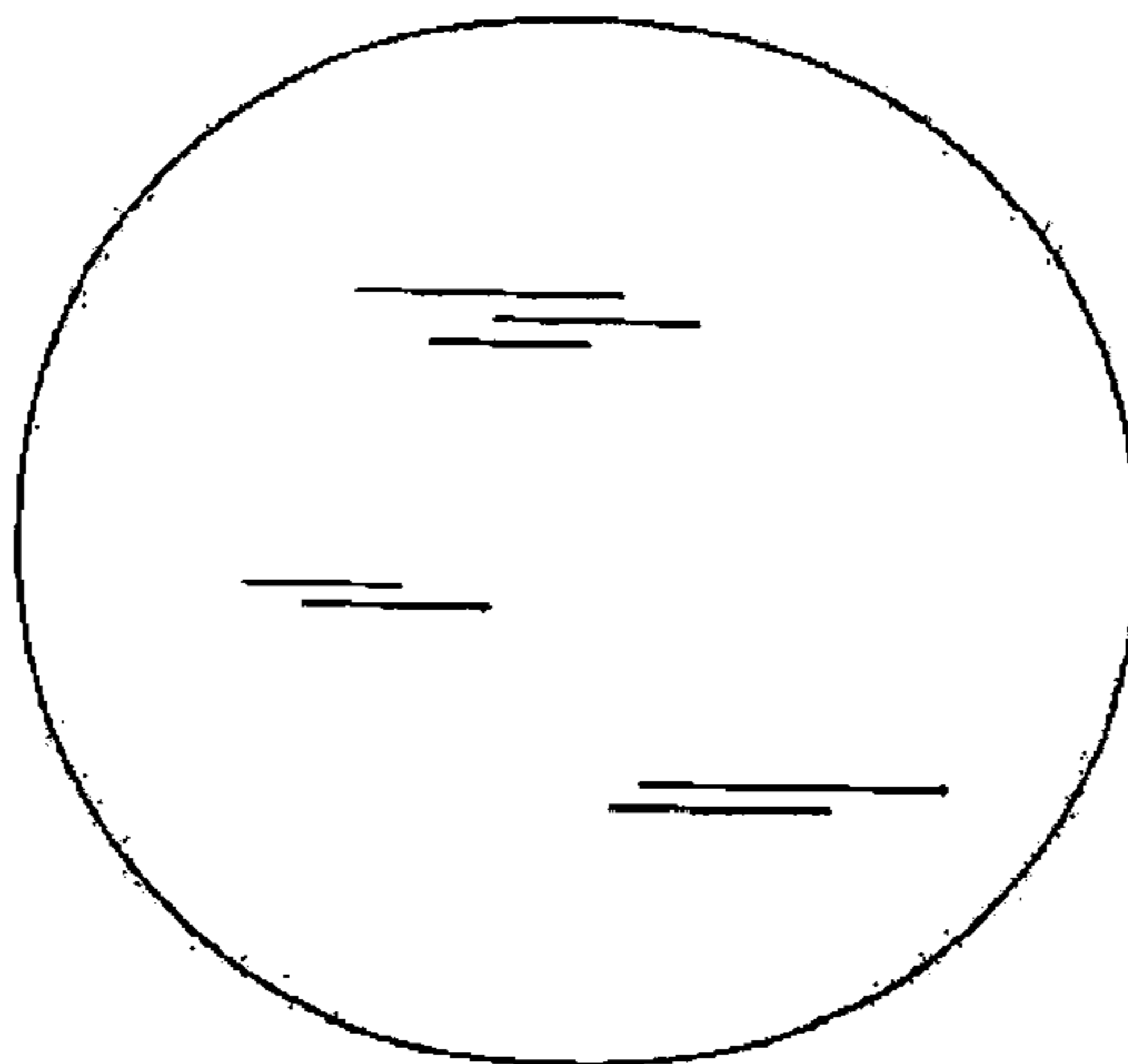


FIGURE 6

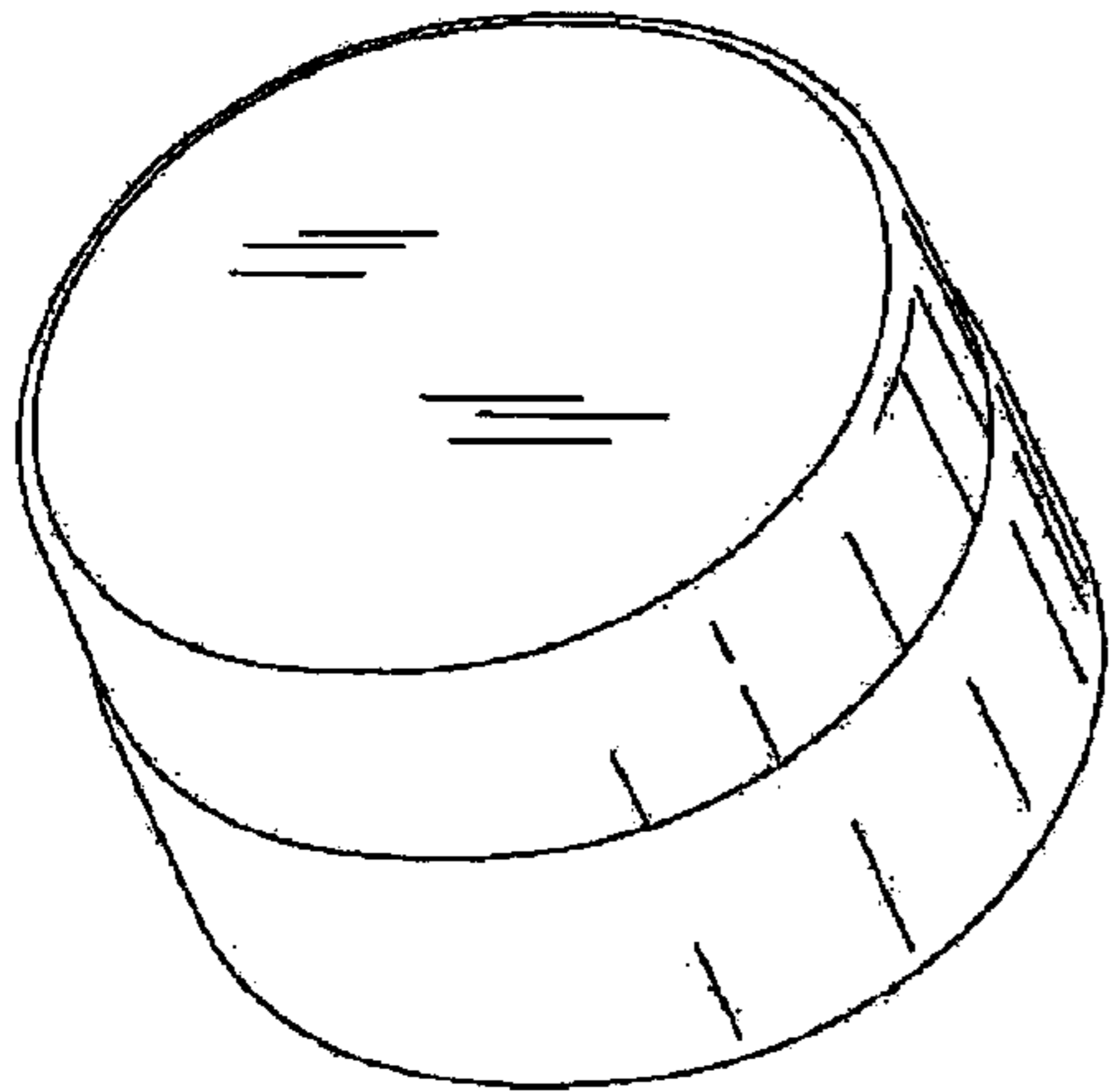


FIGURE 7

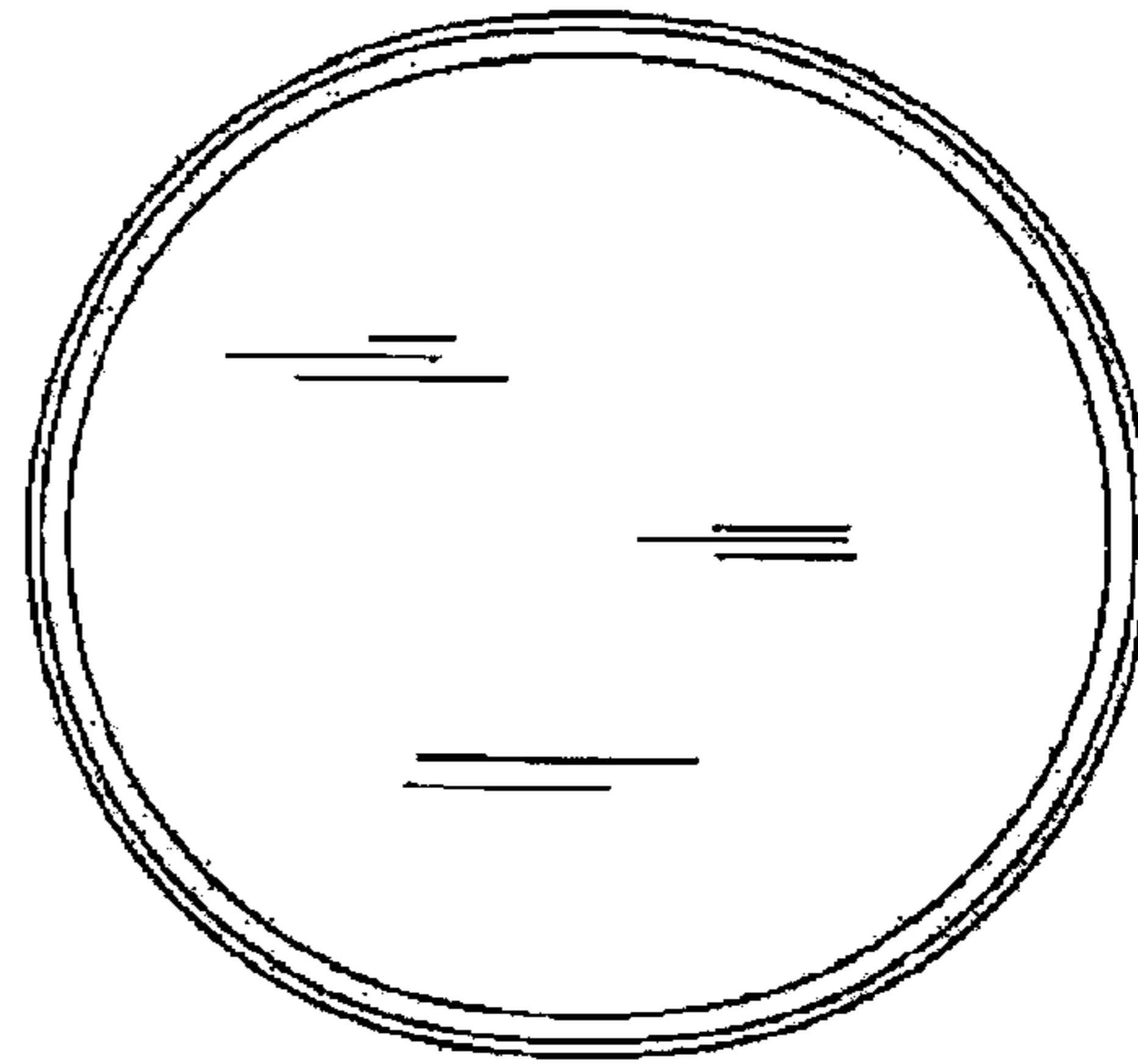


FIGURE 8

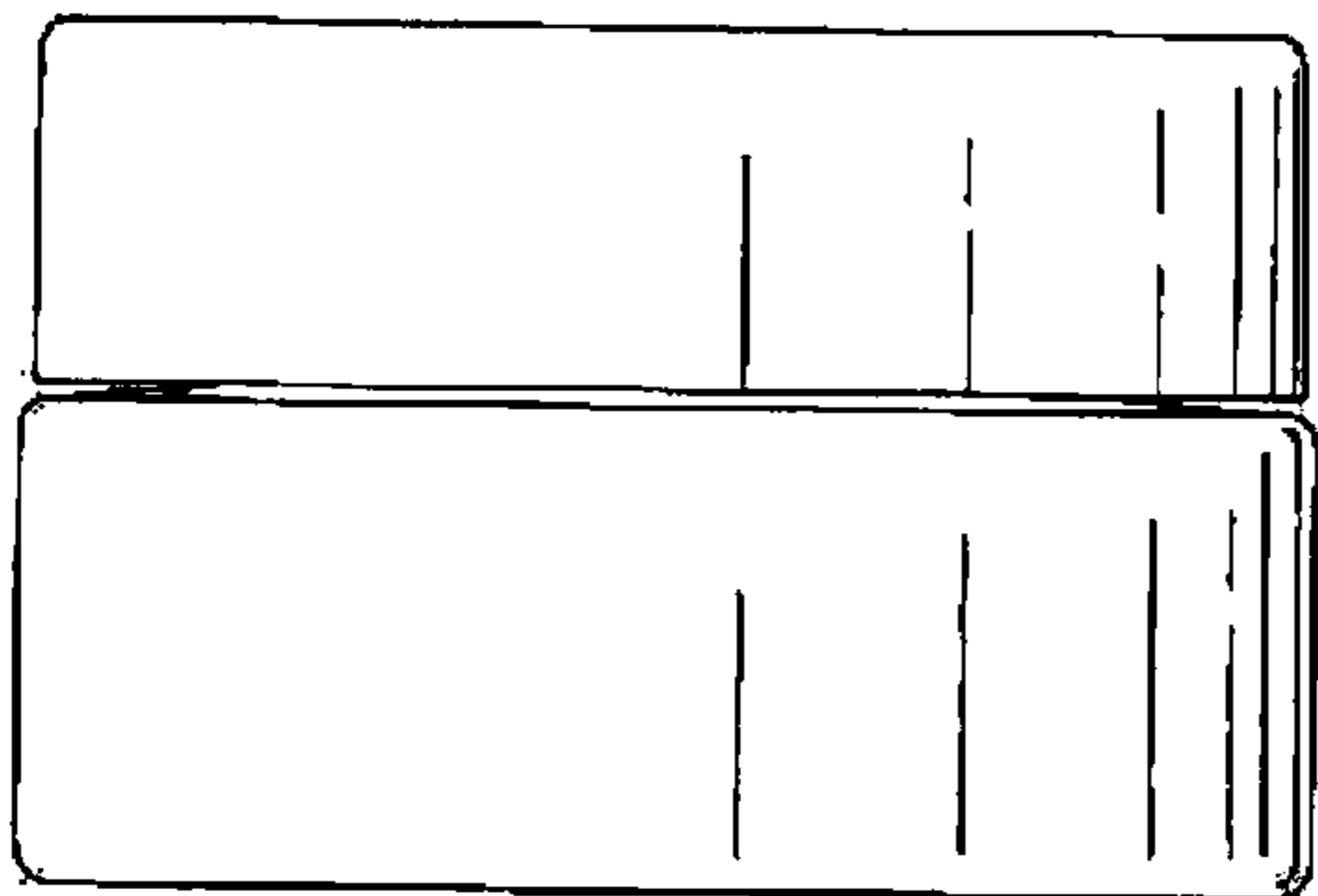


FIGURE 9

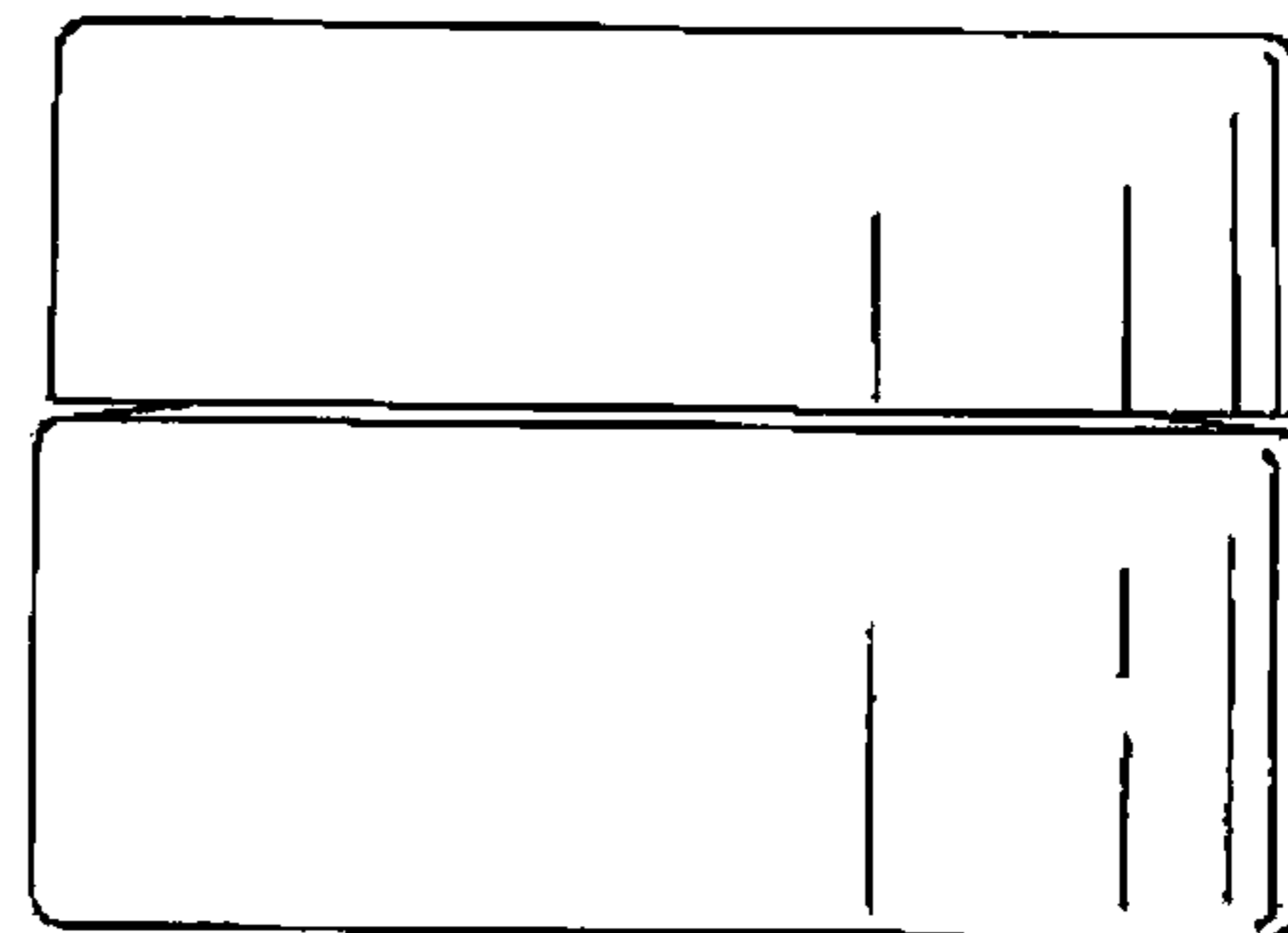


FIGURE 10

