



US00D577289S

(12) **United States Design Patent**
Moretti

(10) **Patent No.:** **US D577,289 S**
(45) **Date of Patent:** **** Sep. 23, 2008**

(54) **CONTAINER**

(75) Inventor: **Matteo Moretti**, Crema (IT)

(73) Assignee: **Lumson S.p.A.**, Capergnanica
(Cremona) (IT)

(**) Term: **14 Years**

(21) Appl. No.: **29/297,063**

(22) Filed: **Nov. 2, 2007**

Related U.S. Application Data

(62) Division of application No. 29/249,405, filed on Oct. 5, 2006, now Pat. No. Des. 569,254.

Foreign Application Priority Data

(30) Apr. 5, 2006 (EM) 000508445

(51) **LOC (8) Cl.** **09-01**

(52) **U.S. Cl.** **D9/500**

(58) **Field of Classification Search** D9/516,
D9/529, 560, 564-565, 571-575, 682, 686-687,
D9/690-694; D28/76, 78, 91, 91.1; 215/379-383;
220/660-662, 669, 675
See application file for complete search history.

(56) **References Cited**

U.S. PATENT DOCUMENTS

D406,054 S * 2/1999 Wagner D9/725

D486,393 S * 2/2004 Chuang D9/503
D493,369 S * 7/2004 Murphy D9/529
D518,382 S * 4/2006 McGuinness D9/504
D569,254 S * 5/2008 Moretti D9/504
D569,727 S * 5/2008 Moretti D9/504

* cited by examiner

Primary Examiner—Ian Simmons
Assistant Examiner—Dana L Sipos
(74) *Attorney, Agent, or Firm*—WolfBlock LLP

(57) **CLAIM**

I claim the ornamental design for a container, as shown and described.

DESCRIPTION

FIG. 1 is a top perspective view of a container showing my new design;

FIG. 2 is a top plan view thereof;

FIG. 3 is a front elevation view thereof;

FIG. 4 is a side elevation view thereof; and,

FIG. 5 is a bottom plan view thereof.

1 Claim, 1 Drawing Sheet

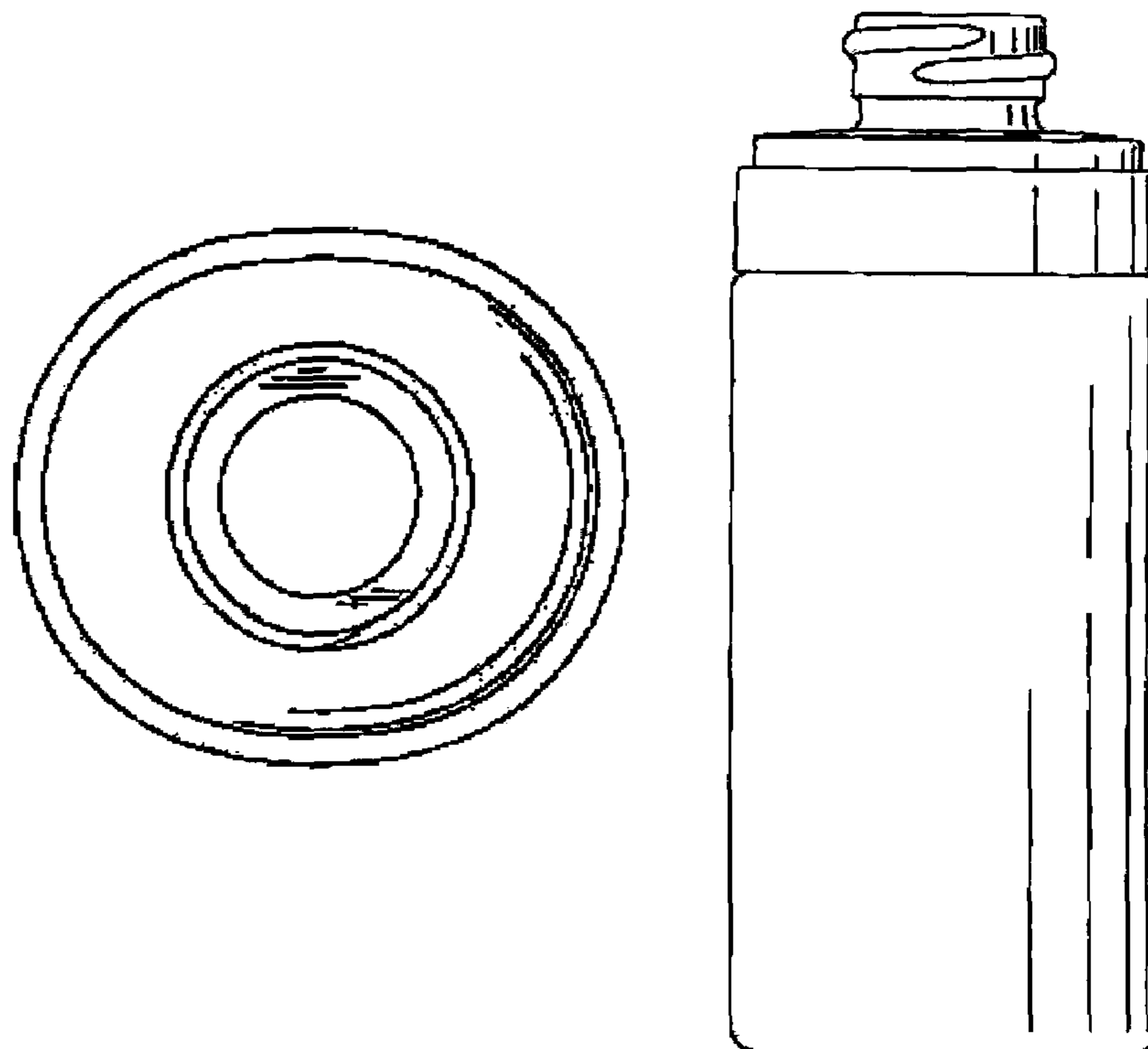


FIGURE 1

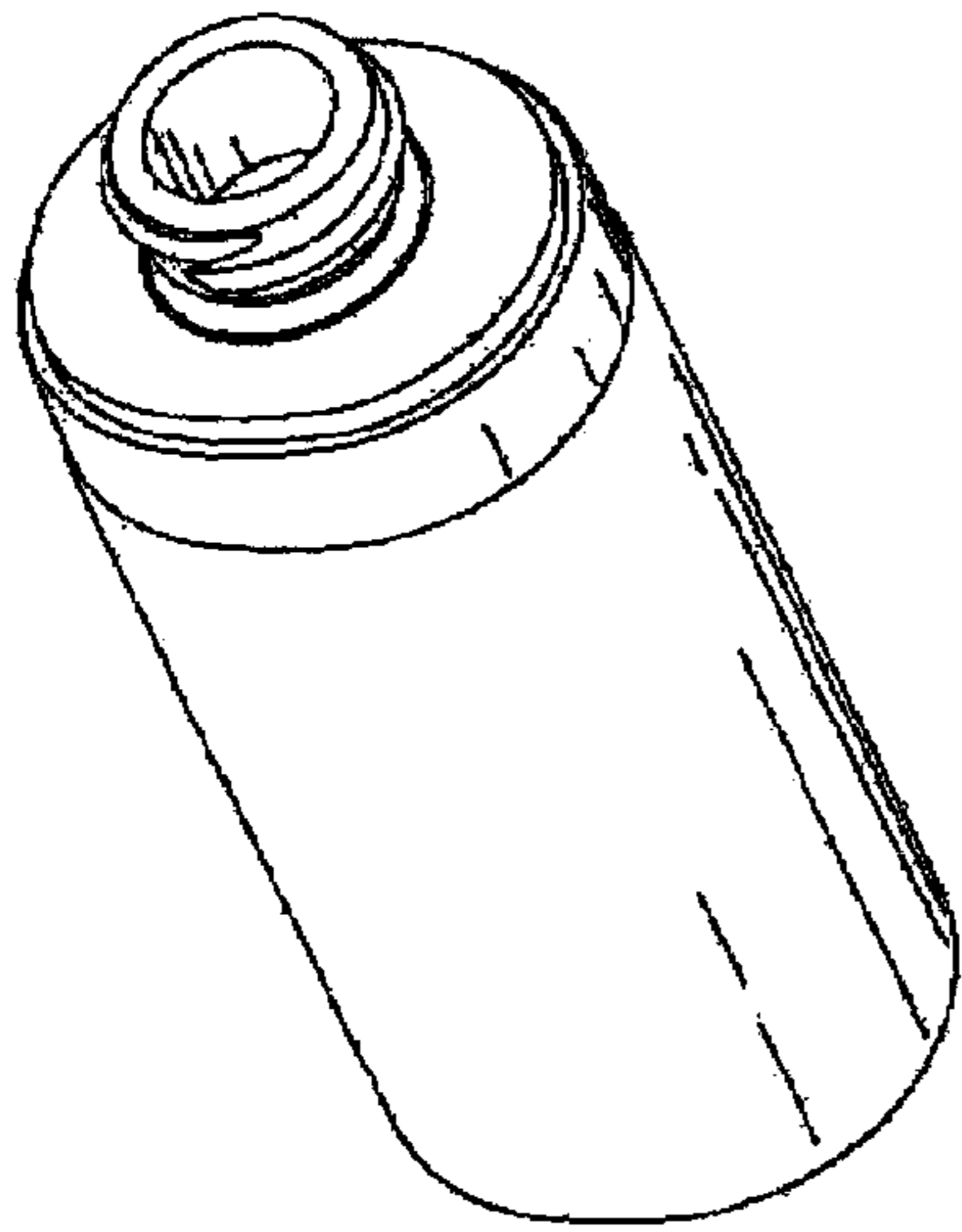


FIGURE 2

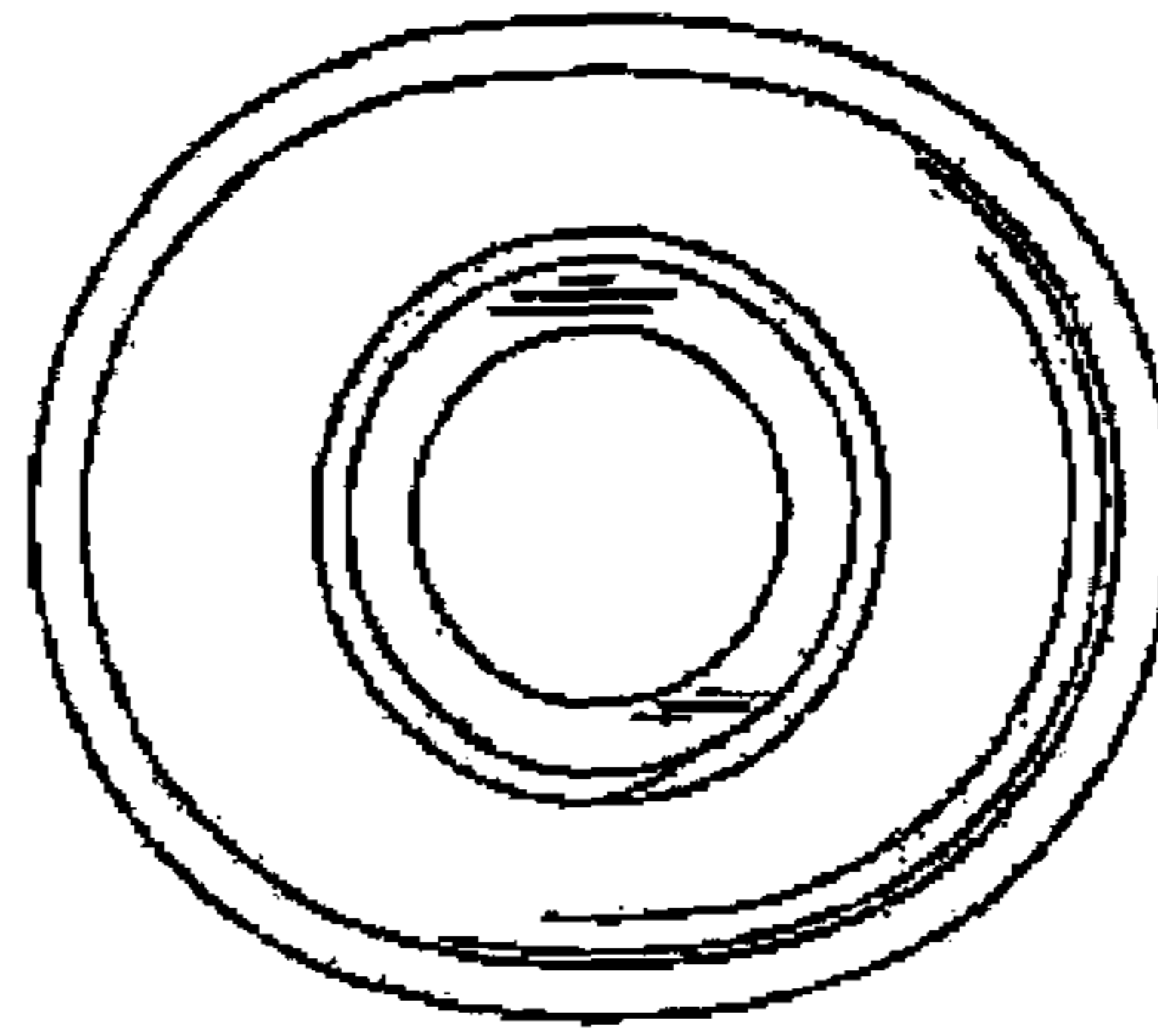


FIGURE 3

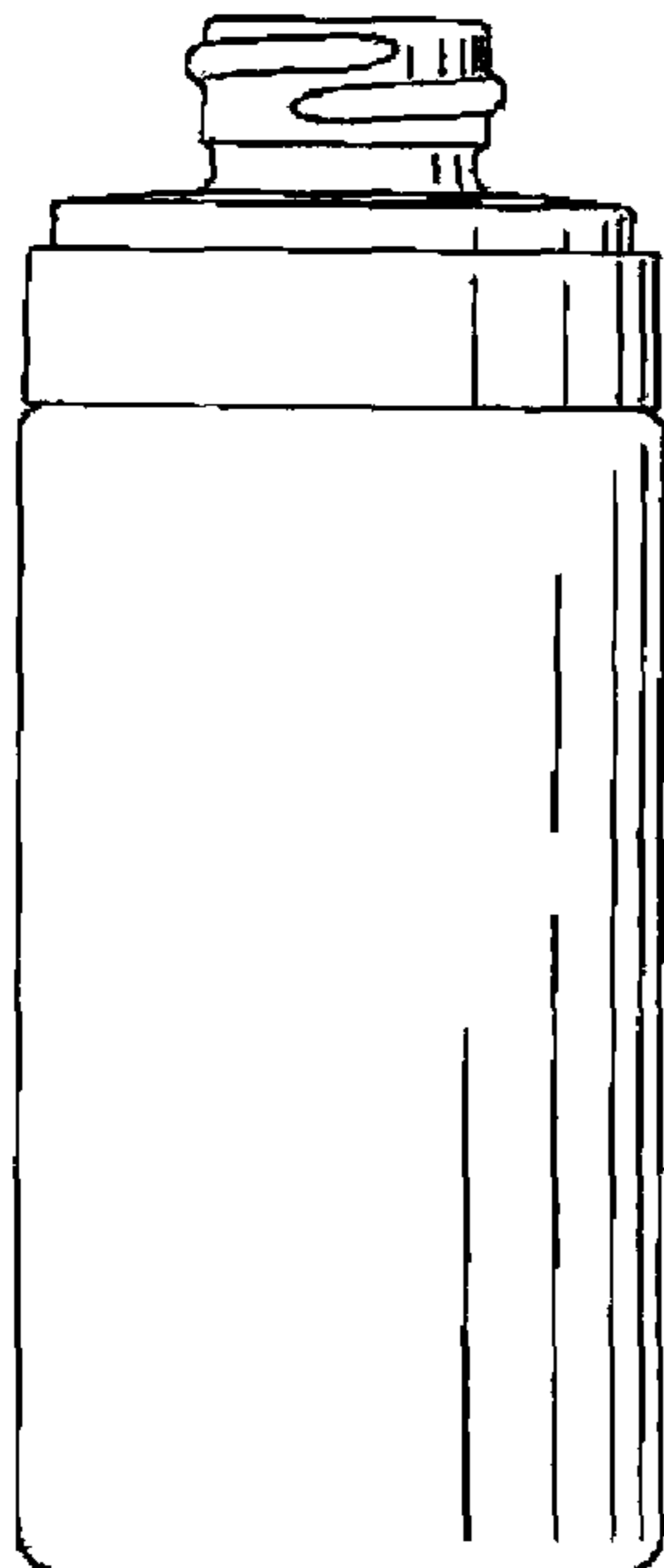


FIGURE 4

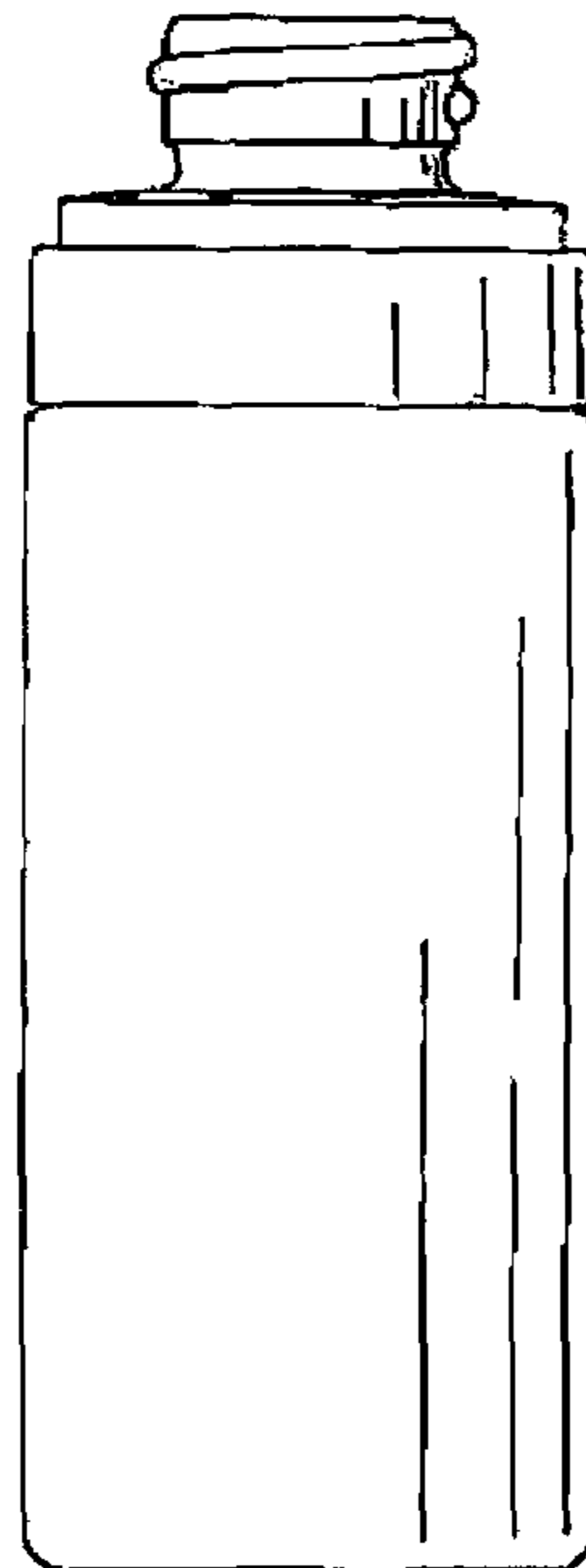


FIGURE 5

