



US00D577288S

(12) **United States Design Patent**
Wilson et al.

(10) **Patent No.:** **US D577,288 S**
(45) **Date of Patent:** **** *Sep. 23, 2008**

(54) **CONTAINER**

(75) Inventors: **Michael J. Wilson**, Rossmoor, CA (US);
Bryan W. Ware, Pleasanton, CA (US);
Sean C. Silk, Los Angeles, CA (US)

(73) Assignee: **MARS, Incorporated**, McLean, VA
(US)

(*) Notice: This patent is subject to a terminal disclaimer.

(**) Term: **14 Years**

(21) Appl. No.: **29/274,220**

(22) Filed: **Apr. 5, 2007**

(51) **LOC (8) Cl.** **09-01**

(52) **U.S. Cl.** **D9/500; D9/428**

(58) **Field of Classification Search** D9/414,
D9/416, 424–425, 428, 500, 516, 539, 549,
D9/558, 772, 776–779, 781, 901–903; D7/509,
D7/523, 532; 215/379–385; 220/660–662,
220/669–673, 675–676

See application file for complete search history.

(56) **References Cited**

U.S. PATENT DOCUMENTS

D44,932 S	11/1913	Mittinger, Jr.	
D75,427 S	6/1928	Josheph	
3,128,029 A	4/1964	Price	
D314,253 S	1/1991	Goetz	
D368,234 S *	3/1996	Dickinson et al.	D11/152
D373,050 S	8/1996	Brewer et al.	
D416,445 S	11/1999	Henry	
D426,160 S *	6/2000	Lindsay et al.	D9/500
D429,150 S *	8/2000	Lindsay et al.	D9/425
D439,517 S *	3/2001	Lindsay et al.	D9/500

D452,417 S	12/2001	Whitmore et al.	
D454,989 S	3/2002	McLaughlin	
D474,110 S *	5/2003	Sweeney	D9/428
D478,474 S	8/2003	Zettle	
D478,478 S *	8/2003	Sooahoo et al.	D7/586
D482,240 S *	11/2003	Sooahoo et al.	D7/584
D485,126 S	1/2004	Watson	
D509,106 S	9/2005	de Groote et al.	
D522,809 S	6/2006	Kusuma et al.	
D532,293 S	11/2006	Martin	
D568,156 S	5/2008	Wilson et al.	

OTHER PUBLICATIONS

U.S. Appl. No. 29/274,219, filed Apr. 5, 2007, by Michael J. Wilson, et al., entitled "Container".

U.S. Appl. No. 29/274,221, filed Apr. 5, 2007, by Michael J. Wilson, et al., entitled "Container".

U.S. Appl. No. 29/298,079, filed Nov. 28, 2007, by Michael J. Wilson, et al., entitled "Container".

* cited by examiner

Primary Examiner—Ian Simmons

Assistant Examiner—Dana L Sipos

(74) *Attorney, Agent, or Firm*—Arent Fox LLP

(57) **CLAIM**

The ornamental design for a container, as shown and described.

DESCRIPTION

FIG. 1: is a top perspective view of the container showing our new design;

FIG. 2: is a front elevational view of the design shown in FIG. 1;

FIG. 3: is a top plan view of the design shown in FIG. 1; and,

FIG. 4: is a bottom plan view of the design shown in FIG. 1.

1 Claim, 2 Drawing Sheets

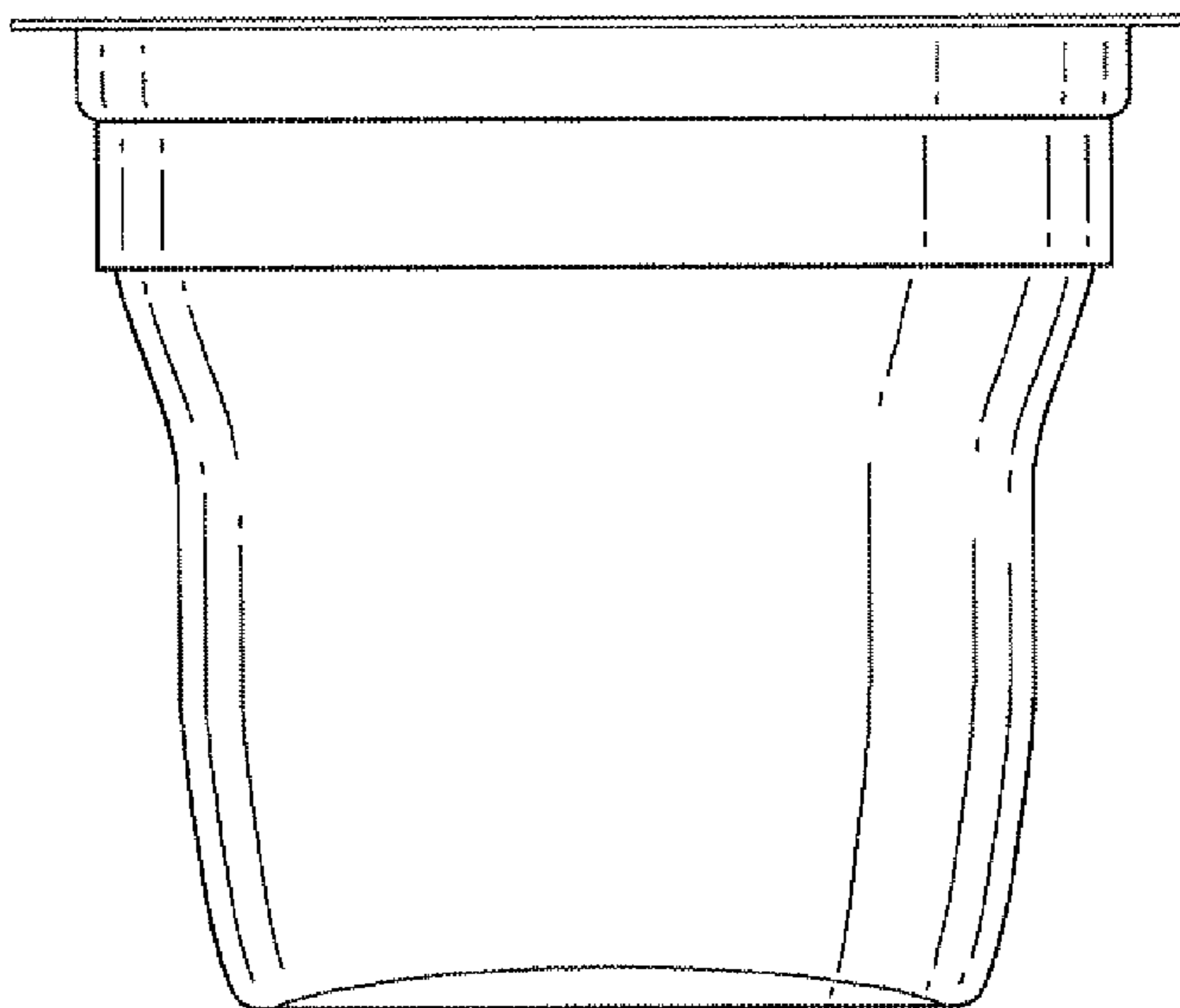


Fig.1

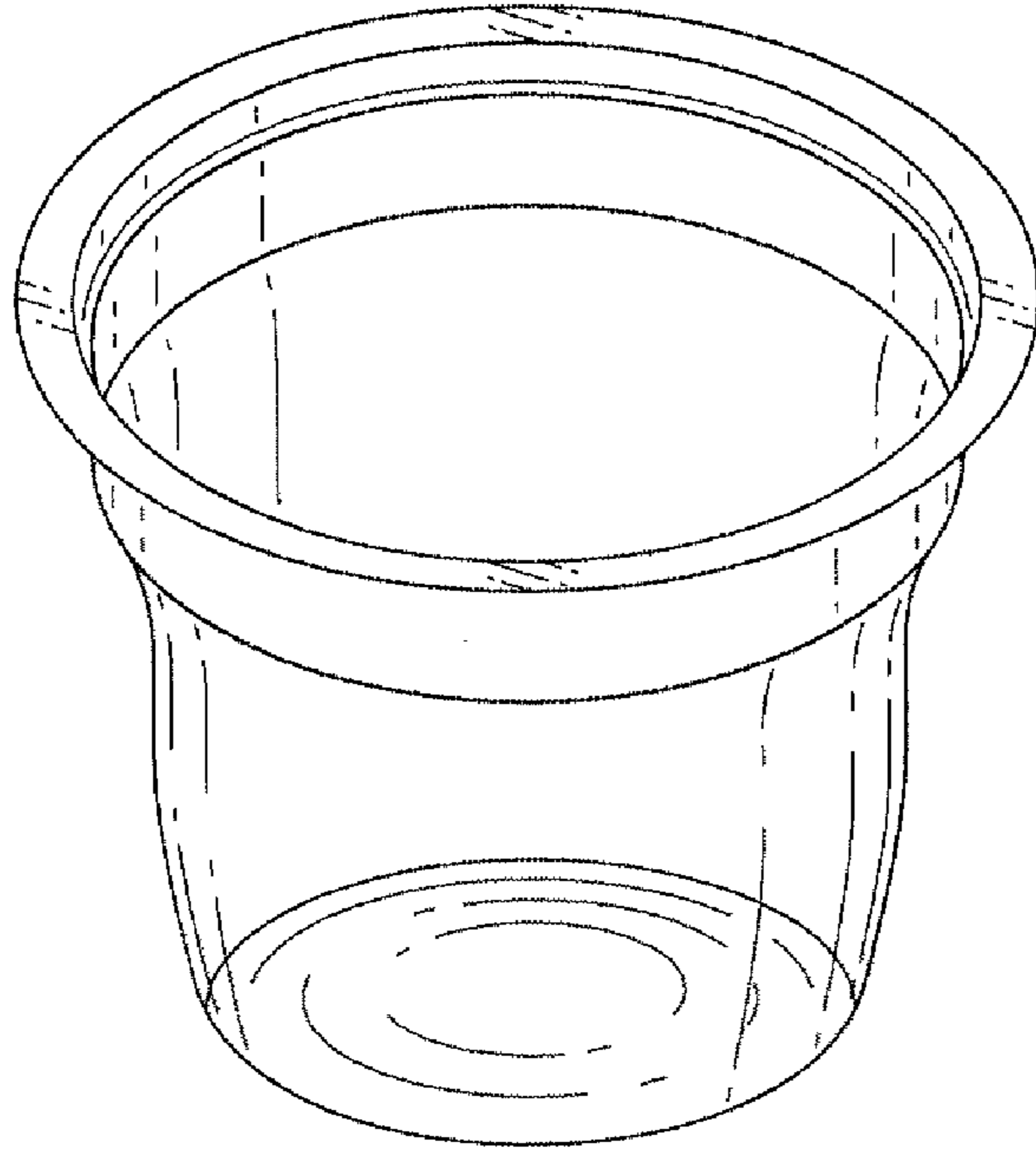


Fig.2

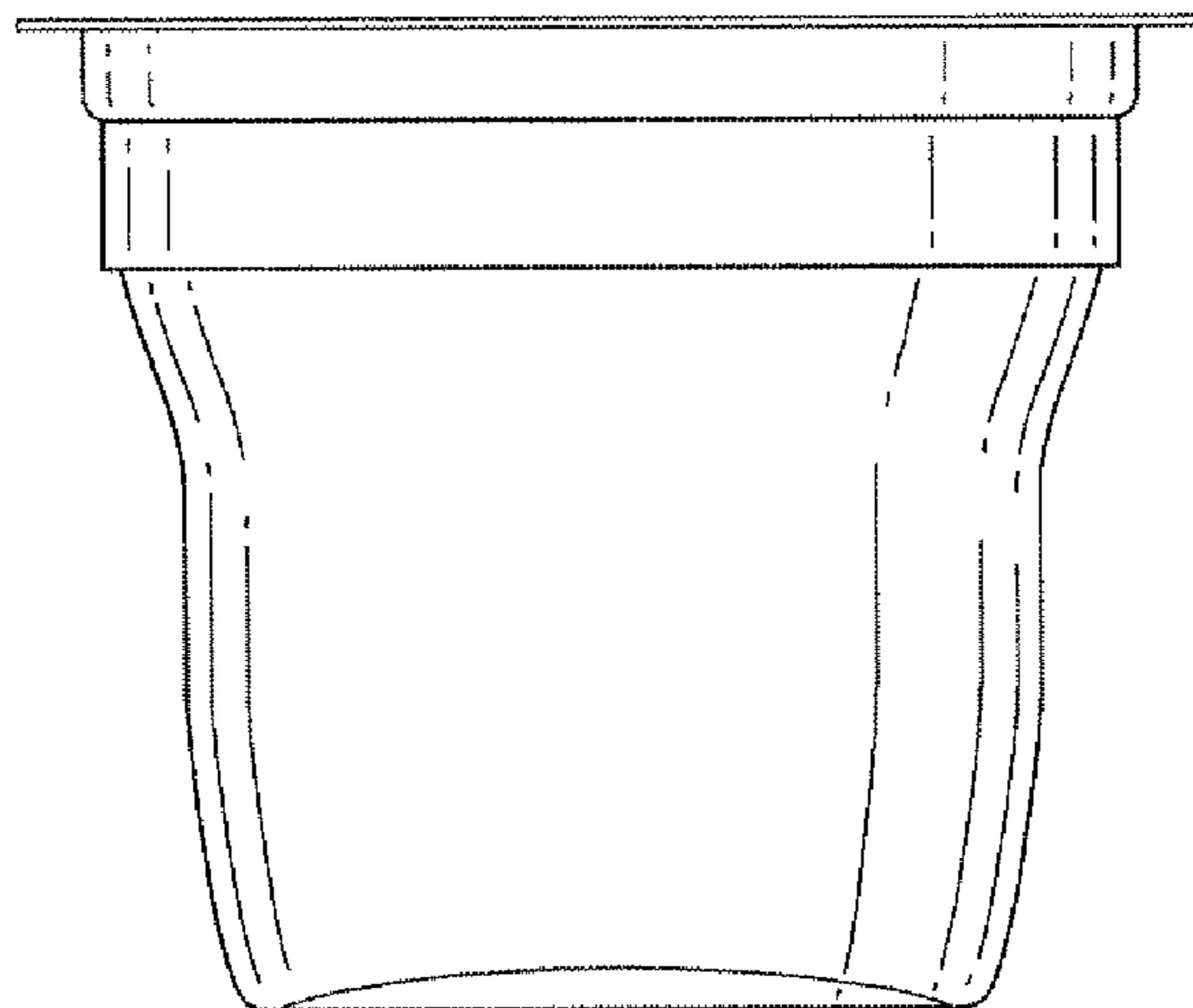


Fig.3

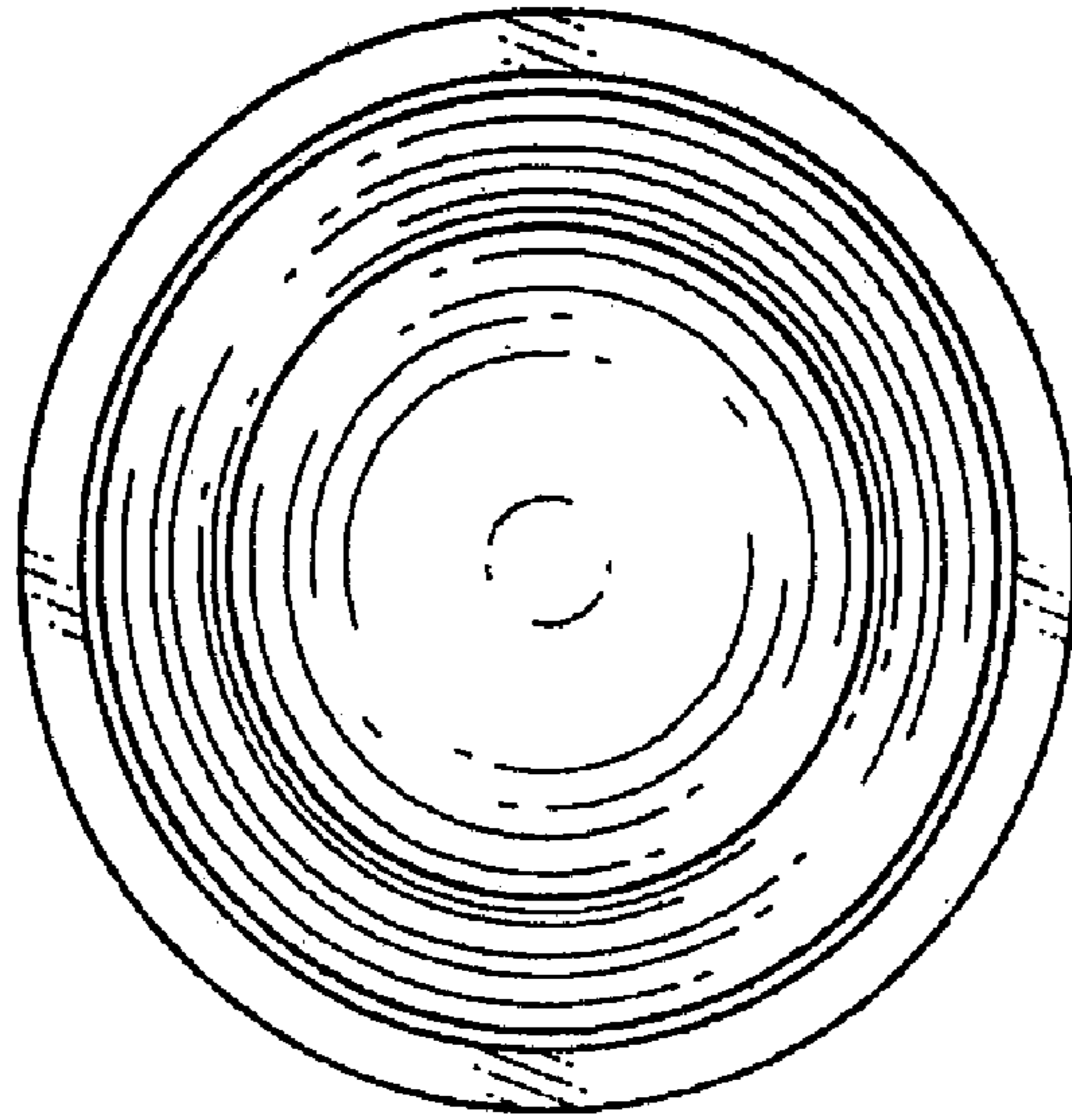


Fig.4

