



US00D577285S

(12) **United States Design Patent**  
**Gaudron**

(10) **Patent No.:** **US D577,285 S**

(45) **Date of Patent:** **\*\* Sep. 23, 2008**

(54) **ANCHOR**

(75) Inventor: **Paul Gaudron**, Stamford, CT (US)

(73) Assignee: **Power Fasteners, Inc.**, Brewster, NY (US)

(\*\*) Term: **14 Years**

(21) Appl. No.: **29/285,402**

(22) Filed: **Mar. 28, 2007**

(51) **LOC (8) Cl.** ..... **08-08**

(52) **U.S. Cl.** ..... **D8/385**

(58) **Field of Classification Search** ..... D8/385,  
D8/386; 411/15, 80.1

See application file for complete search history.

(56) **References Cited**

**U.S. PATENT DOCUMENTS**

D106,861	S	*	11/1937	Dellinger	.....	D8/385
3,461,772	A	*	8/1969	Barry	.....	411/80.1
3,482,482	A	*	12/1969	Le Sage	.....	411/80.1
D228,340	S	*	9/1973	Jennings	.....	D8/385
D264,429	S	*	5/1982	Foscarini et al.	.....	D8/385
4,752,170	A	*	6/1988	McSherry et al.	.....	411/60
4,861,197	A	*	8/1989	Calandra, Jr.	.....	405/259.3

D315,290	S	*	3/1991	Ikuta	.....	D8/385
5,161,296	A	*	11/1992	Garfield et al.	.....	29/524.1
D371,294	S	*	7/1996	Anquetin	.....	D8/385
6,991,413	B2	*	1/2006	Ballou et al.	.....	411/15
2002/0150442	A1	*	10/2002	Remmers	.....	411/340
2004/0202522	A1	*	10/2004	Cabrele	.....	411/80.1

\* cited by examiner

*Primary Examiner*—Holly H. Baynham

*Assistant Examiner*—Sheryl Friedman

(74) *Attorney, Agent, or Firm*—Cantor Colburn LLP

(57) **CLAIM**

I claim the ornamental design for an anchor, as shown and described.

**DESCRIPTION**

FIG. 1 is a perspective view of an anchor;

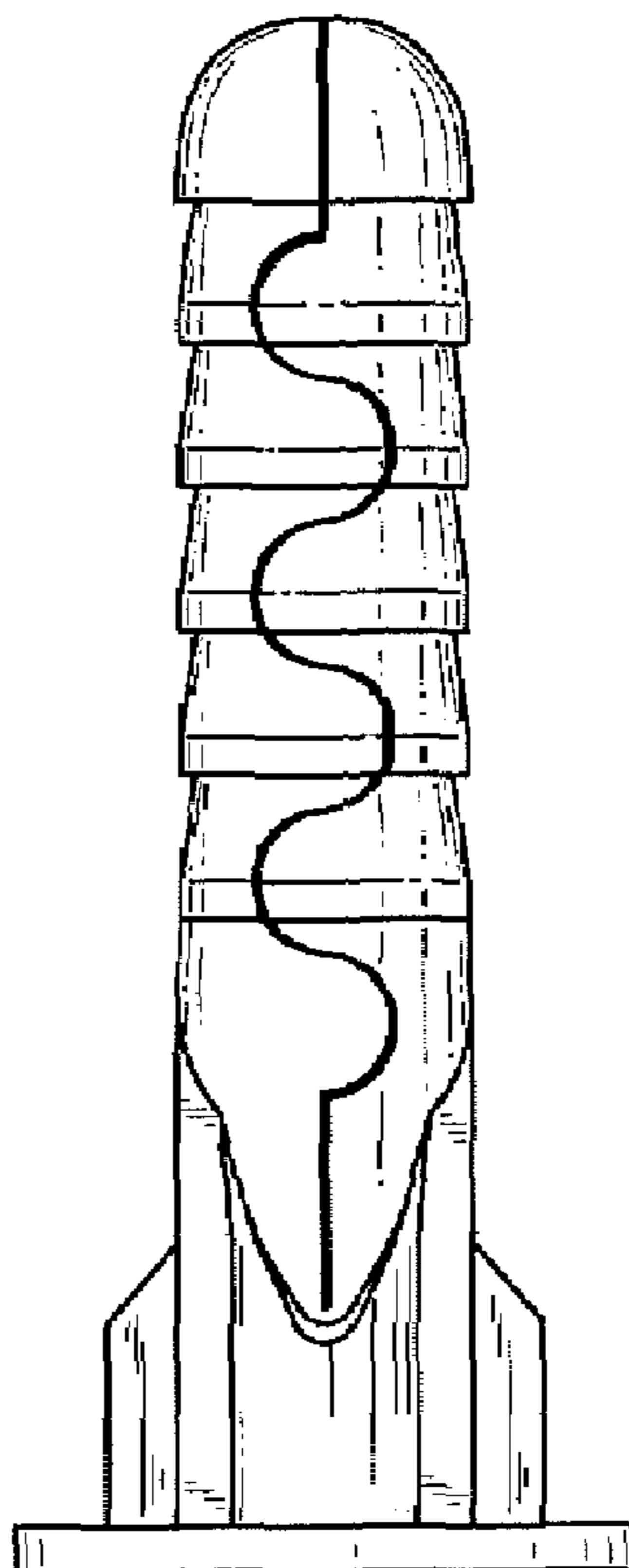
FIG. 2 is a front view of the anchor, the rear view being a mirror image thereof;

FIG. 3 is a side view of the anchor, the opposite side being a mirror image thereof;

FIG. 4 is a bottom plan view of the anchor; and,

FIG. 5 is a top plan view of the anchor.

**1 Claim, 1 Drawing Sheet**



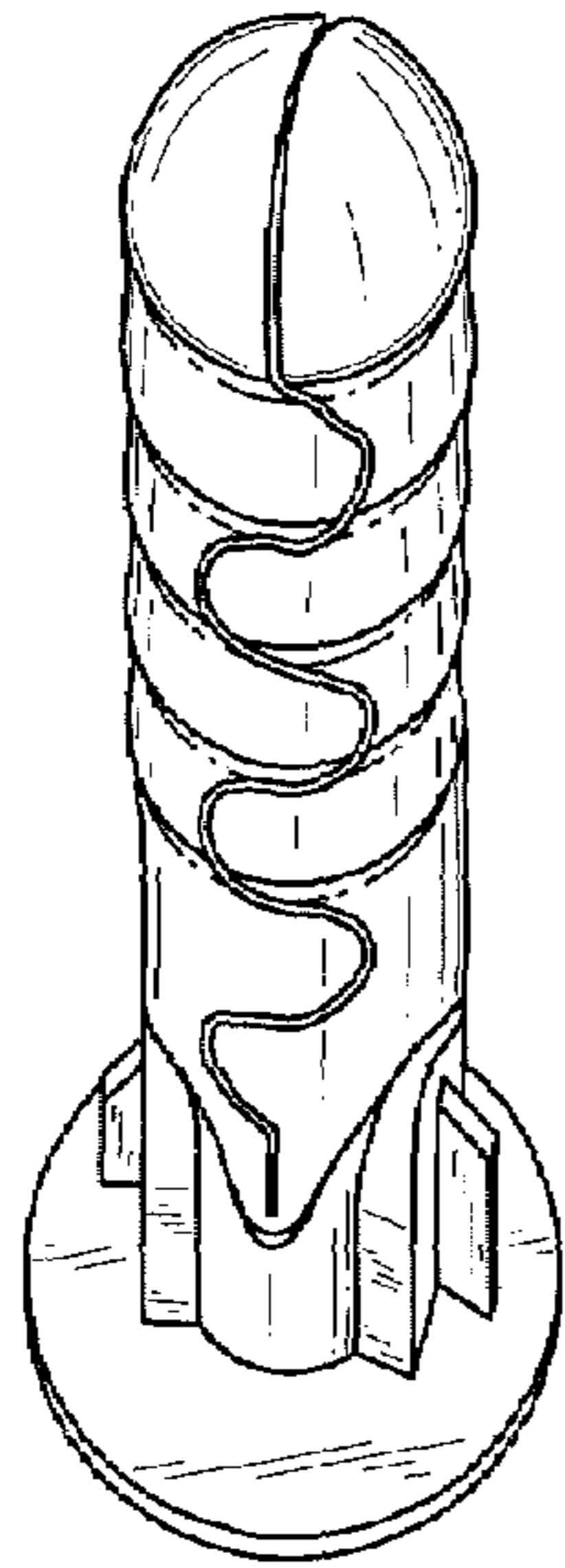


FIG. 1

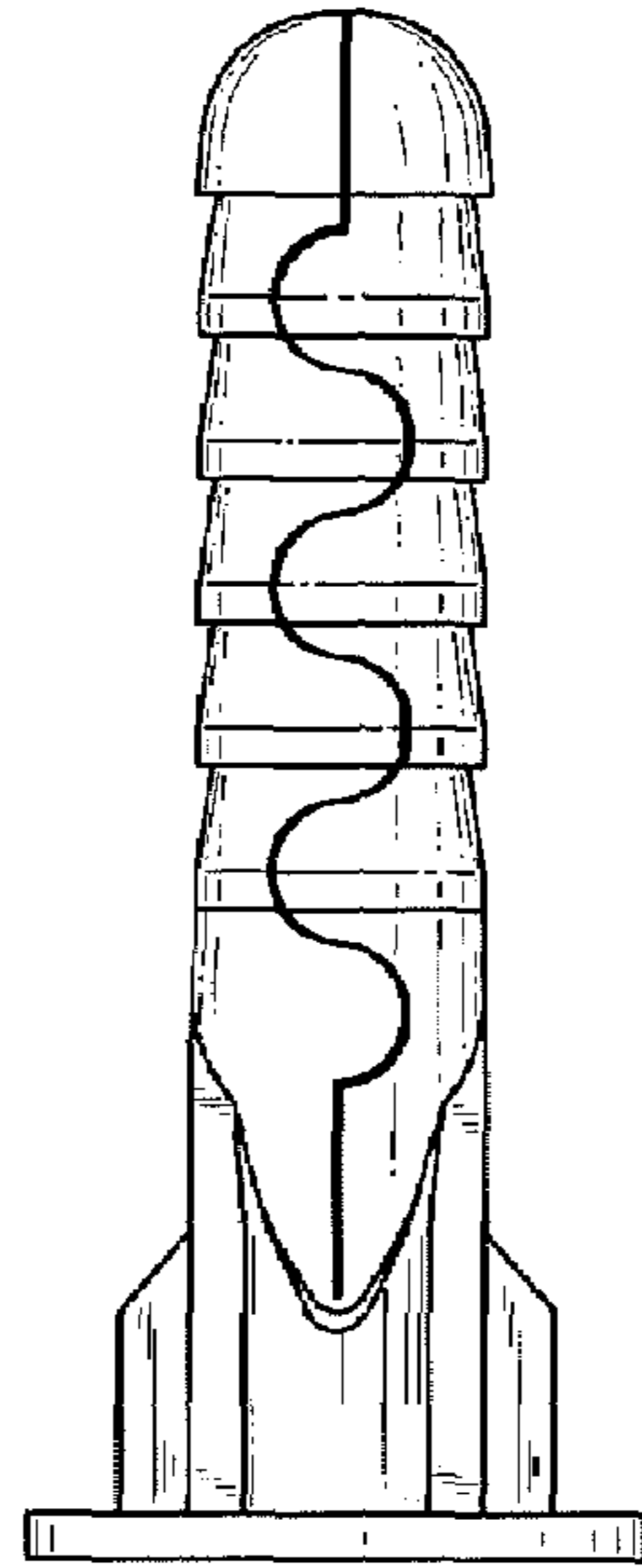


FIG. 2

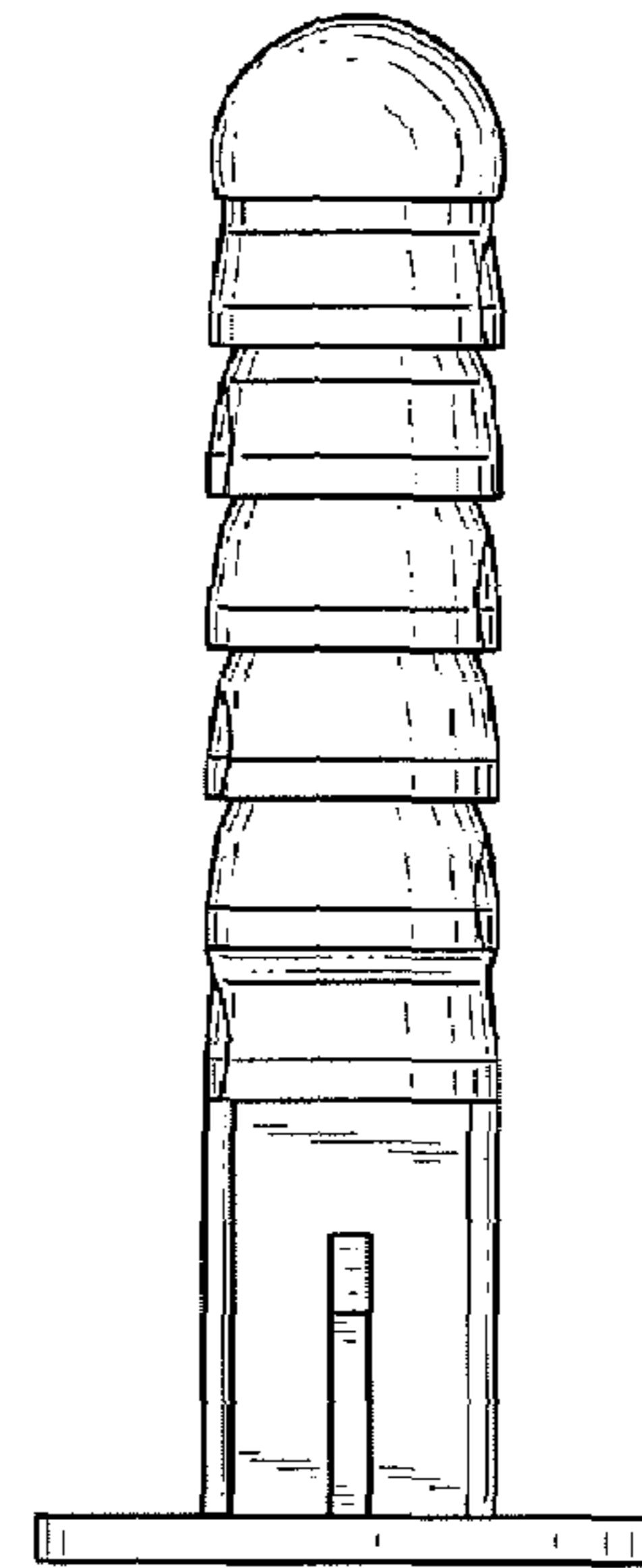


FIG. 3

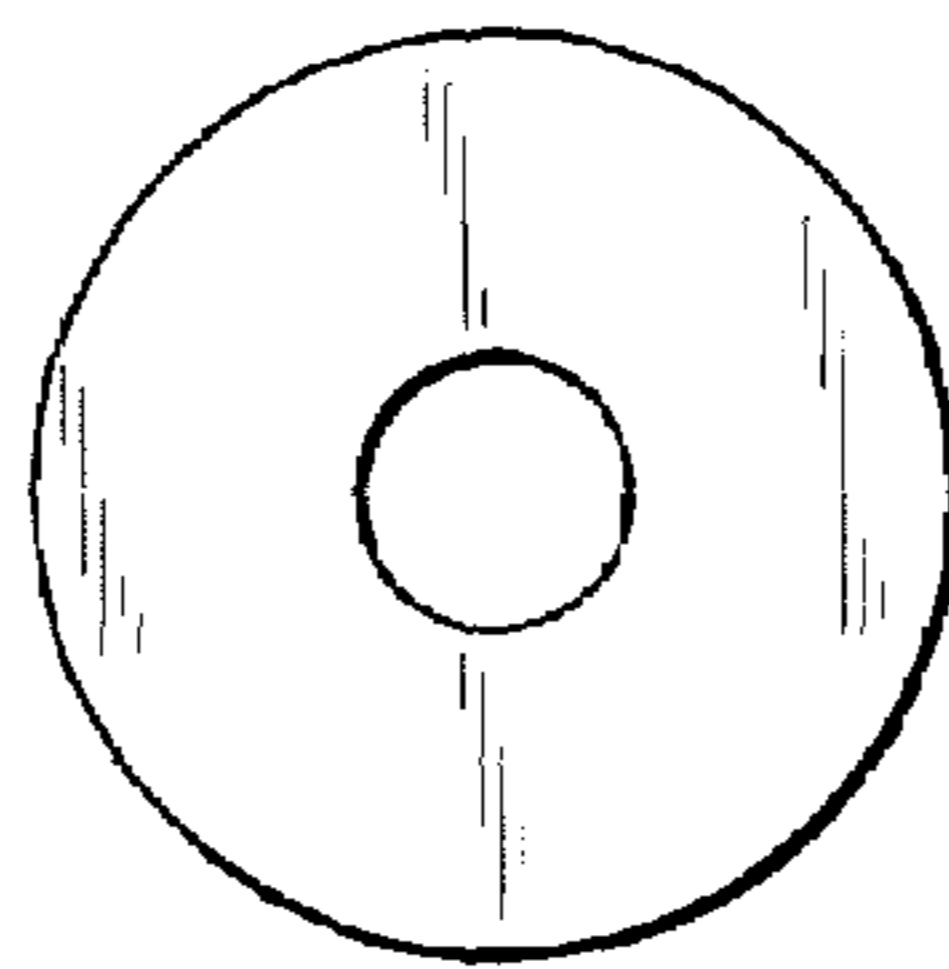


FIG. 4

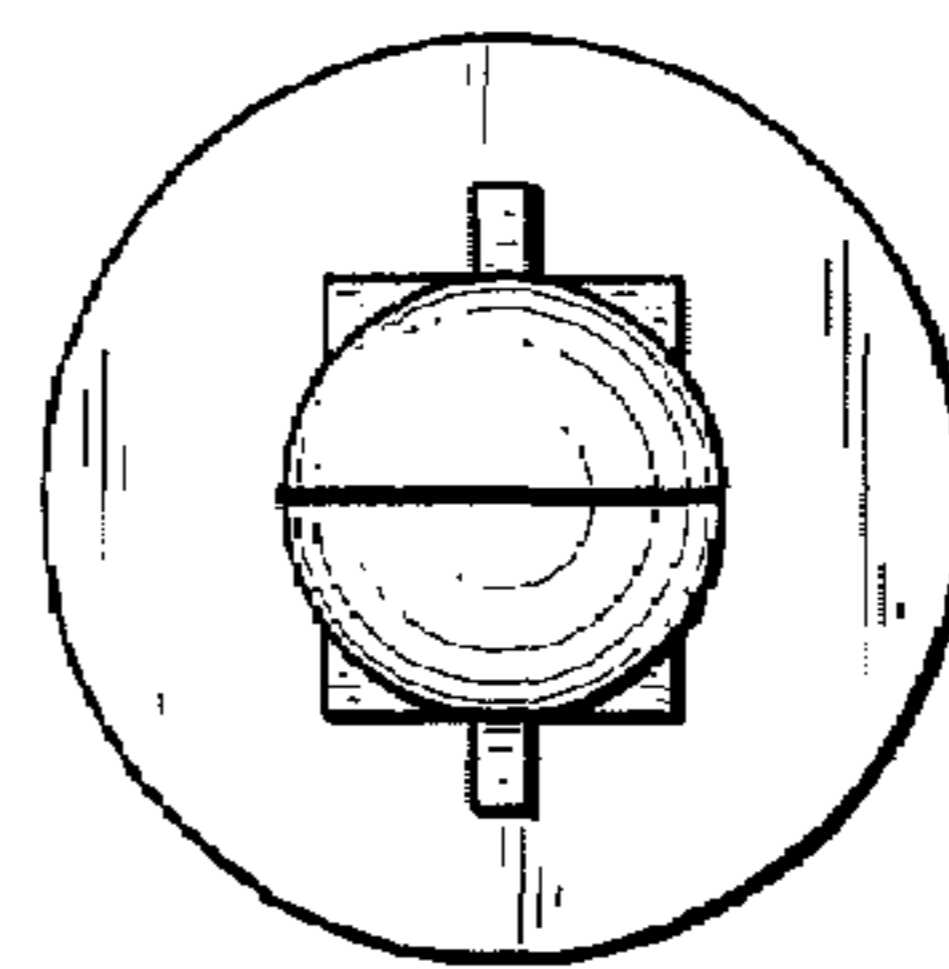


FIG. 5