



US00D577280S

(12) **United States Design Patent**
Parker

(10) **Patent No.:** **US D577,280 S**

(45) **Date of Patent:** **** Sep. 23, 2008**

(54) **WALL PLATE AND COVER ASSEMBLY**

(75) Inventor: **Robert M. Parker**, Aurora, CO (US)

(73) Assignee: **ICM Corporation**, Denver, CO (US)

(**) Term: **14 Years**

(21) Appl. No.: **29/293,176**

(22) Filed: **Nov. 8, 2007**

(51) **LOC (8) Cl.** **11-05**

(52) **U.S. Cl.** **D8/353**

(58) **Field of Classification Search** D8/350-353,
D8/399; D13/156, 177, 152, 154, 158, 173,
D13/169, 171, 139.1-139.8, 146, 147, 162;
D25/60; D14/159; 292/357; 248/27.3; 174/66,
174/67, 55, 58, 535; 200/303; 220/241,
220/3.92, 3.5-3.8, 242; 439/536, 535, 892
See application file for complete search history.

(56) **References Cited**

U.S. PATENT DOCUMENTS

D294,798 S *	3/1988	Hoehne	D8/353
5,124,506 A *	6/1992	Briggs et al.	174/67
D342,235 S *	12/1993	Shotey	D13/156
5,527,993 A *	6/1996	Shotey et al.	174/67
D399,495 S *	10/1998	Bachschnid	D13/177
D399,829 S *	10/1998	Reed	D13/156
D449,584 S *	10/2001	Dinh	D13/156
D503,156 S	3/2005	Provenzano		
6,916,989 B2 *	7/2005	Broussard, Jr.	174/66
7,164,083 B1 *	1/2007	Carroll	174/67
D540,656 S	4/2007	Corbin		
D553,475 S *	10/2007	Gorin et al.	D8/353
D554,475 S *	11/2007	Gorin et al.	D8/353
2004/0074663 A1 *	4/2004	Broussard, Jr.	174/67

OTHER PUBLICATIONS

Catalog page for "HIP Splitter Wall Plate" by ICM Corporation, published Sep. 2006.

* cited by examiner

Primary Examiner—Stella M. Reid

Assistant Examiner—Mark A Goodwin

(74) *Attorney, Agent, or Firm*—The Reilly Intellectual Property Law Firm, P.C.; John E. Reilly

(57) **CLAIM**

The ornamental design for wall plate and cover assembly, as shown and described.

DESCRIPTION

FIG. 1 is a perspective view of a wall plate and cover assembly showing my new design;

FIG. 2 is an exploded view of the embodiment shown in FIG. 1;

FIG. 3 is a top plan view of FIG. 1;

FIG. 4 is an end view of FIG. 1;

FIG. 5 is an end view of FIG. 3 from an opposite end to that of FIG. 4;

FIG. 6 is a front elevational view of FIG. 3;

FIG. 7 is a rear elevational view of FIG. 3;

FIG. 8 is a bottom plan view of FIG. 3;

FIG. 9 is a front perspective view of a second embodiment of a wall plate and cover assembly showing my new design;

FIG. 10 is an exploded, perspective view of FIG. 9;

FIG. 11 is a top plan view of FIG. 9;

FIG. 12 is an end view of FIG. 11;

FIG. 13 is an end view of FIG. 11 from an opposite end to that of FIG. 12;

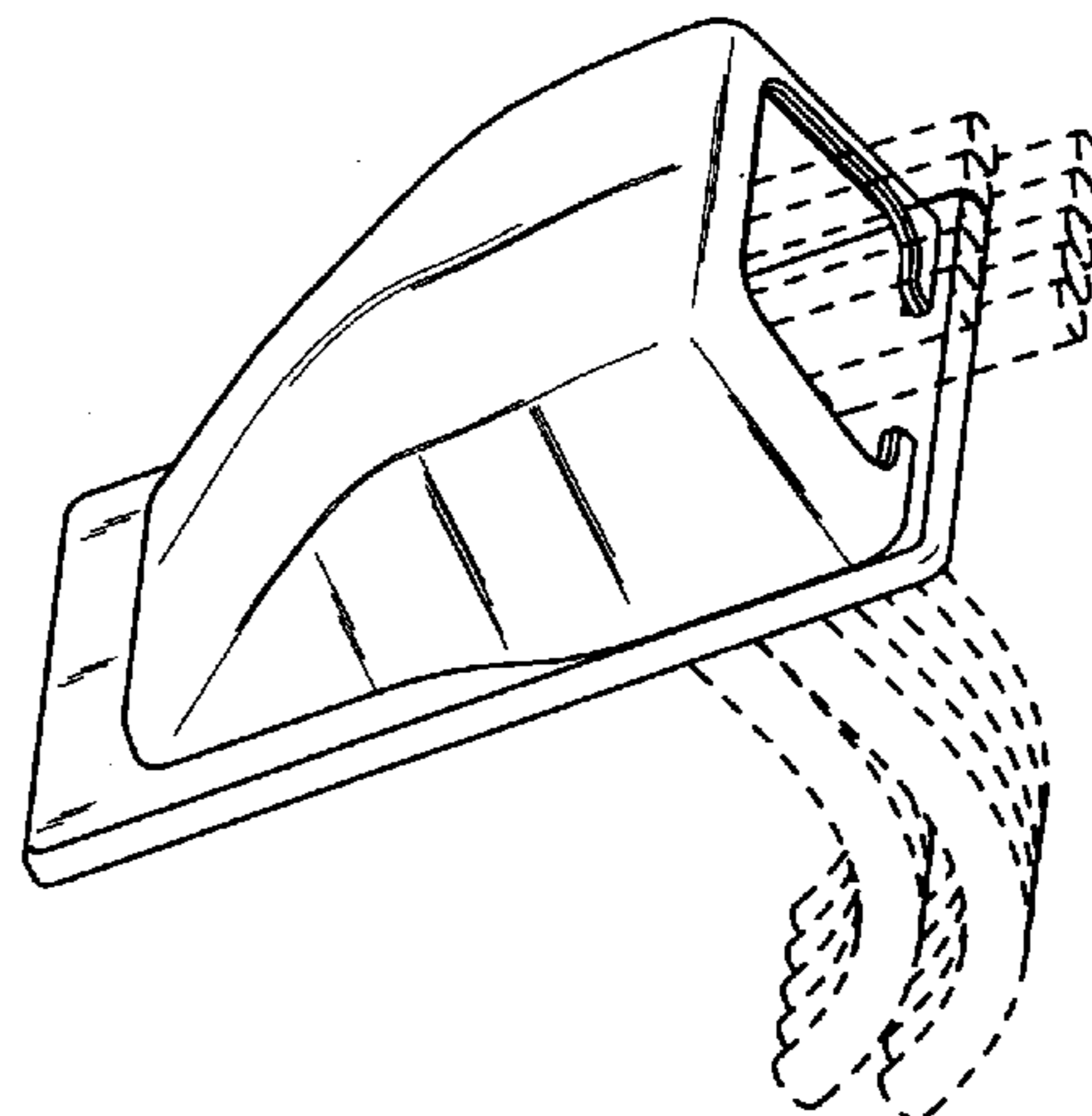
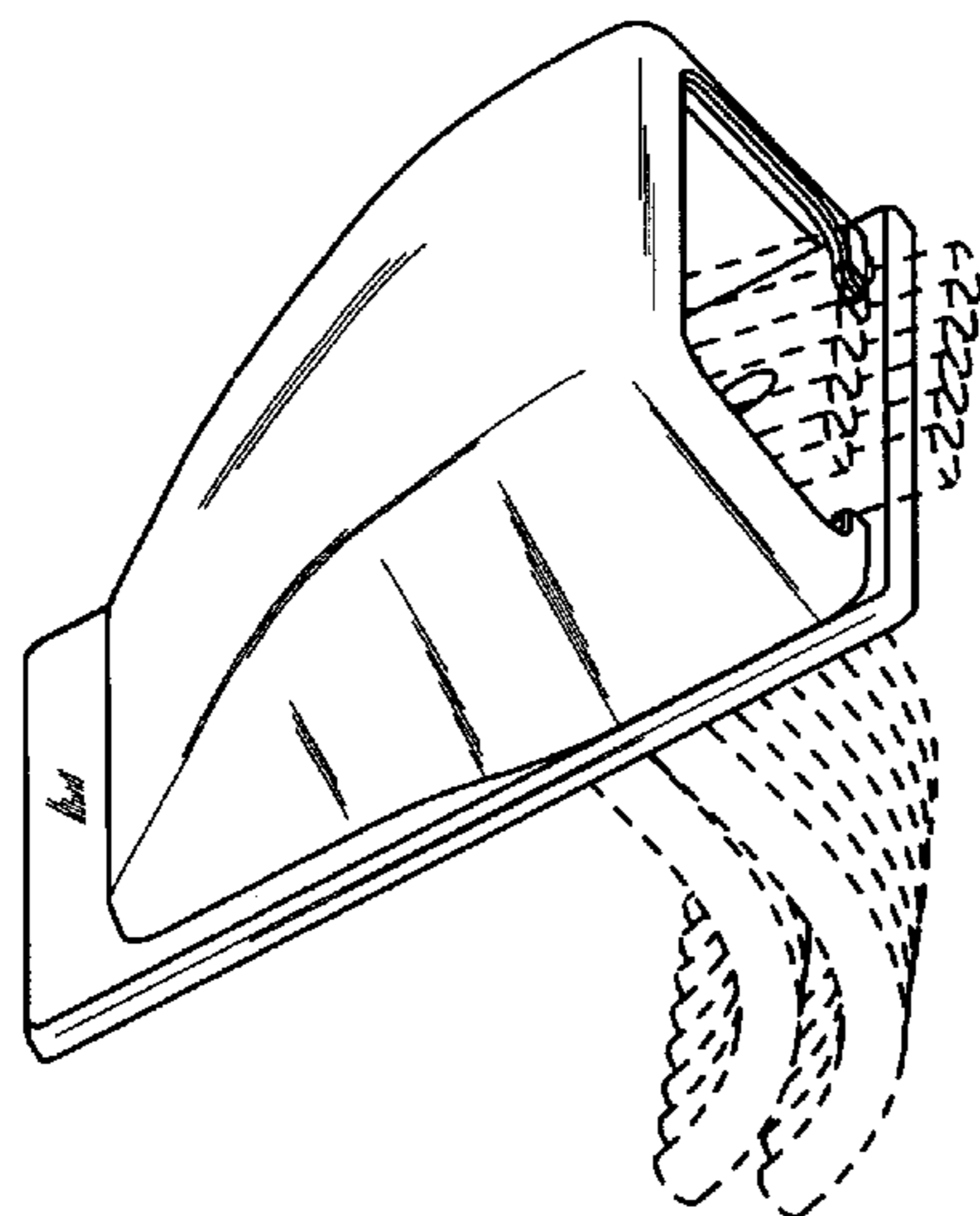
FIG. 14 is a front elevational view of FIG. 11;

FIG. 15 is a rear elevational view of FIG. 11; and,

FIG. 16 is a bottom plan view of FIG. 11.

The broken line showing of the bundled wires in FIGS. 1, 2, 9 and 10 is included for the purpose of illustrating environmental structure and forms no part of the claimed design.

1 Claim, 4 Drawing Sheets



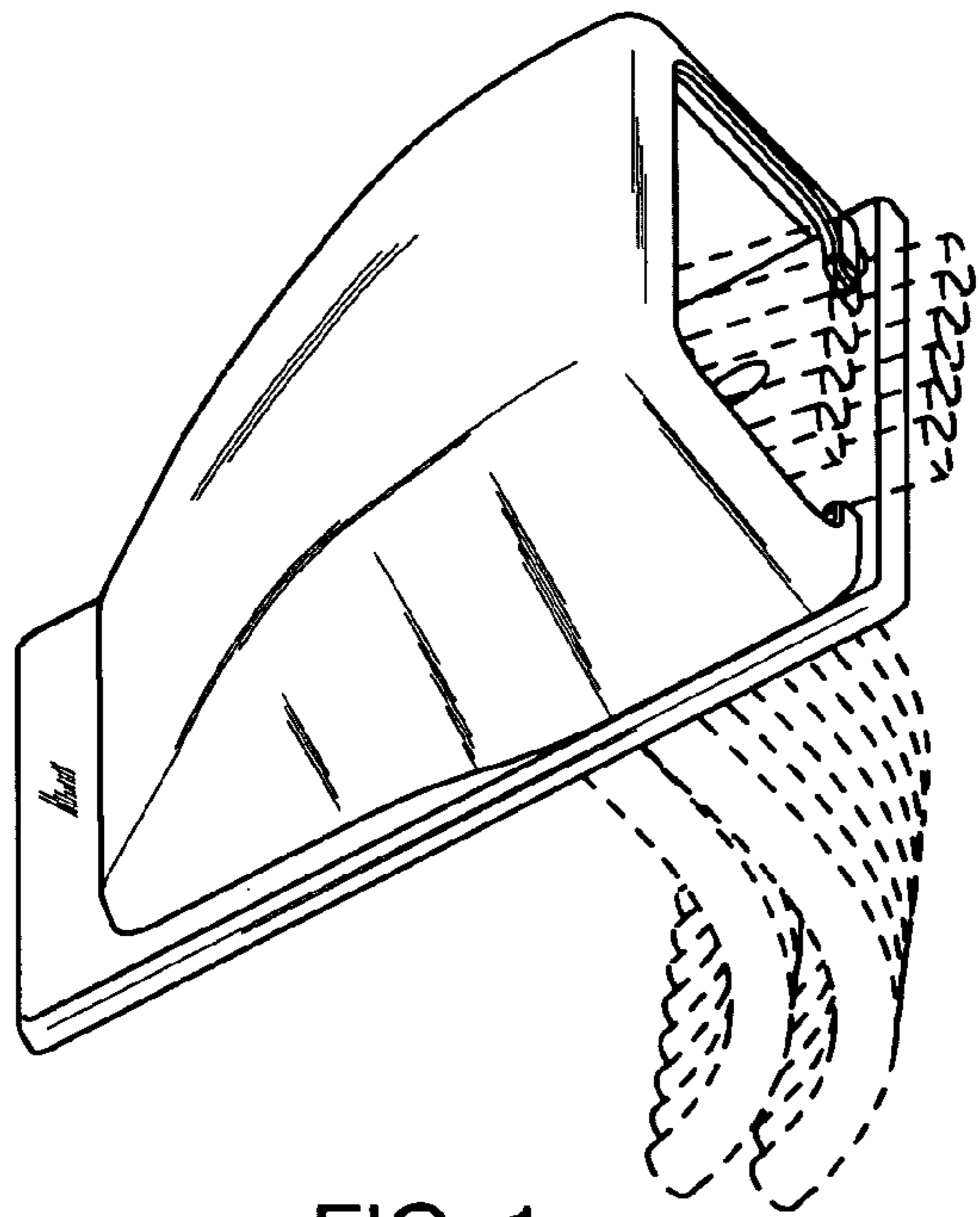


FIG. 1

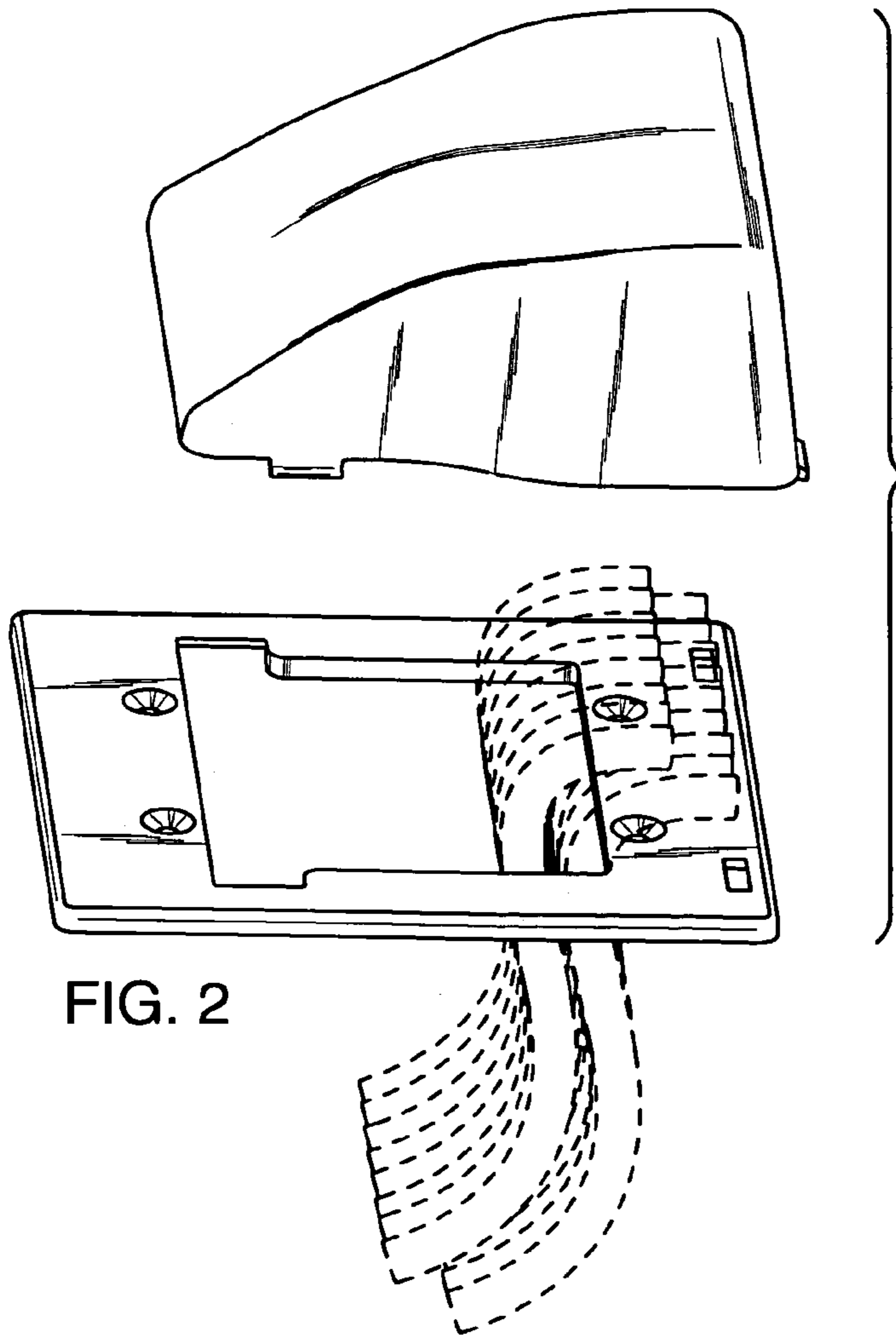


FIG. 2

FIG. 8

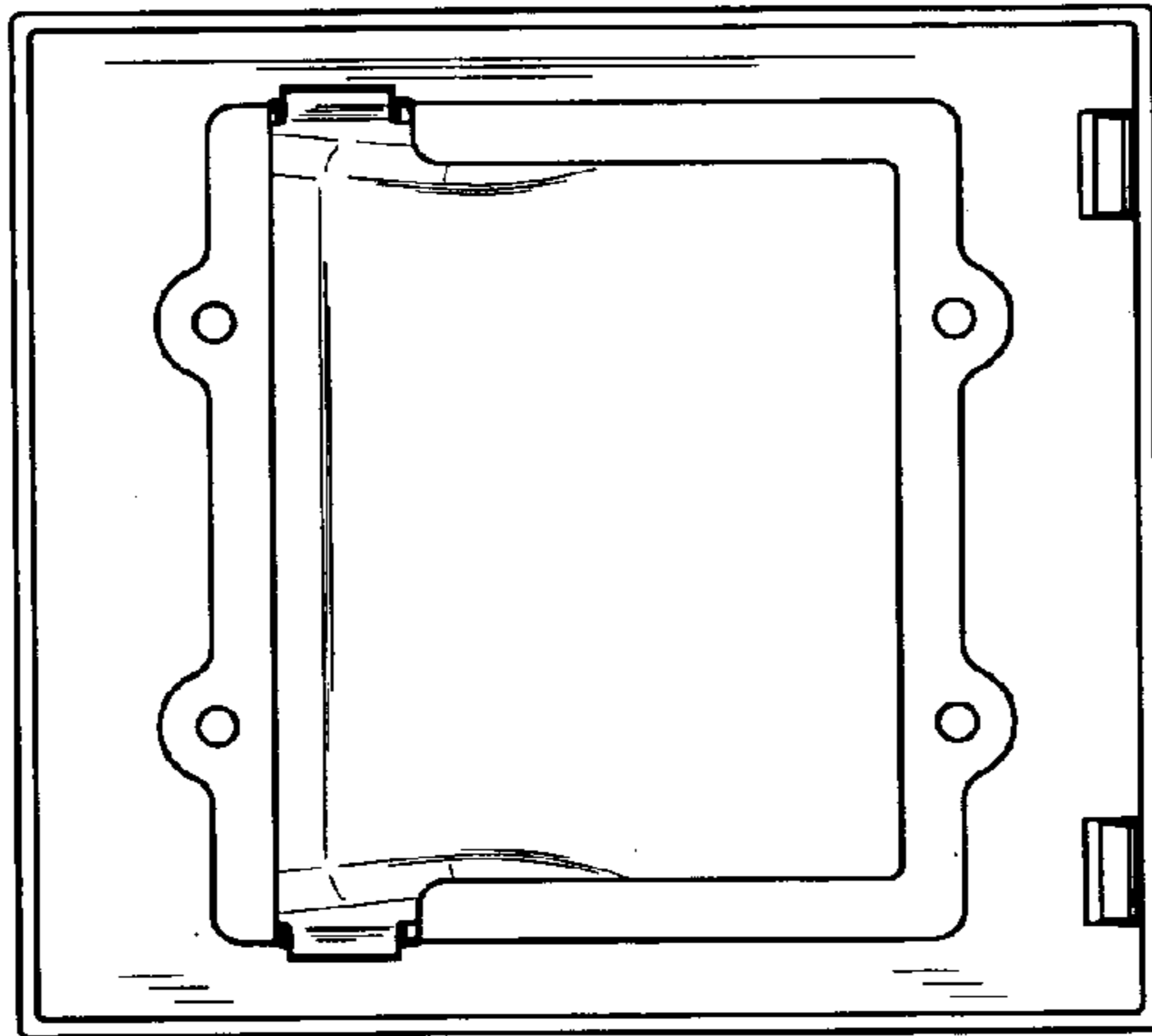


FIG. 7

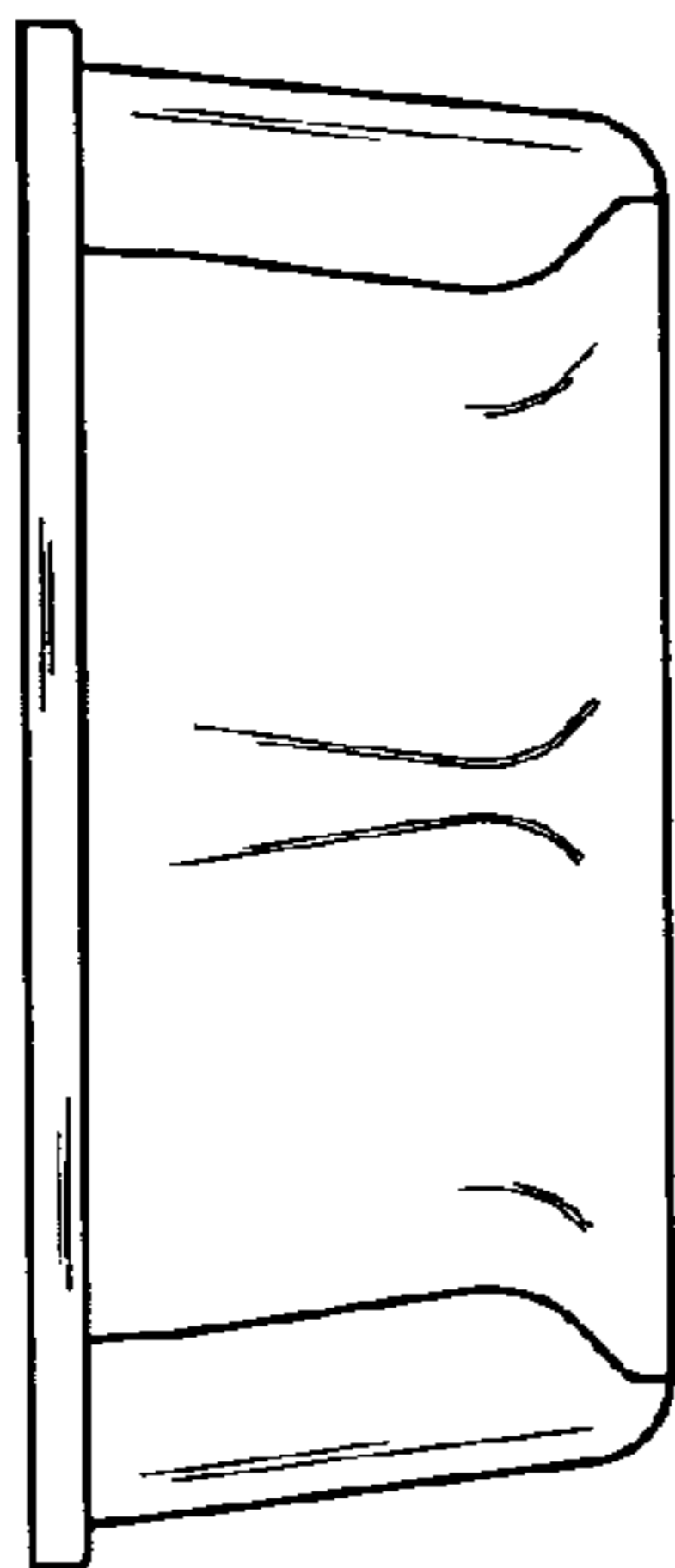
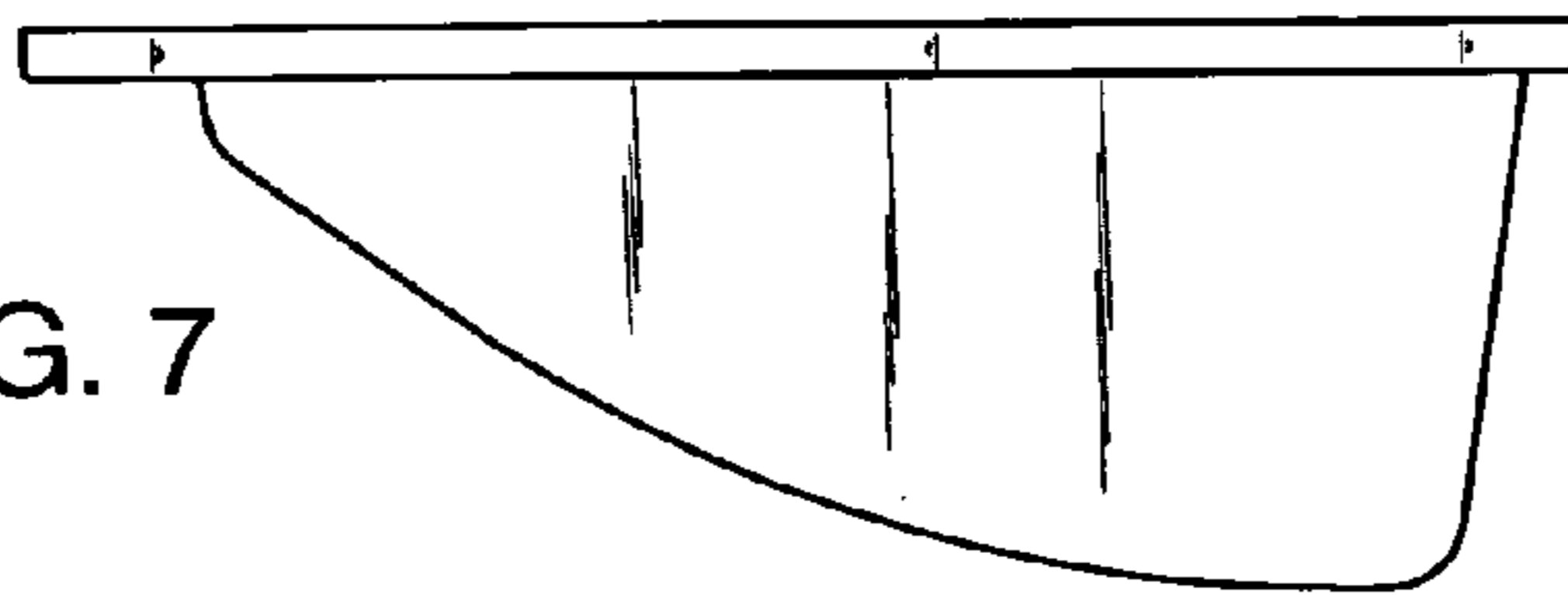


FIG. 4

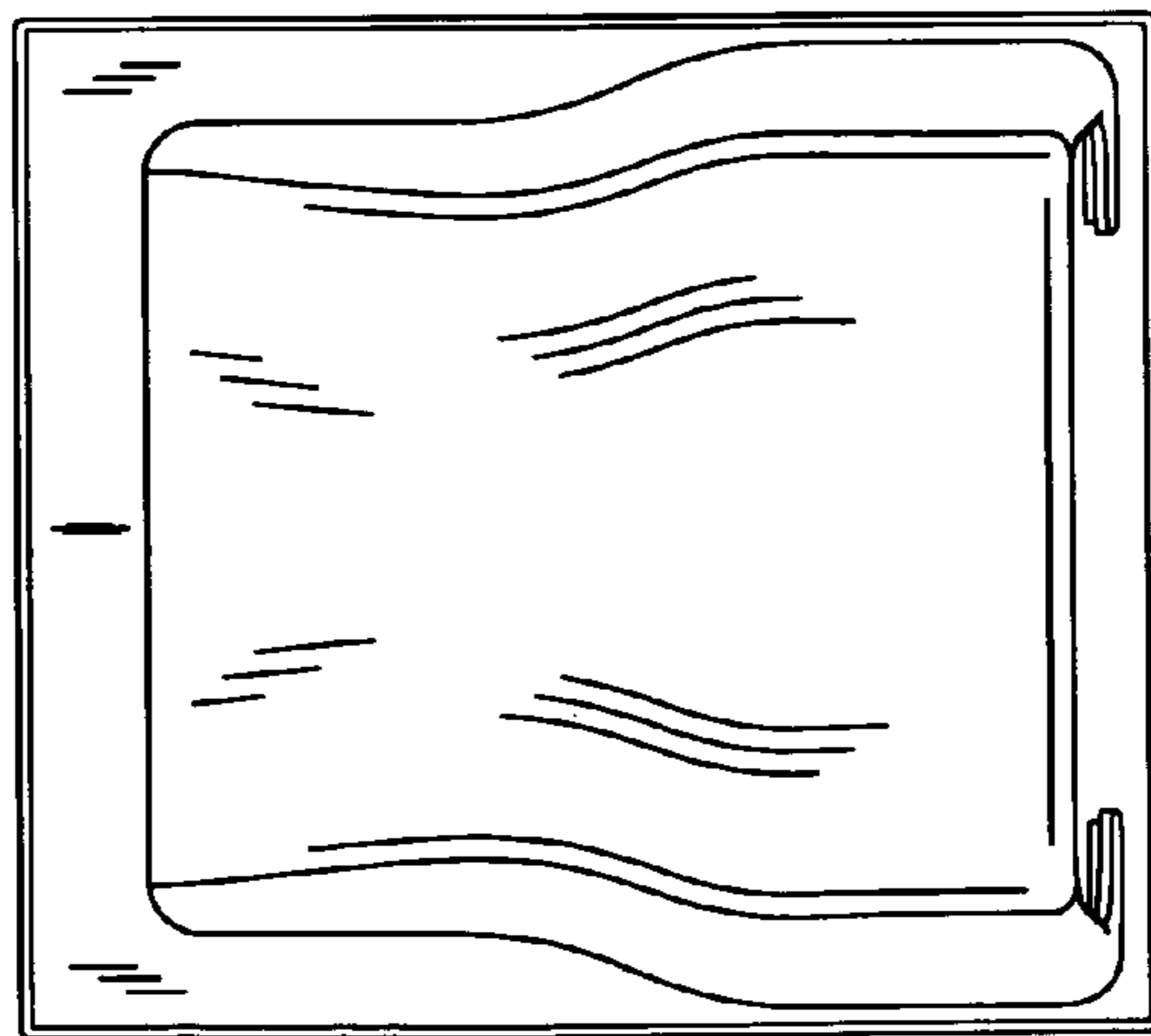


FIG. 3

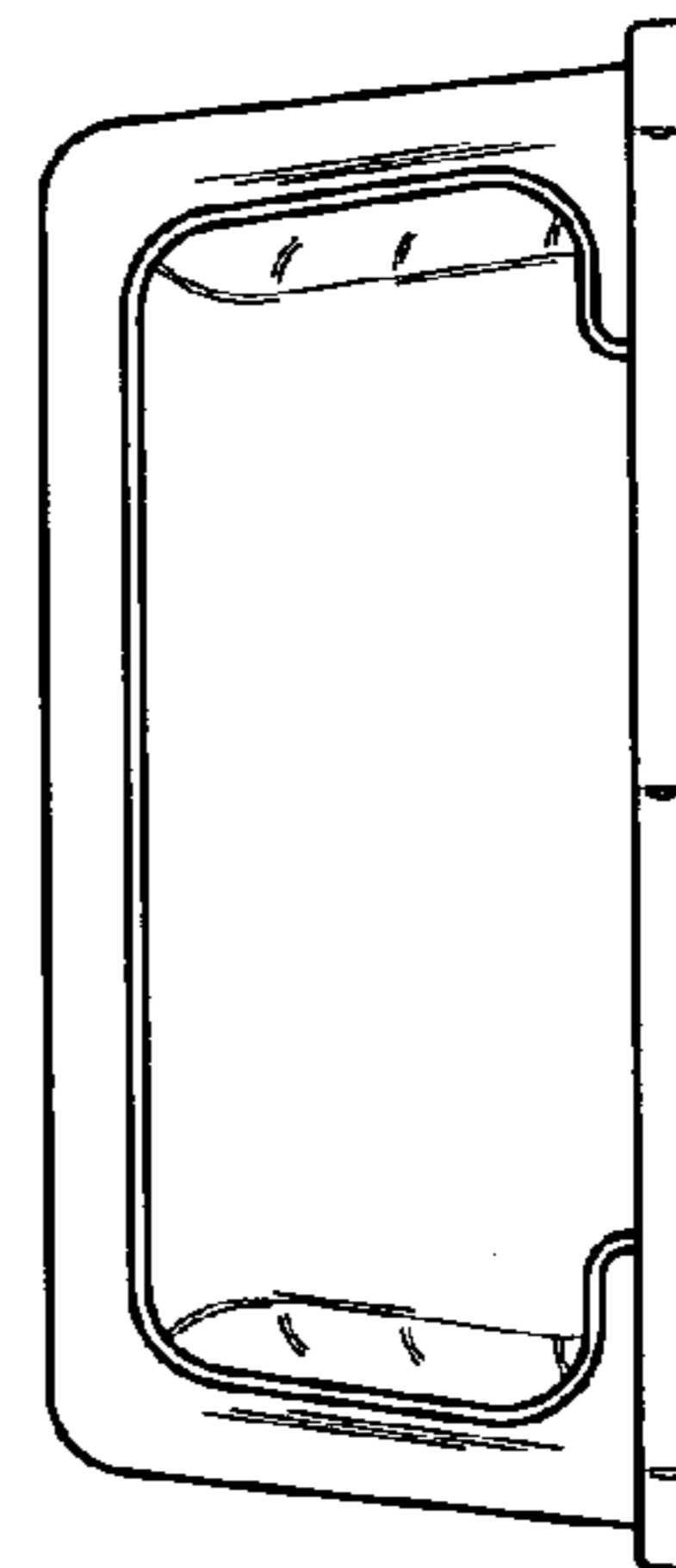
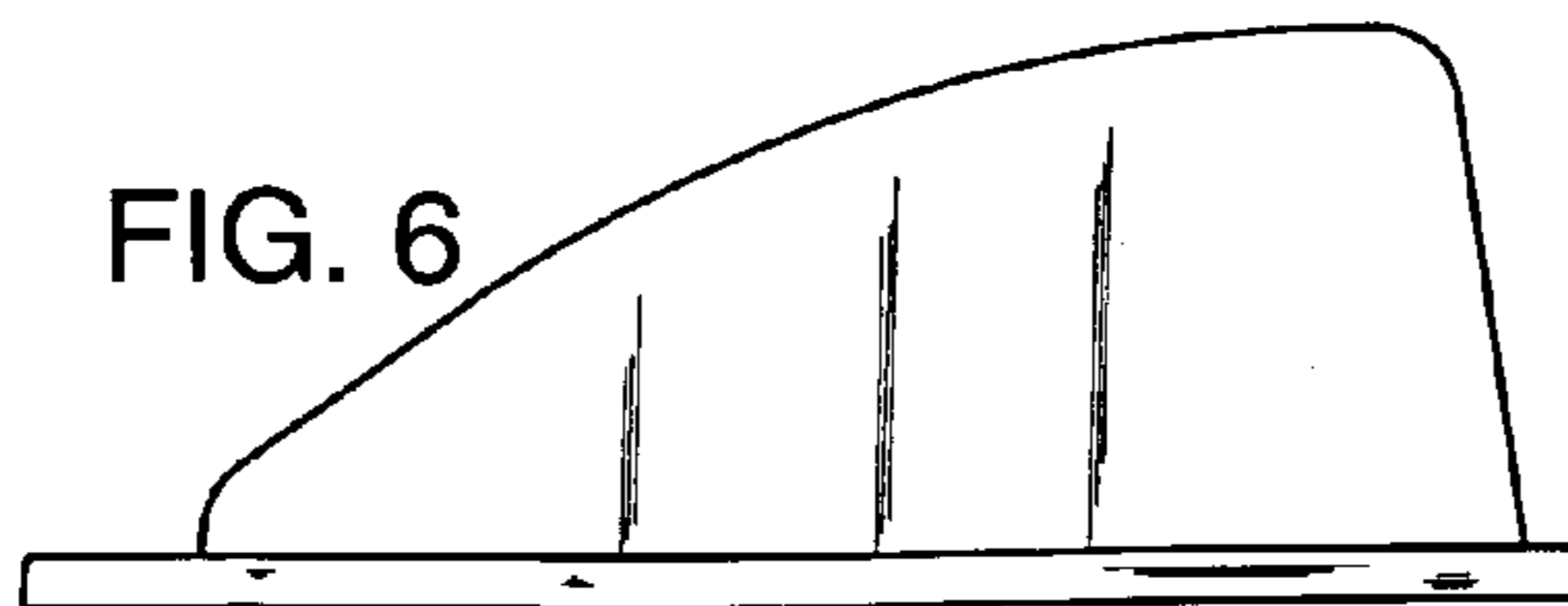


FIG. 5

FIG. 6



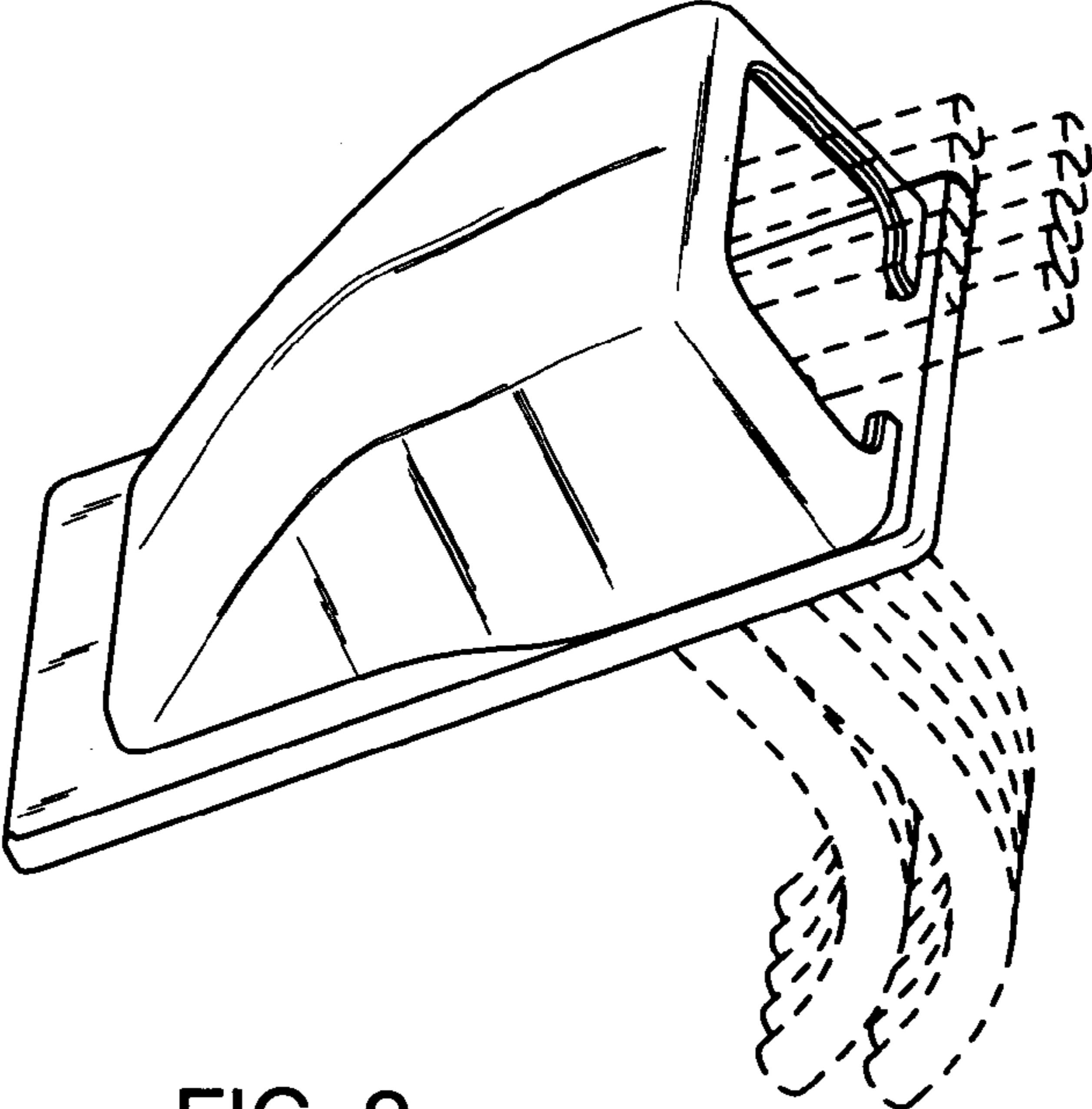


FIG. 9

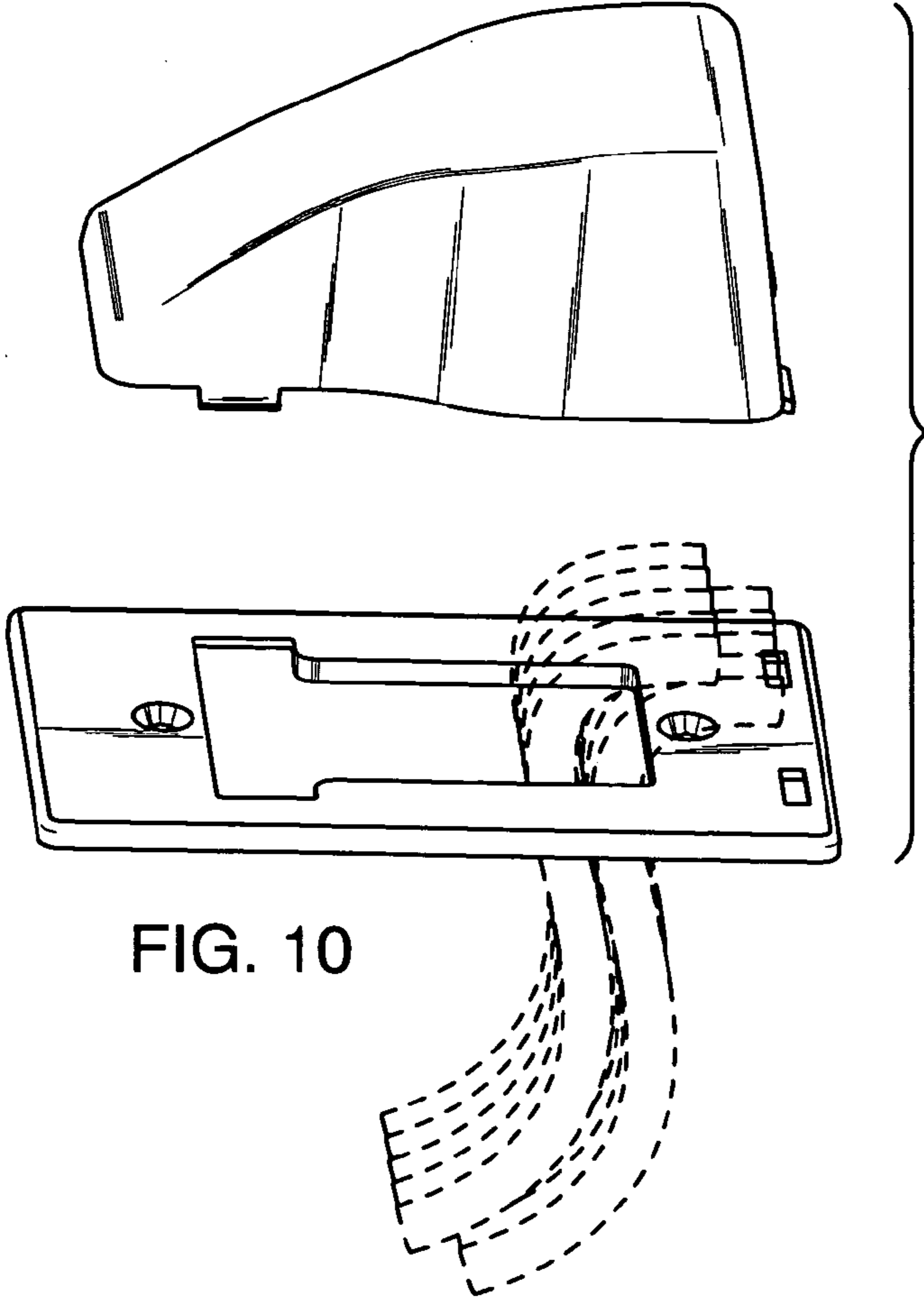


FIG. 10

FIG. 16

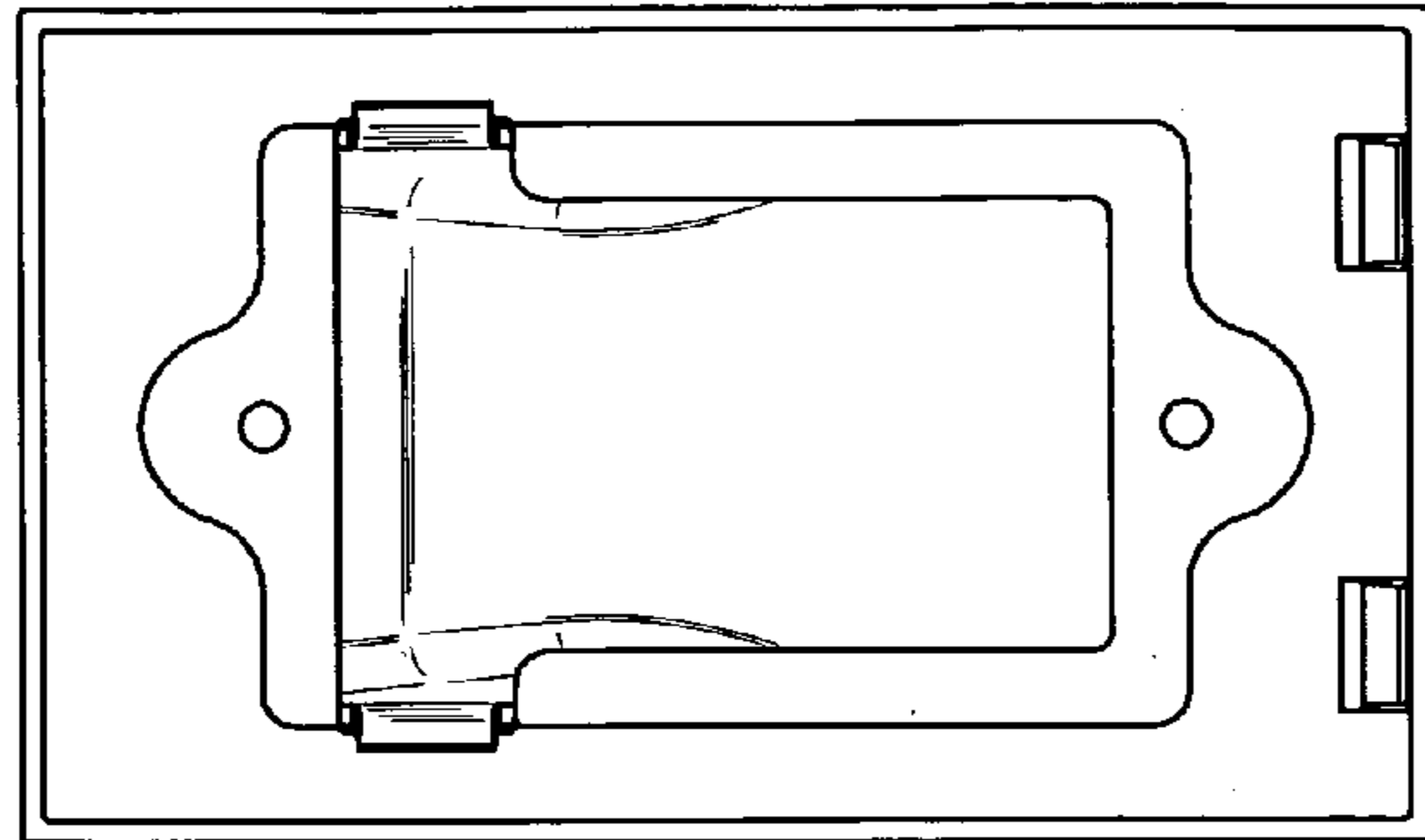


FIG. 15

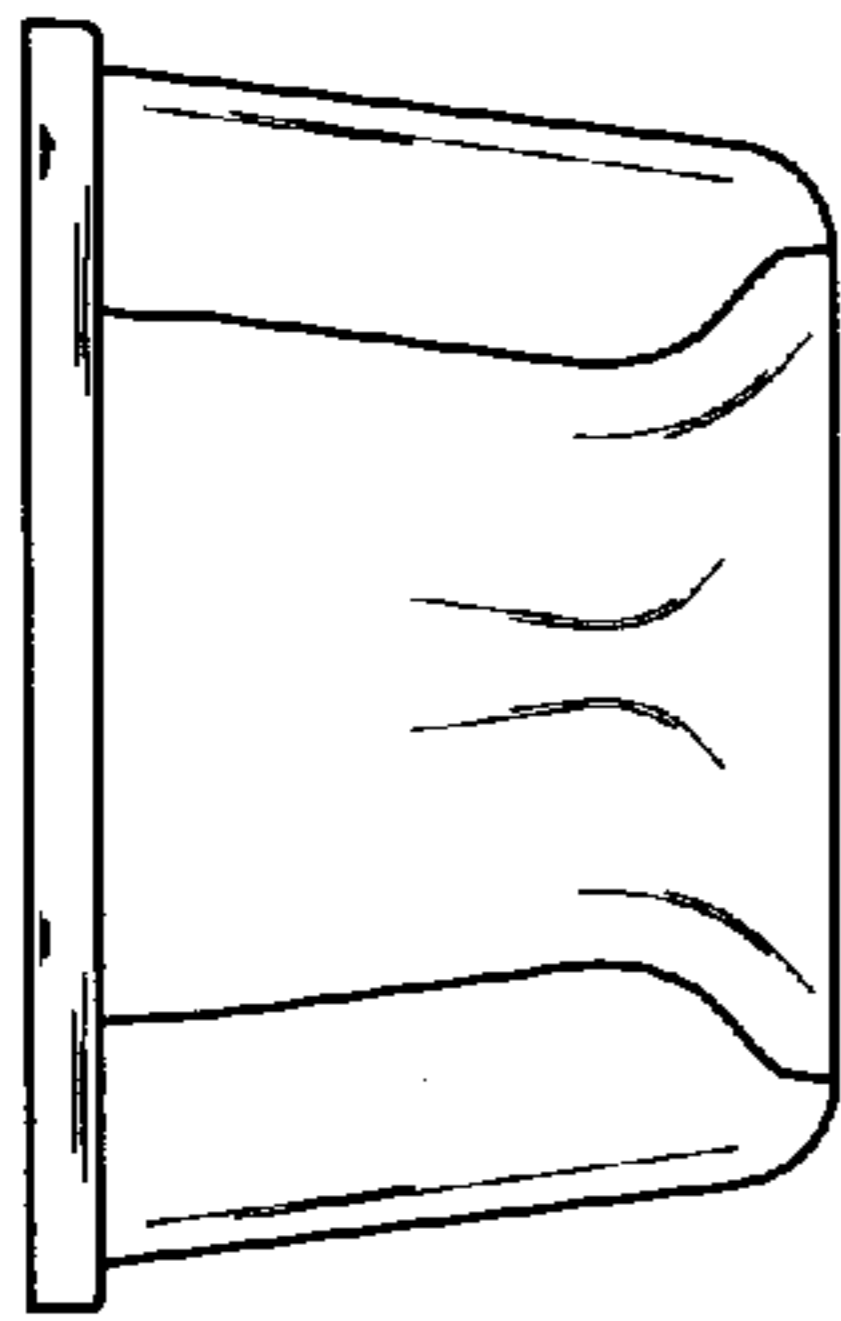
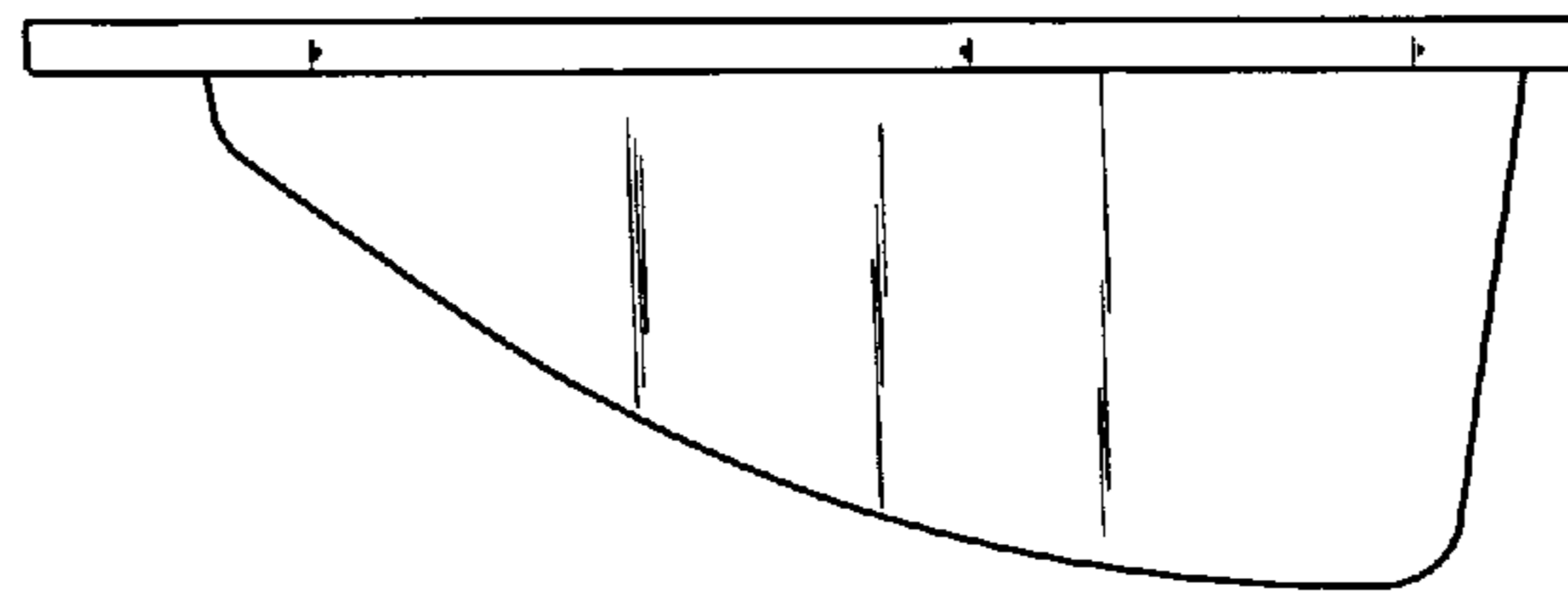


FIG. 12

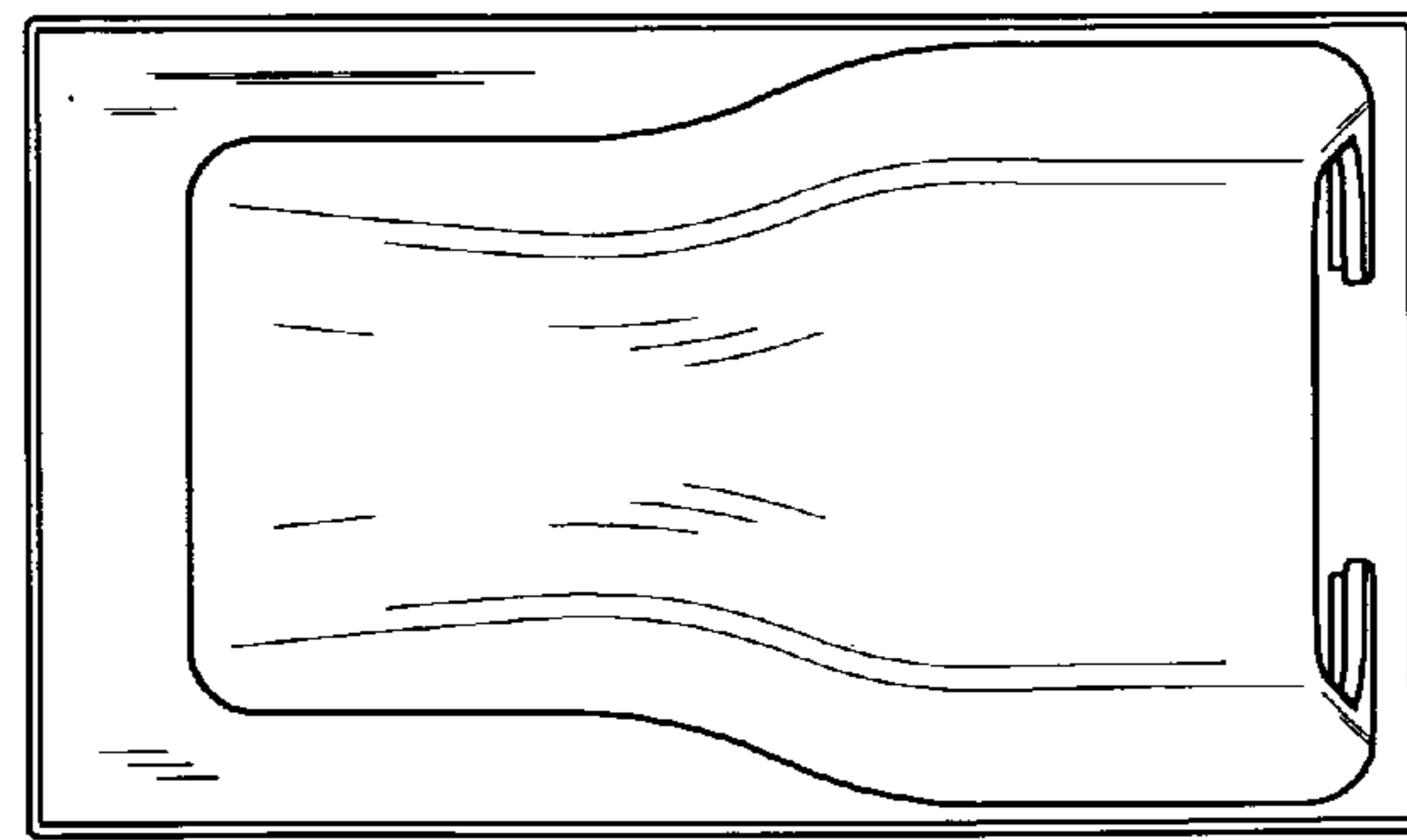


FIG. 11

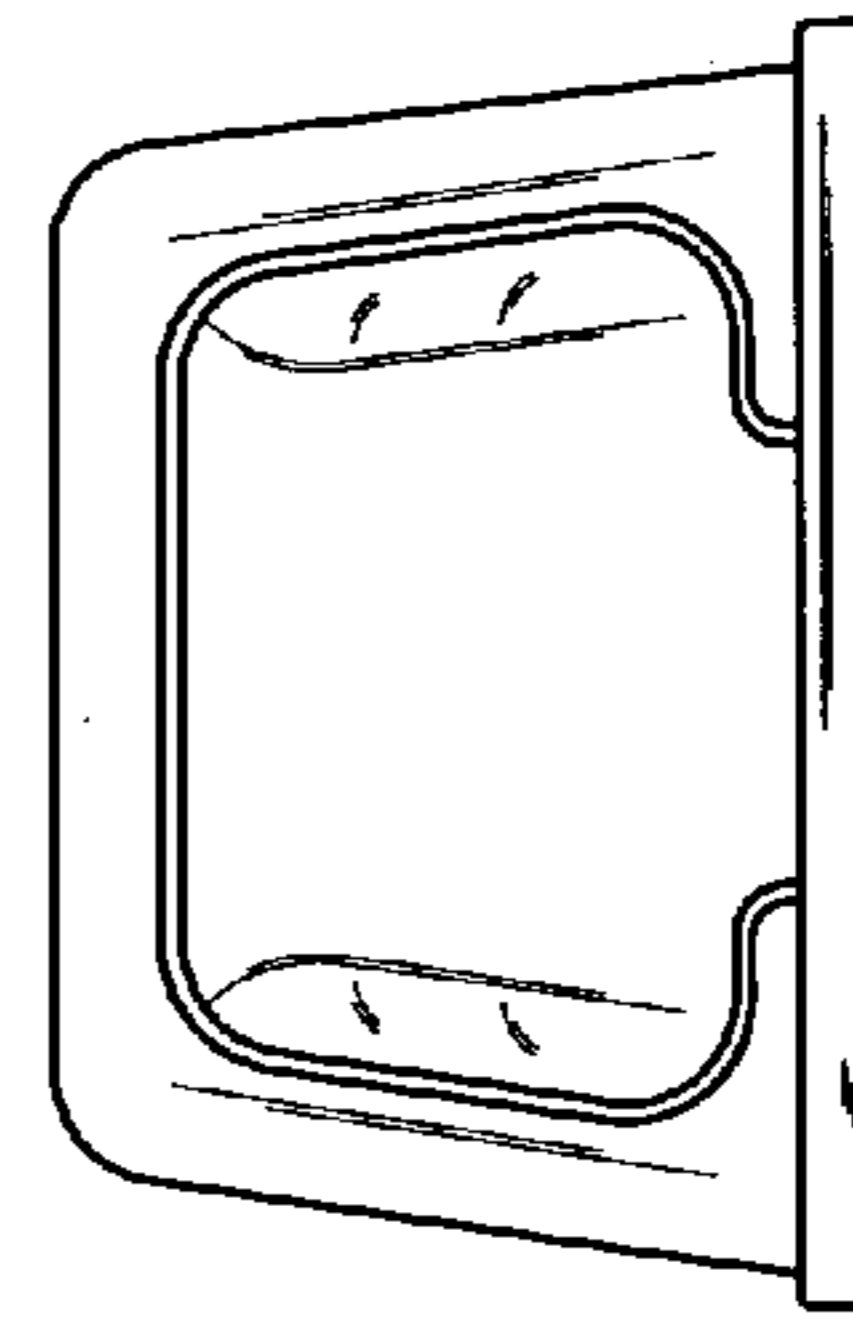


FIG. 13

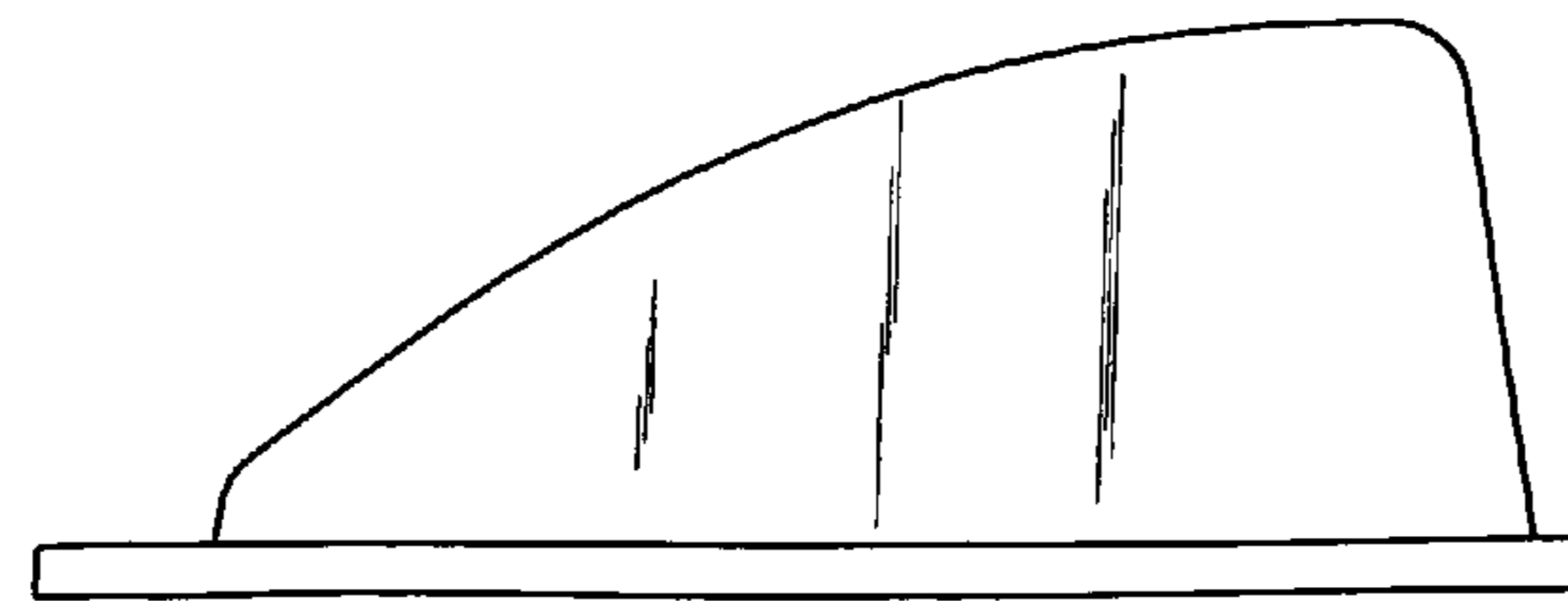


FIG. 14