



US00D577278S

(12) **United States Design Patent**
Rohde et al.

(10) **Patent No.:** **US D577,278 S**
(45) **Date of Patent:** **** Sep. 23, 2008**

(54) **LOCK**

(75) Inventors: **Christopher Rohde**, West Allis, WI (US); **John Blomstrom**, DePere, WI (US); **Jesse Marcelle**, Muskego, WI (US); **Scott Stevens**, Cudahy, WI (US)

2,956,430 A	10/1960	Simmons	
3,263,463 A	8/1966	Duval	
3,400,564 A	9/1968	Glass	
3,529,456 A	9/1970	McWilliams	
3,750,431 A *	8/1973	Atkinson	70/21
3,882,703 A	5/1975	Hermann	
D243,150 S	1/1977	Dykes	

(73) Assignee: **Master Lock Company LLC**, Oak Creek, WI (US)

(Continued)

(**) Term: **14 Years**

FOREIGN PATENT DOCUMENTS

(21) Appl. No.: **29/285,856**

GB 2246162 1/1992

(22) Filed: **Apr. 13, 2007**

(Continued)

(51) **LOC (8) Cl.** **08-07**

Primary Examiner—Prabhakar Deshmukh
(74) *Attorney, Agent, or Firm*—Calfee, Halter Griswold LLP

(52) **U.S. Cl.** **D8/334; D8/343; D8/346**

(57) **CLAIM**

(58) **Field of Classification Search** D8/330,
D8/331, 334, 336, 343, 346; 70/14, 20, 24,
70/25, 31, 35, 38 A, 51–56, 91, 141, DIG. 3,
70/DIG. 4, DIG. 43, DIG. 56

The ornamental design for a lock, as shown and described.

See application file for complete search history.

DESCRIPTION

(56) **References Cited**

FIG. 1 is a perspective view of a lock showing our new design;
FIG. 2 is a top plan view thereof;
FIG. 3 is a front elevational view thereof;
FIG. 4 is a rear elevational view thereof;
FIG. 5 is a bottom plan view thereof;
FIG. 6 is a right side elevational view thereof; and,
FIG. 7 is a left side elevational view thereof.

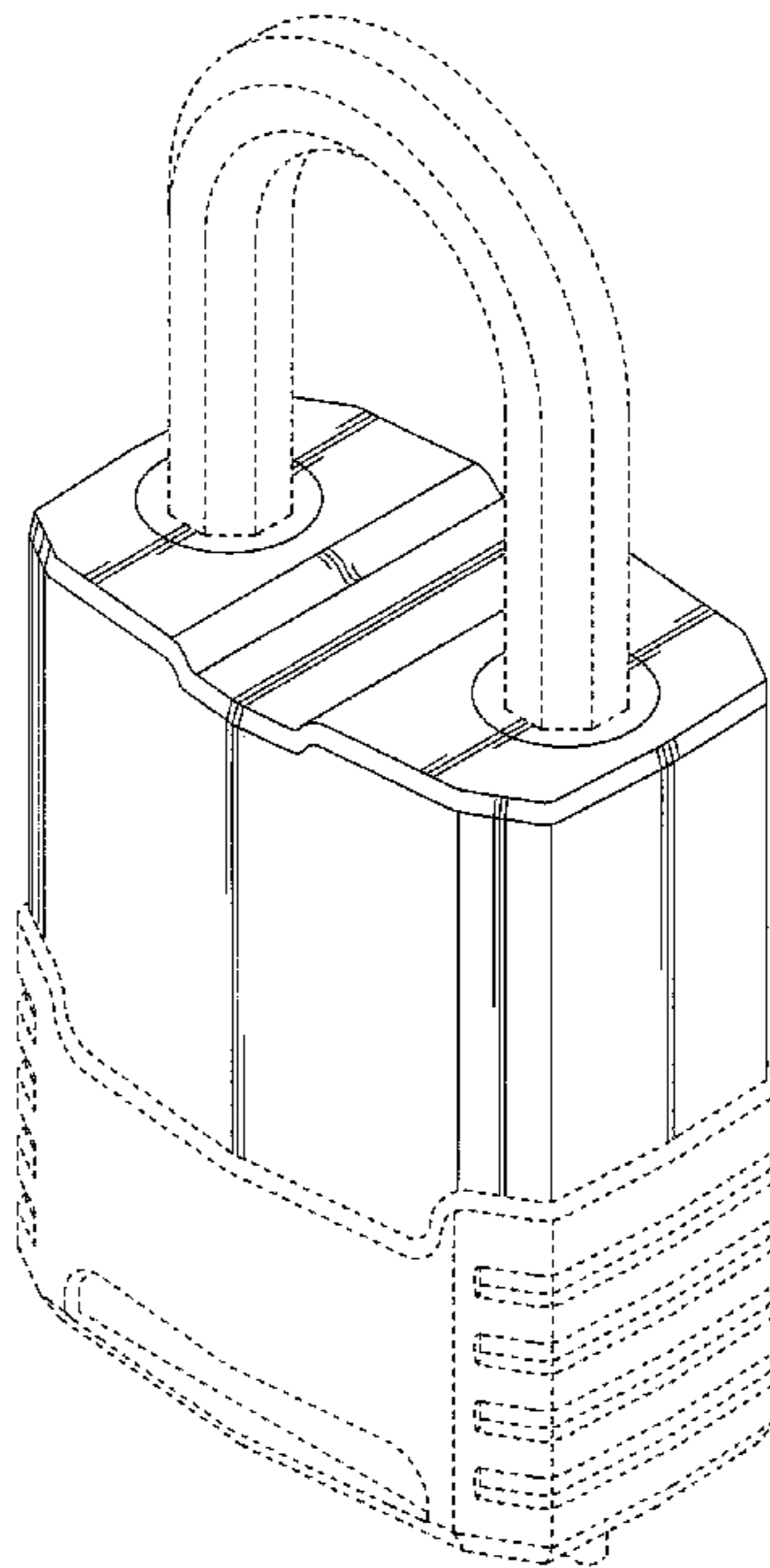
U.S. PATENT DOCUMENTS

453,082 A	5/1891	Hollyday	
952,643 A	3/1910	Roche	
1,560,868 A	11/1925	Shinn	
1,662,612 A	3/1928	Junkunc	
D78,846 S *	6/1929	Soref	D8/334
1,757,387 A	5/1930	Rabkin	
2,036,541 A	4/1936	Ringseis	
D115,761 S *	7/1939	Fraim	D8/334
2,733,590 A	2/1956	Crumb	
2,874,563 A	2/1959	Schlage	
2,904,985 A	9/1959	Murphy	
2,906,112 A	9/1959	Vahlstrom	

The broken lines, which define the bounds of the claimed design, form no part thereof.

The broken lines environmental are for illustrative purpose only and from no part of the claimed design.

1 Claim, 4 Drawing Sheets



US D577,278 S

Page 2

U.S. PATENT DOCUMENTS

4,218,902 A 8/1980 Druschel
4,224,813 A 9/1980 Hampton
4,226,100 A 10/1980 Hampton
4,297,861 A 11/1981 Dykes
4,317,344 A 3/1982 Barnard
4,651,543 A 3/1987 Liu
4,790,163 A 12/1988 Appelbaum
5,033,279 A 7/1991 Lebrecht
5,156,029 A 10/1992 Heald
D342,010 S 12/1993 Lebrecht
5,587,702 A 12/1996 Chadfield
5,638,707 A 6/1997 Gould
5,761,935 A 6/1998 Adelmeyer
D400,078 S 10/1998 Adelmeyer
D402,878 S 12/1998 Liu
D408,262 S 4/1999 Liu
5,946,957 A 9/1999 Yamamoto
D423,324 S 4/2000 Liu

D425,398 S 5/2000 Fiegenger et al.
D432,393 S 10/2000 Gast
D435,428 S 12/2000 Ling
D449,510 S 10/2001 Liu
D450,560 S 11/2001 Yu
6,397,647 B1 6/2002 Kuo
6,705,134 B2 * 3/2004 Miranda 70/52
6,708,533 B2 * 3/2004 Lavikainen et al. 70/38 A
6,769,277 B1 * 8/2004 Chang 70/52
6,813,914 B2 * 11/2004 Chen 70/50
D516,896 S * 3/2006 Kearns et al. D8/334
D537,704 S * 3/2007 Van Handel D8/346
D547,161 S * 7/2007 Blomstrom et al. D8/334
D558,025 S * 12/2007 Rohde et al. D8/334
2004/0055342 A1 3/2004 Chen

FOREIGN PATENT DOCUMENTS

JP 02164986 6/1990

* cited by examiner

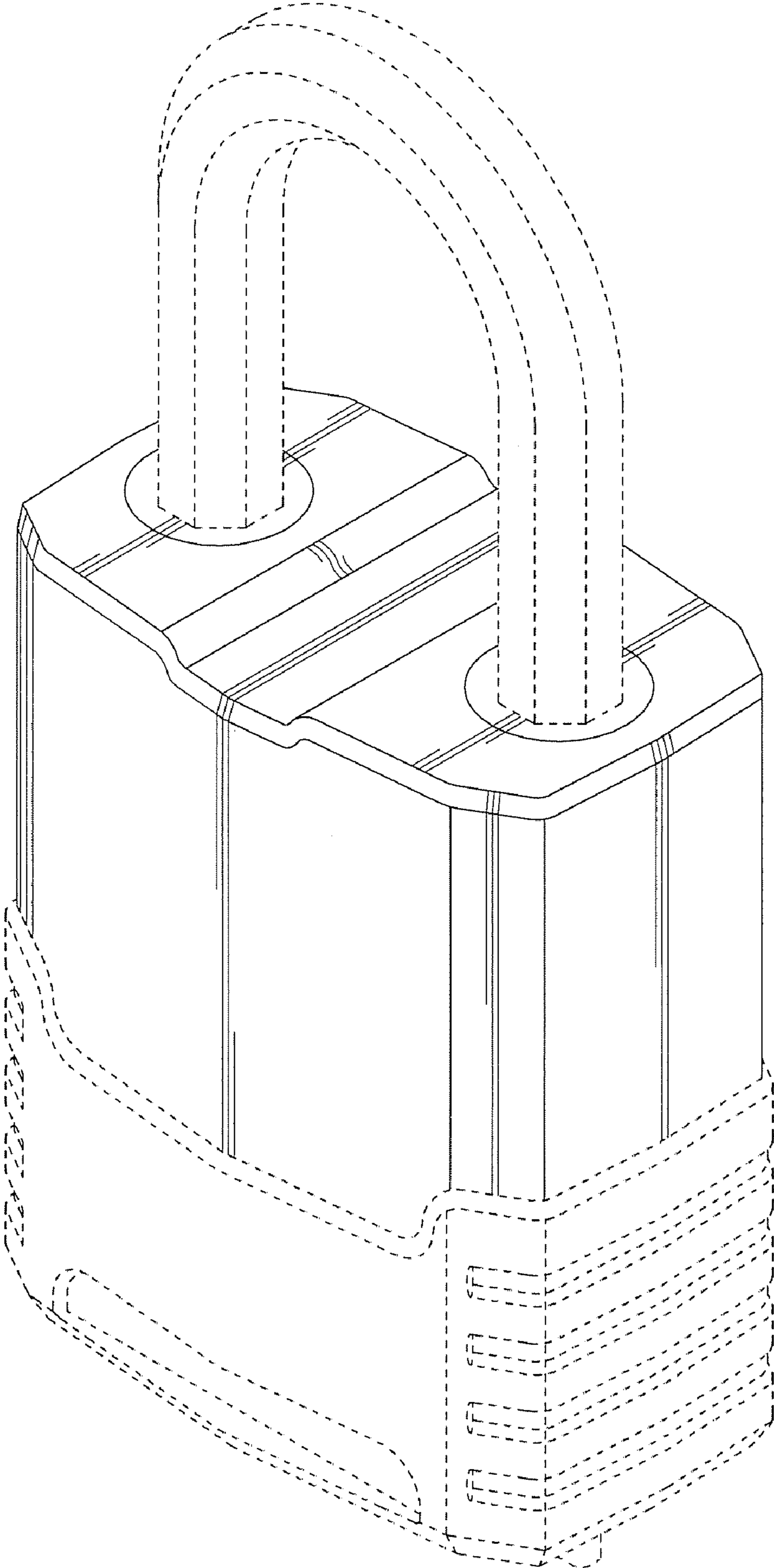


FIG. 1

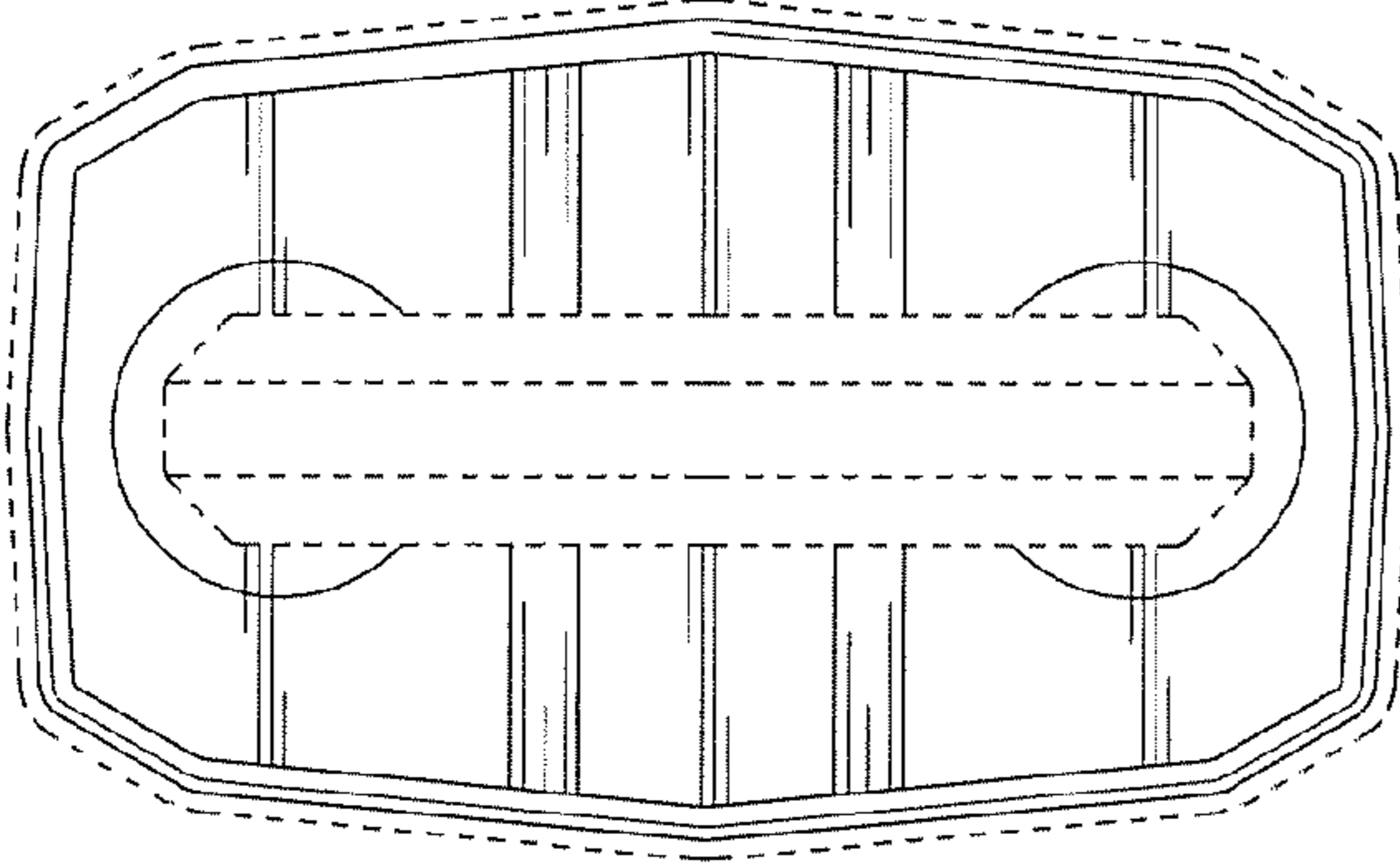


FIG. 2

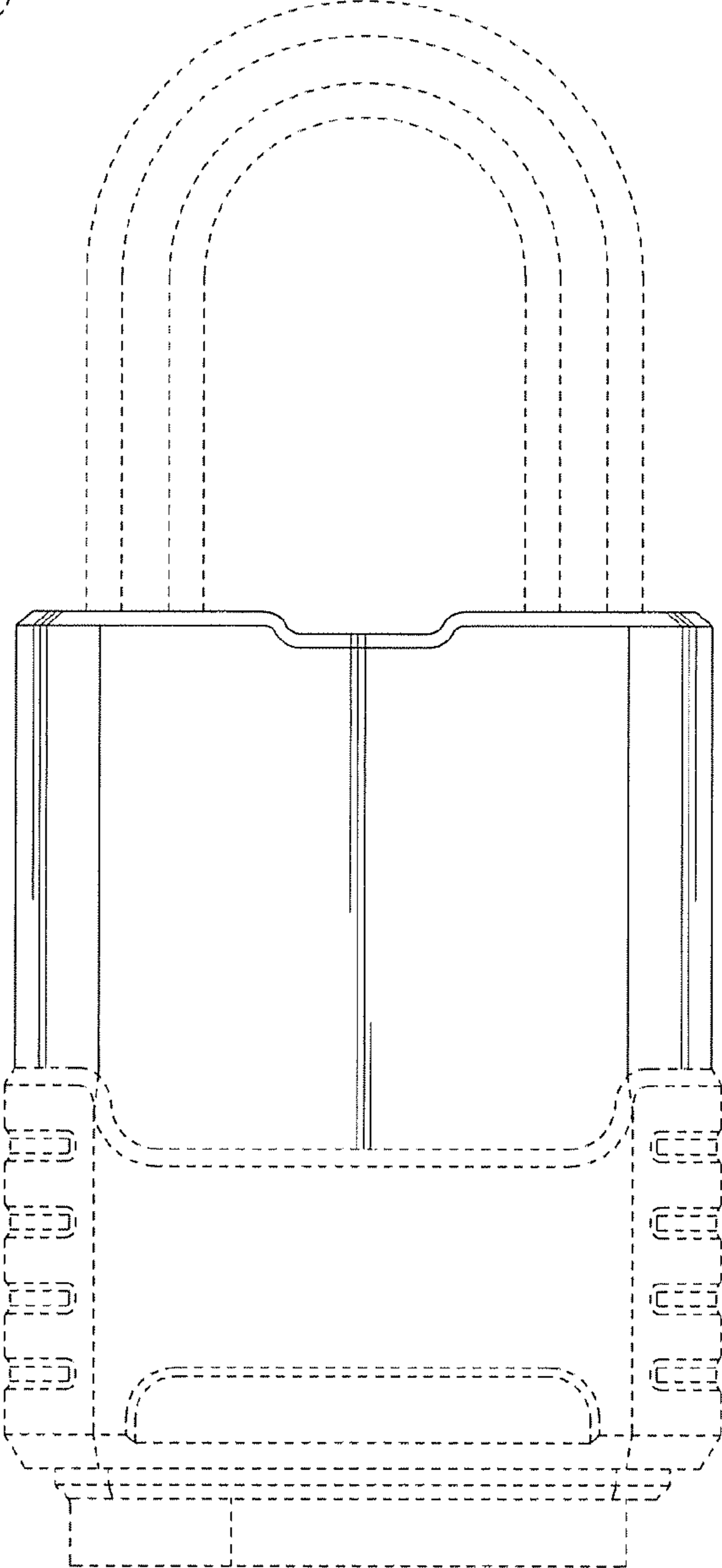


FIG. 3

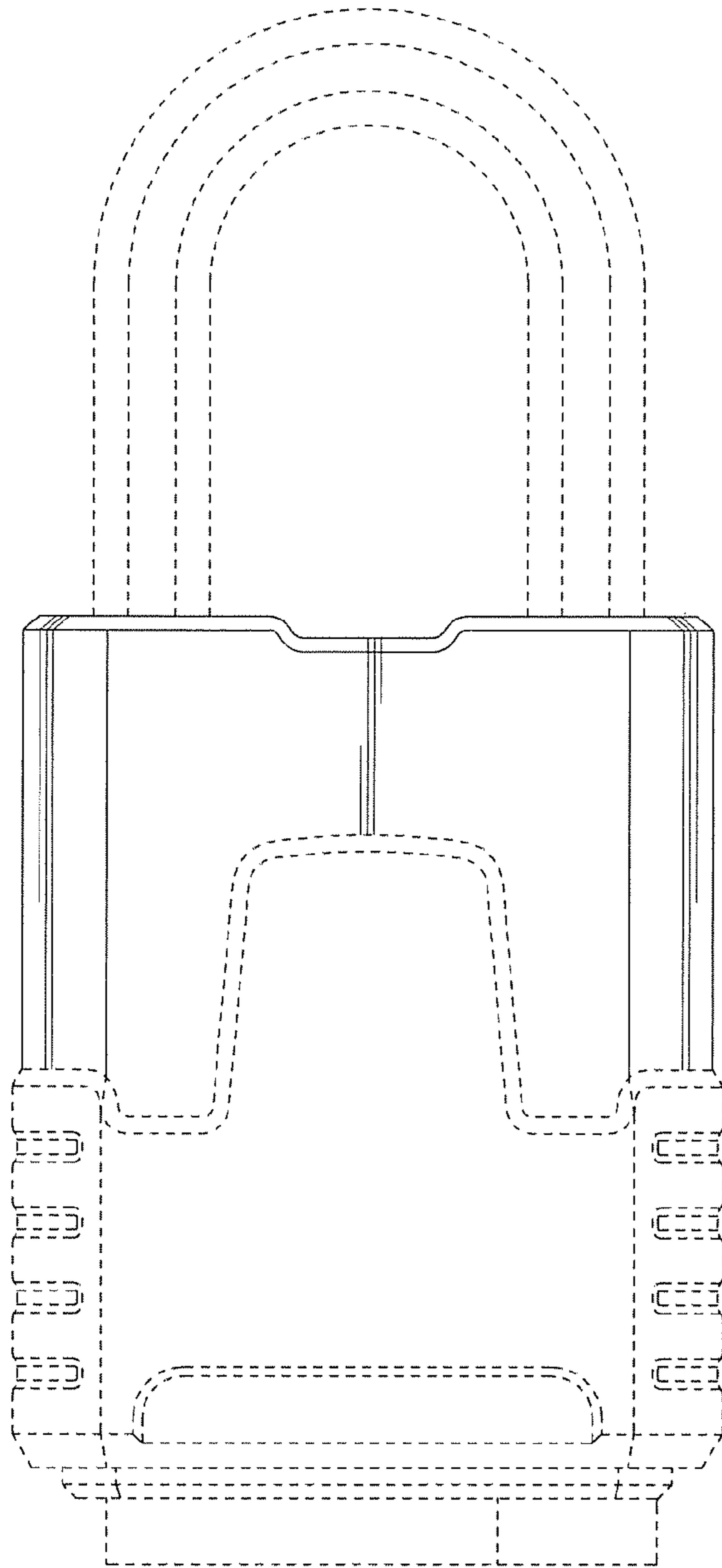


FIG. 4

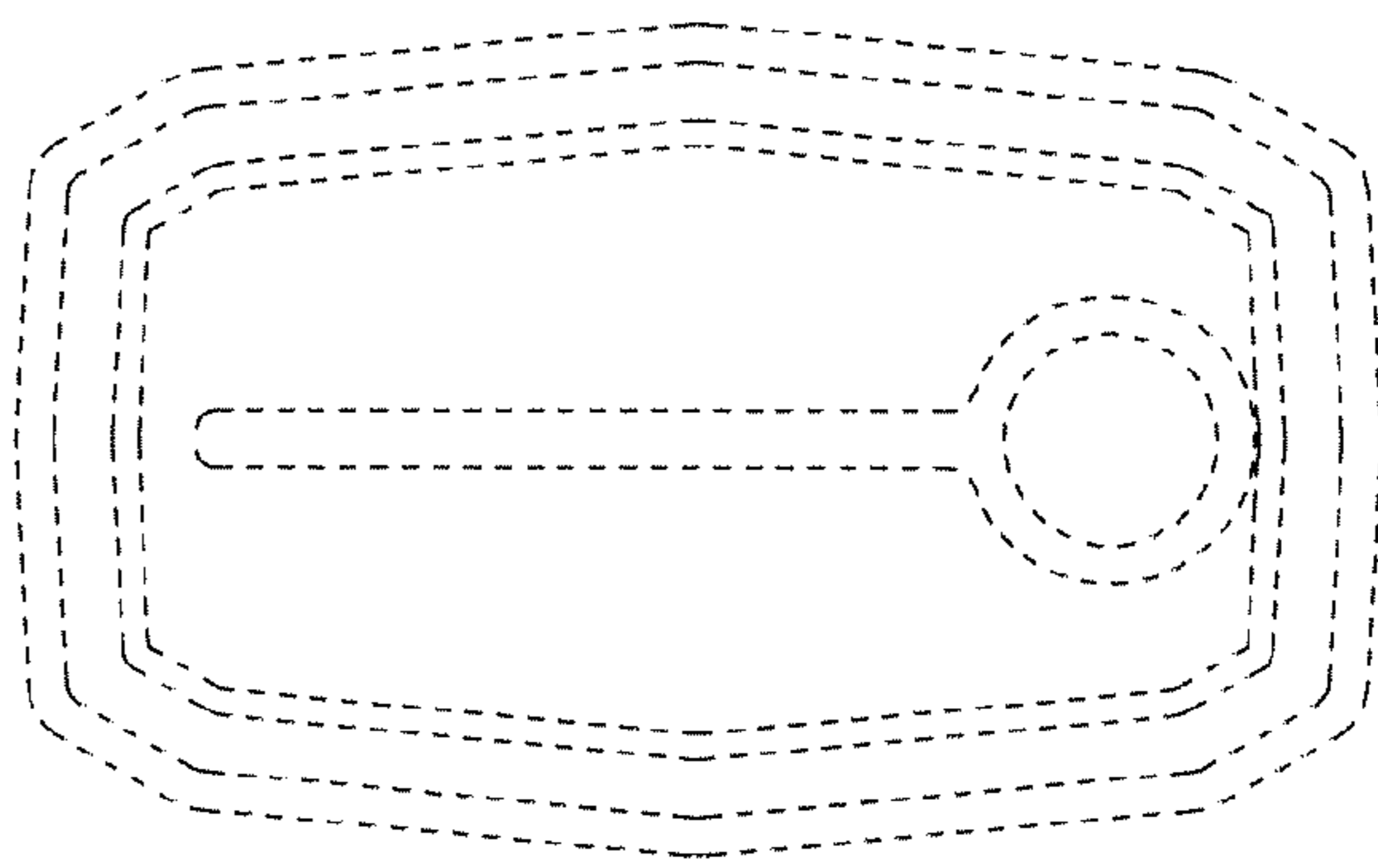


FIG. 5

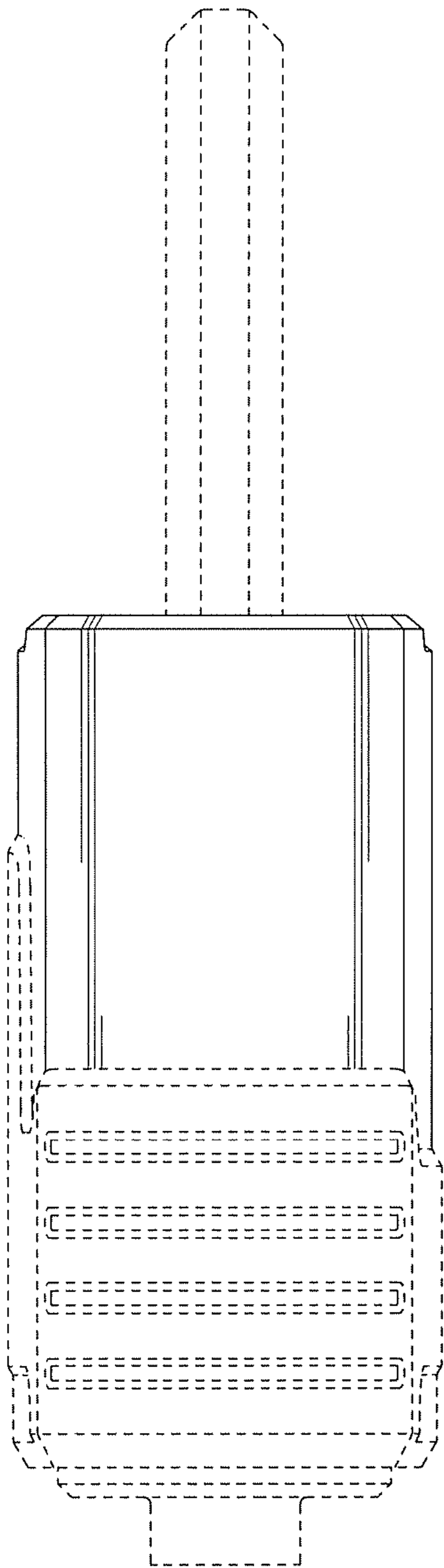


FIG. 6

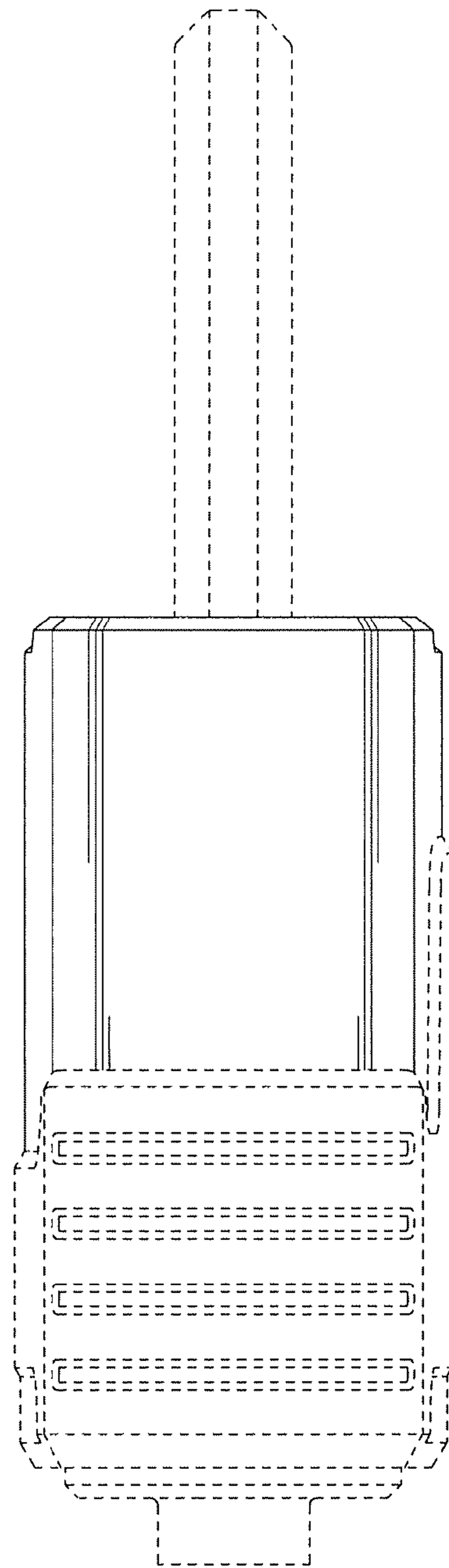


FIG. 7