



US00D577275S

(12) **United States Design Patent**  
**Visconti et al.**

(10) **Patent No.:** **US D577,275 S**

(45) **Date of Patent:** **\*\* Sep. 23, 2008**

(54) **ENVELOPE OPENER**

(75) Inventors: **Frank J. Visconti**, Manchester, MO (US); **John G. Goessling, Jr.**, St. Louis, MO (US)

(73) Assignee: **Quick Point, Inc.**, Fenton, MO (US)

(\*\*) Term: **14 Years**

(21) Appl. No.: **29/282,413**

(22) Filed: **Jul. 19, 2007**

(51) **LOC (8) Cl.** ..... **08-03**

(52) **U.S. Cl.** ..... **D8/102**

(58) **Field of Classification Search** ..... D8/107, D8/102, 103, 104, 48, 99, 98, 41; D19/65; 30/DIG. 3, 294, 280; 254/28; 7/160; 16/DIG. 24; 606/170; 227/76

See application file for complete search history.

(56) **References Cited**

**U.S. PATENT DOCUMENTS**

4,176,743	A	12/1979	Fitzpatrick	
D306,394	S *	3/1990	Koenig	D8/102
D329,584	S *	9/1992	Shevin et al.	D8/102
D329,798	S *	9/1992	Kramer et al.	D8/102
5,285,577	A *	2/1994	Carney et al.	30/294
D350,770	S *	9/1994	Carney et al.	D19/36
D352,217	S	11/1994	Hochfeld et al.	
D365,267	S	12/1995	Goessling, Jr. et al.	
D368,010	S	3/1996	Lage et al.	
D380,365	S *	7/1997	Schmidt	D8/102
D388,306	S	12/1997	Vaught	
D405,674	S	2/1999	Reidenbach	
D409,071	S	5/1999	Reidenbach	
6,003,181	A *	12/1999	Wenk	7/160
D421,889	S *	3/2000	Moore	D8/102
6,163,910	A	12/2000	Cheldin	
D438,440	S	3/2001	Cheldin	
6,286,745	B1	9/2001	Ackeret	
D455,784	S	4/2002	FitzGerald	

6,574,871	B1	6/2003	Visconti
D488,698	S	4/2004	Moore
D501,387	S	2/2005	Huang
6,874,189	B2	4/2005	Ackeret
6,941,604	B2	9/2005	Ackeret
D526,879	S	8/2006	Chudek

\* cited by examiner

*Primary Examiner*—Cathron C. Brooks

*Assistant Examiner*—Austin Murphy

(74) *Attorney, Agent, or Firm*—Polster, Lieder, Woodruff & Lucchesi, L.C.

(57) **CLAIM**

The ornamental design for an letter opener, as shown and described.

**DESCRIPTION**

FIG. 1 is a top, front and right side perspective view of an envelope opener;

FIG. 2 is a front elevational view thereof;

FIG. 3 is a rear elevational view thereof;

FIG. 4 is a left side elevational view thereof;

FIG. 5 is a right side elevational view thereof;

FIG. 6 is a top view thereof;

FIG. 7 is a bottom view thereof;

FIG. 8 is a top, front and right side perspective view of a second embodiment of an envelope opener containing a staple remover;

FIG. 9 is a front elevational view thereof;

FIG. 10 is a rear elevational view thereof;

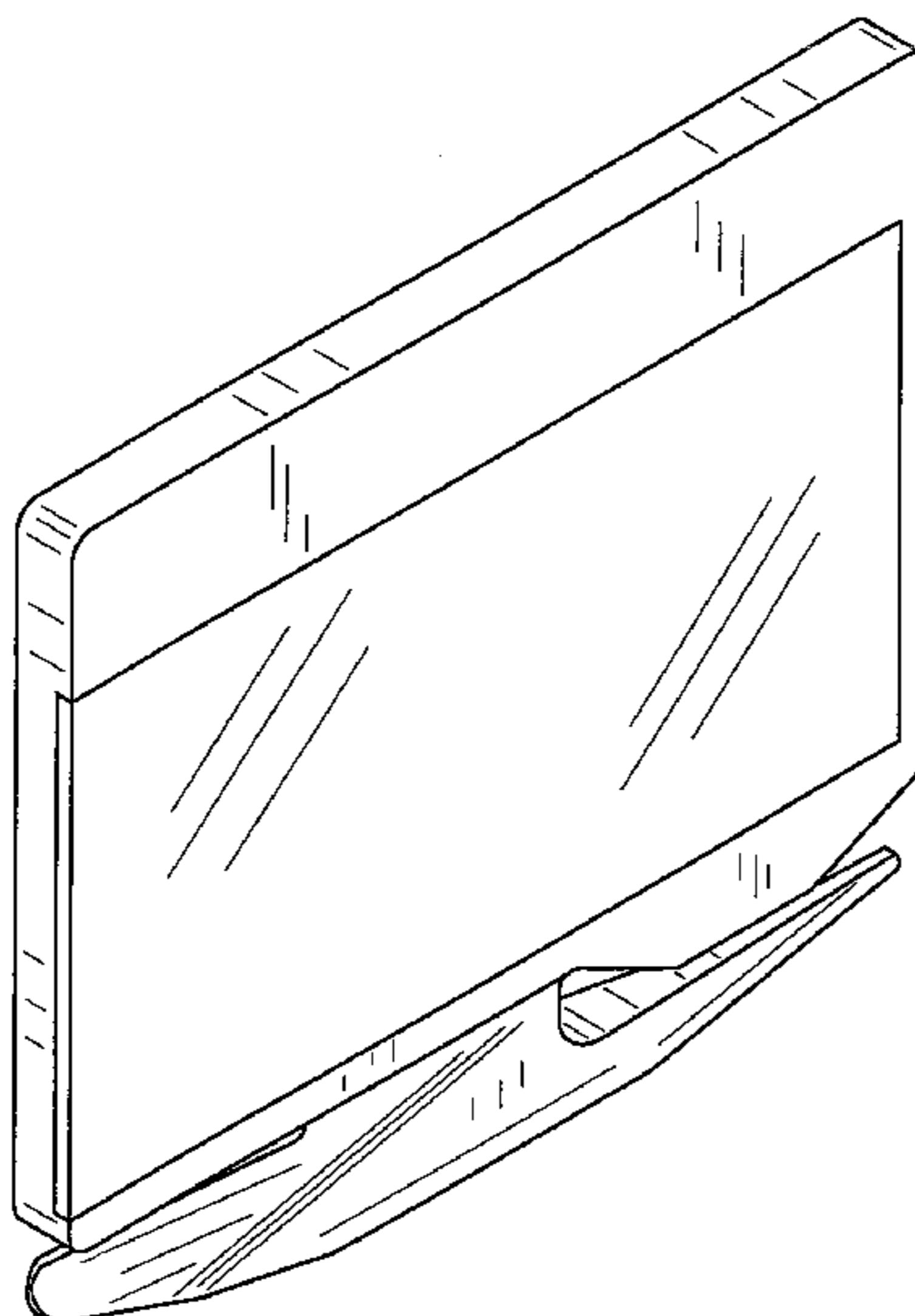
FIG. 11 is a left side elevational view thereof;

FIG. 12 is a right side elevational view thereof;

FIG. 13 is a top view thereof; and,

FIG. 14 is a bottom view thereof.

**1 Claim, 4 Drawing Sheets**



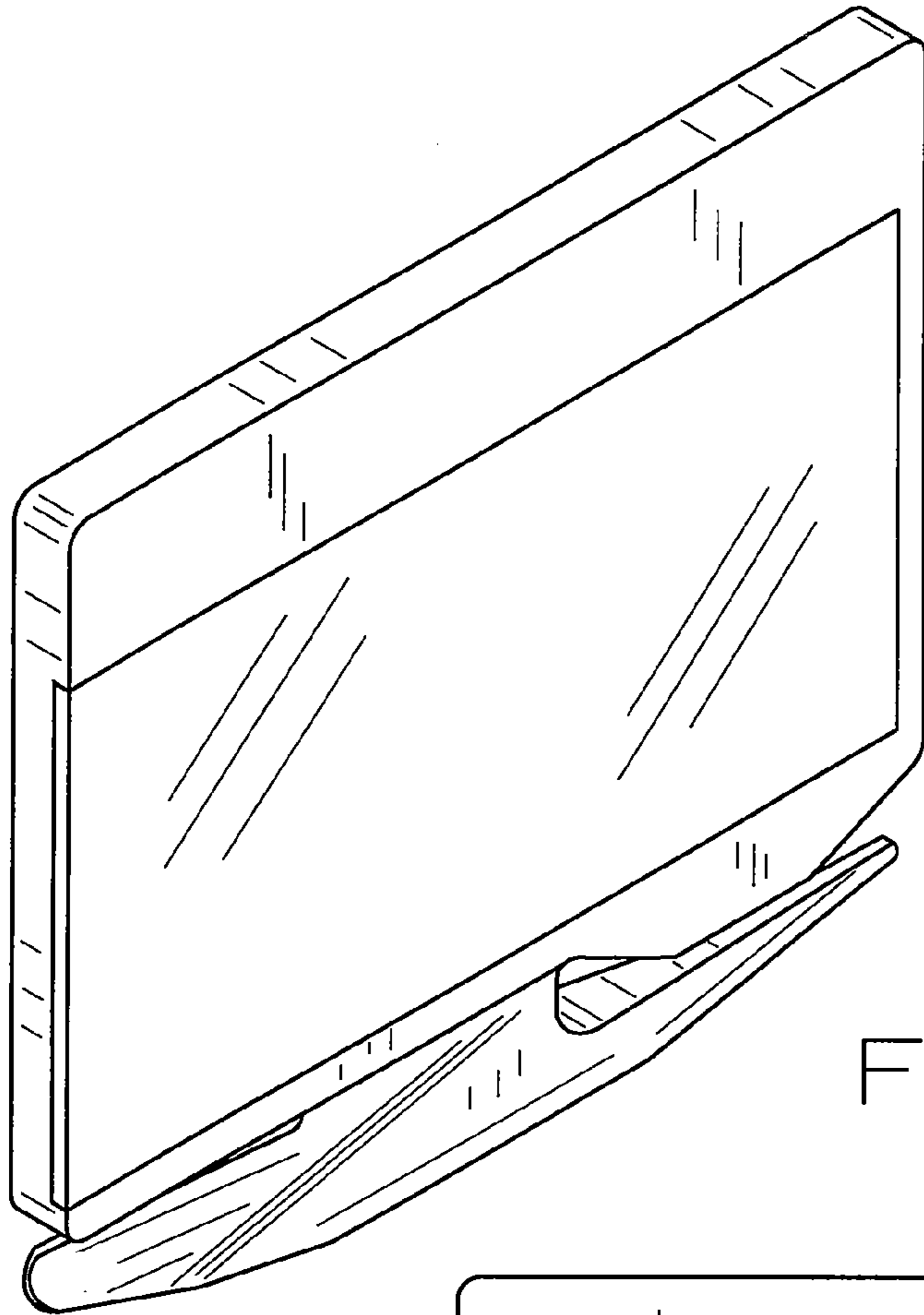


FIG. 1

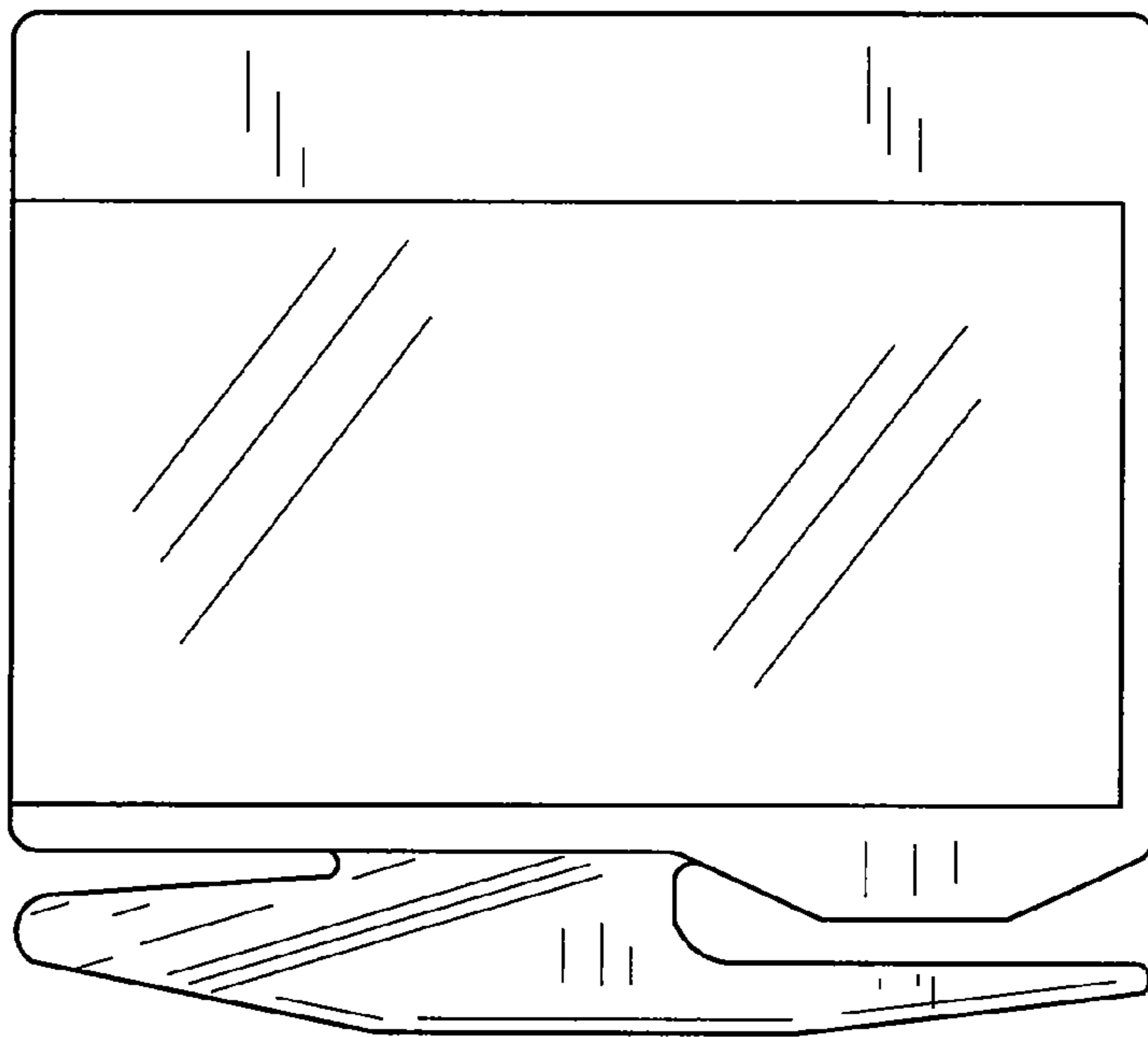


FIG. 2

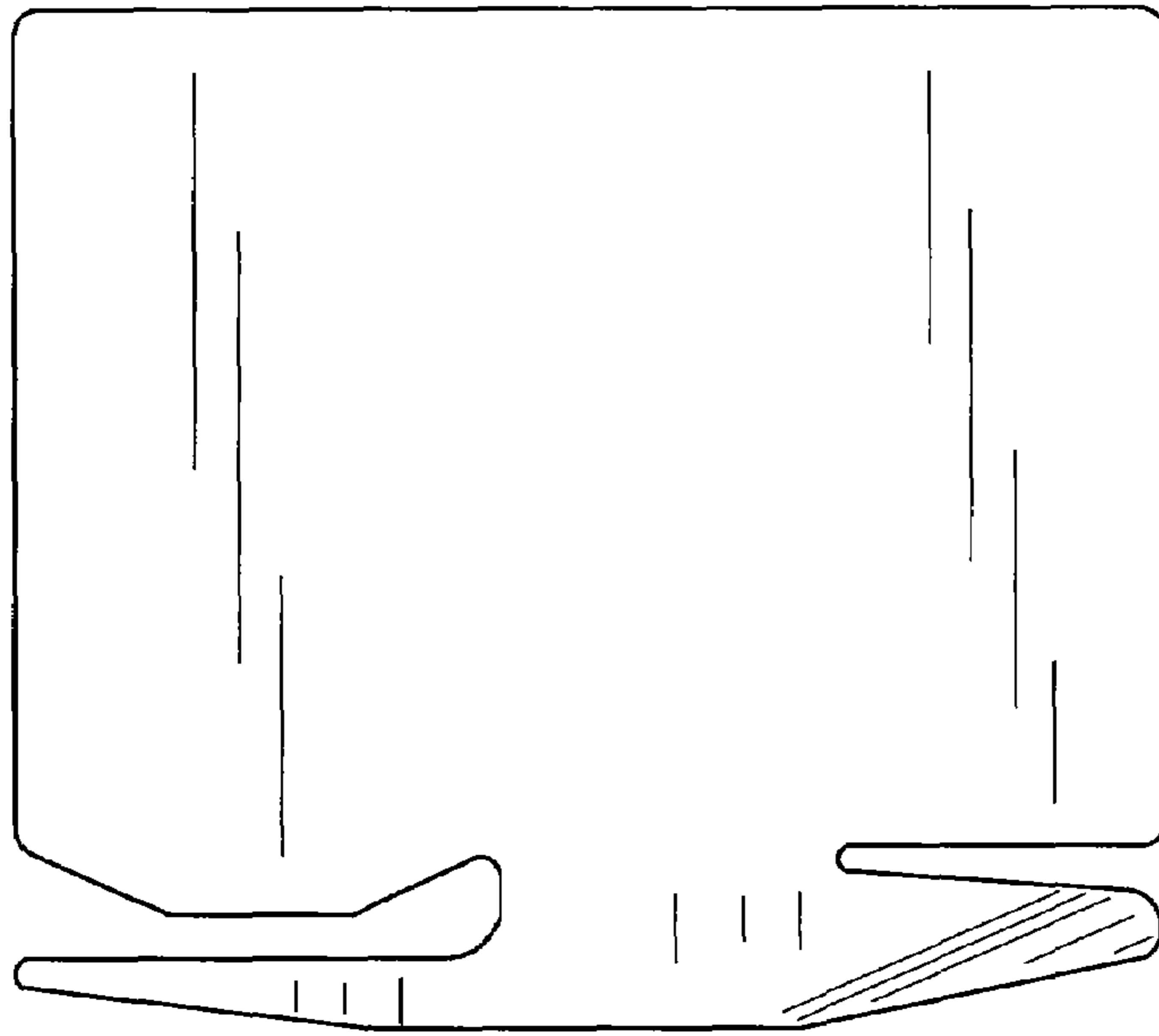


FIG. 3

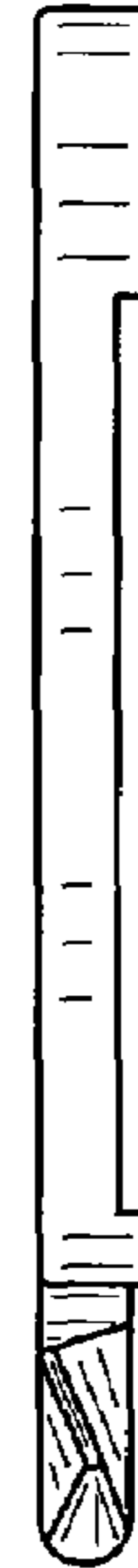


FIG. 4



FIG. 5



FIG. 6

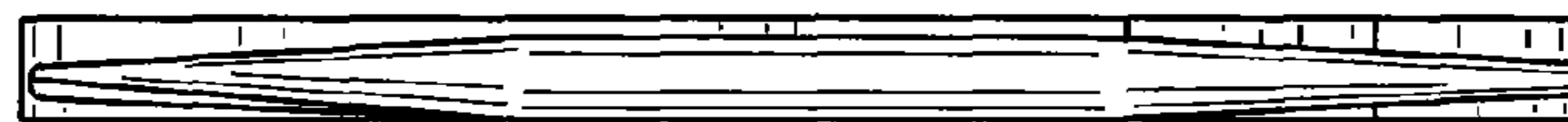


FIG. 7

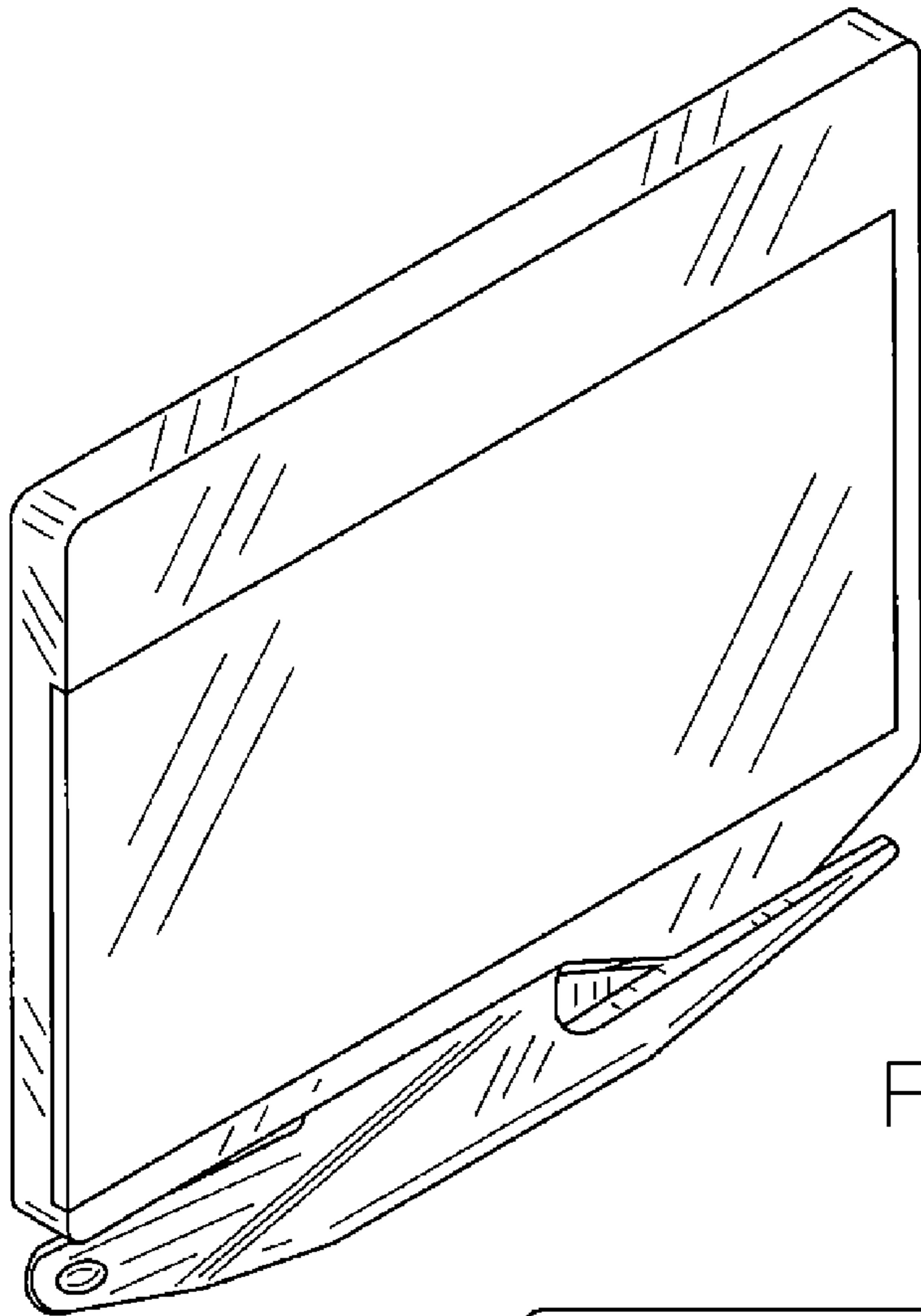


FIG. 8

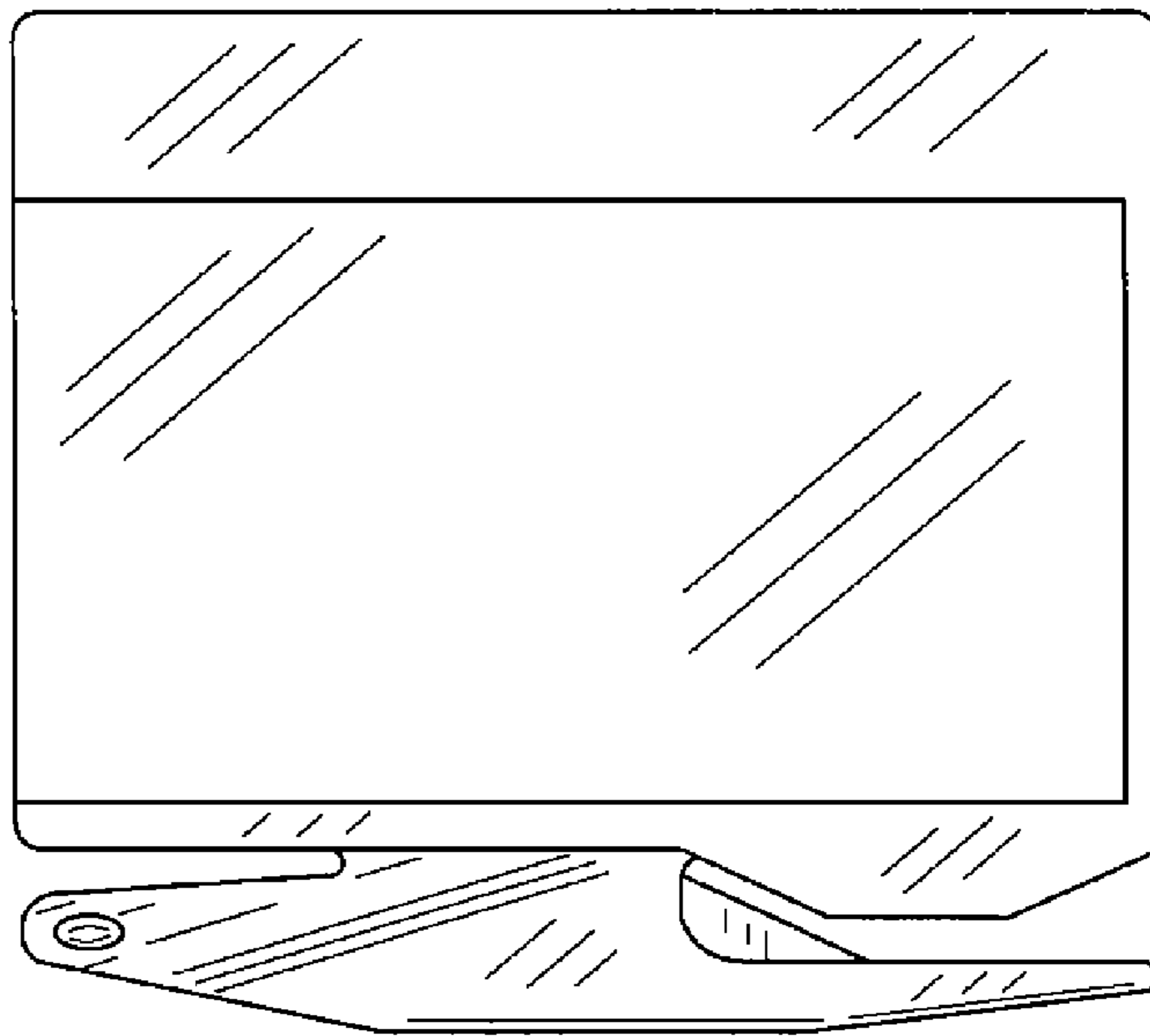


FIG. 9

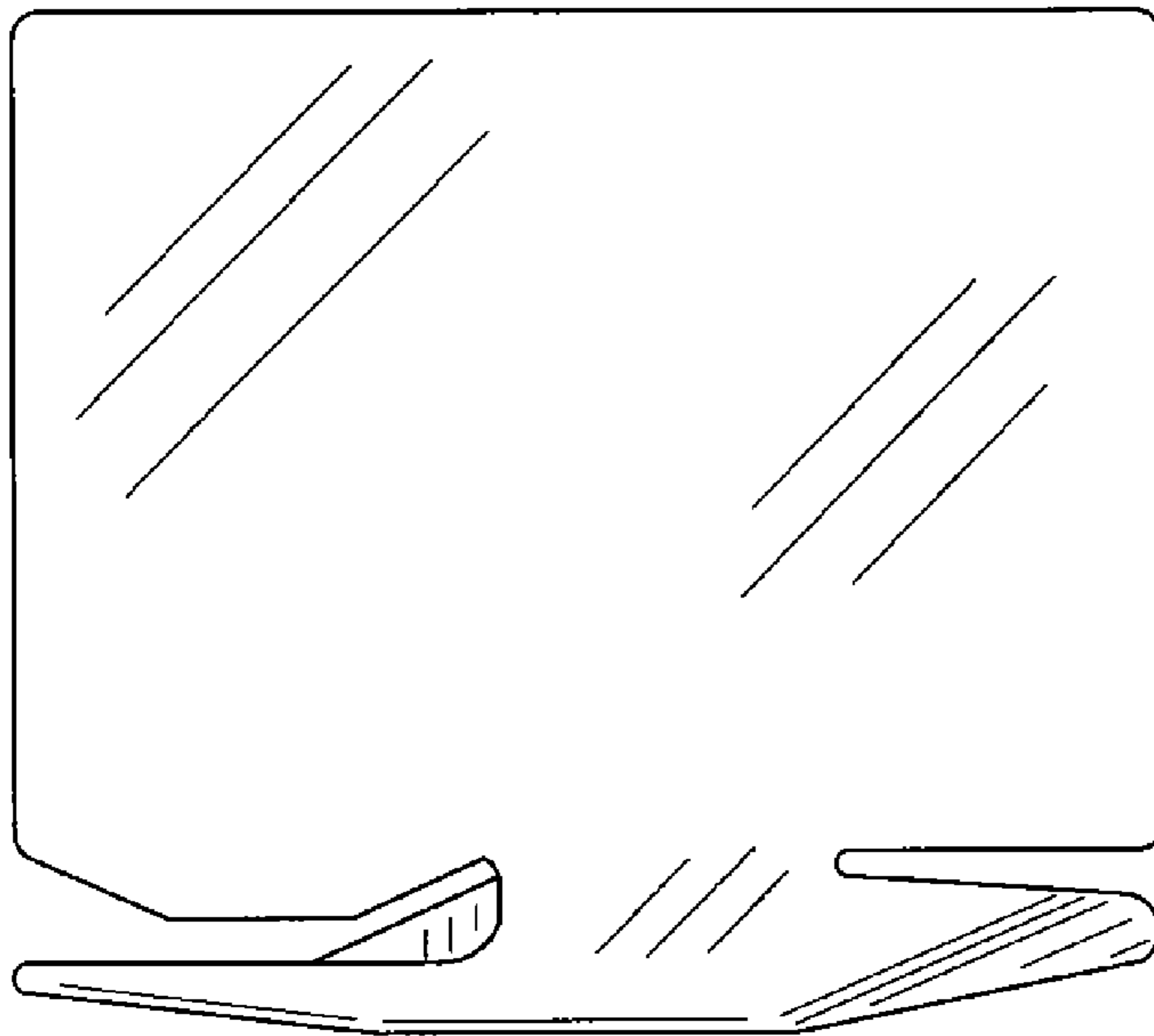


FIG. 10



FIG. 11

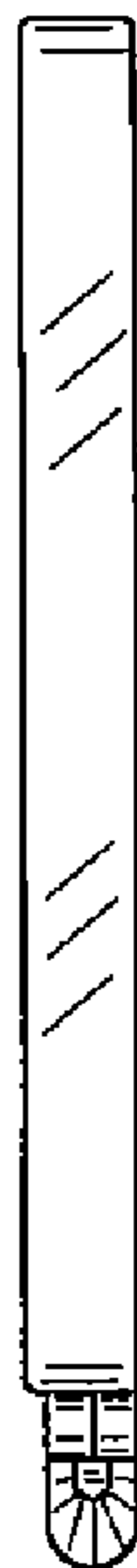


FIG. 12



FIG. 13

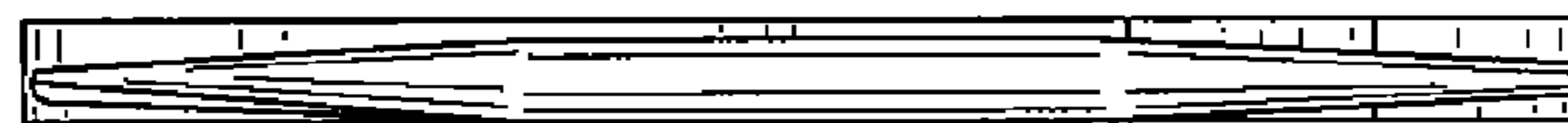


FIG. 14

UNITED STATES PATENT AND TRADEMARK OFFICE  
**CERTIFICATE OF CORRECTION**

PATENT NO. : Des. 577,275 S  
APPLICATION NO. : 29/282413  
DATED : September 23, 2008  
INVENTOR(S) : Frank J. Visconti and John G. Goessling, Jr.

Page 1 of 1

It is certified that error appears in the above-identified patent and that said Letters Patent is hereby corrected as shown below:

Title of Patent  
Replace "ENVELOPE OPENER"  
With --LETTER OPENER--

Signed and Sealed this

Fourteenth Day of July, 2009



JOHN DOLL  
*Acting Director of the United States Patent and Trademark Office*