



US00D577272S

(12) **United States Design Patent**  
**Murray et al.**

(10) **Patent No.:** **US D577,272 S**  
(45) **Date of Patent:** **\*\* Sep. 23, 2008**

(54) **CORDLESS DRILL**  
(75) Inventors: **Thomas W. Murray**, Baltimore, MD  
(US); **Christopher J. Murray**,  
Baltimore, MD (US); **Adam M.**  
**O'Hern**, Baltimore, MD (US)  
(73) Assignee: **Black & Decker Inc.**, Newark, DE (US)  
(\*\*) Term: **14 Years**

D506,914 S \* 7/2005 Okuda ..... D8/68  
D508,837 S \* 8/2005 Andriolo ..... D8/68  
D511,080 S \* 11/2005 Koch et al. .... D8/68  
7,066,691 B2 \* 6/2006 Doyle et al. .... 408/124  
D525,848 S \* 8/2006 Kokawa ..... D8/68  
D527,971 S \* 9/2006 Kokawa ..... D8/68  
D528,392 S \* 9/2006 Koch et al. .... D8/68  
D533,040 S \* 12/2006 Schoen ..... D8/68  
D539,110 S \* 3/2007 Okuda et al. .... D8/68  
7,201,235 B2 \* 4/2007 Umemura et al. .... 173/104  
2005/0249564 A1 \* 11/2005 Van Bergen et al. .... 408/241 R

(21) Appl. No.: **29/265,661**  
(22) Filed: **Sep. 6, 2006**

FOREIGN PATENT DOCUMENTS

GB 2065434 S \* 5/1997  
GB 3001389 S \* 2/2002

(51) **LOC (8) Cl.** ..... **08-01**  
(52) **U.S. Cl.** ..... **D8/68**  
(58) **Field of Classification Search** ..... D8/14.1,  
D8/61-70; 81/57.11, 429, 454-456, 469,  
81/489; 173/13, 104, 114, 168-171, 178,  
173/201, 211, 213, 217; 408/20, 124, 125,  
408/234, 241 R; 451/358; 310/50; 227/8,  
227/113, 114, 120, 130, 136, 142  
See application file for complete search history.

\* cited by examiner

*Primary Examiner*—T. Chase Nelson  
(74) *Attorney, Agent, or Firm*—Wesley W. Muller

(57) **CLAIM**

The ornamental design for a cordless drill, as shown and described.

(56) **References Cited**

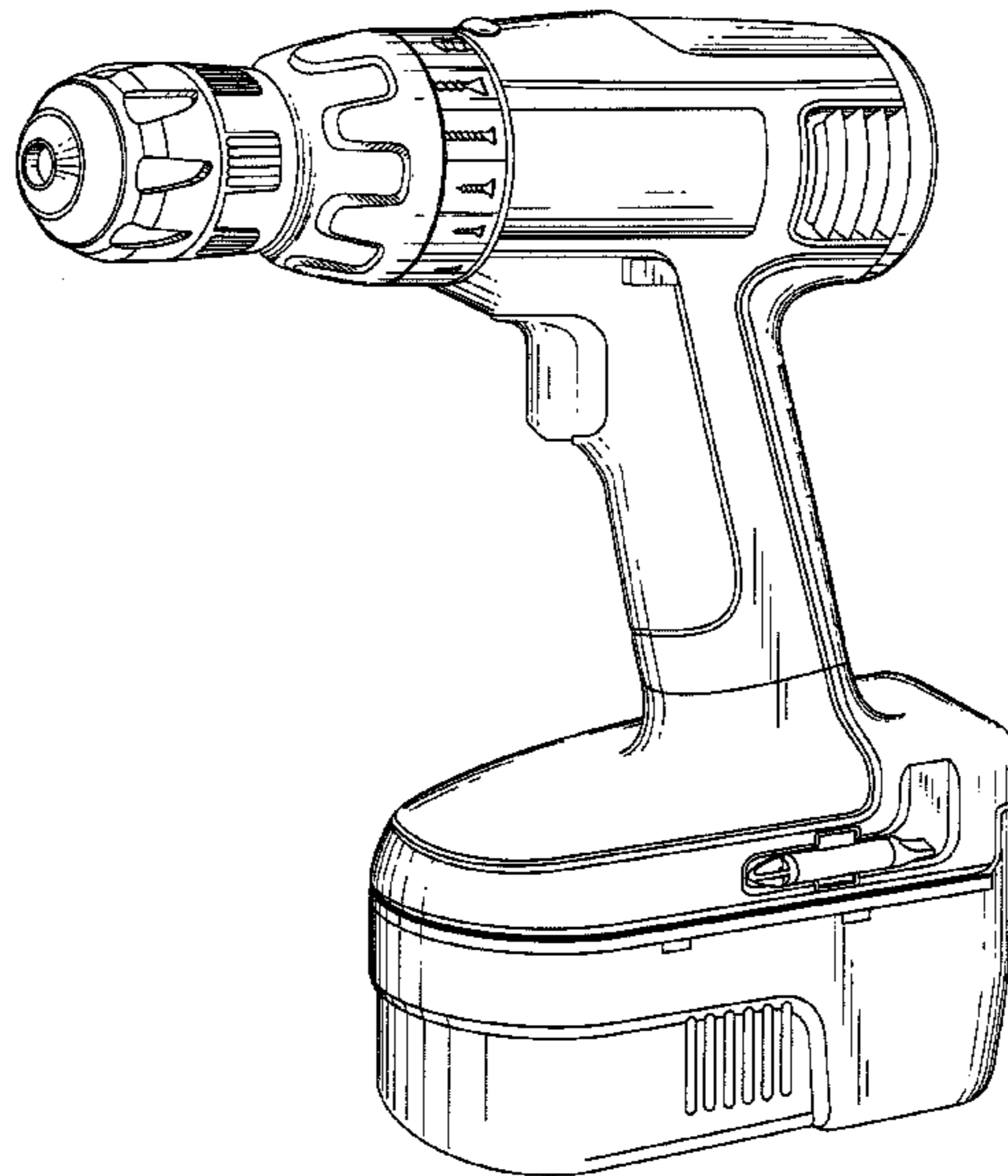
**DESCRIPTION**

U.S. PATENT DOCUMENTS

D377,442 S \* 1/1997 Kikuchi ..... D8/68  
D378,268 S \* 3/1997 Schultz ..... D8/68  
D382,457 S \* 8/1997 Ghode et al. .... D8/68  
D386,662 S \* 11/1997 Tozawa et al. .... D8/68  
D402,871 S \* 12/1998 Clowers et al. .... D8/68  
D419,413 S \* 1/2000 Heun ..... D8/68  
D420,877 S \* 2/2000 Schultz ..... D8/68  
D421,883 S \* 3/2000 Watson et al. .... D8/68  
D428,320 S \* 7/2000 Ohi et al. .... D8/68  
D460,674 S \* 7/2002 Heun ..... D8/68  
D462,248 S \* 9/2002 Cooper ..... D8/68  
D467,483 S \* 12/2002 Heun ..... D8/68  
D469,675 S \* 2/2003 Chung ..... D8/68  
D482,253 S \* 11/2003 Cooper et al. .... D8/68

FIG. 1 is a perspective view of a cordless drill according to the present invention;  
FIG. 2 is an elevated left side view of the cordless drill of FIG. 1;  
FIG. 3 is an elevated right side view of the cordless drill of FIG. 1;  
FIG. 4 is a top plan view of the cordless drill of FIG. 1;  
FIG. 5 is a bottom plan view of the cordless drill of FIG. 1;  
FIG. 6 is an elevated front view of the cordless drill of FIG. 1; and,  
FIG. 7 is an elevated rear view of the cordless drill of FIG. 1.

**1 Claim, 7 Drawing Sheets**



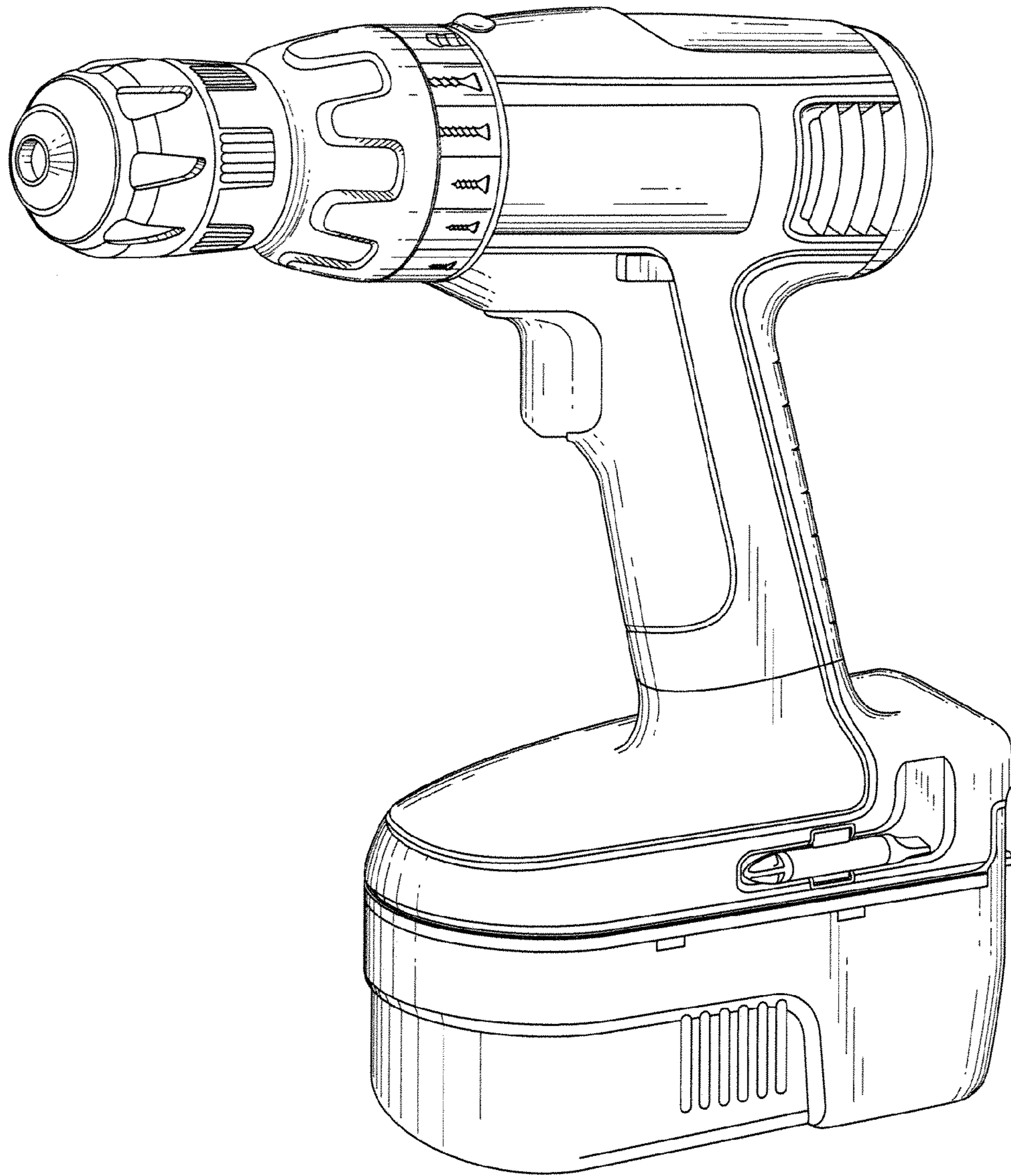


Fig. 1

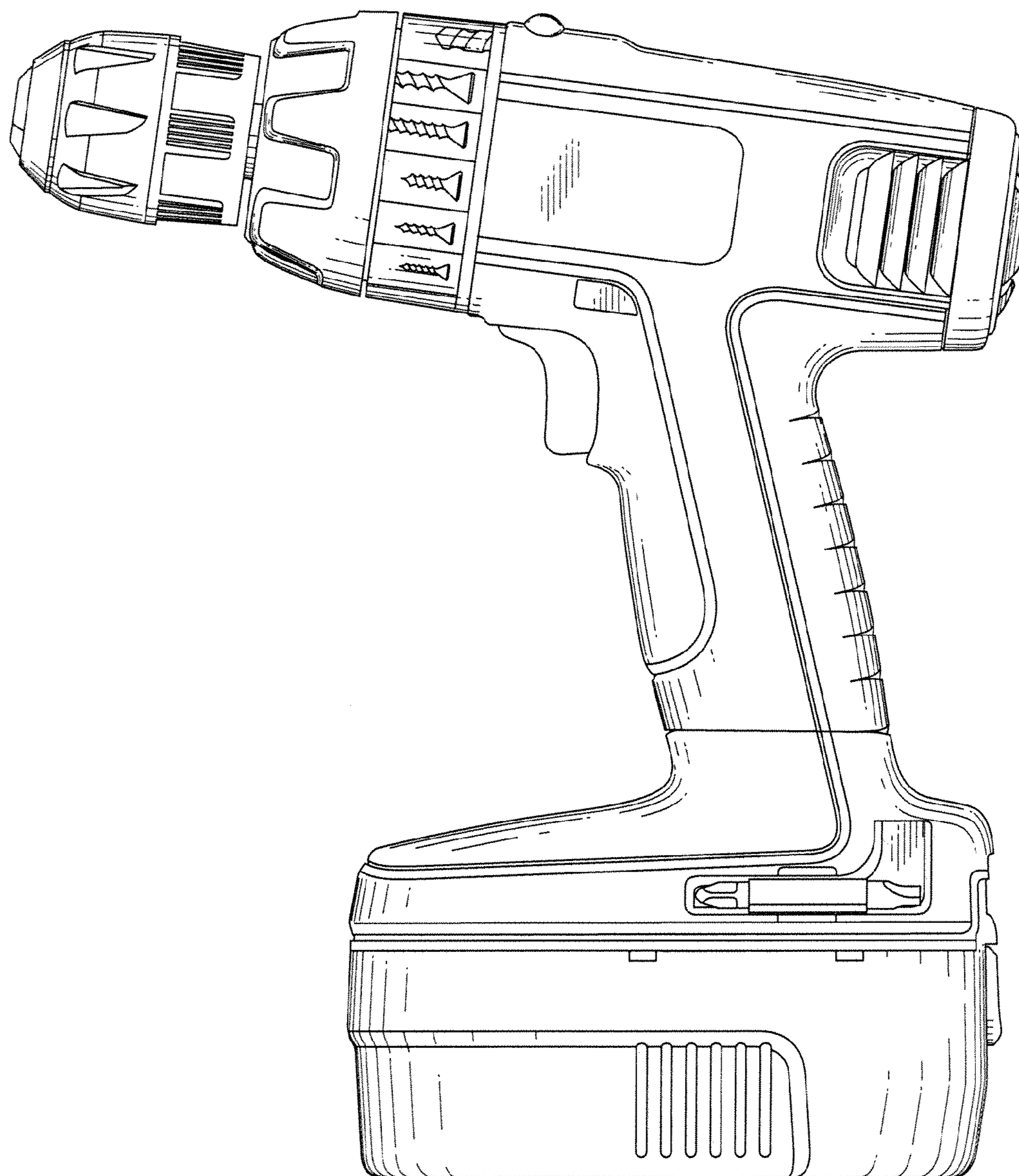


Fig. 2

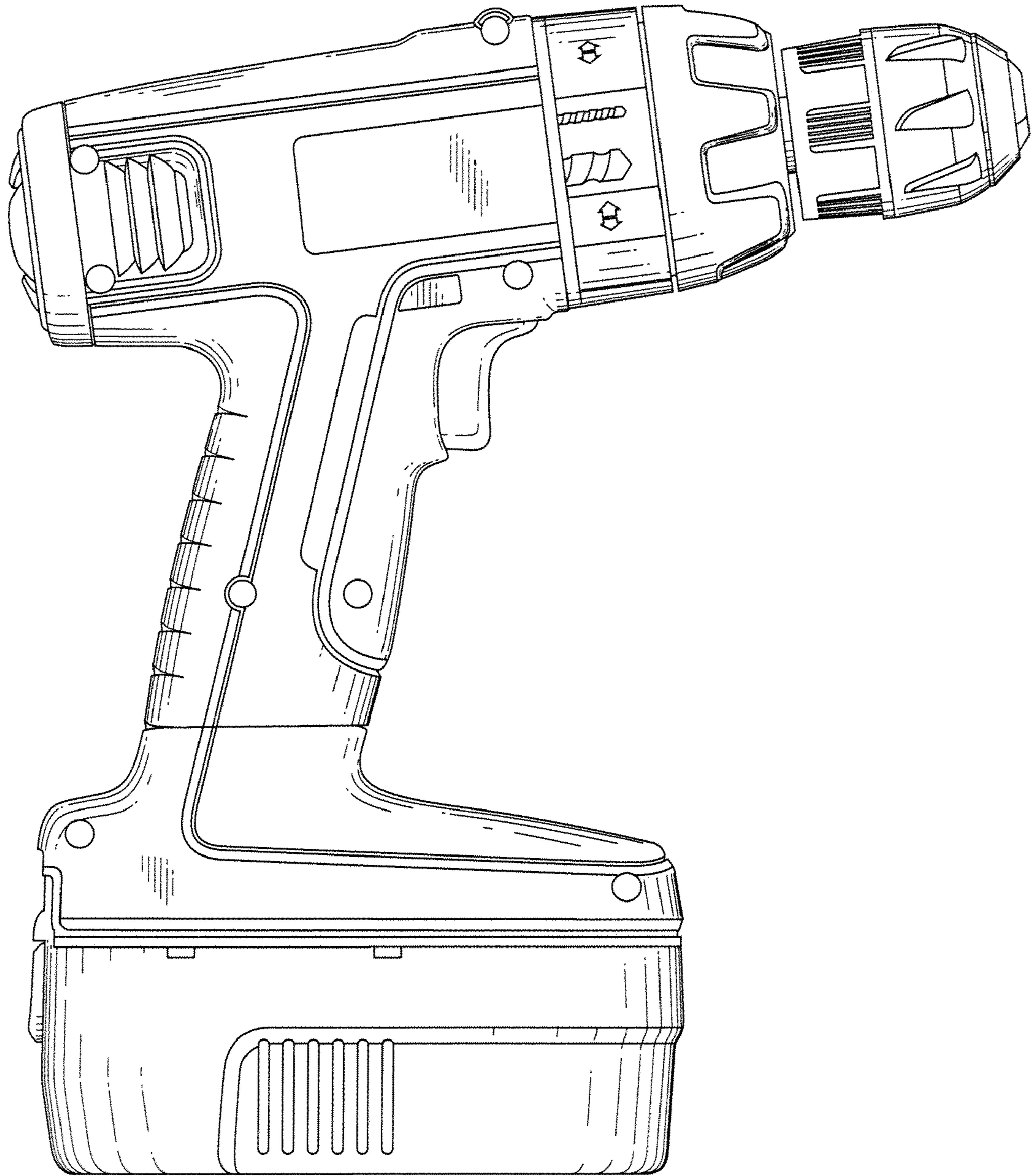


Fig. 3

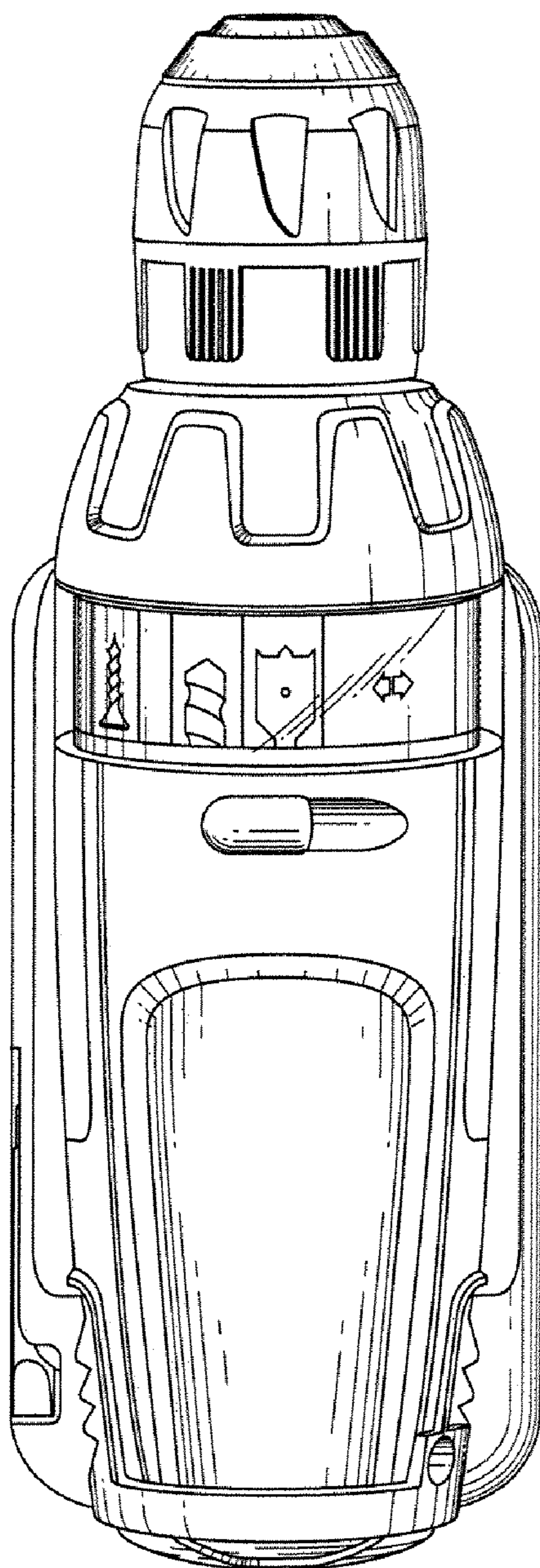


Fig. 4

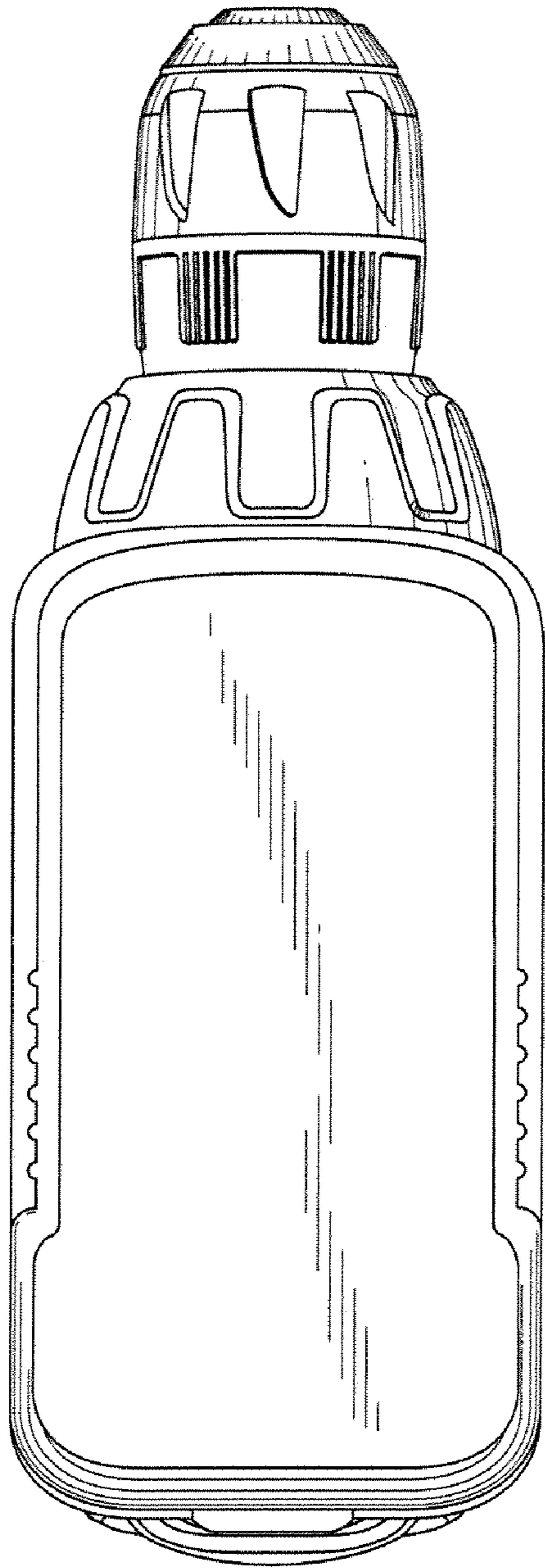


Fig. 5

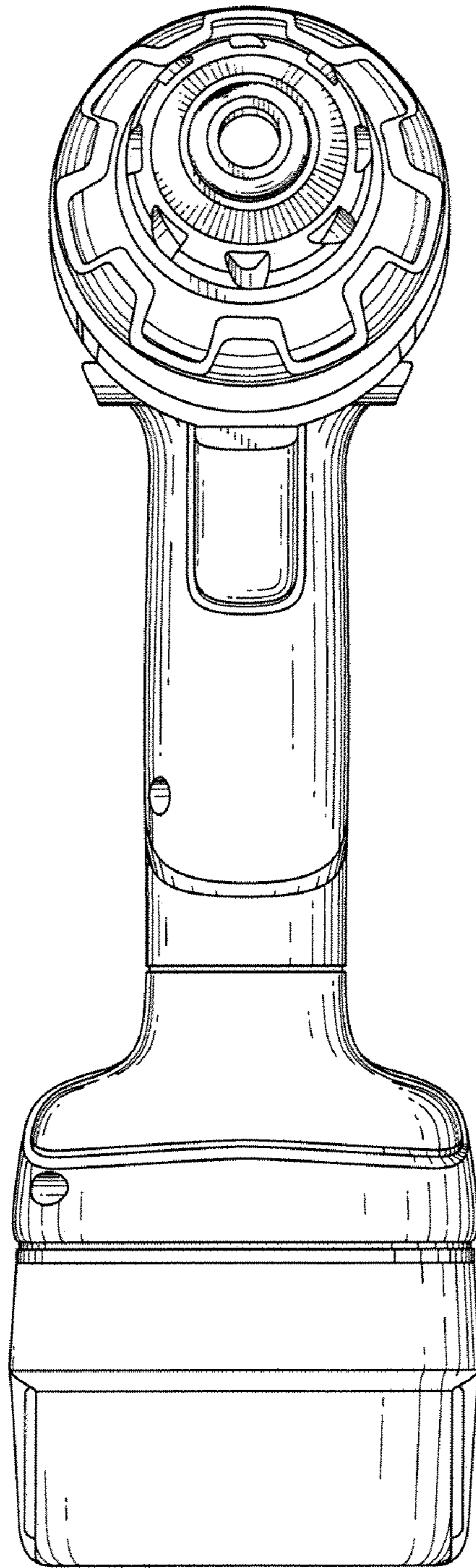


Fig. 6

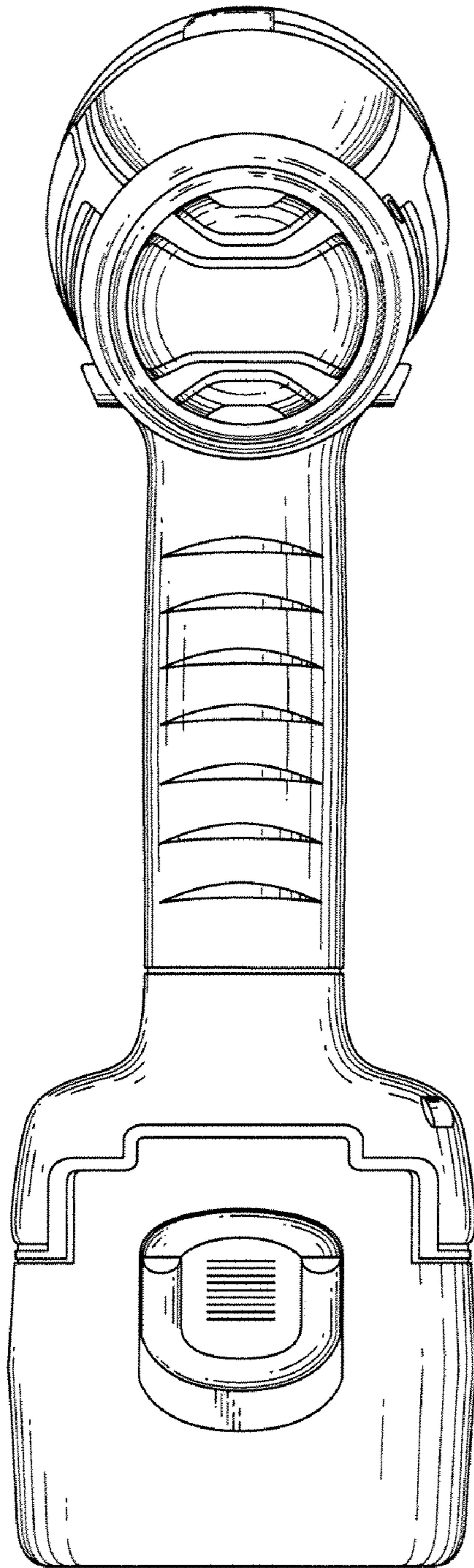


Fig. 7