

US00D577271S

(12) **United States Design Patent**
Ganz et al.

(10) **Patent No.:** **US D577,271 S**

(45) **Date of Patent:** **** Sep. 23, 2008**

(54) **WRENCH HANDLE**

(75) Inventors: **Todd D. Ganz**, 21471 Ulysses St. NE.,
East Bethel, MN (US) 55011; **Scott**
Johnson, Anoka, MN (US)

(73) Assignee: **Todd D. Ganz**, East Bethel, MN (US)

(**) Term: **14 Years**

(21) Appl. No.: **29/299,778**

(22) Filed: **Jan. 4, 2008**

(51) **LOC (8) Cl.** **08-05**

(52) **U.S. Cl.** **D8/27**

(58) **Field of Classification Search** D8/21-29,
D8/81-87, 102-107, 98, 99, 55, 93, 94; 81/60-63.2,
81/177.1, 177.85, 177.8, 489, 125.1, 121.1,
81/119-120, 176.1, 186, 177.9, 185.1, 176.2,
81/165, 170, 3.35, 58, 3.345, 155; 206/378;
16/429, 441, 124.6; 7/100, 138, 168, 157
See application file for complete search history.

(56) **References Cited**

U.S. PATENT DOCUMENTS

46,424 A * 2/1865 Berry 112/132

2,605,665 A * 8/1952 Grenat D8/29
D276,124 S * 10/1984 Liu D8/22
5,033,501 A * 7/1991 Stehling 137/296
D341,066 S * 11/1993 Wallace D8/305
6,076,435 A * 6/2000 White et al. 81/176.2
D431,433 S * 10/2000 Tiedge D8/28

* cited by examiner

Primary Examiner—Raphael Barkai

Assistant Examiner—Randall H Gholson

(74) *Attorney, Agent, or Firm*—Dicke, Billig & Czaja, PLLC

(57) **CLAIM**

I claim the ornamental design for a wrench handle, as shown.

DESCRIPTION

FIG. 1 is a perspective view of a wrench handle showing our new design.

FIG. 2 is a top view of the wrench handle.

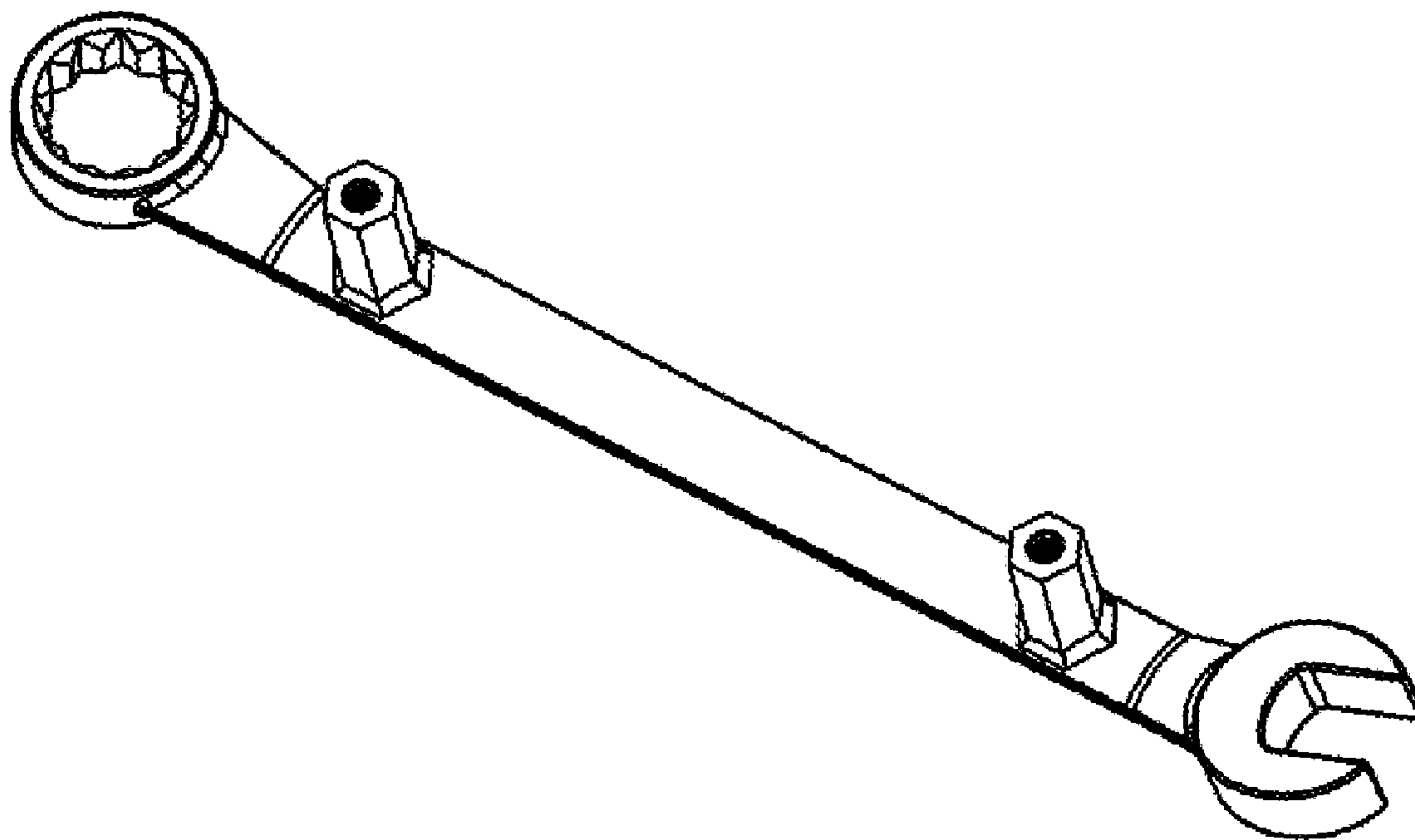
FIG. 3 is a bottom view of the wrench handle.

FIG. 4 is a side view of the wrench handle.

FIG. 5 is a first end view of the wrench handle; and,

FIG. 6 is a second end view of the wrench handle.

1 Claim, 1 Drawing Sheet



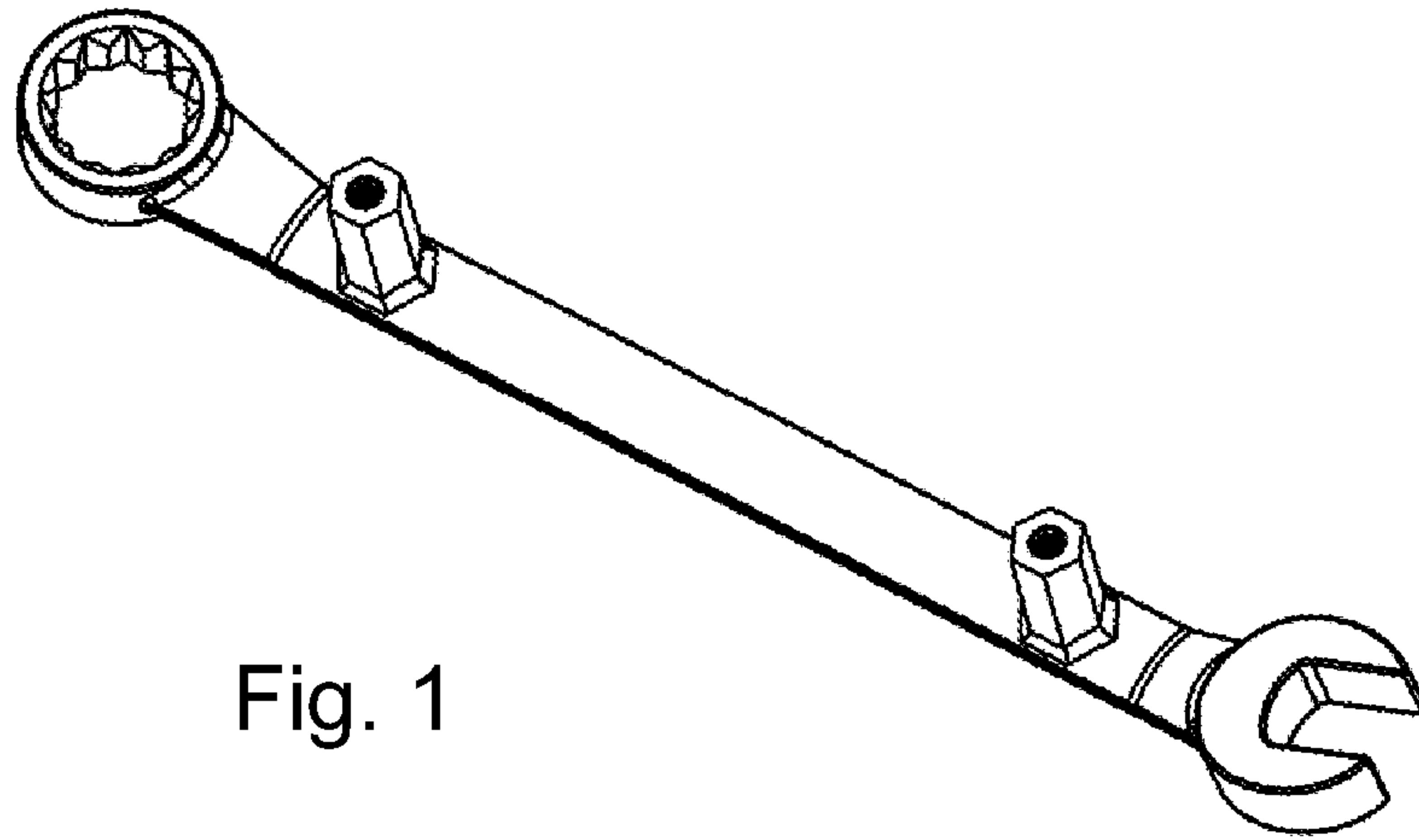


Fig. 1

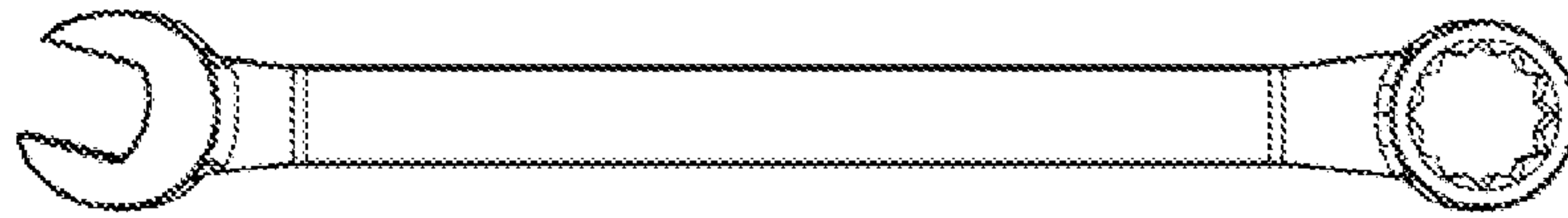


Fig. 2

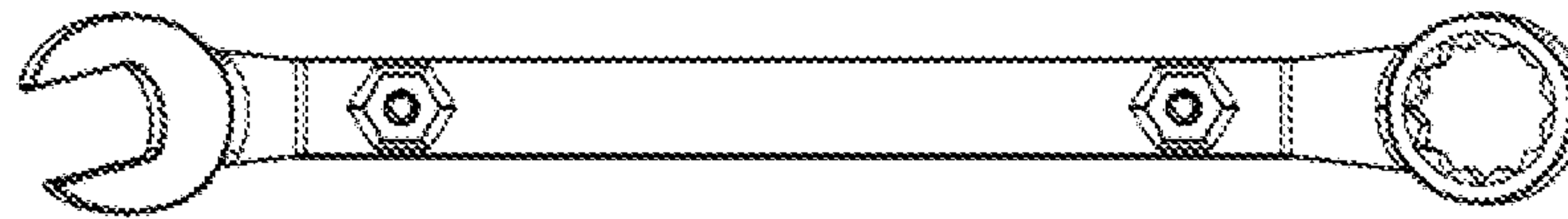


Fig. 3



Fig. 4

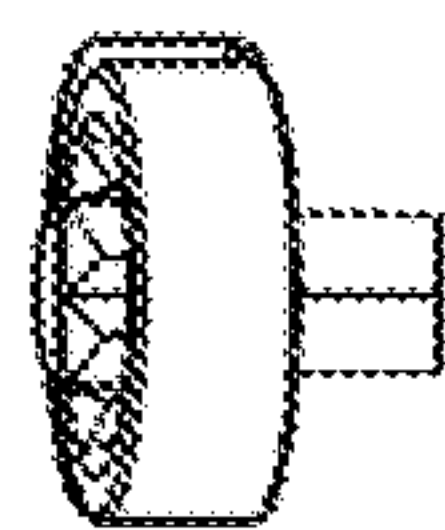


Fig. 5

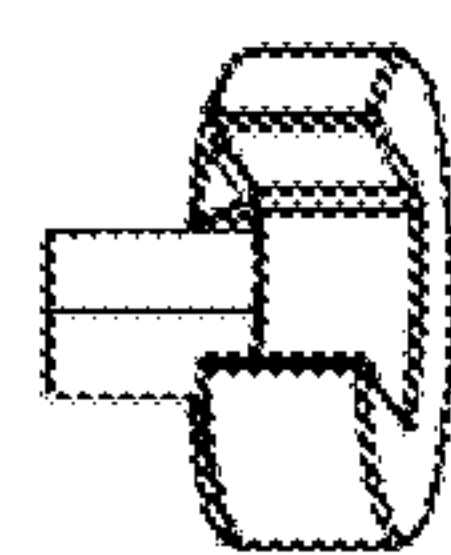


Fig. 6