



US00D577270S

(12) **United States Design Patent**
Roose

(10) **Patent No.:** **US D577,270 S**

(45) **Date of Patent:** **** Sep. 23, 2008**

(54) **RATCHET HEAD EXTENSION APPARATUS**

(76) Inventor: **Danny T. Roose**, 4350 Sweet Rd.,
Howell, MI (US) 48843

(**) Term: **14 Years**

(21) Appl. No.: **29/304,990**

(22) Filed: **Mar. 11, 2008**

(51) **LOC (8) Cl.** **08-05**

(52) **U.S. Cl.** **D8/25**

(58) **Field of Classification Search** D8/21-29,
D8/44, 81-87, 102-107, 98, 99, 55, 93, 94;
81/60-63.2, 177.1, 177.85, 177.8, 489, 125.1,
81/121.1, 119-120, 176.1, 186, 177.9, 185.1,
81/176.2, 165, 170, 3.35, 58, 3.345, 155;
206/378; 16/429, 441, 124.6; 7/100, 138,
7/168, 157; D24/146

See application file for complete search history.

(56) **References Cited**

U.S. PATENT DOCUMENTS

- 2,691,316 A * 10/1954 Brame 81/61
- 4,279,314 A 7/1981 Taub
- D268,805 S * 5/1983 Kowalewicz D8/27
- 4,506,567 A 3/1985 Makhlof
- 4,688,454 A * 8/1987 Scull 81/119
- 5,107,729 A 4/1992 Makhlof

- D332,039 S 12/1992 Bothwell
- 5,339,710 A 8/1994 Deadmond et al.
- 5,544,553 A 8/1996 Galat
- 6,799,492 B2 * 10/2004 Pearson 81/99
- 7,062,992 B2 * 6/2006 Spierer 81/57.3
- 7,168,345 B1 * 1/2007 Hsieh 81/177.6
- 7,278,338 B2 * 10/2007 Chen 81/58
- 2006/0288821 A1 * 12/2006 Girard 81/58.1

* cited by examiner

Primary Examiner—Raphael Barkai

Assistant Examiner—Randall H Gholson

(57) **CLAIM**

The ornamental design for a ratchet head extension apparatus, as shown and described.

DESCRIPTION

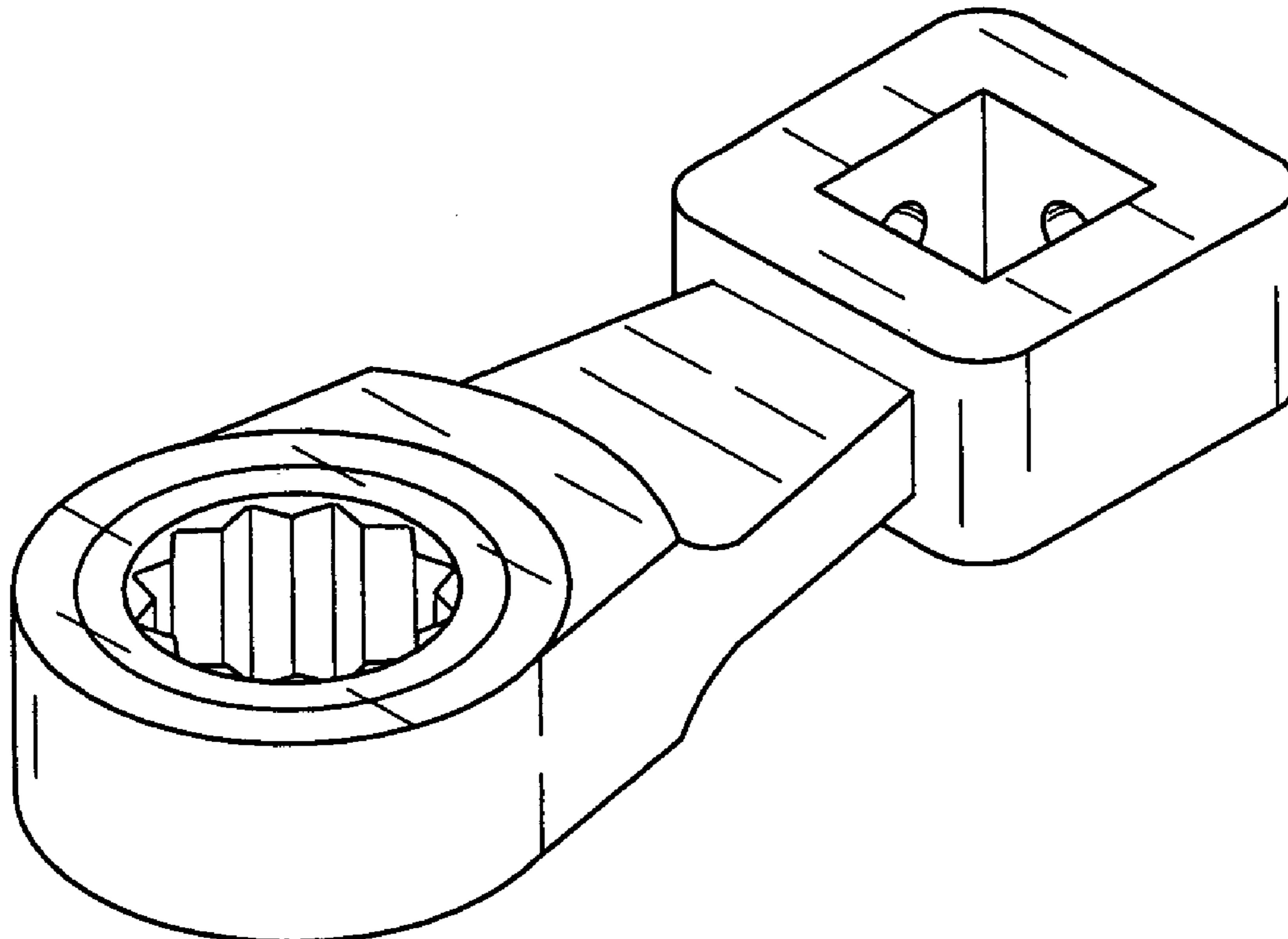
FIG. 1 is a top perspective view of a ratchet head extension apparatus showing my new design;

FIG. 2 is a top view of the ratchet head extension apparatus and which is a mirror image of a bottom view of the same; and,

FIG. 3 is a side elevated view of the ratchet head extension apparatus.

The broken lines shown in FIG. 3 are for illustrative purposes only and form no part of the claimed design.

1 Claim, 2 Drawing Sheets



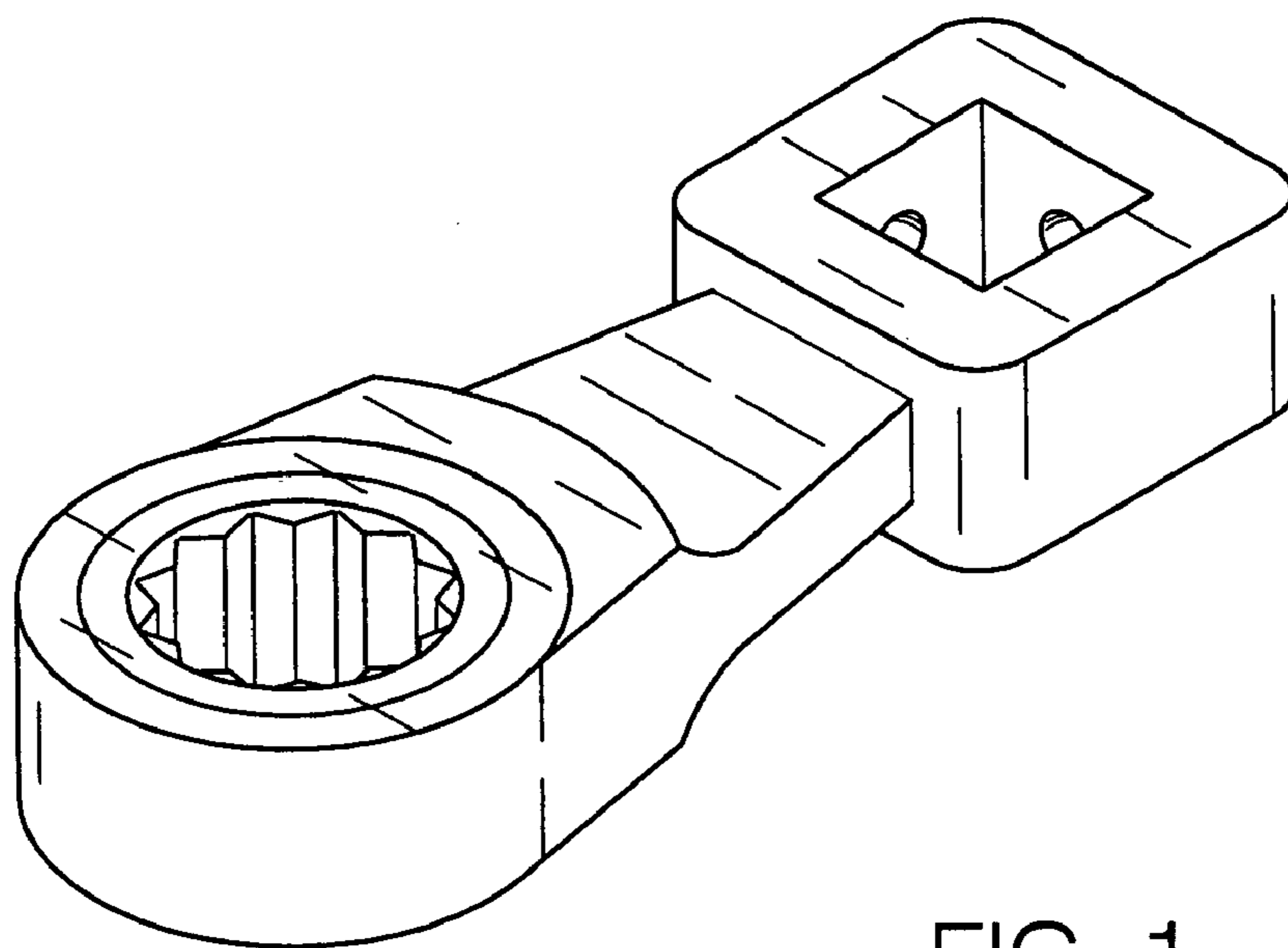


FIG. 1

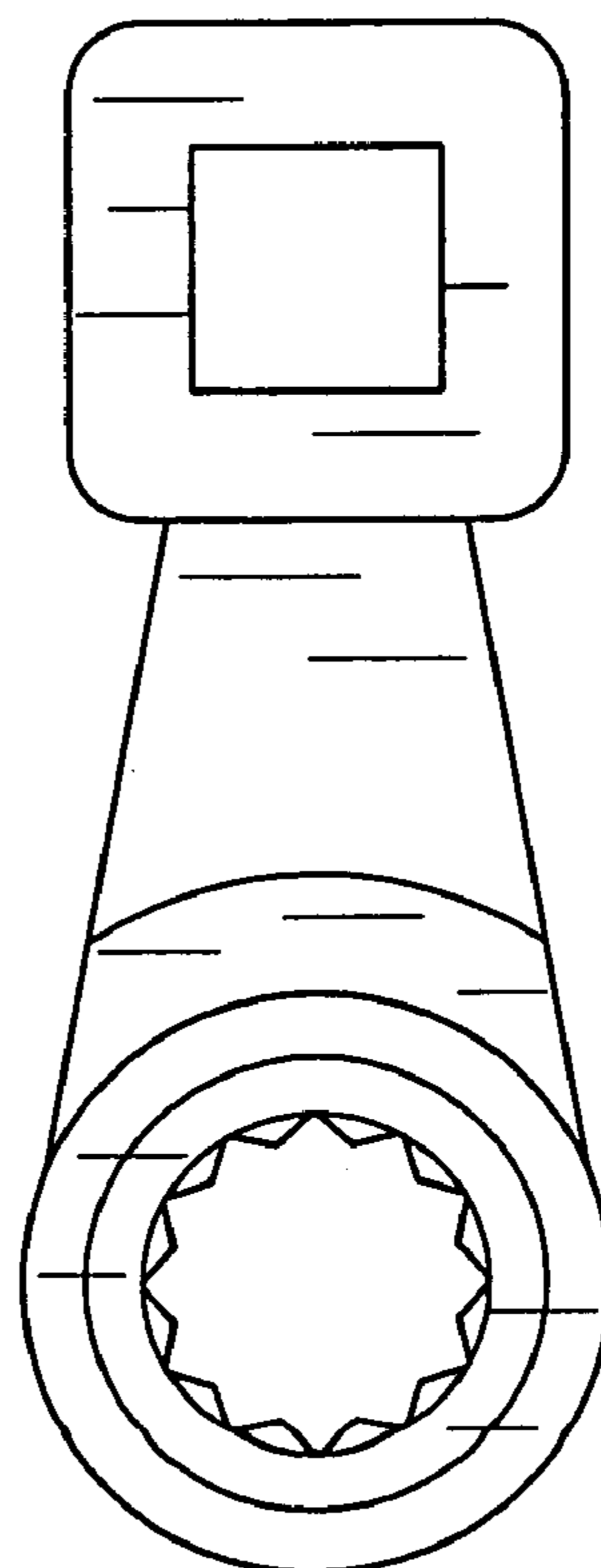


FIG. 2

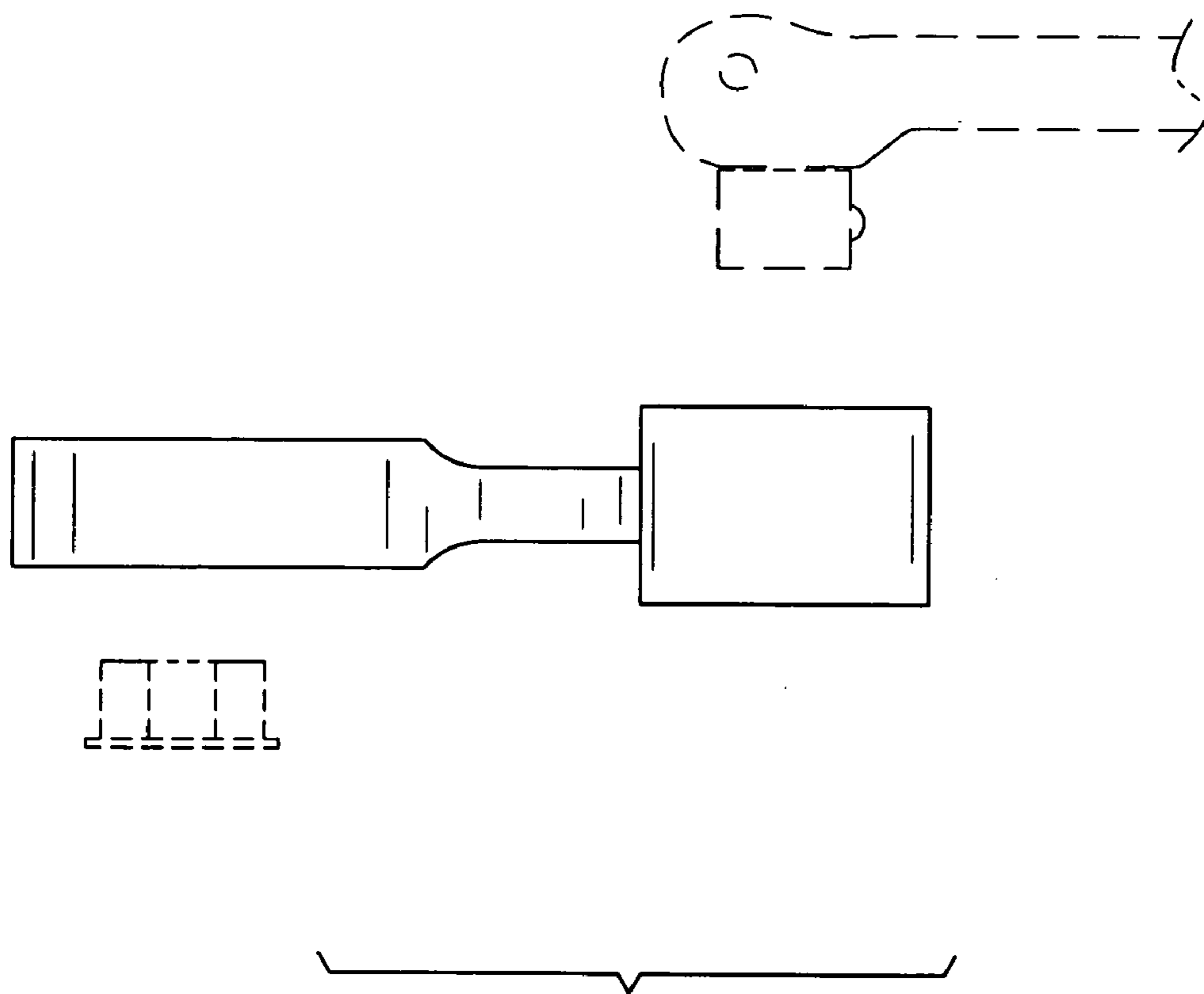


FIG. 3