



US00D577267S

(12) **United States Design Patent**  
**Sawhey et al.**

(10) **Patent No.:** **US D577,267 S**  
(45) **Date of Patent:** **\*\* Sep. 23, 2008**

(54) **FOOD SLICER**

3,328,877 A 7/1967 Brown  
3,495,639 A 2/1970 Johansson  
3,890,867 A \* 6/1975 Wilson ..... 83/404

(75) Inventors: **Ravi Kumar Sawhey**, Calabasas, CA (US); **Ingvald Alain Smith-Kielland**, Los Angeles, CA (US); **Lance Gordon Hussey**, Simi Valley, CA (US); **Sanjay Choudhuri**, Mission Viejo, CA (US); **Patrice Gerber**, Laguna Beach, CA (US); **Jason Alan Dimas Rico**, Mission Viejo, CA (US)

(Continued)

**FOREIGN PATENT DOCUMENTS**

DE 10154130 A1 5/2003

(Continued)

**OTHER PUBLICATIONS**

Leifheit, Käseschneider, viewed at <http://www.leifheit.de/2003/produkt/db/artikel.php?langid=1&frame=& style;> last viewed on Nov. 20, 2006.

(Continued)

*Primary Examiner*—Terry A Wallace  
(74) *Attorney, Agent, or Firm*—Brinks Hofer Gilson & Lione

(73) Assignee: **DKB Household USA Corp.**, Irvine, CA (US)

(\*\*) Term: **14 Years**

(21) Appl. No.: **29/276,861**

(22) Filed: **Feb. 7, 2007**

(51) **LOC (8) Cl.** ..... **07-04**

(52) **U.S. Cl.** ..... **D7/673**

(58) **Field of Classification Search** ..... D7/672–674,  
D7/677, 678, 693, 381; 241/92–95, 100,  
241/168, 169, 169.1, 273.1–273.4, 285.2,  
241/280, 287; 99/495, 508–513

See application file for complete search history.

(57) **CLAIM**

The ornamental design for a food slicer, as shown and described.

**DESCRIPTION**

FIG. 1 is a perspective view of a food slicer of the present invention;

FIG. 2 is a front view thereof;

FIG. 3 is a rear view thereof;

FIG. 4 is a left-side view thereof;

FIG. 5 is a right-side view thereof;

FIG. 6 is a top view thereof; and,

FIG. 7 is a bottom view thereof.

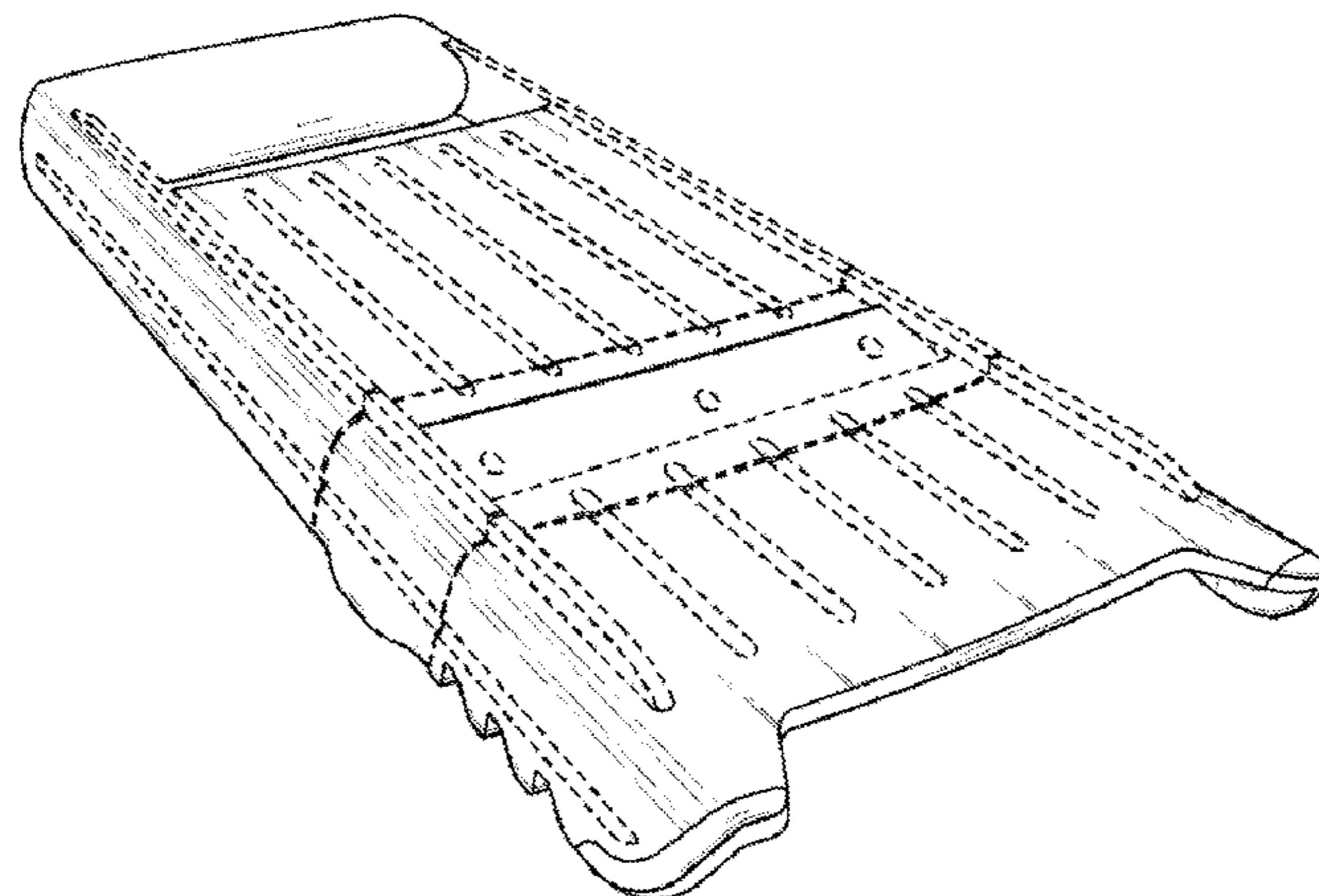
The ornamental design which is claimed is shown in solid lines in the drawings. Any broken lines in the drawings are for illustrative purposes only and form no part of the claimed design.

**1 Claim, 4 Drawing Sheets**

(56) **References Cited**

**U.S. PATENT DOCUMENTS**

557,914 A	4/1896	Struble et al.
691,861 A	1/1902	Hemstrom
1,071,603 A	8/1913	Caastello
1,416,723 A	5/1922	Krafft
1,430,289 A	9/1922	Dahmer
1,768,072 A	6/1930	Keeton
1,974,194 A	9/1934	Bertram
2,166,622 A	7/1939	Callen
D133,534 S	8/1942	Morris
D140,433 S	2/1945	Rosenbloom
2,508,320 A	5/1950	Wheelwright
2,766,793 A	10/1956	Duszynski
2,791,026 A	5/1957	Byrd
2,804,686 A	9/1957	Peckhover
3,286,971 A	11/1966	Walter et al.



# US D577,267 S

Page 2

## U.S. PATENT DOCUMENTS

3,942,399 A 3/1976 Giangiulio  
4,038,892 A 8/1977 Popeil  
D249,044 S 8/1978 Popeil  
4,120,089 A 10/1978 Borner  
4,134,205 A 1/1979 Heling  
4,212,431 A 7/1980 Doyel  
4,290,196 A 9/1981 Borner  
4,570,519 A 2/1986 Motosko, II  
4,573,387 A 3/1986 Denter et al.  
4,624,166 A 11/1986 Kreth et al.  
D293,194 S \* 12/1987 Kreth ..... D7/673  
4,733,589 A 3/1988 Wolff  
4,805,843 A 2/1989 Draper  
4,848,680 A 7/1989 Borner  
5,001,835 A 3/1991 Boerner  
D326,388 S 5/1992 Boerner  
D337,489 S \* 7/1993 So ..... D7/678  
D347,149 S 5/1994 Feer et al.  
5,312,054 A \* 5/1994 Feer et al. .... 241/95  
D354,886 S \* 1/1995 Diefenbach ..... D7/678  
5,577,807 A 11/1996 Hodge et al.  
D378,336 S 3/1997 Pedrini  
D379,745 S \* 6/1997 So ..... 7/673  
5,745,999 A 5/1998 Zirkiev  
5,765,472 A 6/1998 Kim  
D399,711 S 10/1998 Cohen et al.  
5,915,788 A 6/1999 Schneider  
6,003,943 A 12/1999 Schneider  
6,082,645 A 7/2000 Himmighofen et al.  
D437,190 S 2/2001 Holcomb  
D442,033 S 5/2001 de Saint-Genois  
D448,256 S \* 9/2001 Ancona et al. .... D7/678  
6,318,222 B1 11/2001 Weinman, Jr.  
6,318,652 B1 11/2001 Liu  
6,732,622 B2 5/2004 Vincent  
D495,218 S \* 8/2004 Yu ..... D7/673  
6,805,044 B1 10/2004 Yamamoto

D498,650 S 11/2004 Boilen  
D503,314 S 3/2005 Wong  
D505,301 S \* 5/2005 Wong ..... D7/673  
7,066,071 B2 6/2006 Zeder et al.  
D533,411 S \* 12/2006 Webb et al. .... D7/678  
7,207,512 B2 4/2007 Webb et al.  
2004/0216579 A1 11/2004 Zeder et al.  
2004/0231482 A1 11/2004 Boilen  
2005/0061124 A1 3/2005 Vincent  
2005/0217121 A1 10/2005 Zeder et al.  
2005/0252387 A1 11/2005 Cornfield  
2006/0075872 A1 4/2006 Wangler

## FOREIGN PATENT DOCUMENTS

EP 1 074 187 A2 2/2001  
FR 2723877 A3 3/1996  
FR 2726780 A1 5/1996  
FR 2859900 A1 3/2005  
GB 2 032 260 A 5/1980  
JP 2001 038678 A 2/2001  
WO WO 02/068159 A1 9/2002  
WO WO 2004/098844 A1 11/2004

## OTHER PUBLICATIONS

Leifheit, Käsehobel, viewed at <http://www.leifheit.de/2003/productdb/artikel.php?langid=1&frame=353&style>; last viewed on Nov. 14, 2006.

OXO International, Good Grips Cheese Plane viewed at [http://www.oxo.com/OA\\_HTML/xxoxo\\_ibeCCtpOXOPrdDtl.jsp?section=10055&item=46682](http://www.oxo.com/OA_HTML/xxoxo_ibeCCtpOXOPrdDtl.jsp?section=10055&item=46682); last viewed on Nov. 14, 2006.

OXO International, Steel Cheese Plane viewed at [http://www.oxo.com/OA\\_HTML/xxoxo\\_ibeCCtpOXOPrdDtl.jsp?section=10055&item=46936](http://www.oxo.com/OA_HTML/xxoxo_ibeCCtpOXOPrdDtl.jsp?section=10055&item=46936); last viewed on Nov. 14, 2006.

Leifheit, Käsehobel 2 viewed at [http://www.leifheit.de/2003.productdb/artikel.php?langid=1&frame=82&style](http://www.leifheit.de/2003/productdb/artikel.php?langid=1&frame=82&style); last viewed on Nov. 14, 2006.

\* cited by examiner

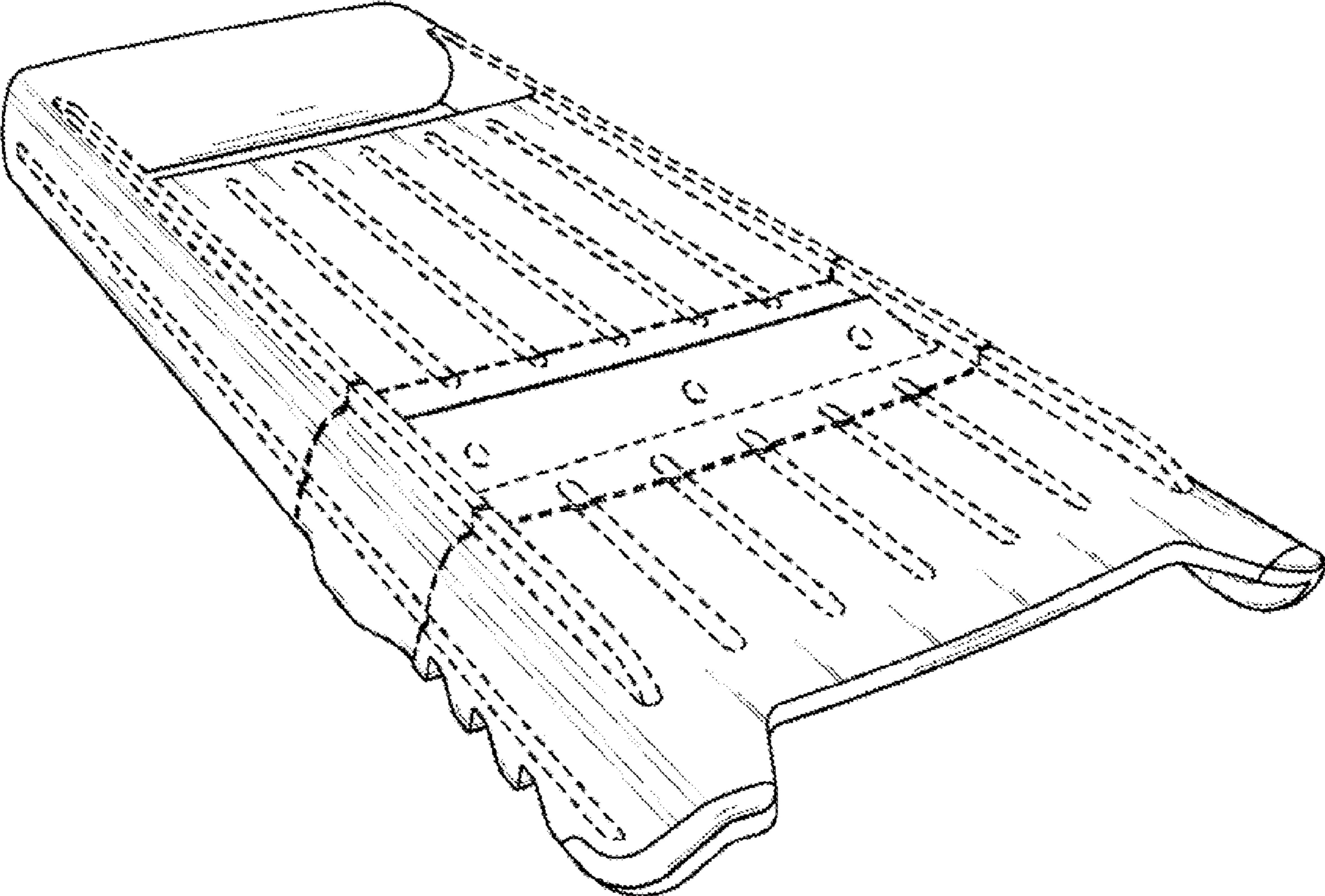
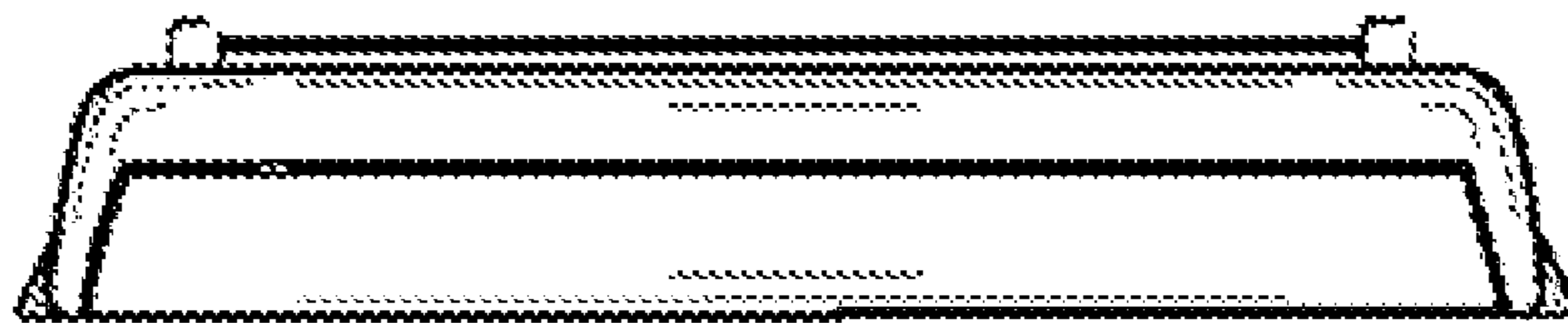
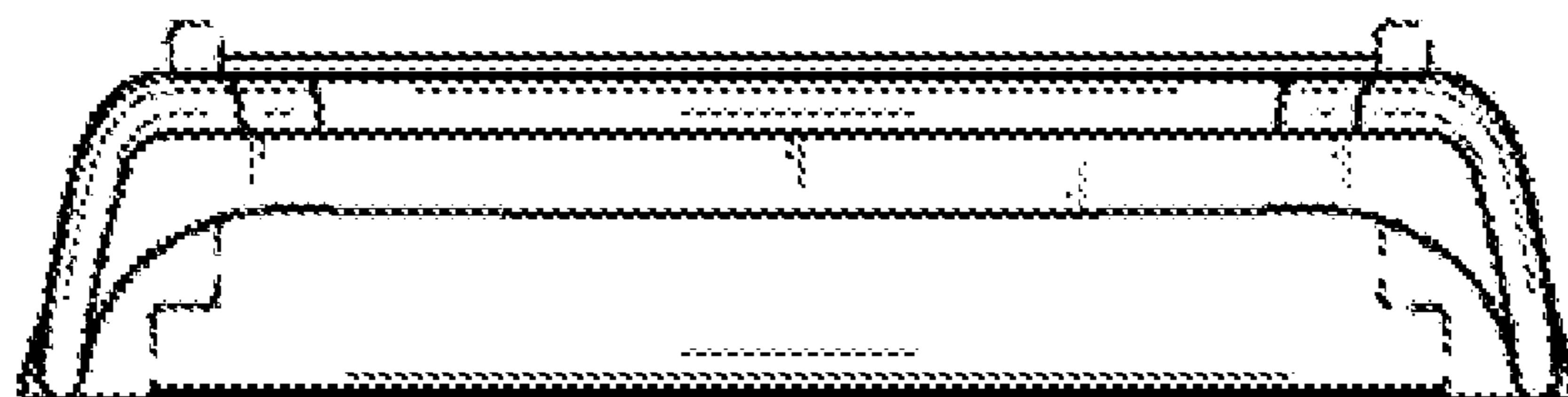


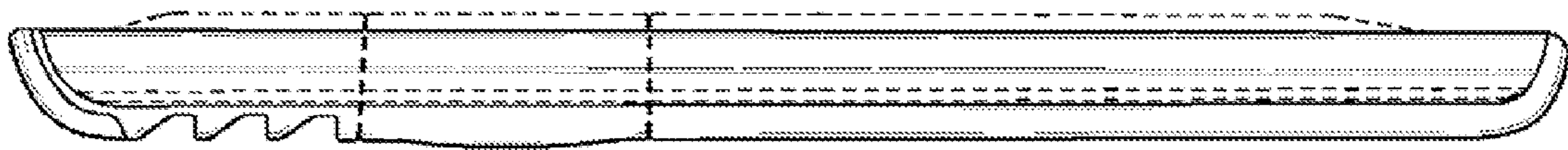
FIG. 1



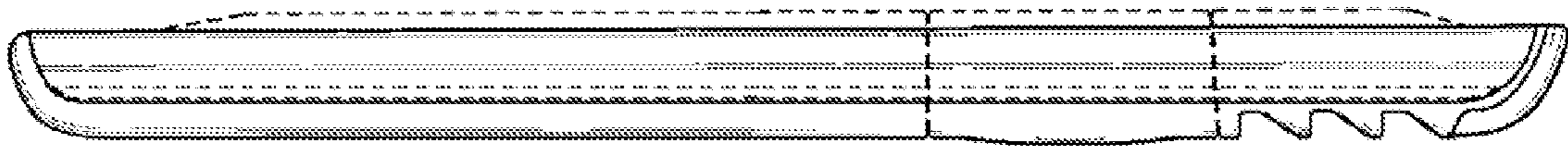
*FIG. 2*



*FIG. 3*



*FIG. 4*



*FIG. 5*

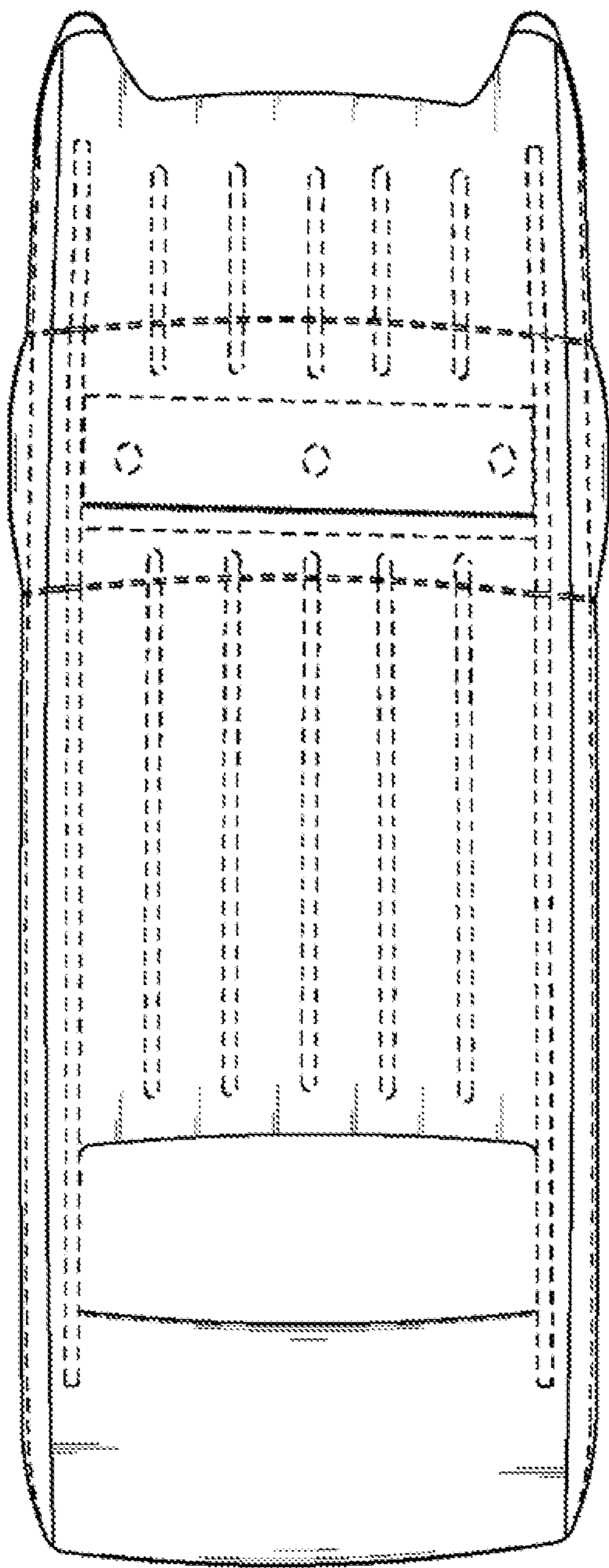


FIG. 6

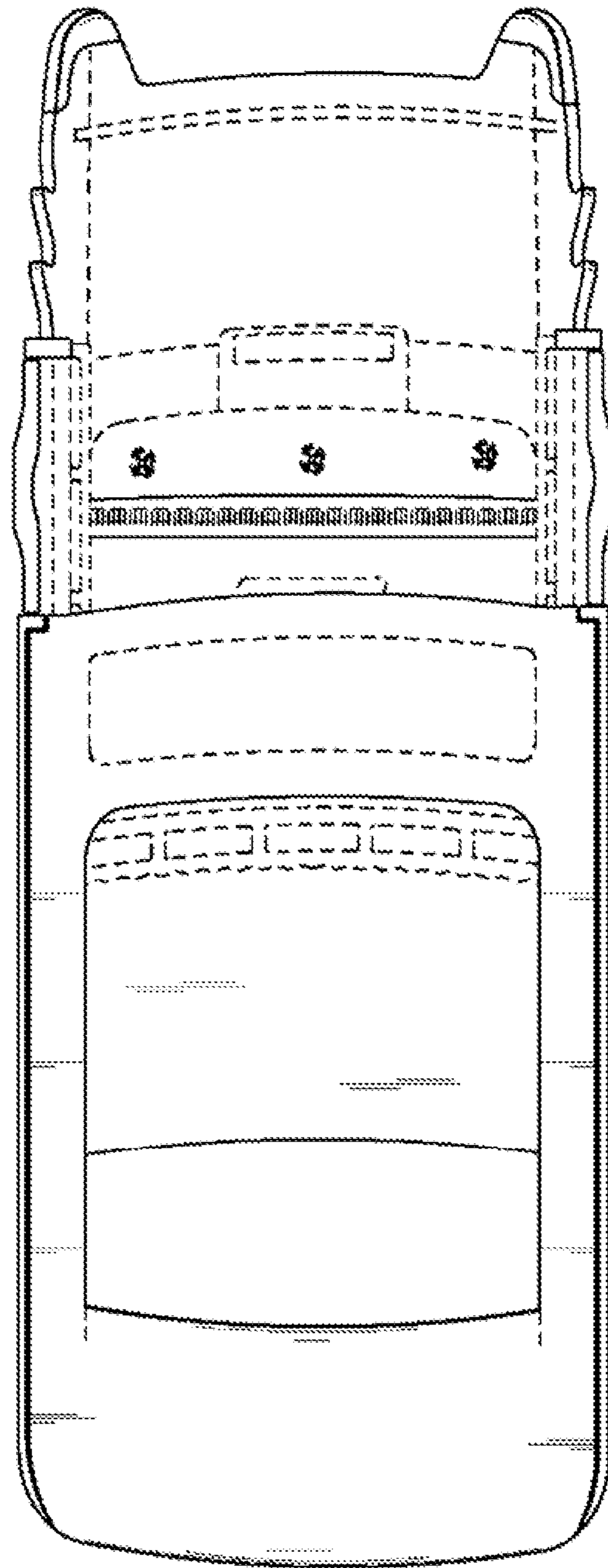


FIG. 7