



US00D577260S

(12) **United States Design Patent**
Bodum

(10) **Patent No.:** **US D577,260 S**
(45) **Date of Patent:** **** Sep. 23, 2008**

(54) **DOUBLE WALL GLASS**

(75) Inventor: **Jørgen Bodum**, Meggen (CH)

(73) Assignee: **Pi-Design AG**, Triengen (CH)

(**) Term: **14 Years**

(21) Appl. No.: **29/297,295**

(22) Filed: **Nov. 8, 2007**

(30) **Foreign Application Priority Data**

May 8, 2007 (DK) DA 2007 00120

(51) **LOC (8) Cl.** **07-01**

(52) **U.S. Cl.** **D7/523; D7/509**

(58) **Field of Classification Search** D7/396.2,
D7/500, 509, 510, 523, 524, 526-528, 530-532,
D7/540, 565, 584, 900; D9/500, 502, 516,
D9/519, 549, 555, 776, 778; D34/1; 215/10,
215/387, DIG. 7; 220/495.04, 560, 595.16,
220/592.17, 703; 226/406; 229/400; 383/110
See application file for complete search history.

(56) **References Cited**

U.S. PATENT DOCUMENTS

723,796 A * 3/1903 Williams 220/592.17
2,051,446 A * 8/1936 Ice 215/12.1
D108,788 S * 3/1938 Kostellow D7/523
D120,587 S * 5/1940 Hinkins D7/532
D289,484 S * 4/1987 Forquer et al. D7/532
D294,911 S * 3/1988 Durand D7/531
D383,037 S * 9/1997 Asberg D7/523
D454,757 S * 3/2002 Lack D7/523
D483,611 S * 12/2003 Diak Ghanem D7/523

D488,348 S * 4/2004 Liu D7/523
D506,641 S * 6/2005 Liu D7/523
D523,693 S * 6/2006 Bodum D7/523
D526,848 S * 8/2006 Bodum D7/523
D539,610 S * 4/2007 Lapsker D7/532
D553,437 S * 10/2007 Bodum D7/523
D553,438 S * 10/2007 Boehm D7/523
D553,439 S * 10/2007 Bodum D7/523
D553,440 S * 10/2007 Bodum D7/523
D553,909 S * 10/2007 Bodum D7/523
2005/0194340 A1 * 9/2005 Huang 215/6

* cited by examiner

Primary Examiner—Philip Hyder

Assistant Examiner—Cynthia Underwood

(74) *Attorney, Agent, or Firm*—Cowan, Liebowitz & Latman

(57) **CLAIM**

The ornamental design for a double wall glass, as shown and described.

DESCRIPTION

FIG. 1 is a perspective view of the double wall glass showing my design thereof;

FIG. 2 is a front view thereof;

FIG. 3 is a back view thereof;

FIG. 4 is a right side view thereof;

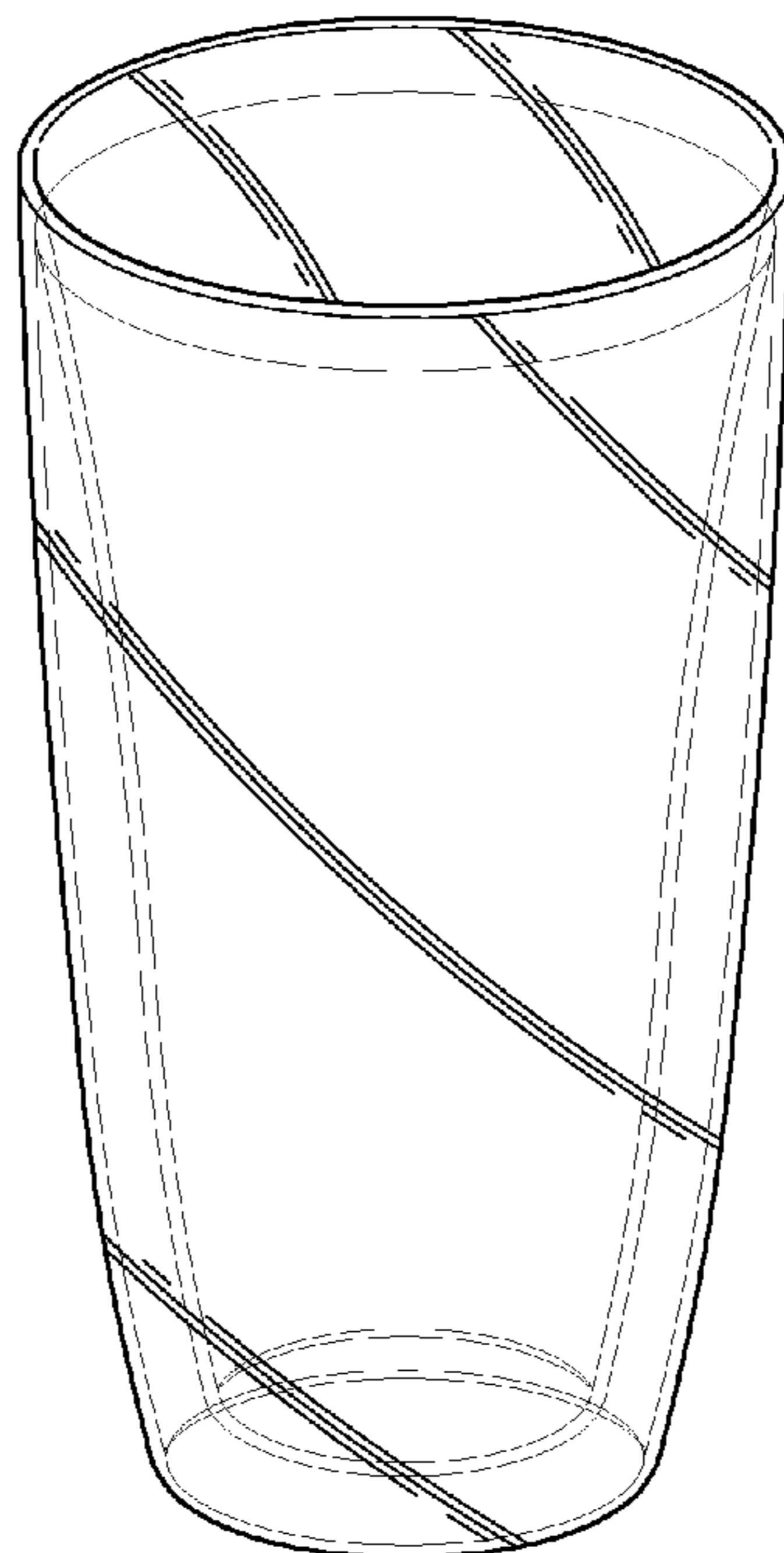
FIG. 5 is a left side view thereof;

FIG. 6 is a top view thereof;

FIG. 7 is a bottom view thereof; and,

FIG. 8 is a cross-sectional view thereof taken along line 8—8 of FIG. 6.

1 Claim, 8 Drawing Sheets



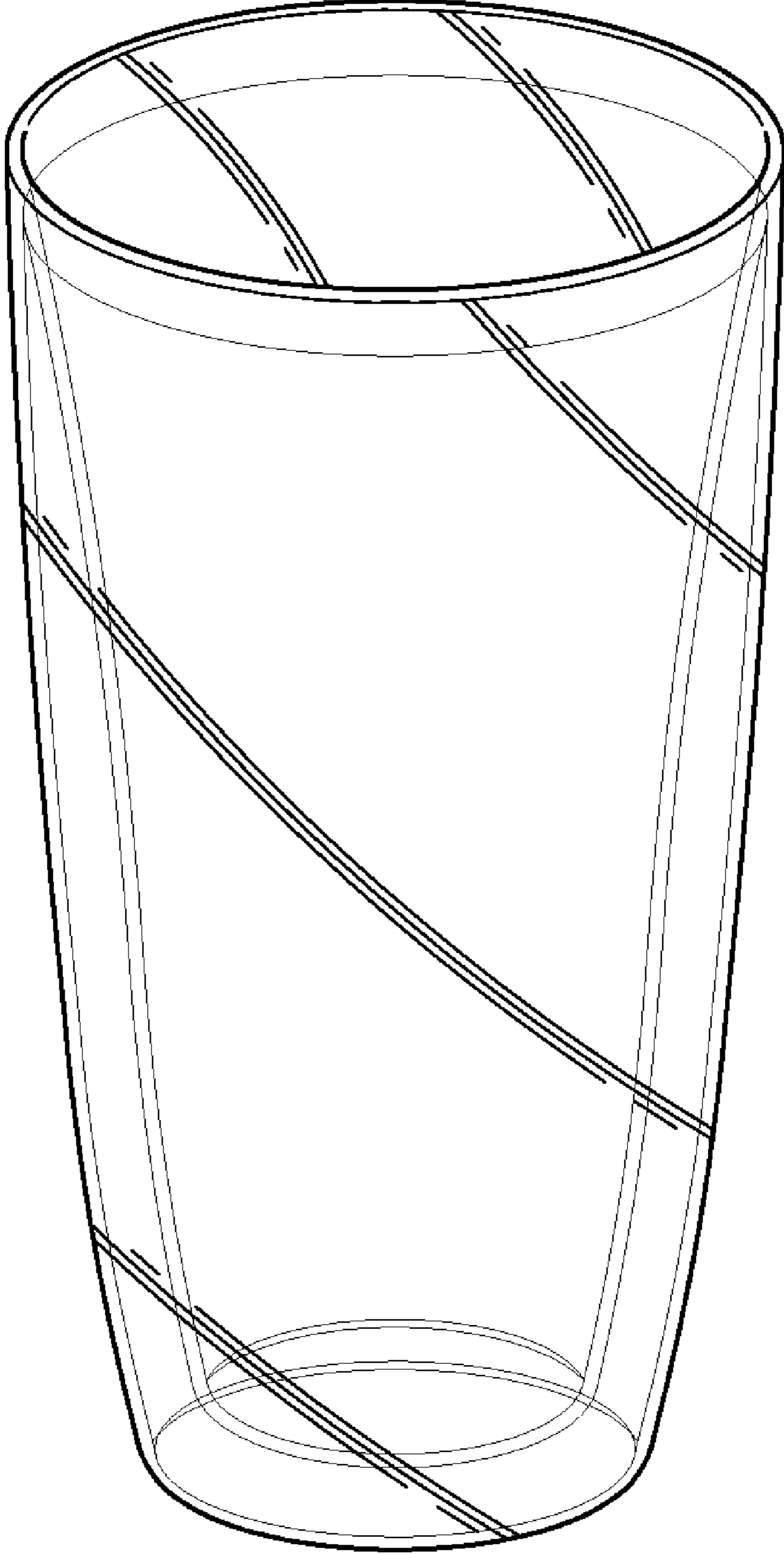


FIG. 1

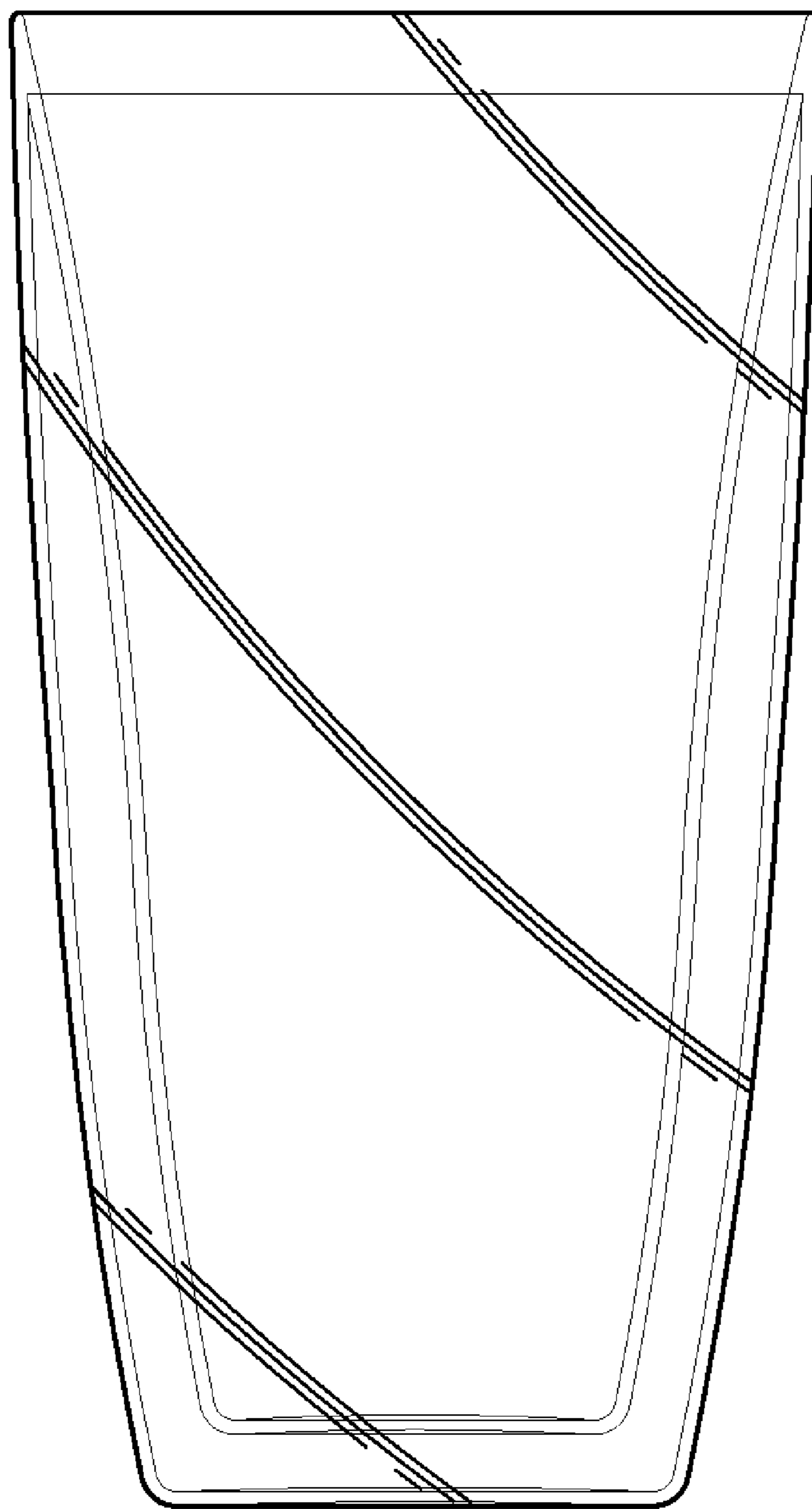


FIG. 2

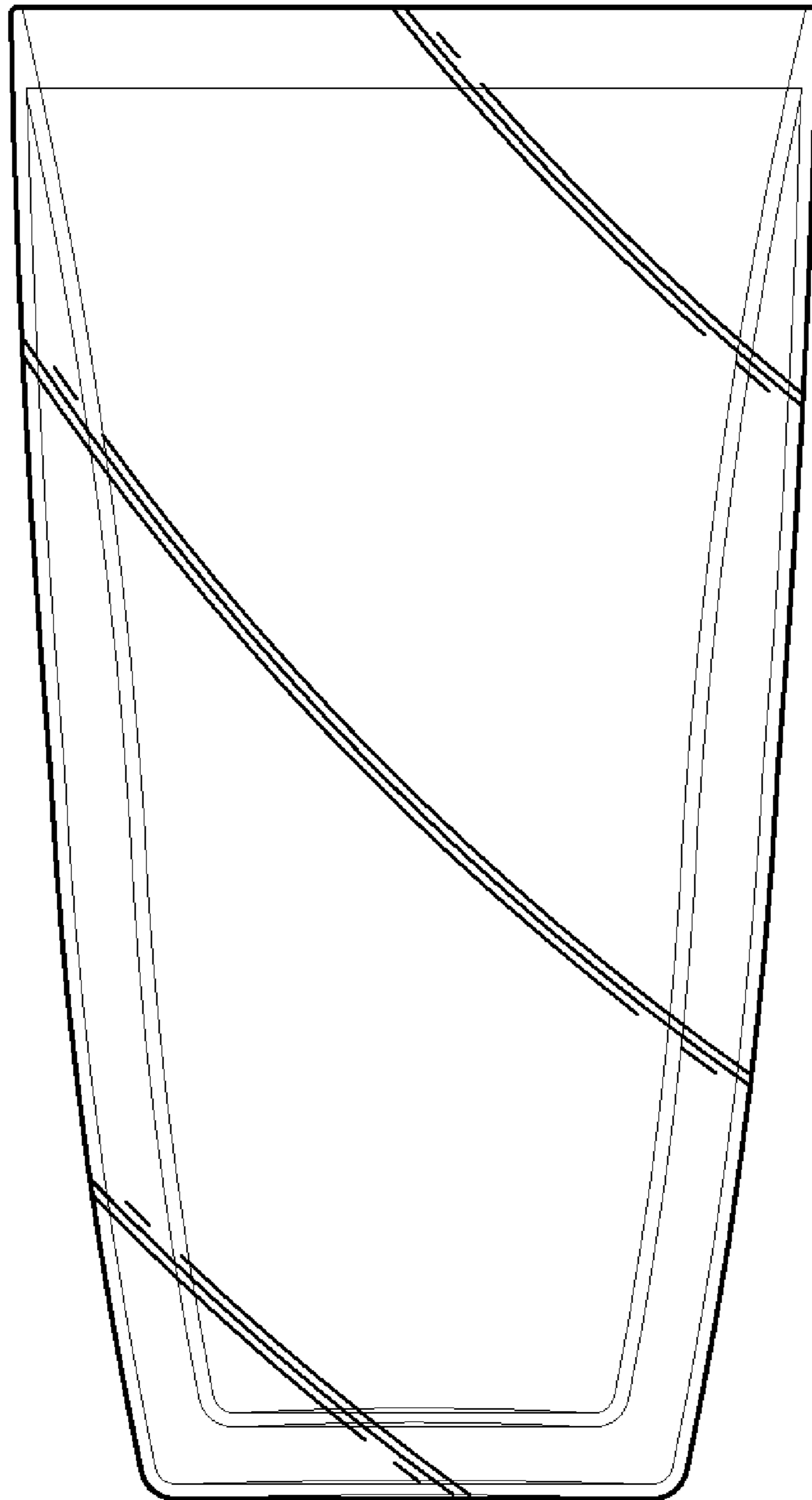


FIG. 3

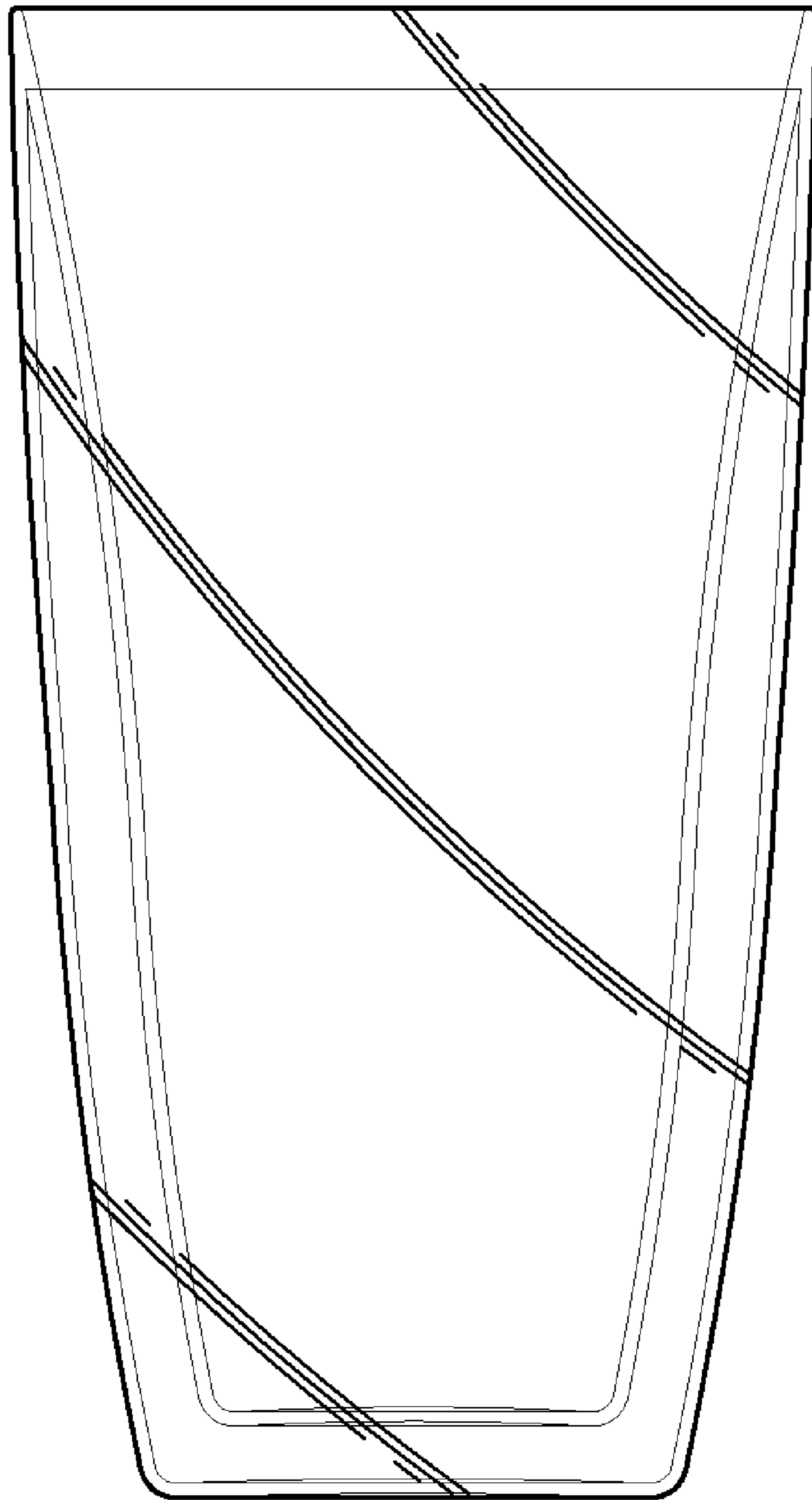


FIG. 4

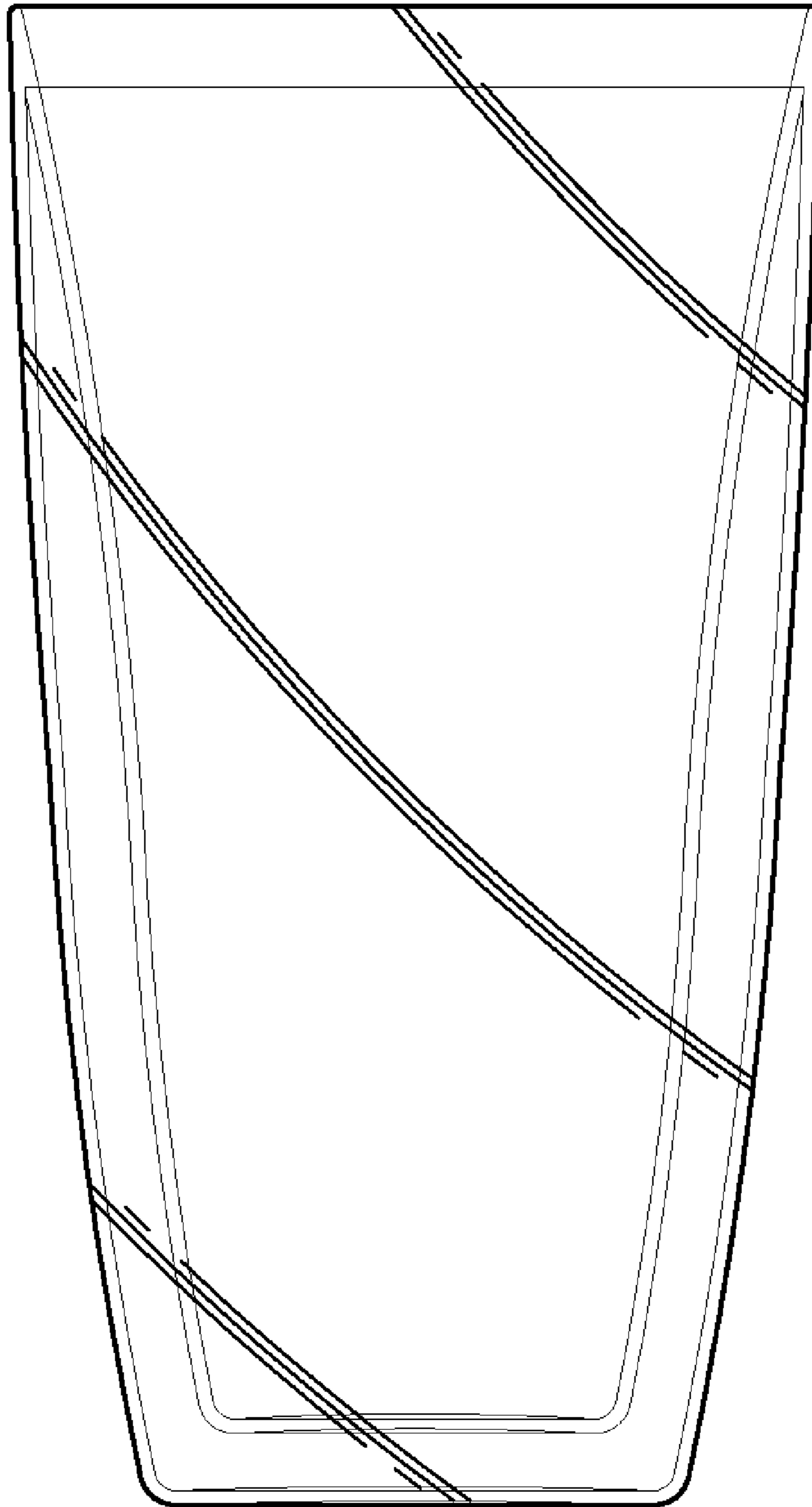


FIG. 5

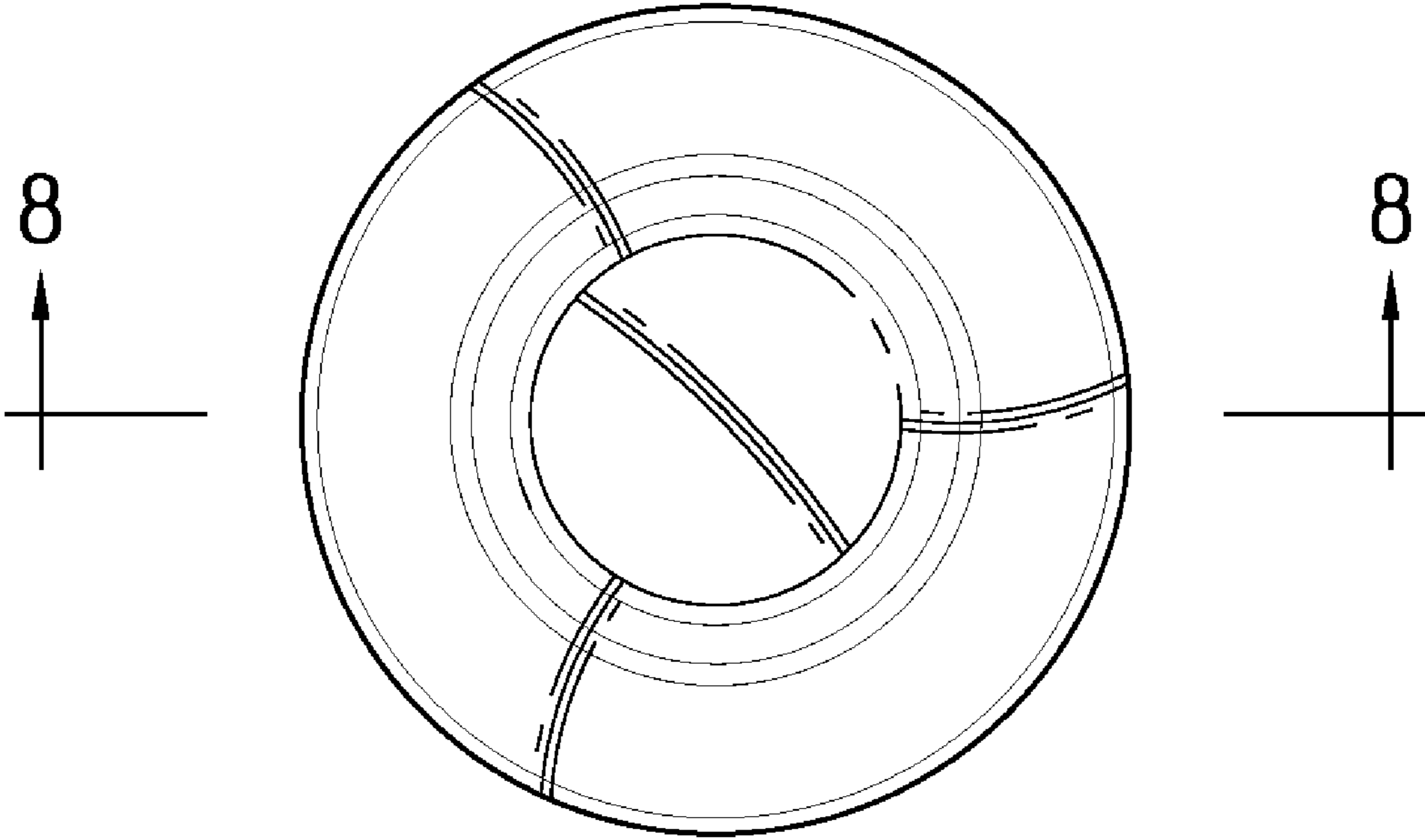


FIG. 6

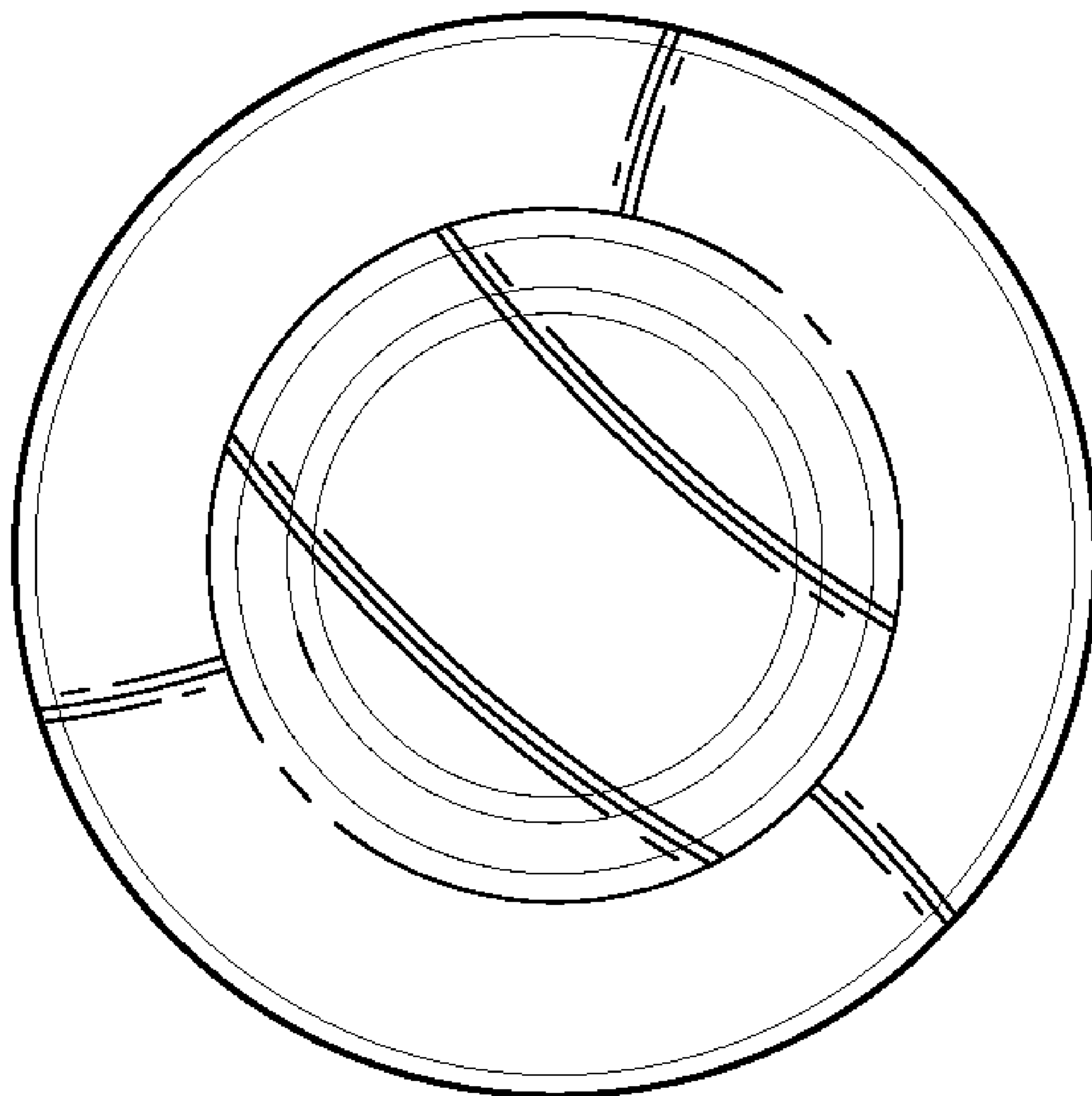


FIG. 7

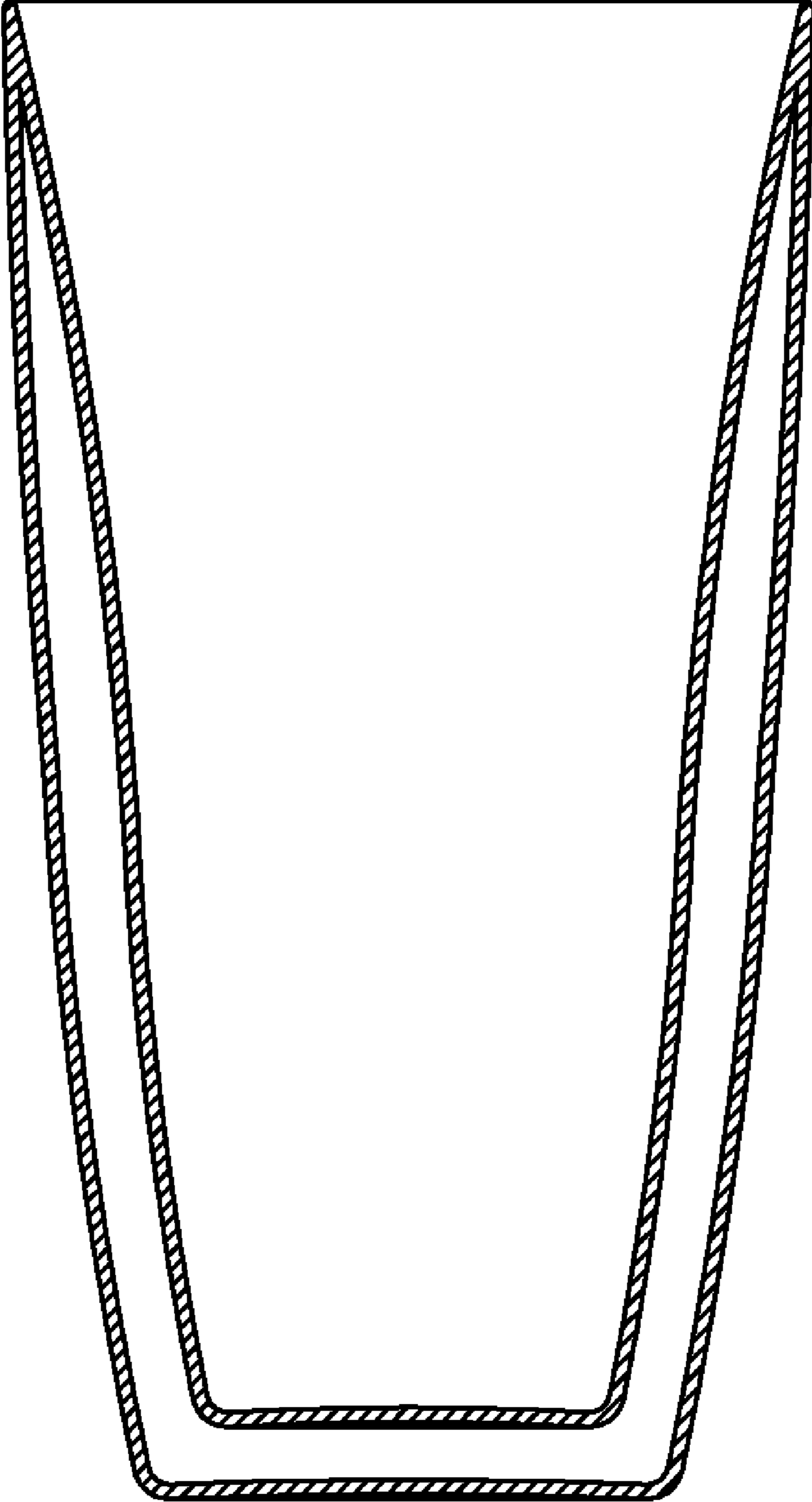


FIG. 8