



US00D577258S

(12) **United States Design Patent**  
**Mansfield**

(10) **Patent No.:** **US D577,258 S**  
(45) **Date of Patent:** **\*\* Sep. 23, 2008**

- (54) **DRINKING VESSEL**
  - (76) Inventor: **Bryan D. Mansfield**, 9020 Ogleby Creek Rd., Myakka City, FL (US) 34251
  - (\*\*) Term: **14 Years**
  - (21) Appl. No.: **29/297,095**
  - (22) Filed: **Nov. 2, 2007**
  - (51) **LOC (8) Cl.** ..... **07-01**
  - (52) **U.S. Cl.** ..... **D7/513; D7/509**
  - (58) **Field of Classification Search** ..... **D7/513, D7/500, 523; 220/507, 918, 500, 23.88, 220/592.16, 592.17, 555, 505, 509; D9/500; D34/1; 215/387**
- See application file for complete search history.

(56) **References Cited**  
**U.S. PATENT DOCUMENTS**

244,883 A 7/1881 Gantt

(Continued)

**OTHER PUBLICATIONS**

Hurricane Shooters, LLC, Nightclub & Bar Magazine, Mar. 2005, p. 84, USA, Available to the public about Feb. 10, 2005, Exhibited at Las Vegas, NV, USA show on Mar. 1, 2005.

(Continued)

*Primary Examiner*—Gary D. Watson  
*Assistant Examiner*—Cynthia Underwood  
(74) *Attorney, Agent, or Firm*—Mark Douma

(57) **CLAIM**

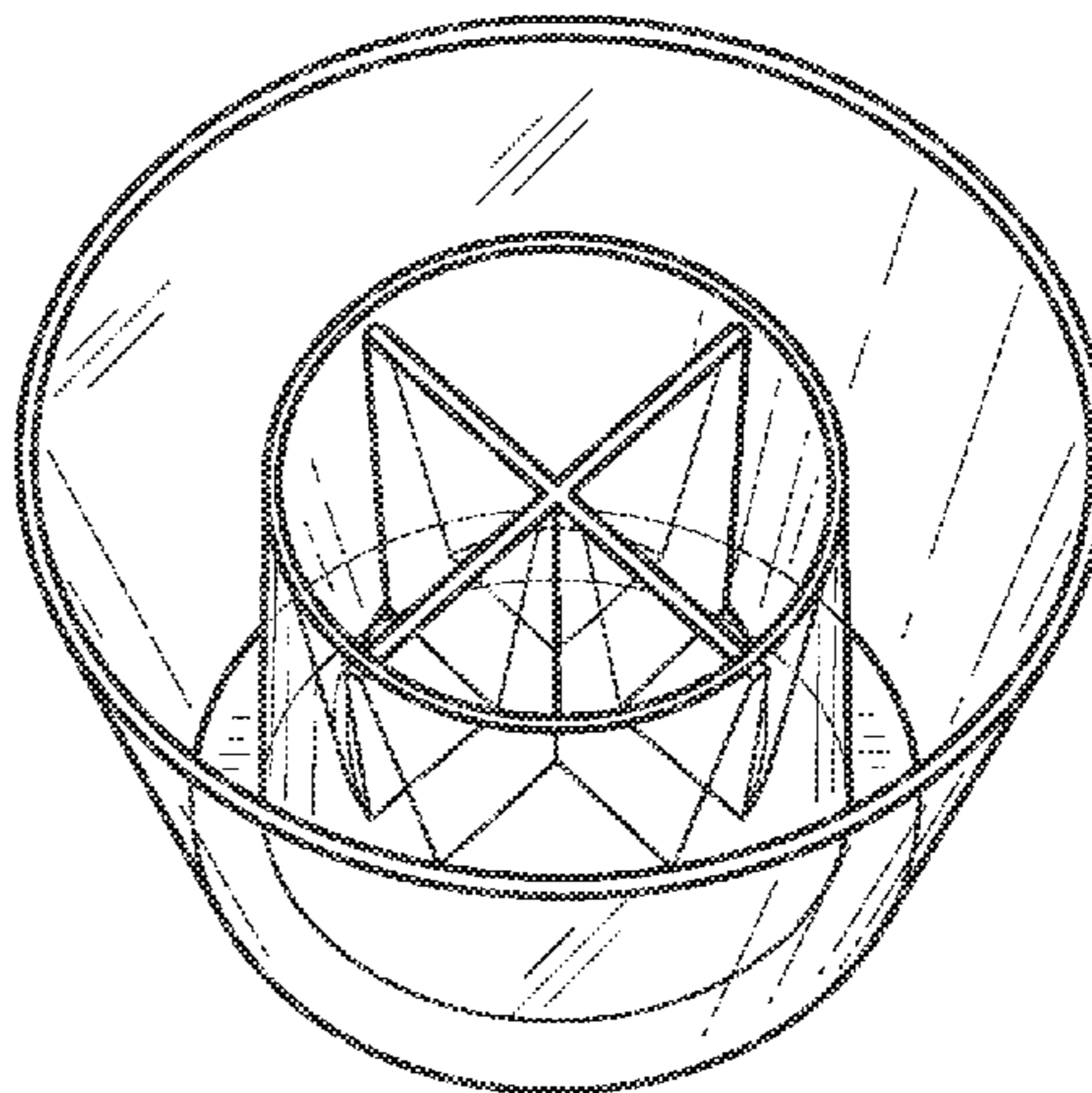
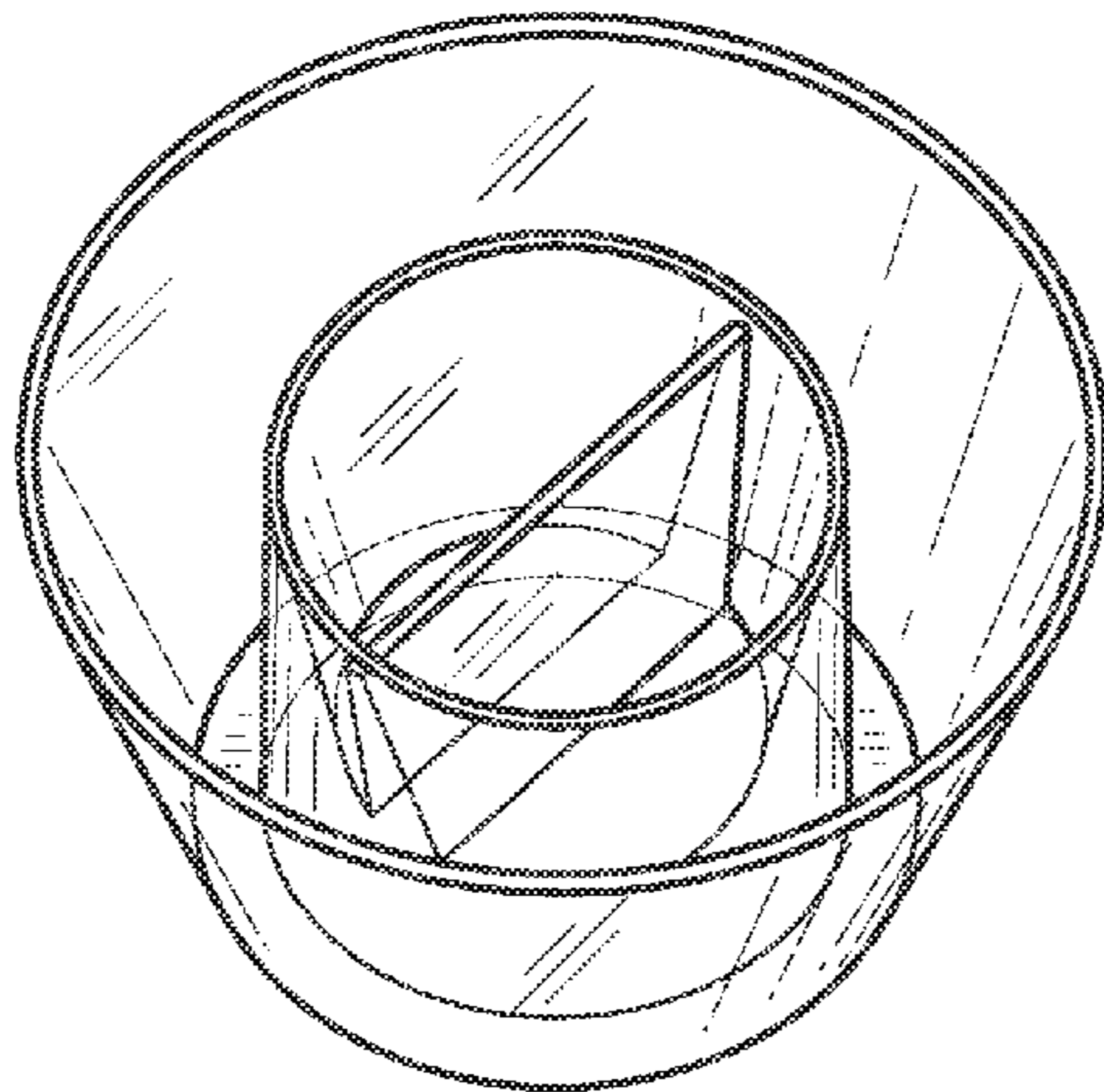
I claim the ornamental design for a drinking vessel, as shown and described.

**DESCRIPTION**

FIG. 1 is a top and side perspective view of a drinking vessel showing my new design;  
FIG. 2 is a side elevation view thereof, wherein the position of a middle portion is on a split between two inner walls, the opposite view being the same;

FIG. 3 is a side elevation view thereof, wherein the position of the middle portion is centered on an inner wall (rotated 90 degrees from the view in FIG. 2), the opposite view being the same, wherein views from other sides can be understood from the perspective view;  
FIG. 4 is a top plan view thereof;  
FIG. 5 is a bottom plan view thereof;  
FIG. 6 is a vertical longitudinal sectional view along line 6—6 of FIG. 4;  
FIG. 7 is a top and side perspective view of another embodiment of my new design;  
FIG. 8 is a side elevation view thereof, wherein the position of a middle portion is on a split between two inner walls, the two other like views being the same;  
FIG. 9 is a side elevation view thereof, wherein the position of the middle portion is centered on the intersection of two inner walls (opposite the view in FIG. 8), the two other like views being the same, wherein views from other sides can be understood from the perspective view;  
FIG. 10 is a top plan view thereof;  
FIG. 11 is a bottom plan view thereof;  
FIG. 12 is a vertical longitudinal sectional view along line 12—12 of FIG. 10;  
FIG. 13 is a top and side perspective view of another embodiment of my new design;  
FIG. 14 is a side elevation view thereof, wherein the position of a middle portion is on a split between two inner walls, the three other like views being the same;  
FIG. 15 is a side elevation view thereof, wherein the position of the middle portion is centered on the intersection of two inner walls (rotated 45 degrees from the view in FIG. 14), wherein views from other sides can be understood from the perspective view;  
FIG. 16 is a top plan view thereof;  
FIG. 17 is a bottom plan view thereof; and,  
FIG. 18 is a vertical longitudinal sectional view along line 18—18 of FIG. 16.  
The oblique line surface treatment indicates a translucent as well as a transparent article.

**1 Claim, 12 Drawing Sheets**



# US D577,258 S

Page 2

## U.S. PATENT DOCUMENTS

1,168,027 A 1/1916 Nirdlinger  
D53,935 S \* 10/1919 Reaper ..... D7/557  
1,476,910 A 12/1923 Naugle  
1,832,585 A 11/1931 Sample  
D99,531 S 5/1936 Sterling  
D101,721 S 10/1936 Spinelli  
2,288,044 A 6/1942 Stemme  
2,335,016 A \* 11/1943 Lorenzen et al. .... 220/524  
2,428,056 A \* 9/1947 Wachsmann ..... 220/719  
2,493,633 A 1/1950 Mart  
D167,667 S 9/1952 Babany  
3,261,494 A 7/1966 Walker  
D222,375 S 10/1971 Bencik  
D258,796 S \* 4/1981 Paulides ..... D7/513  
4,395,015 A 7/1983 Reardon  
D304,658 S 11/1989 Mattei  
D310,941 S 10/1990 Carty  
5,242,071 A \* 9/1993 Goebel ..... 220/4.23  
5,405,030 A 4/1995 Frazier  
D375,200 S \* 11/1996 Nugent ..... D3/313  
D400,398 S 11/1998 McNaughton  
D416,443 S 11/1999 Kilpatrick et al.  
D424,768 S \* 5/2000 Tsou ..... D32/53  
6,123,214 A \* 9/2000 Goebel ..... 220/23.4  
6,138,862 A 10/2000 Tai  
D446,374 S \* 8/2001 Howard et al. .... D34/1  
D453,405 S \* 2/2002 Howard ..... D34/1

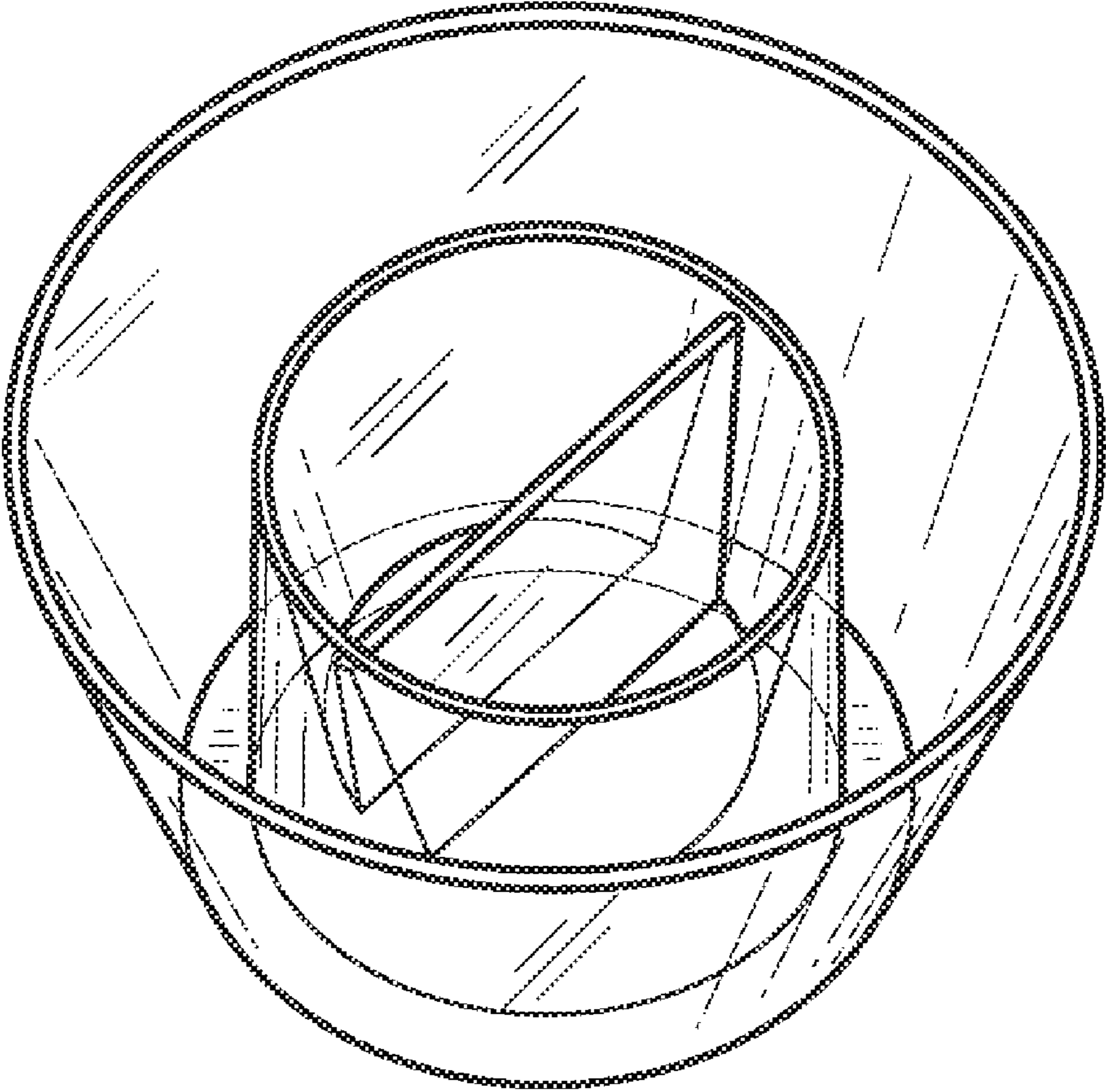
D471,404 S \* 3/2003 Gady ..... D7/523  
D471,803 S \* 3/2003 Trombly ..... D9/737  
D477,122 S \* 7/2003 Howard ..... D34/1  
D480,601 S 10/2003 Pettaweebuncha  
D515,870 S 2/2006 Akopyan  
7,168,584 B2 \* 1/2007 Akopyan ..... 220/23.83  
D539,091 S \* 3/2007 Mansfield ..... D7/513  
7,243,812 B2 \* 7/2007 Mansfield et al. .... 220/501  
D556,511 S \* 12/2007 Mansfield et al. .... D7/523  
D556,512 S \* 12/2007 Mansfield et al. .... D7/523  
D557,985 S \* 12/2007 Arcangeli et al. .... D7/536  
D562,074 S \* 2/2008 Mansfield ..... D7/523  
2006/0021986 A1 \* 2/2006 Mansfield et al. .... 220/506  
2006/0169699 A1 \* 8/2006 Mansfield et al. .... 220/506  
2006/0169700 A1 \* 8/2006 Mansfield et al. .... 220/506

## OTHER PUBLICATIONS

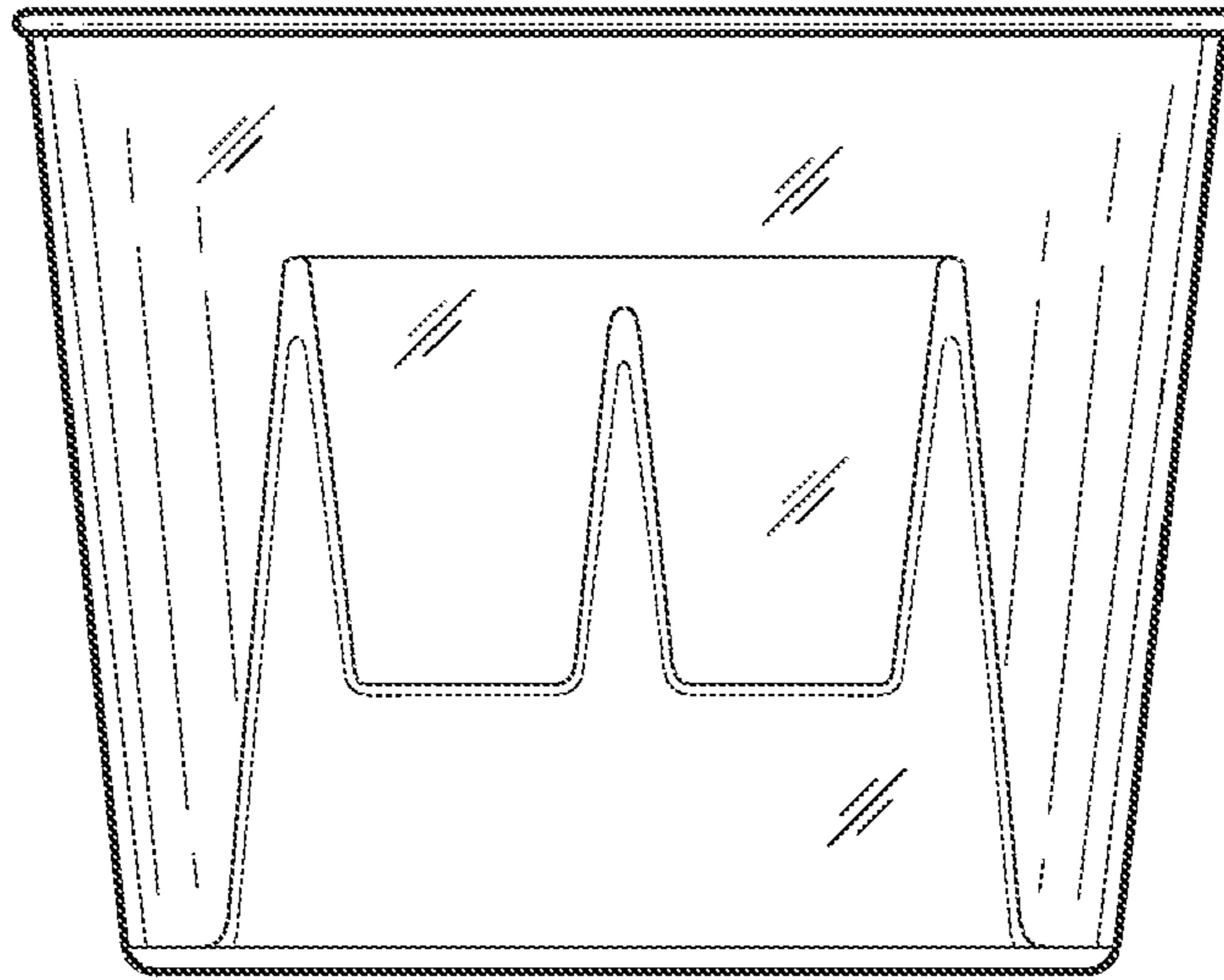
By George, LLC, Disposabomb Datasheet [online] [retrieved on Nov. 16, 2005], Retrieved from the Internet: <URL <http://www.disposabomb.com/home.htm>> 1 page, Domain registered May 13, 2005.

Hurricane Shooters, LLC, Bomber Datasheet [online] [Retrieved on Nov. 22, 2005], Retrieved from the Internet: <URL [www.hurricaneshooters.com/products.php](http://www.hurricanesshooters.com/products.php)> 1 page, Domain registered Nov. 24, 2004.

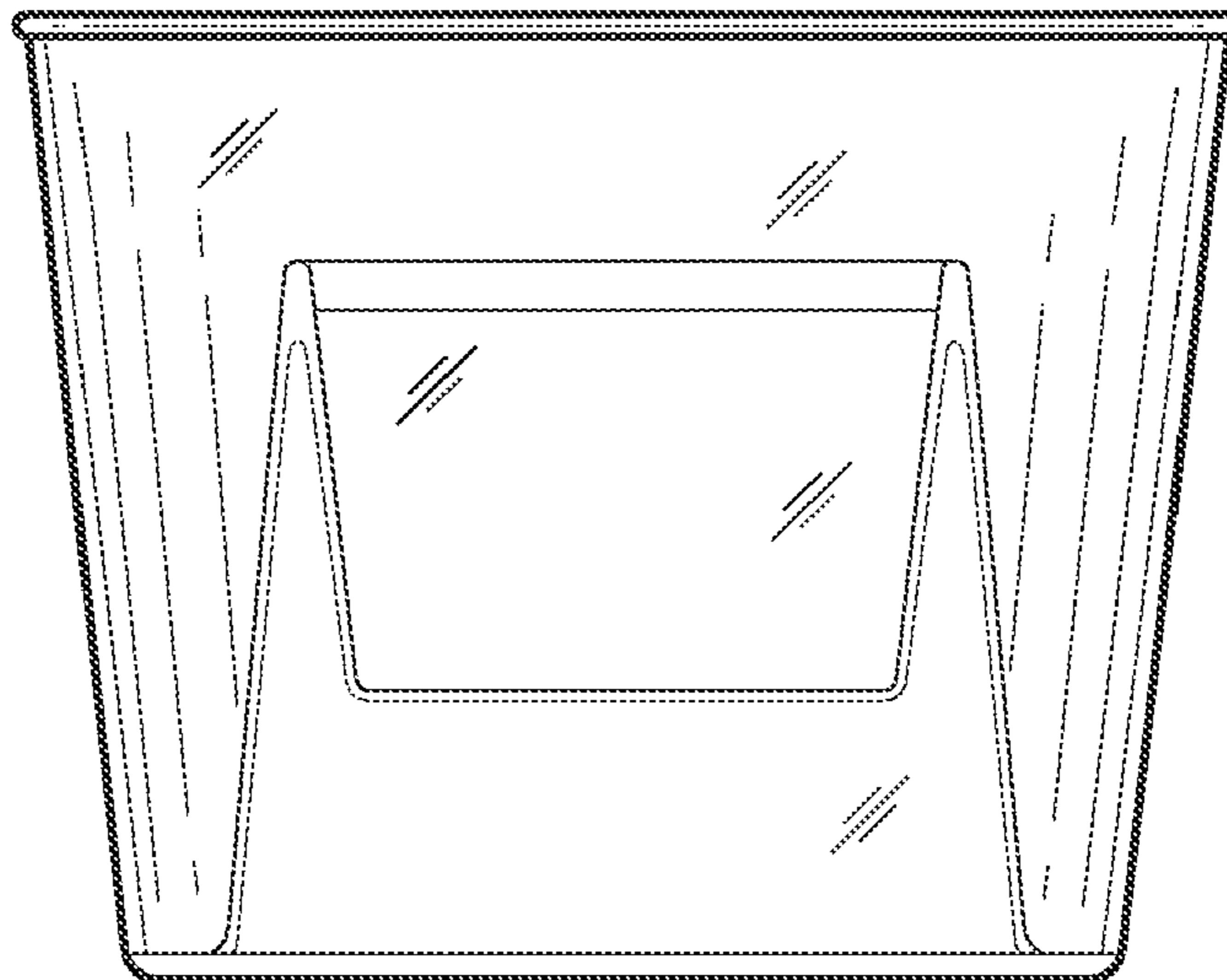
\* cited by examiner



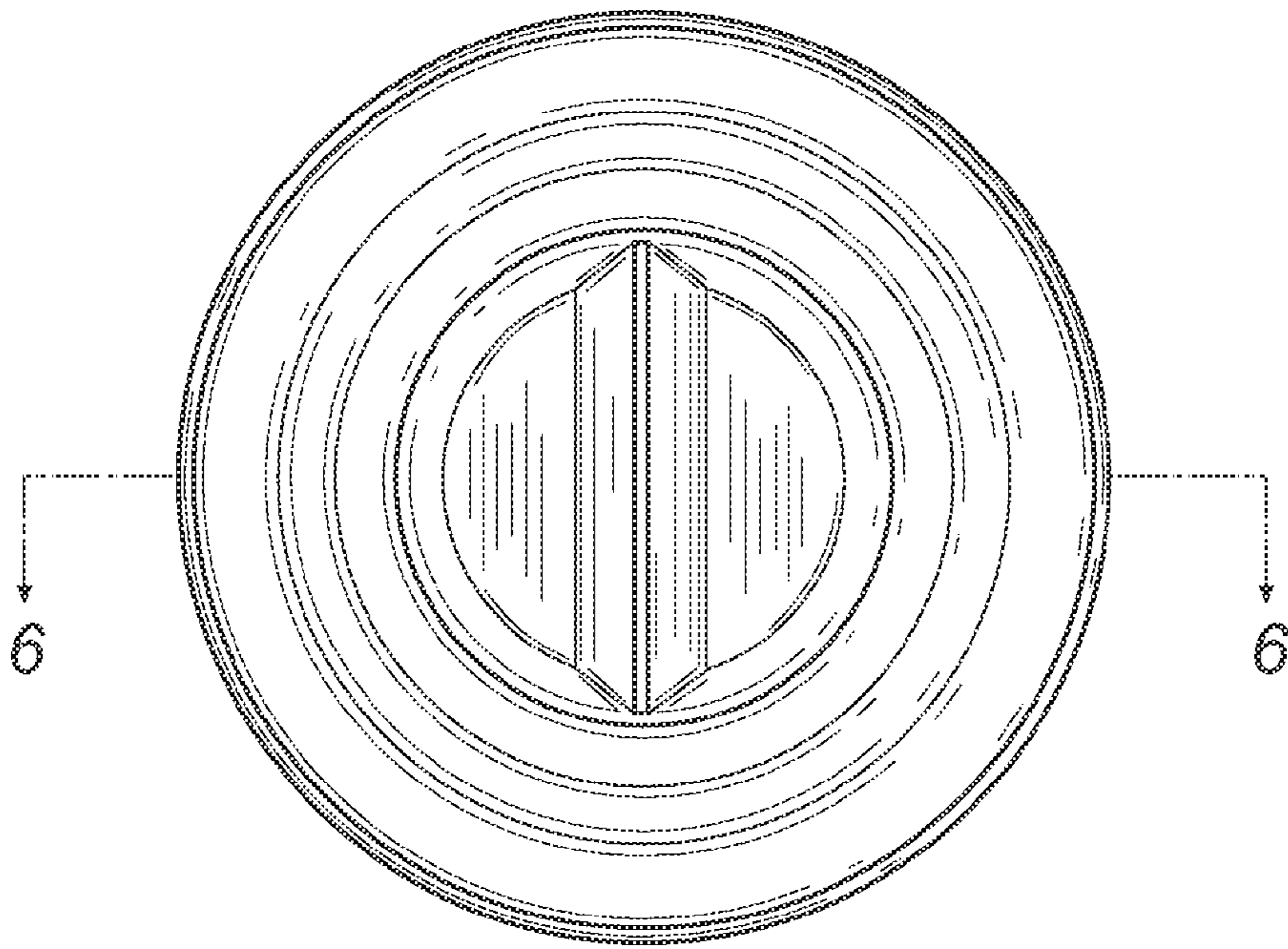
**FIG. 1**



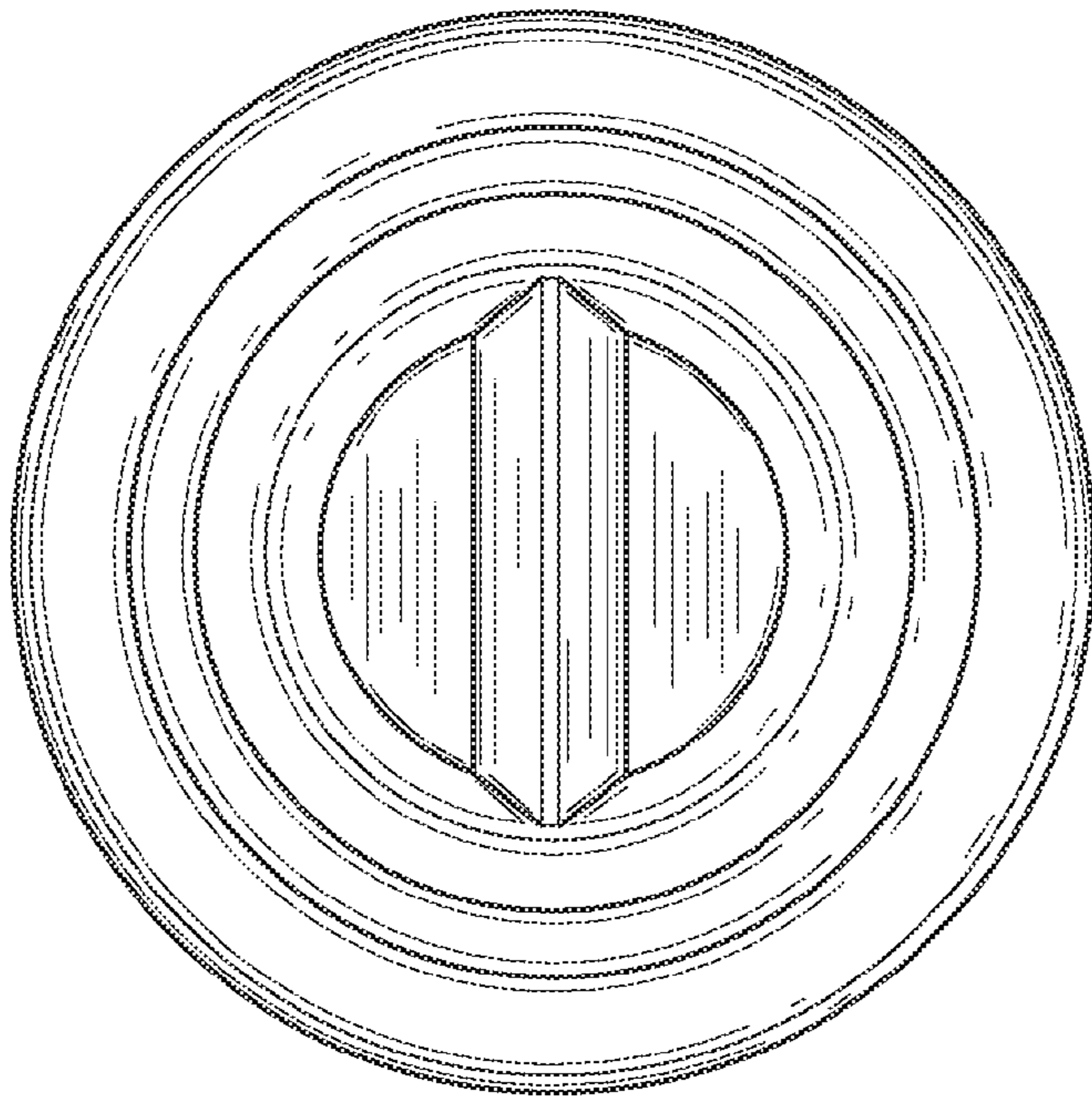
**FIG. 2**



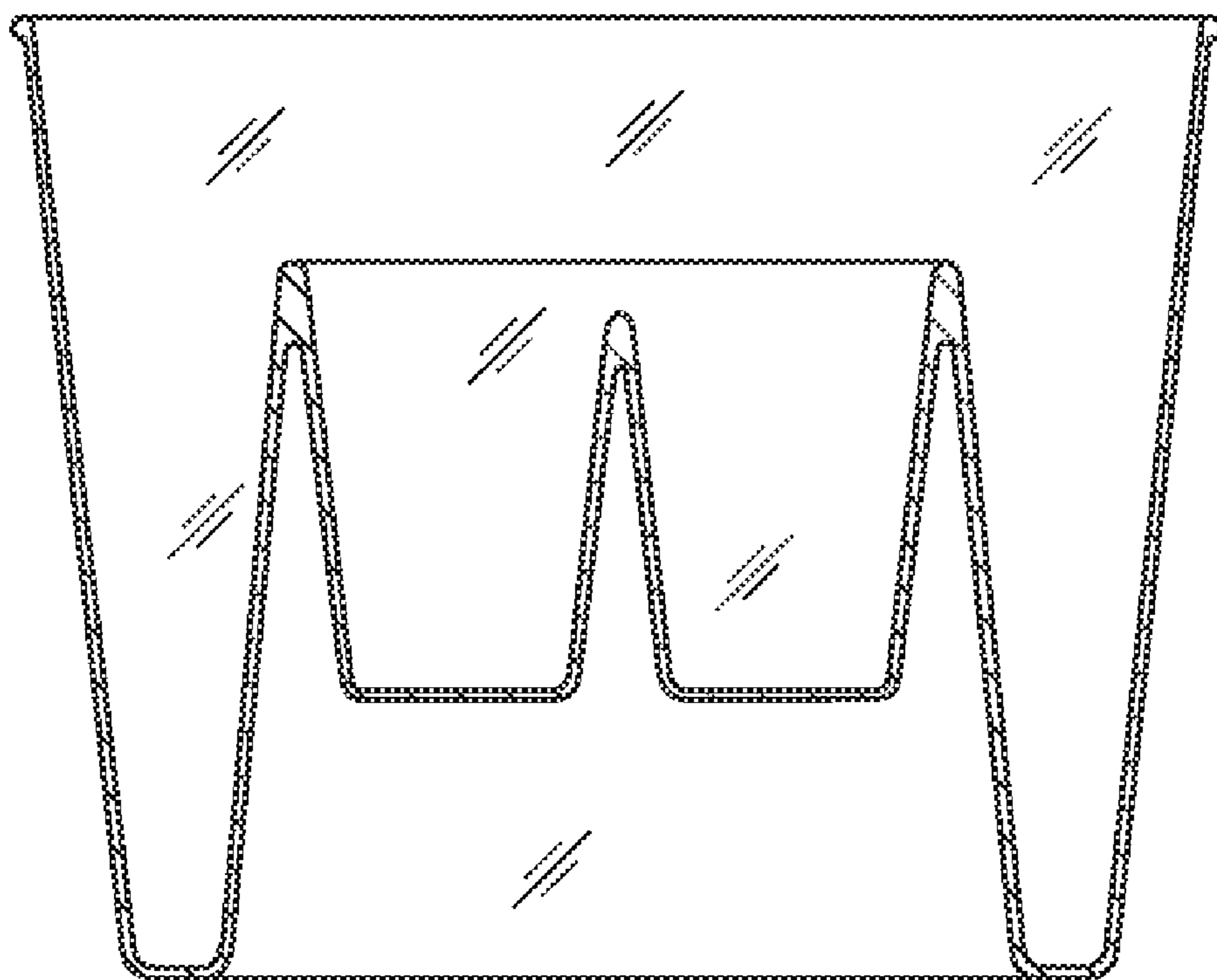
**FIG. 3**



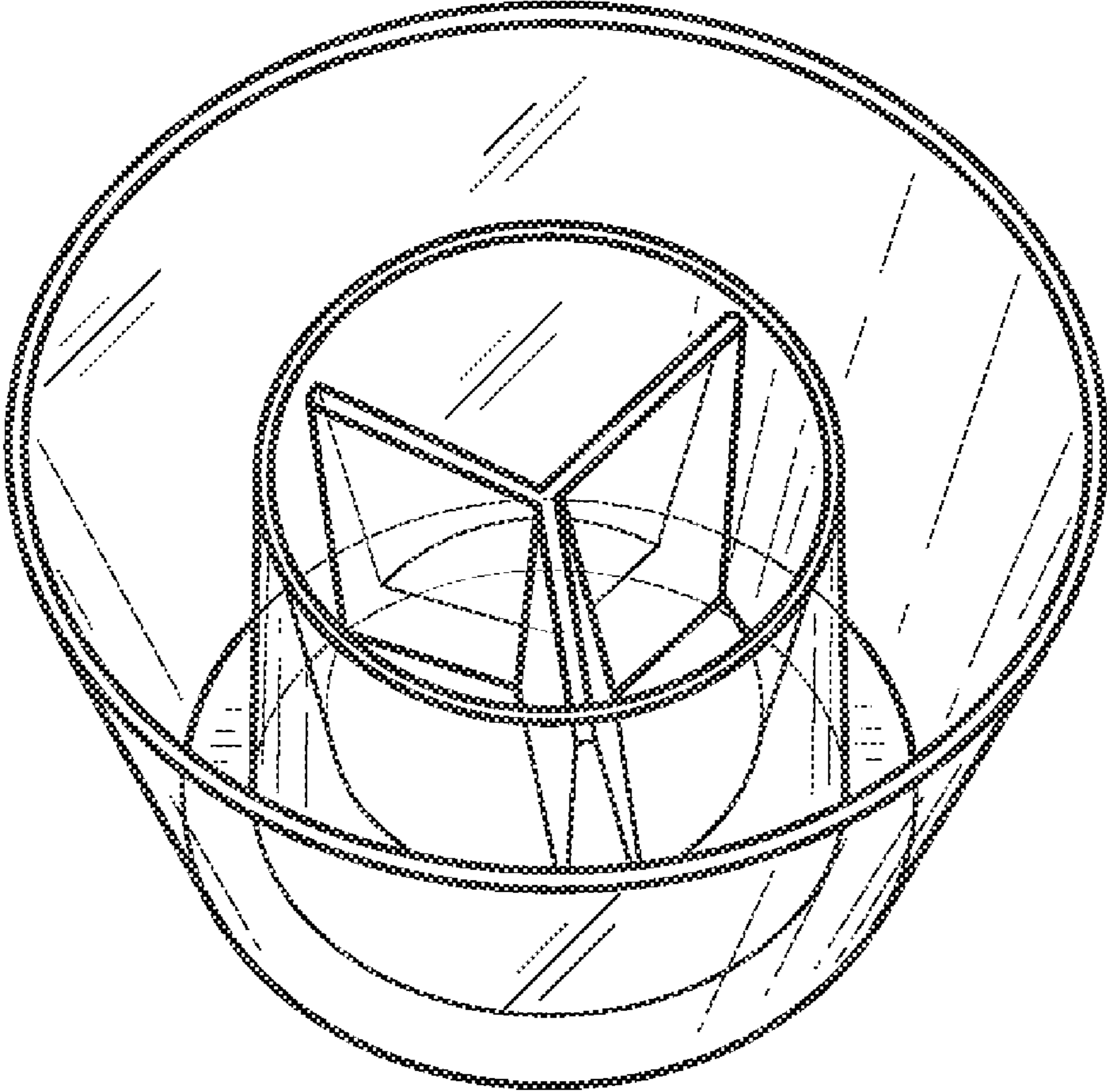
**FIG. 4**



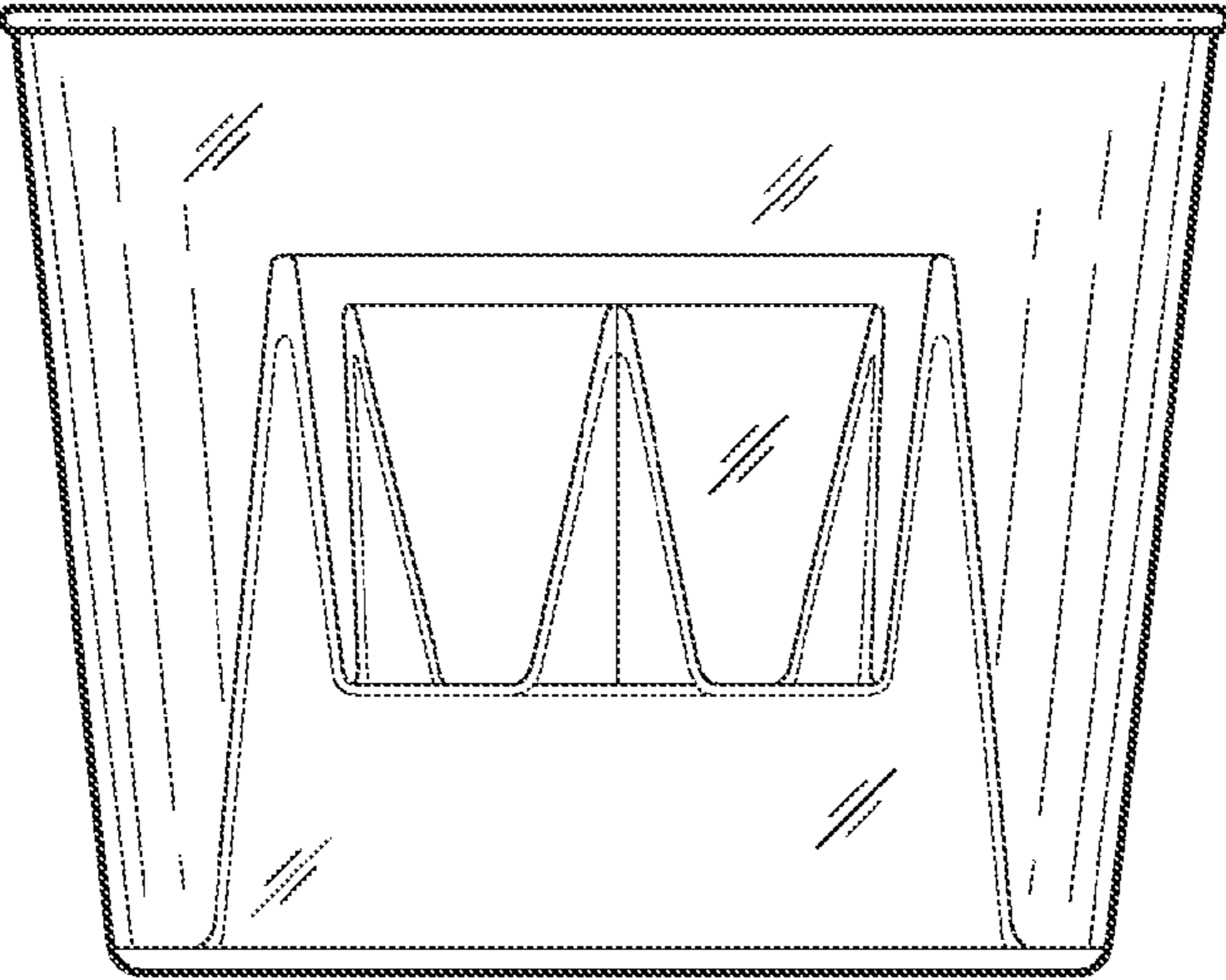
**FIG. 5**



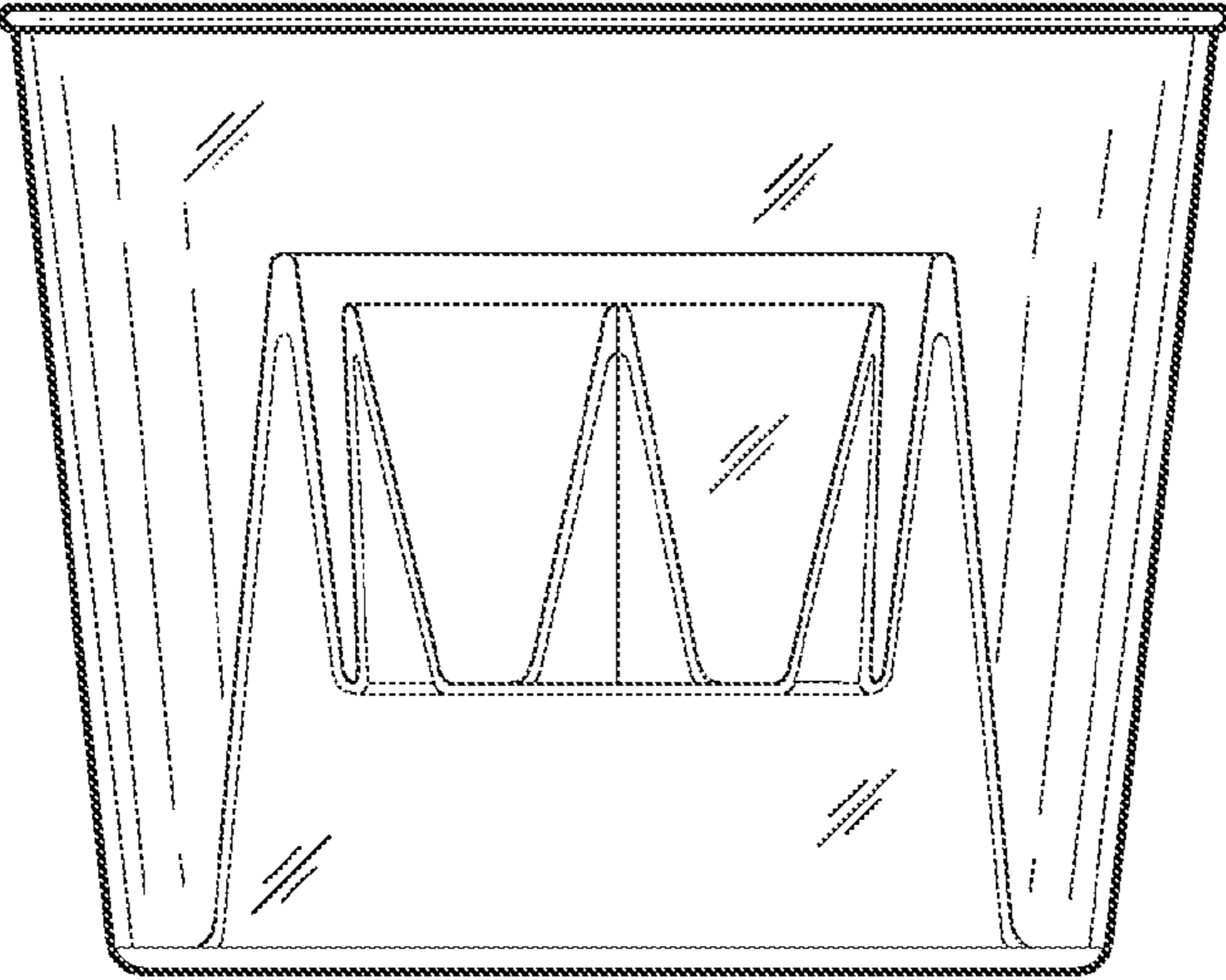
**FIG. 6**



**FIG. 7**

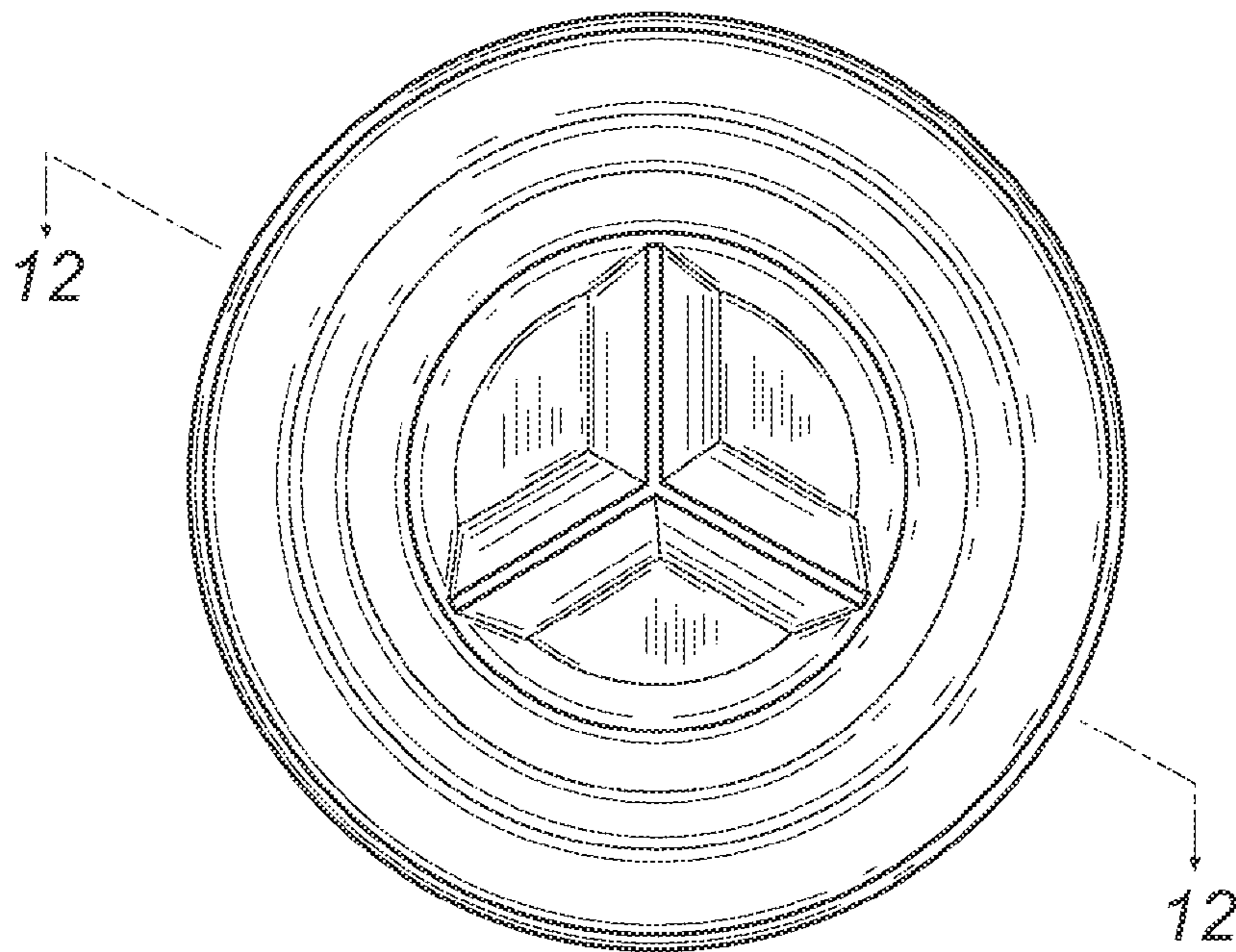


**FIG. 8**

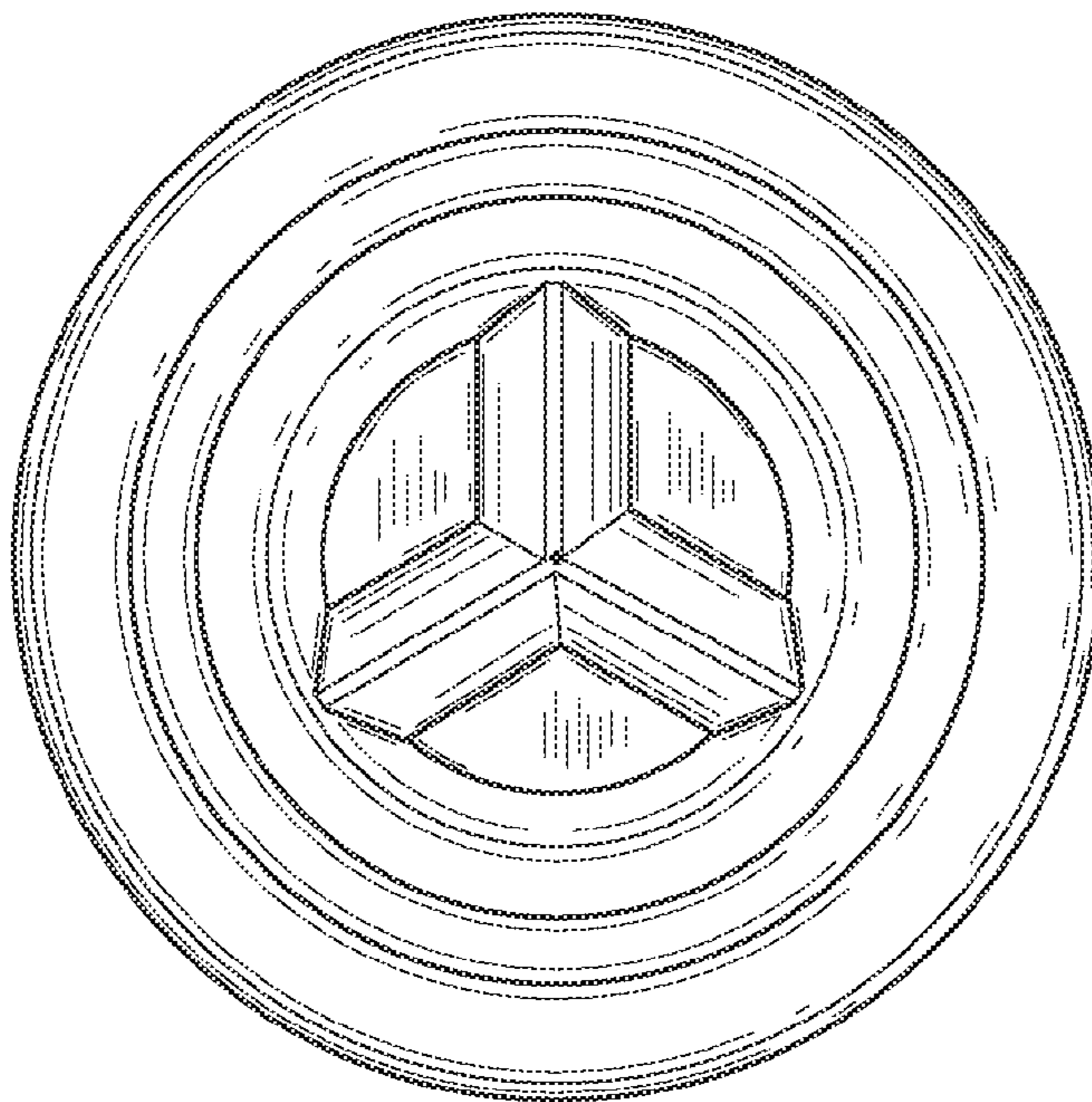


**FIG. 9**

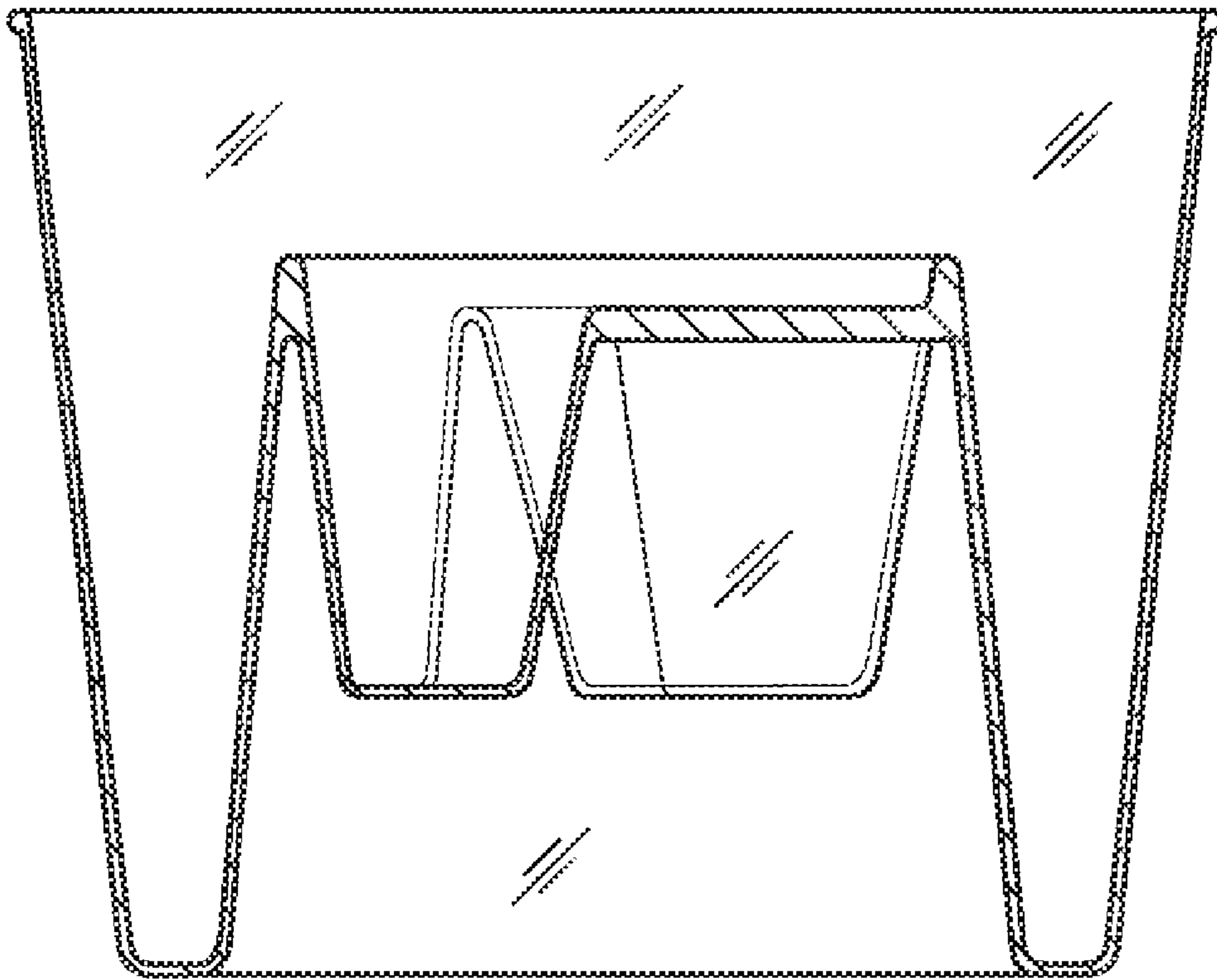




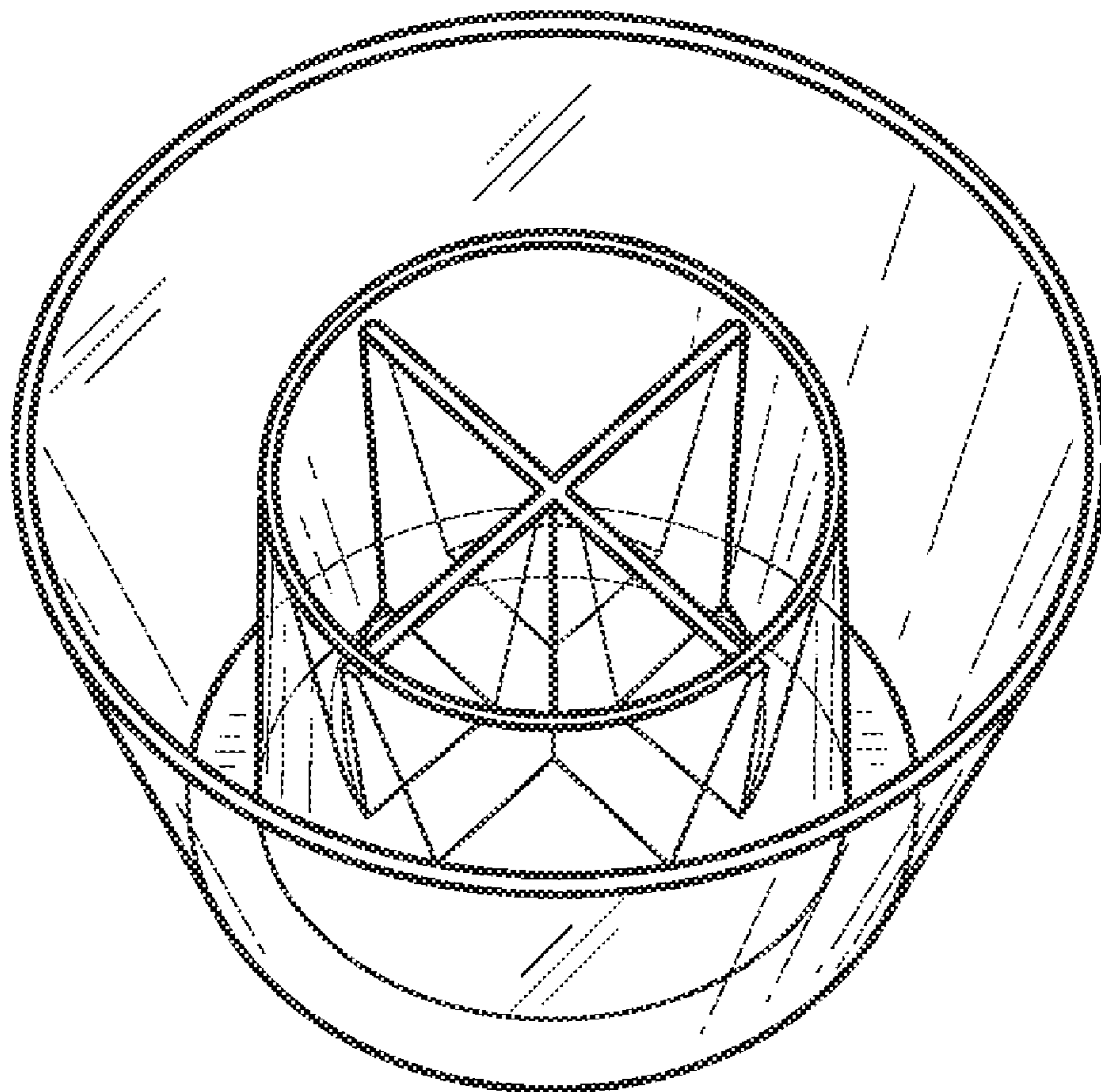
**FIG. 10**



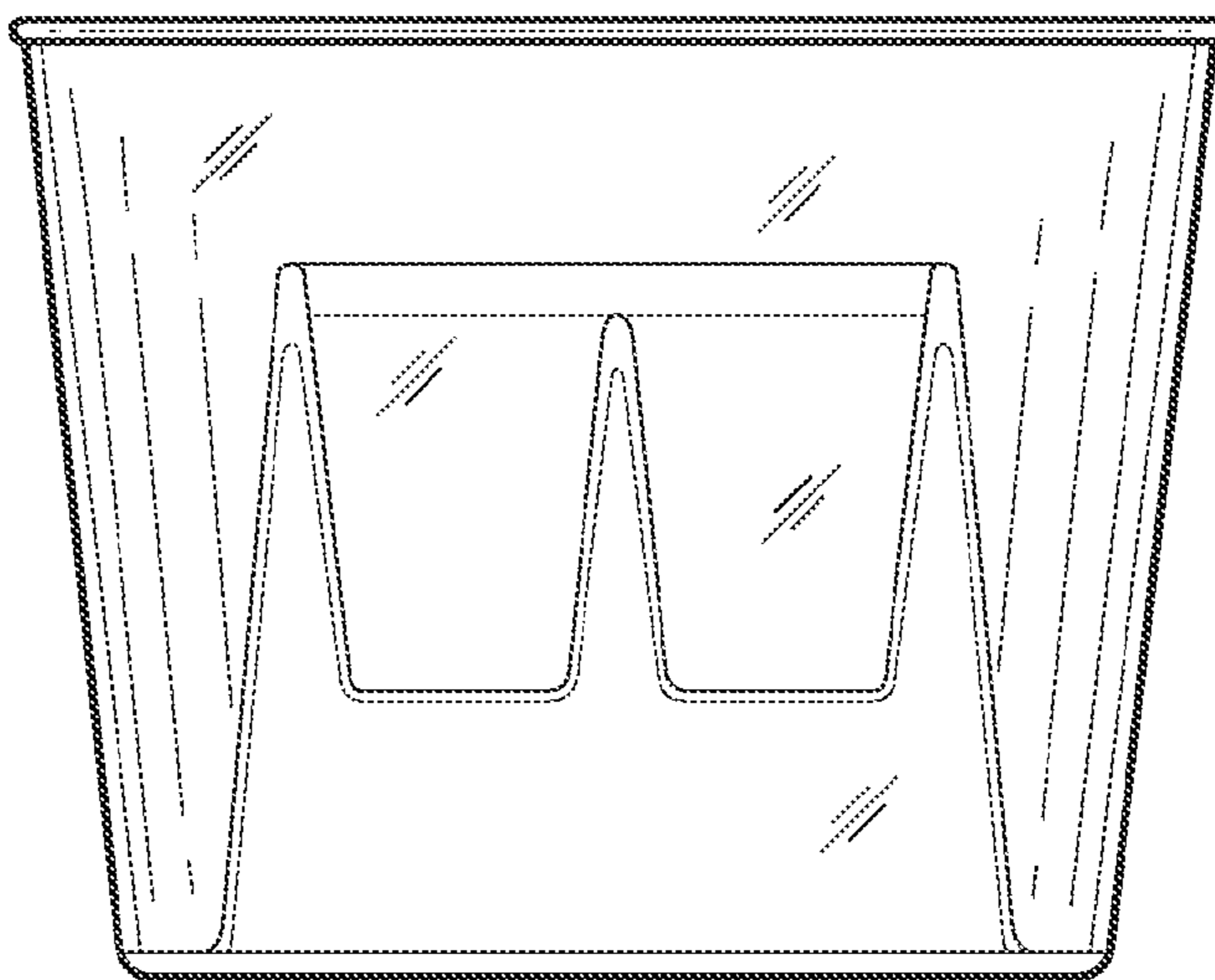
**FIG. 11**



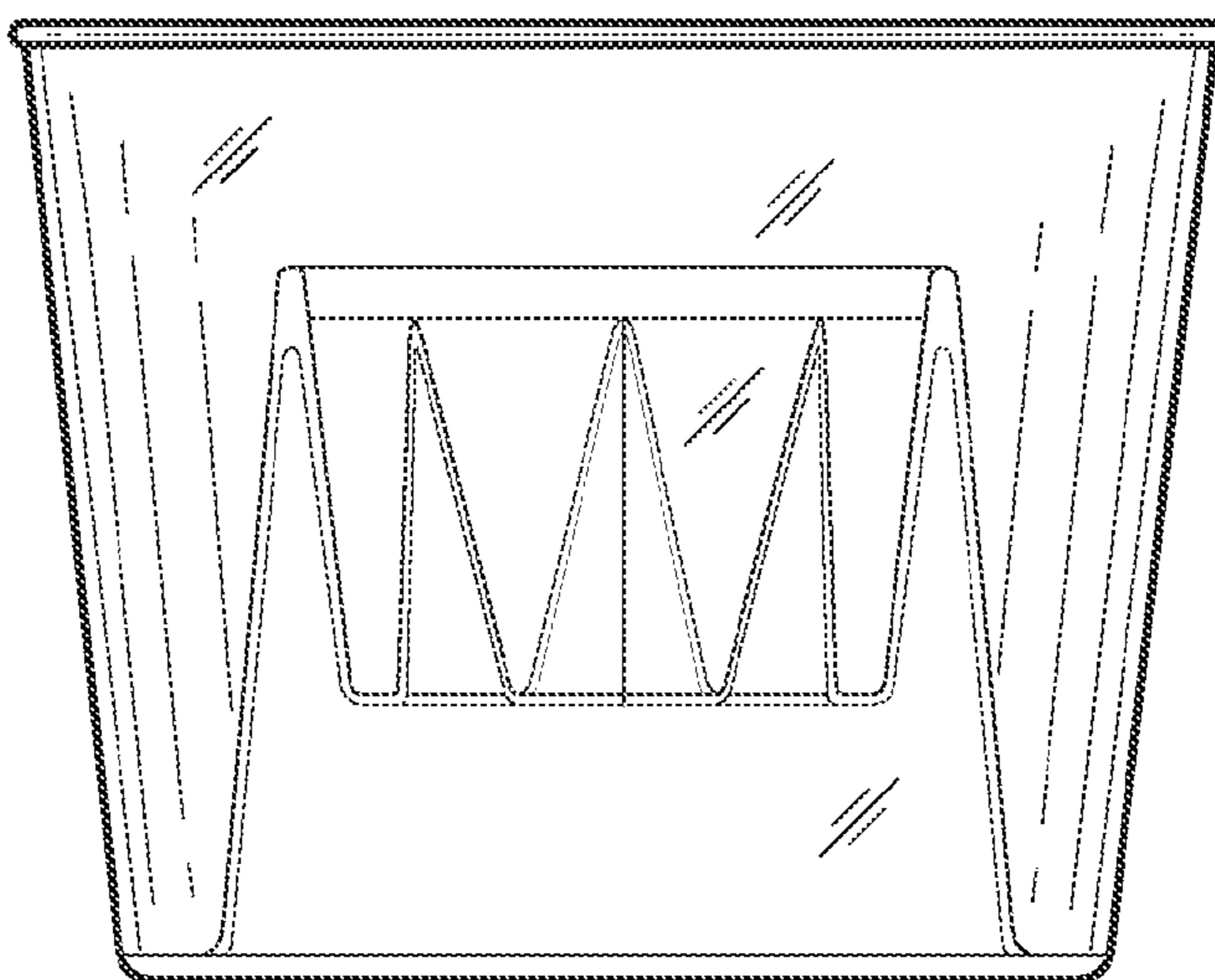
**FIG. 12**



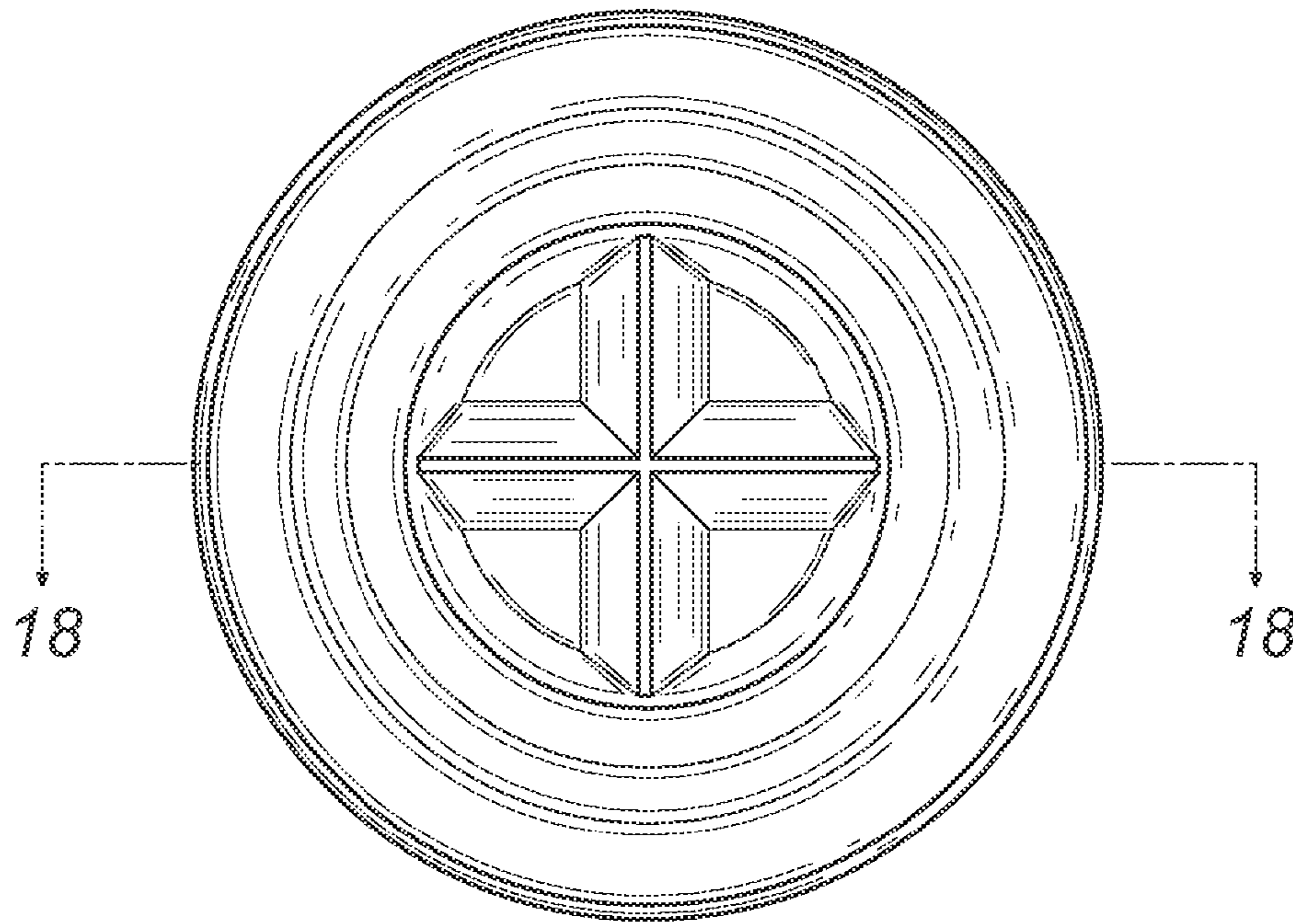
**FIG. 13**



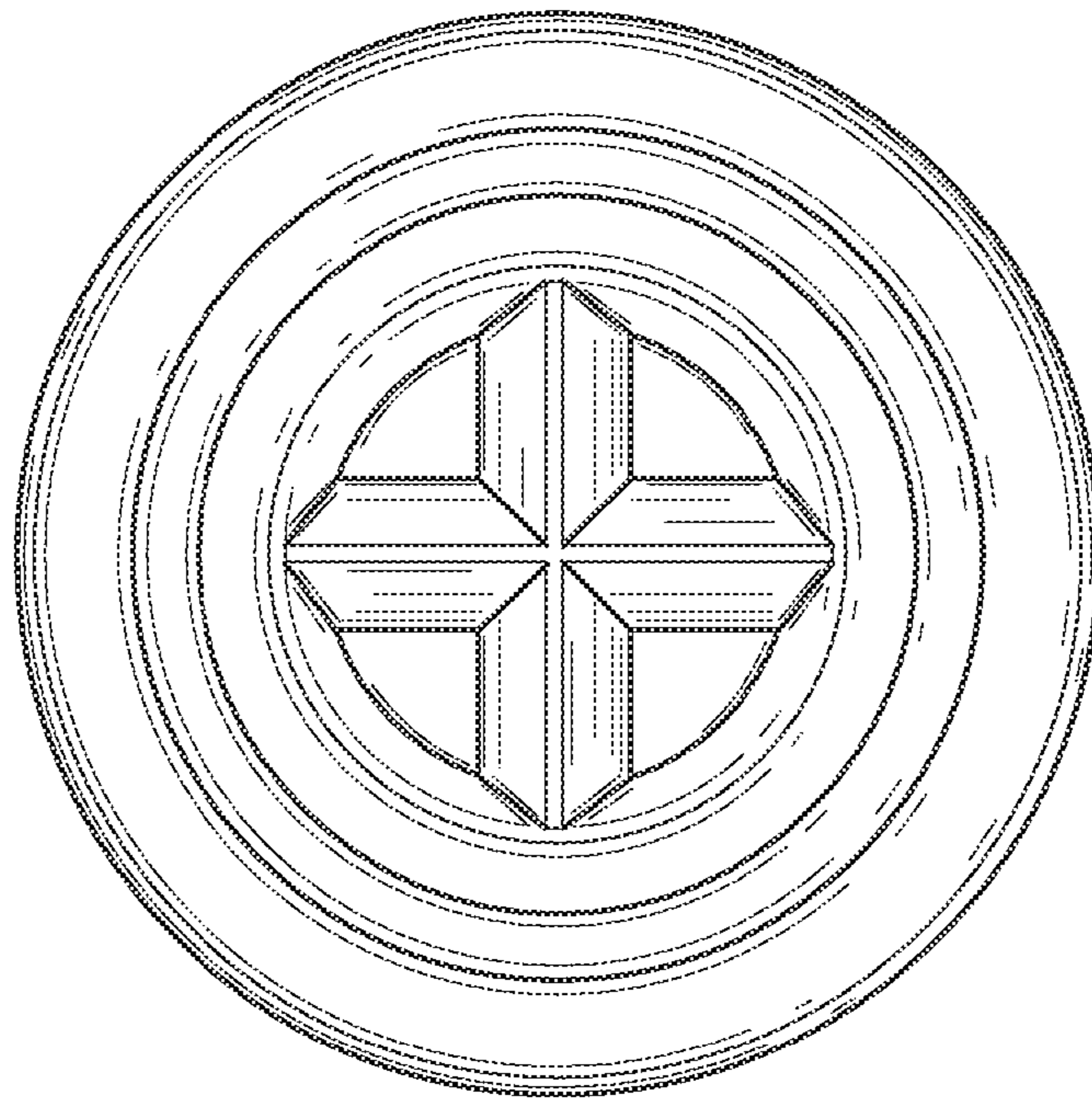
**FIG. 14**



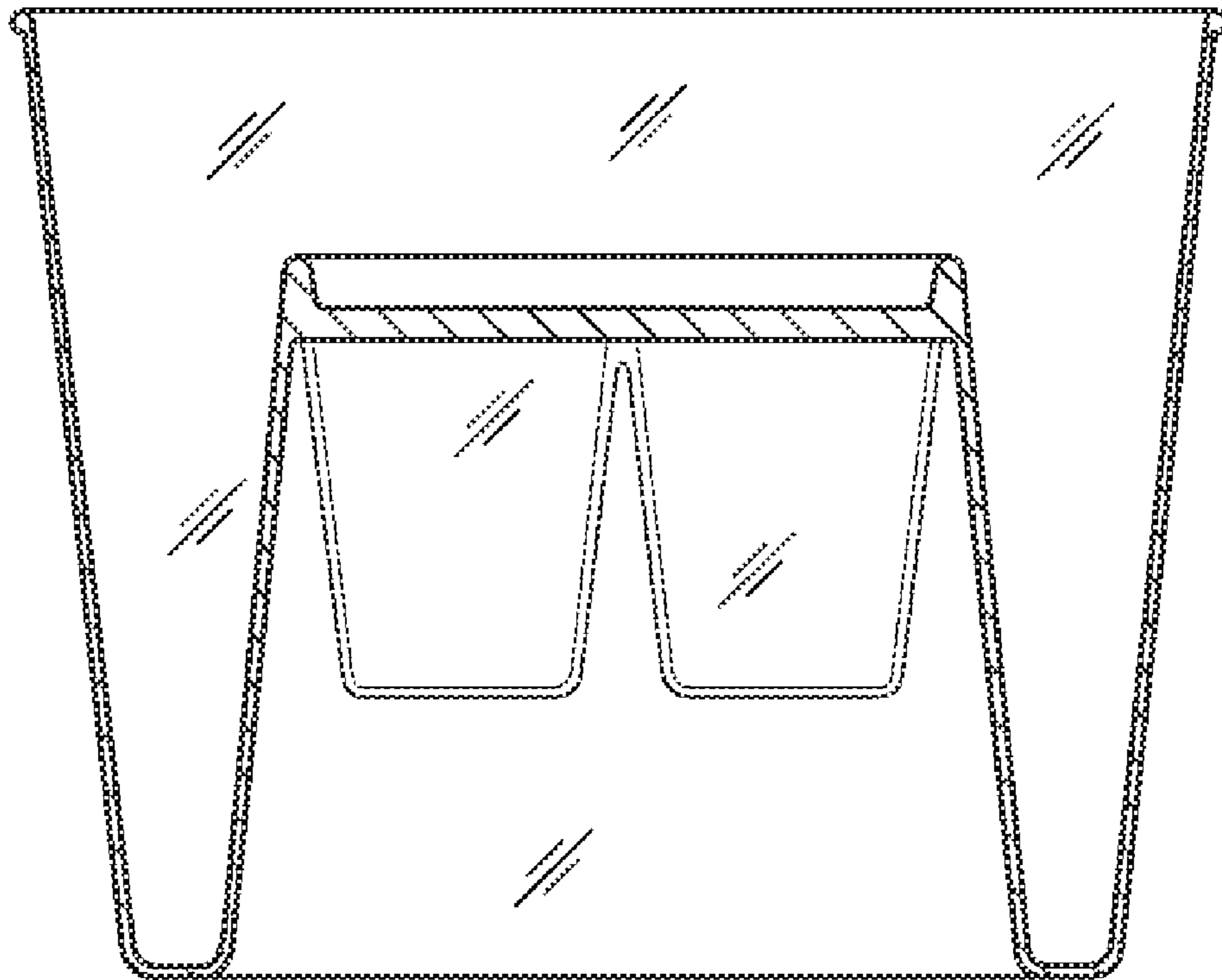
**FIG. 15**



**FIG. 16**



**FIG. 17**



**FIG. 18**