



US00D577257S

(12) **United States Design Patent**
Kuan

(10) **Patent No.:** **US D577,257 S**

(45) **Date of Patent:** **** Sep. 23, 2008**

(54) **BASE OF FOOD PROCESSOR**

D490,875 S * 6/2004 Kim D23/207

* cited by examiner

(76) Inventor: **Huo Feng Hsia Kuan**, No. 32, Lane 2,
Show-Gang Wu Street, Hsin-Tien, Taipei
Hsien (TW)

Primary Examiner—Caron D. Veynar

Assistant Examiner—Ricky Pham

(74) *Attorney, Agent, or Firm*—Troxell Law Office, PLLC

(**) Term: **14 Years**

(57) **CLAIM**

(21) Appl. No.: **29/290,918**

The ornamental design for base of food processor, as shown
and described.

(22) Filed: **Jan. 30, 2008**

(51) **LOC (8) Cl.** **07-02**

(52) **U.S. Cl.** **D7/412; D7/384**

(58) **Field of Classification Search** D7/372,
D7/368, 376–386, 412–414, 665, 693; D23/207;
99/492, 509–511; 100/213–218; 241/166–169,
241/274–278.2, 285.1–285.3, 291, 292.1;
366/64–67, 98, 197–207, 241–254, 279–292,
366/341–343

See application file for complete search history.

DESCRIPTION

FIG. 1 is a perspective view of a base of food processor
showing my new design;

FIG. 2 is a perspective view thereof, shown with the body of
the food processor in broken lines for environmental purposes
only;

FIG. 3 is a front side view thereof;

FIG. 4 is a rear side view thereof;

FIG. 5 is a right side view thereof;

FIG. 6 is a left side view thereof;

FIG. 7 is a top plan view thereof; and,

FIG. 8 is a bottom plan view thereof.

The broken lines shown in the drawings are for illustrative
purposes only and form no part of the claimed design.

(56) **References Cited**

U.S. PATENT DOCUMENTS

D413,761 S * 9/1999 Conran et al. D7/384

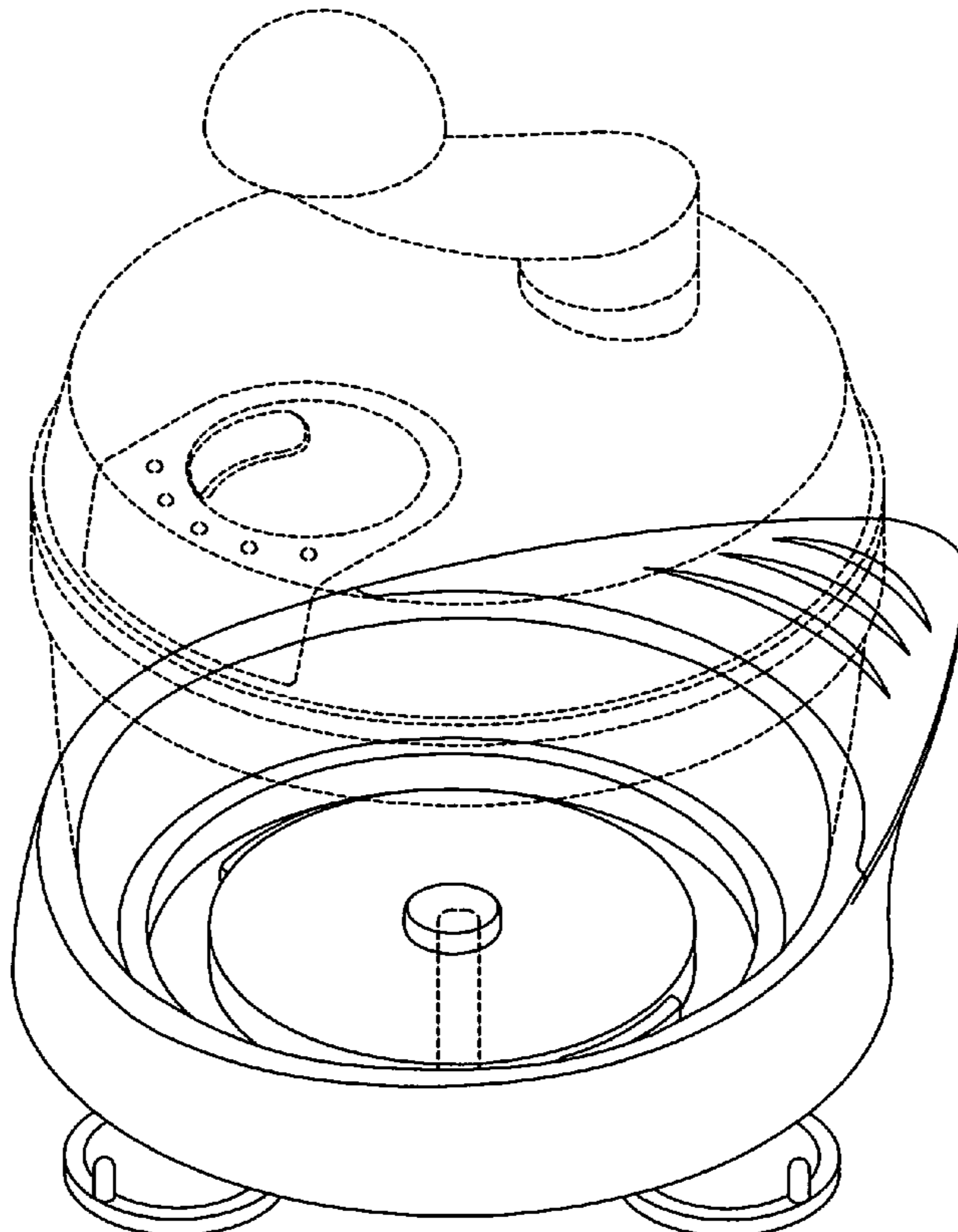
D426,744 S * 6/2000 Wong D7/384

D434,597 S * 12/2000 Yip D7/384

D465,966 S * 11/2002 Daftari D7/368

D480,613 S * 10/2003 Wong D7/693

1 Claim, 6 Drawing Sheets



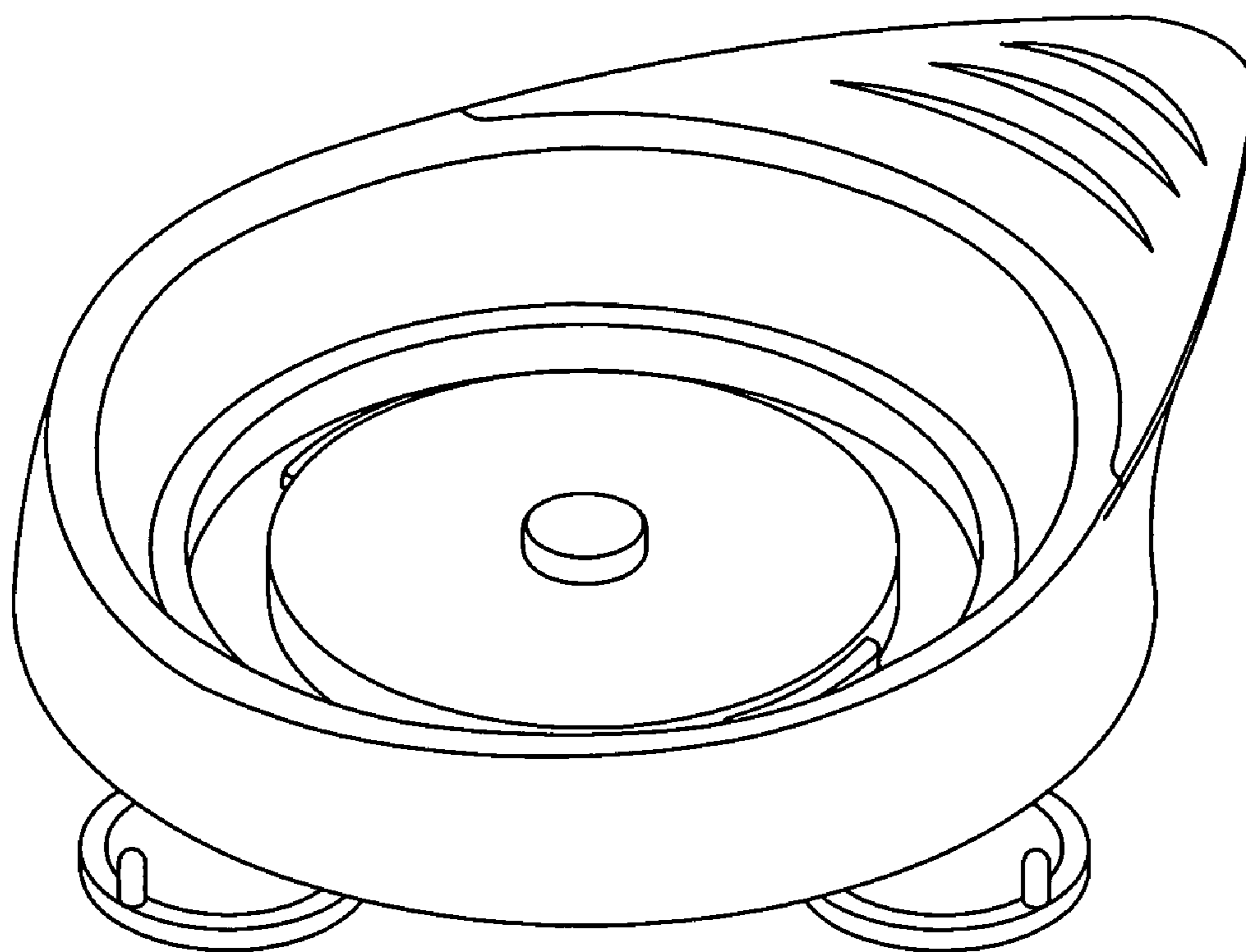


FIG. 1

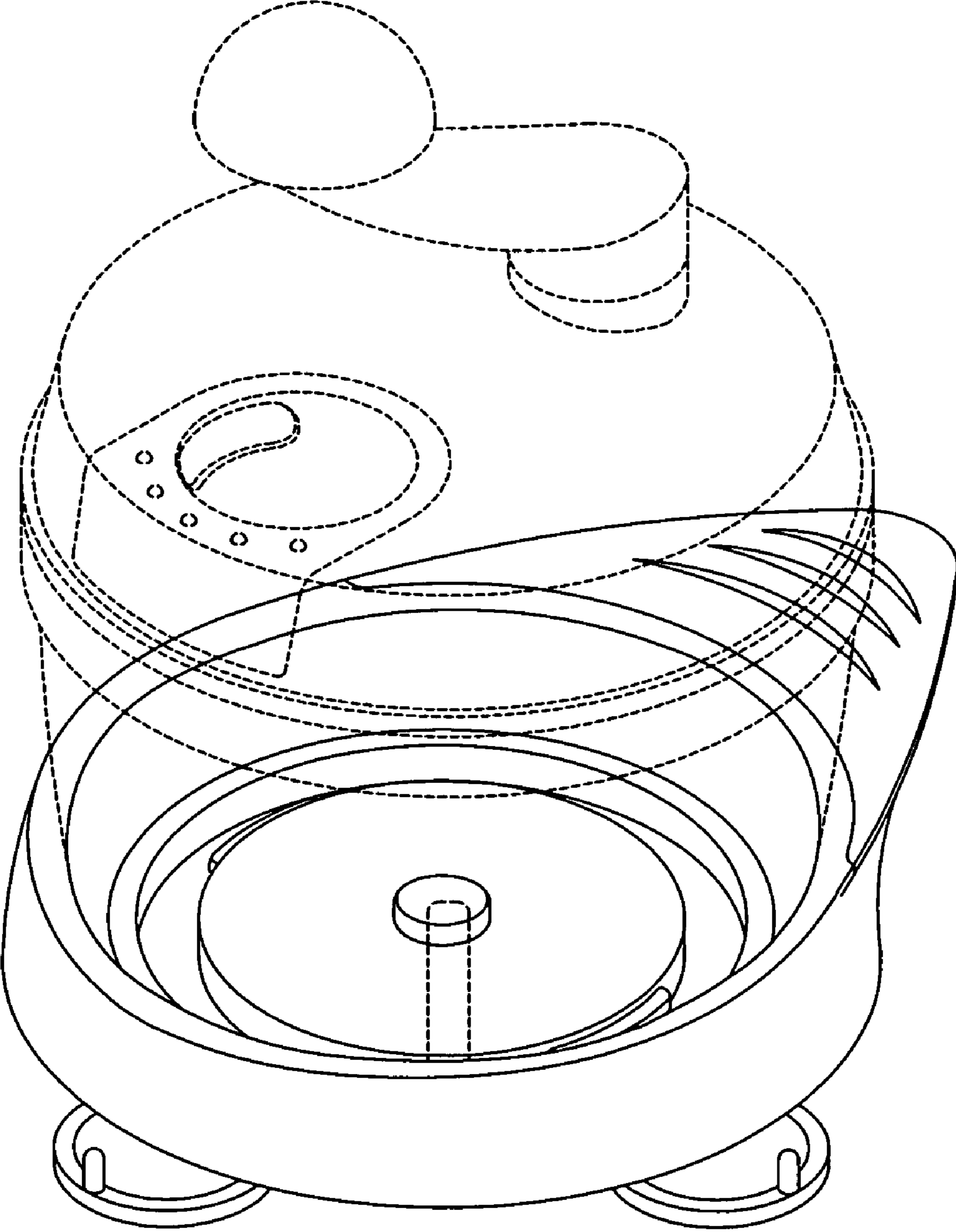


FIG. 2

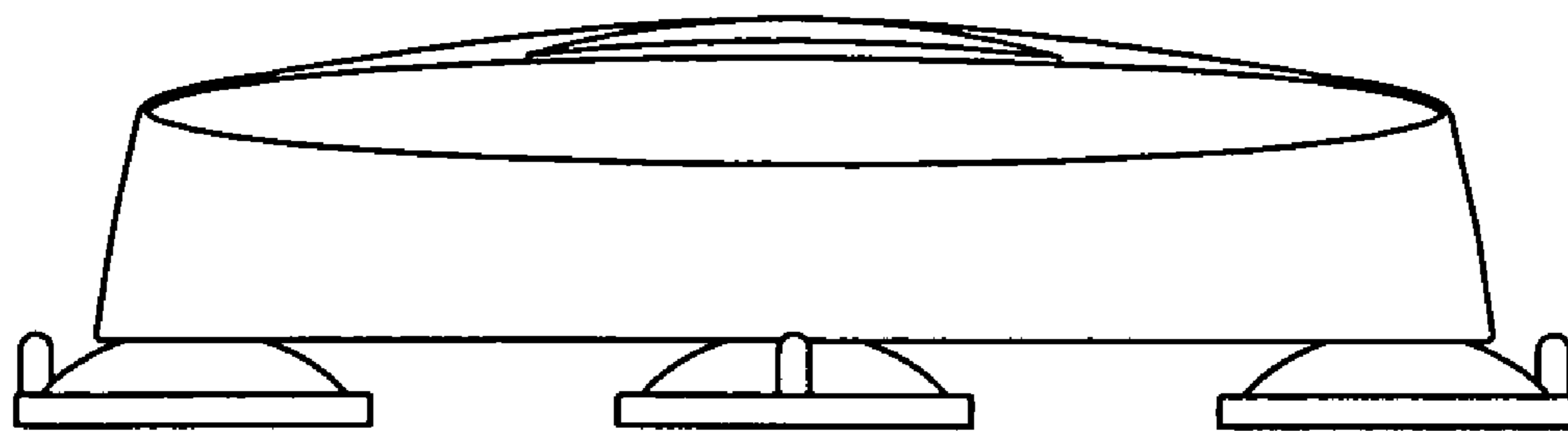


FIG. 3

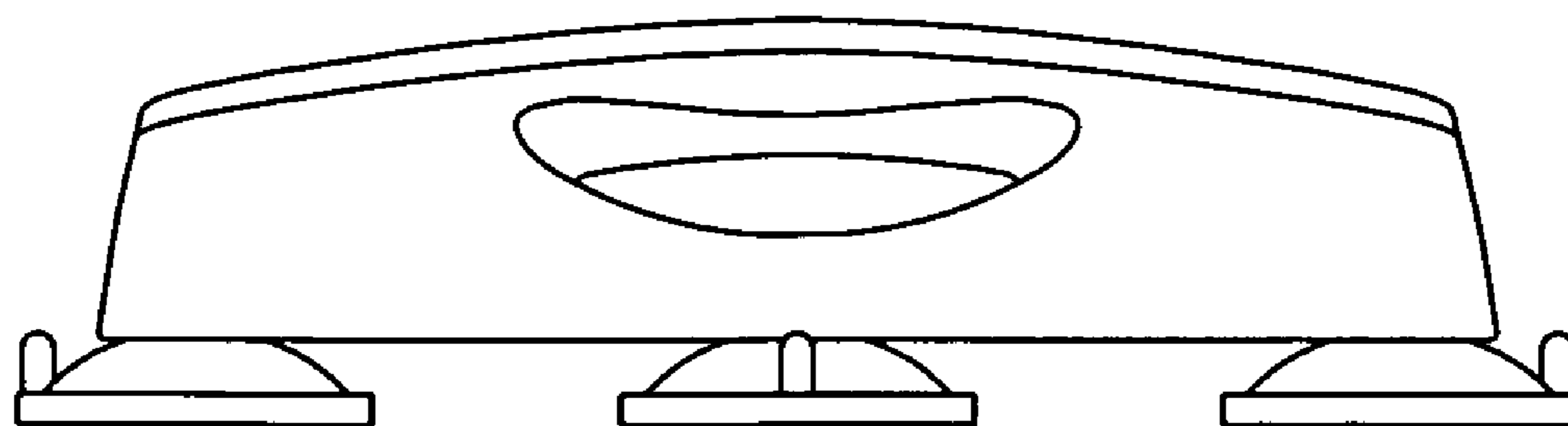


FIG. 4

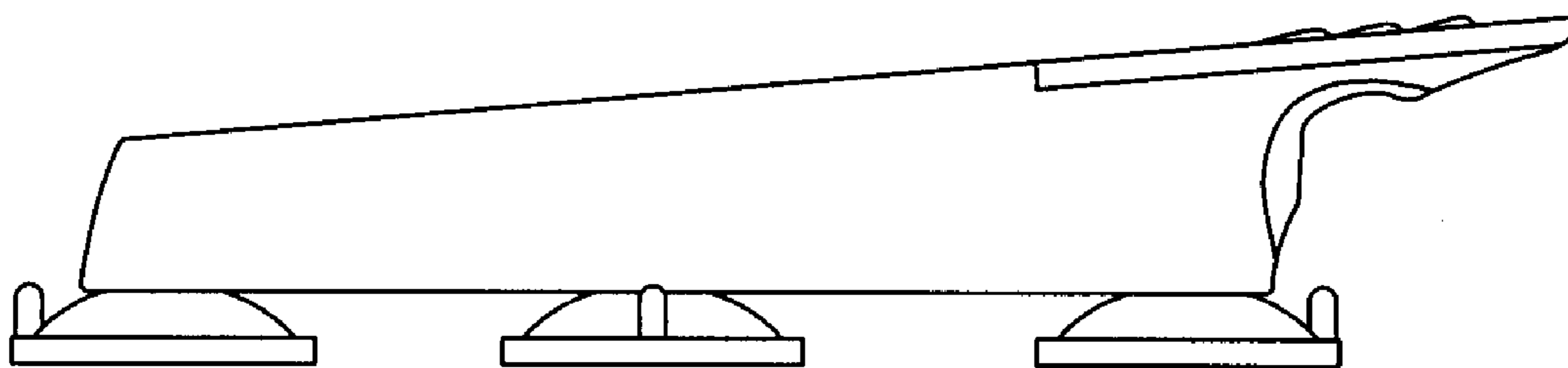


FIG. 5

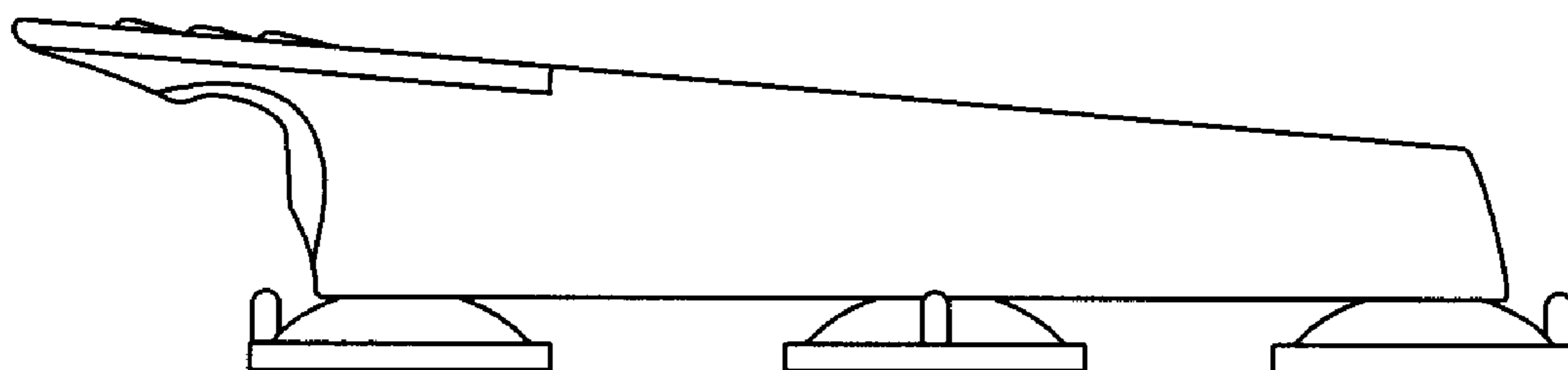


FIG. 6

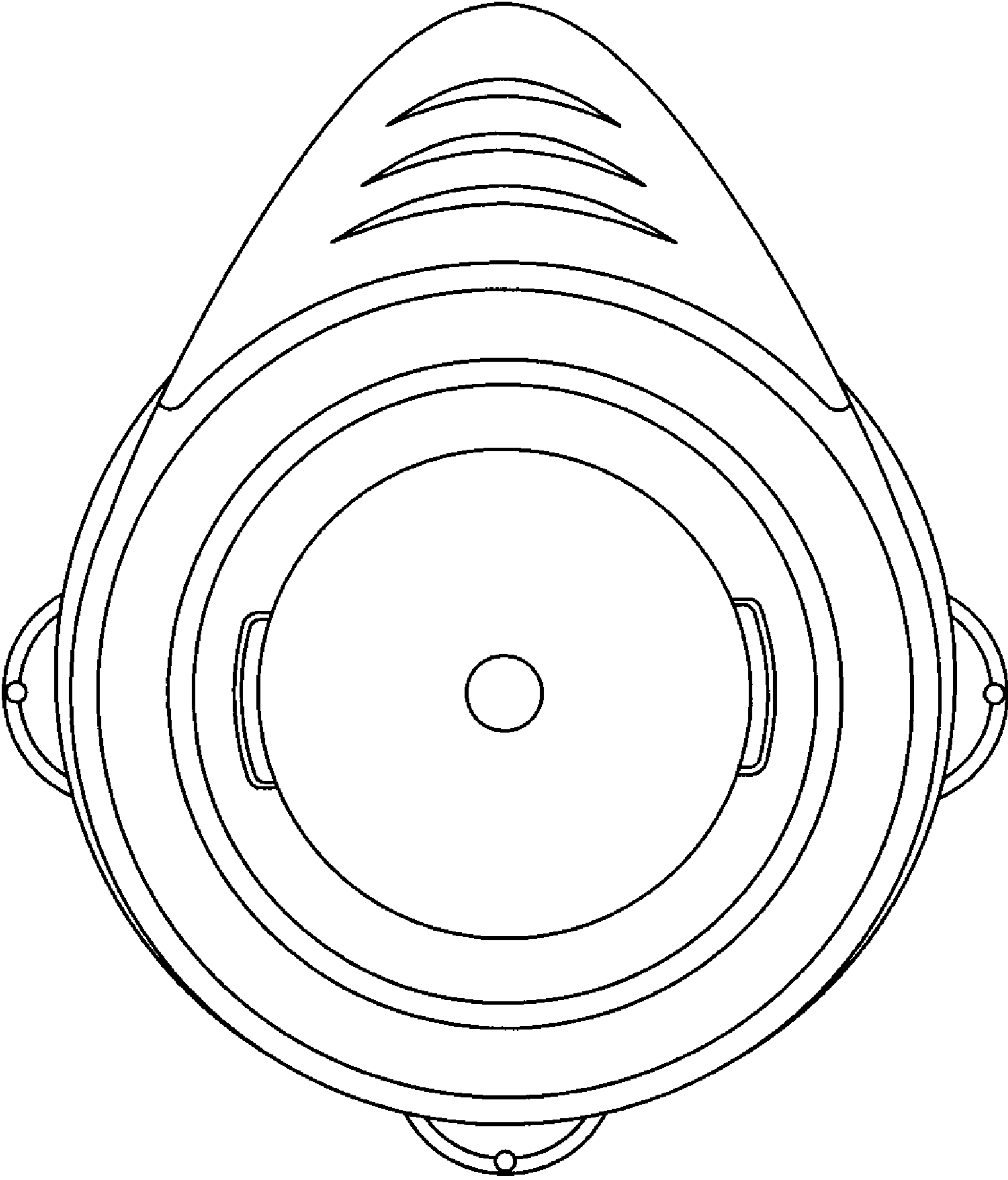


FIG. 7

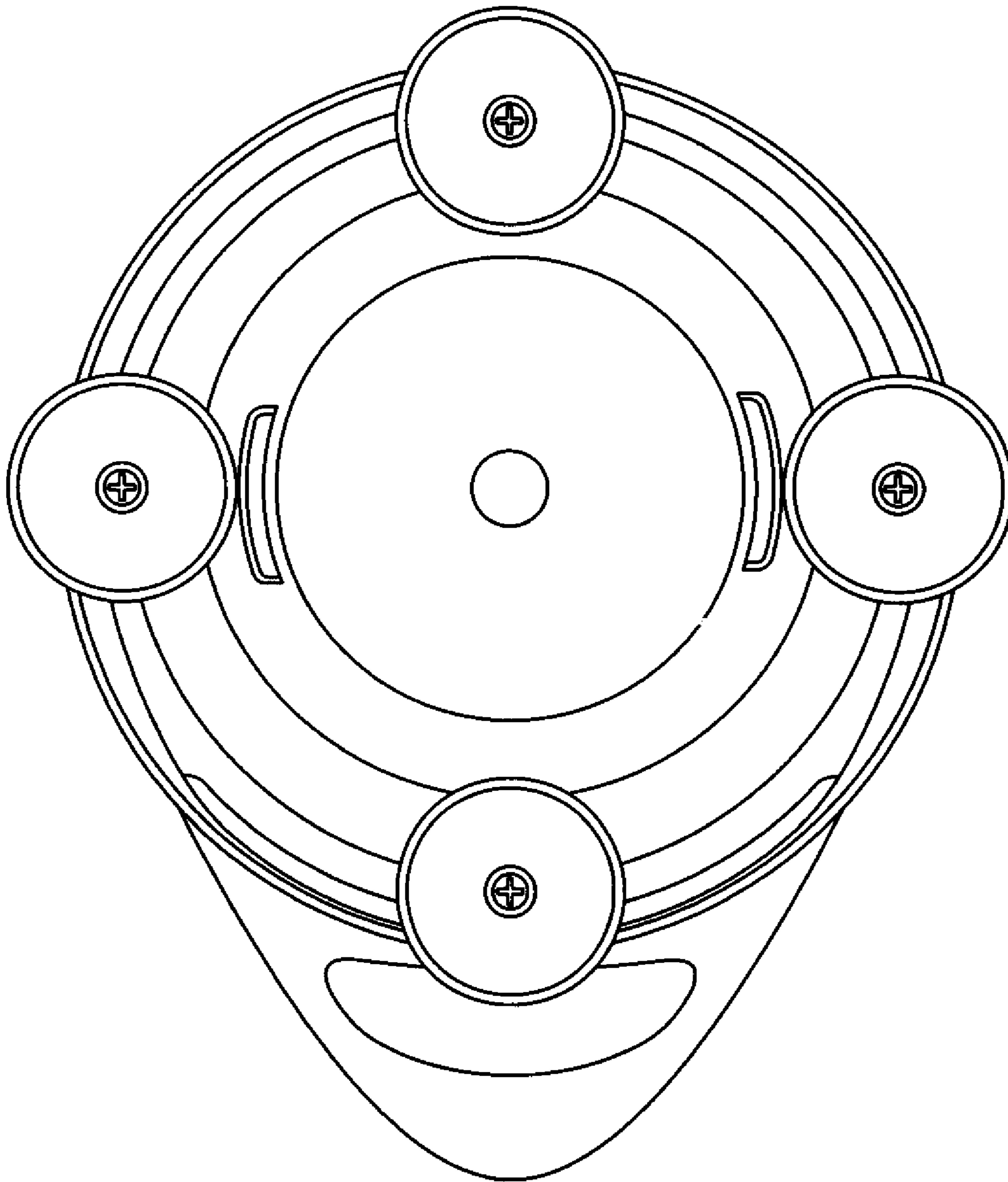


FIG. 8