



US00D577254S

(12) **United States Design Patent**
Chung

(10) **Patent No.:** **US D577,254 S**

(45) **Date of Patent:** **** Sep. 23, 2008**

(54) **HOOD FOR A BARBECUE GRILL**

D550,023 S * 9/2007 Chung D7/334

(76) Inventor: **Kiosky Chung**, No. 72, Chaoguei Rd.,
Situn District, Taichung City 407 (TW)

* cited by examiner

Primary Examiner—Ruth McInroy
(74) *Attorney, Agent, or Firm*—Banger Shia

(**) Term: **14 Years**

(21) Appl. No.: **29/299,616**

(57) **CLAIM**

(22) Filed: **Dec. 30, 2007**

I claim the ornamental design for a hood for a barbecue grill,
as shown and described.

(51) **LOC (8) Cl.** **07-02**

(52) **U.S. Cl.** **D7/402**

(58) **Field of Classification Search** D7/332–337,
D7/402–405; 99/425, 447, 450; 126/25 R,
126/29–30, 25 A, 25 AA, 9 R, 9 B, 8, 38,
126/41 R, 40, 50, 506, 144, 211, 304 R, 305 R;
248/188.7, 165, 121, 431

See application file for complete search history.

DESCRIPTION

FIG. 1 is a perspective view of a hood for a barbecue grill,
showing my new design;

FIG. 2 is a front elevational view thereof;

FIG. 3 is a rear elevational view thereof;

FIG. 4 is a left side elevational view thereof;

FIG. 5 is a right side elevational view thereof;

FIG. 6 is a top plan view thereof;

FIG. 7 is a bottom plan view thereof; and,

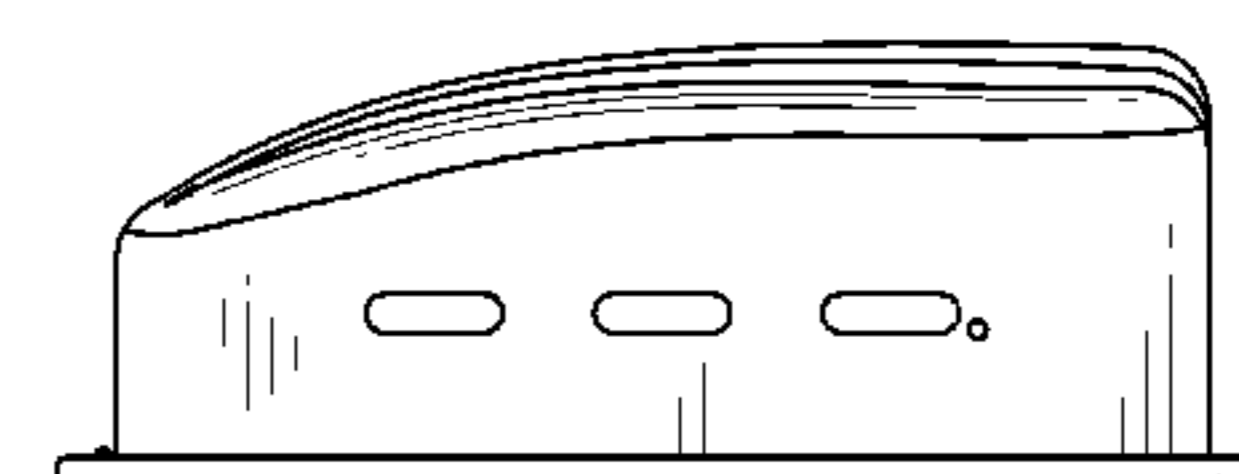
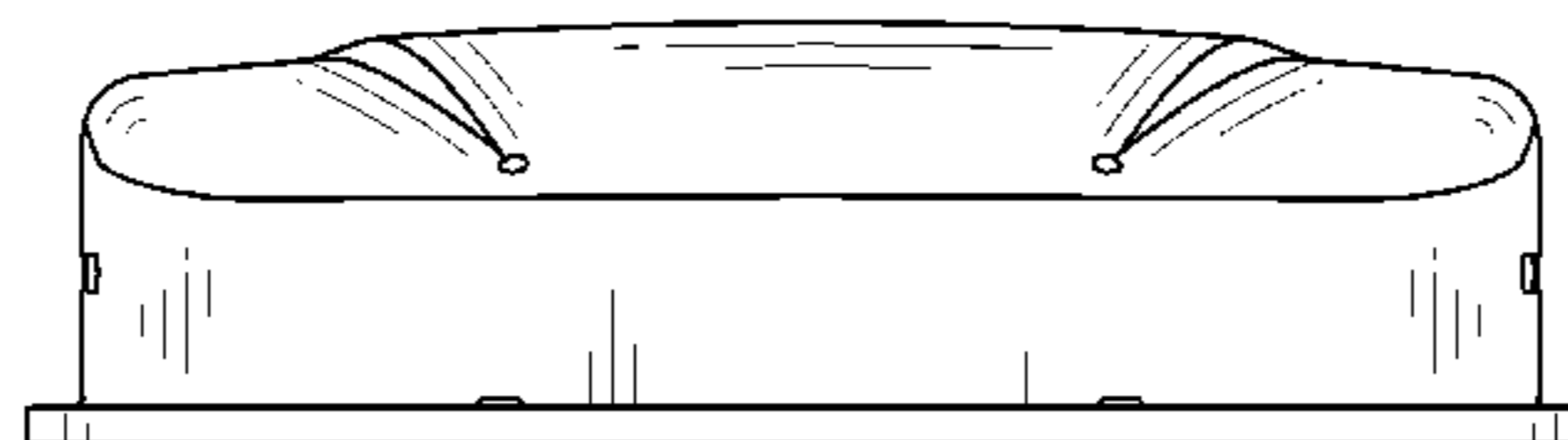
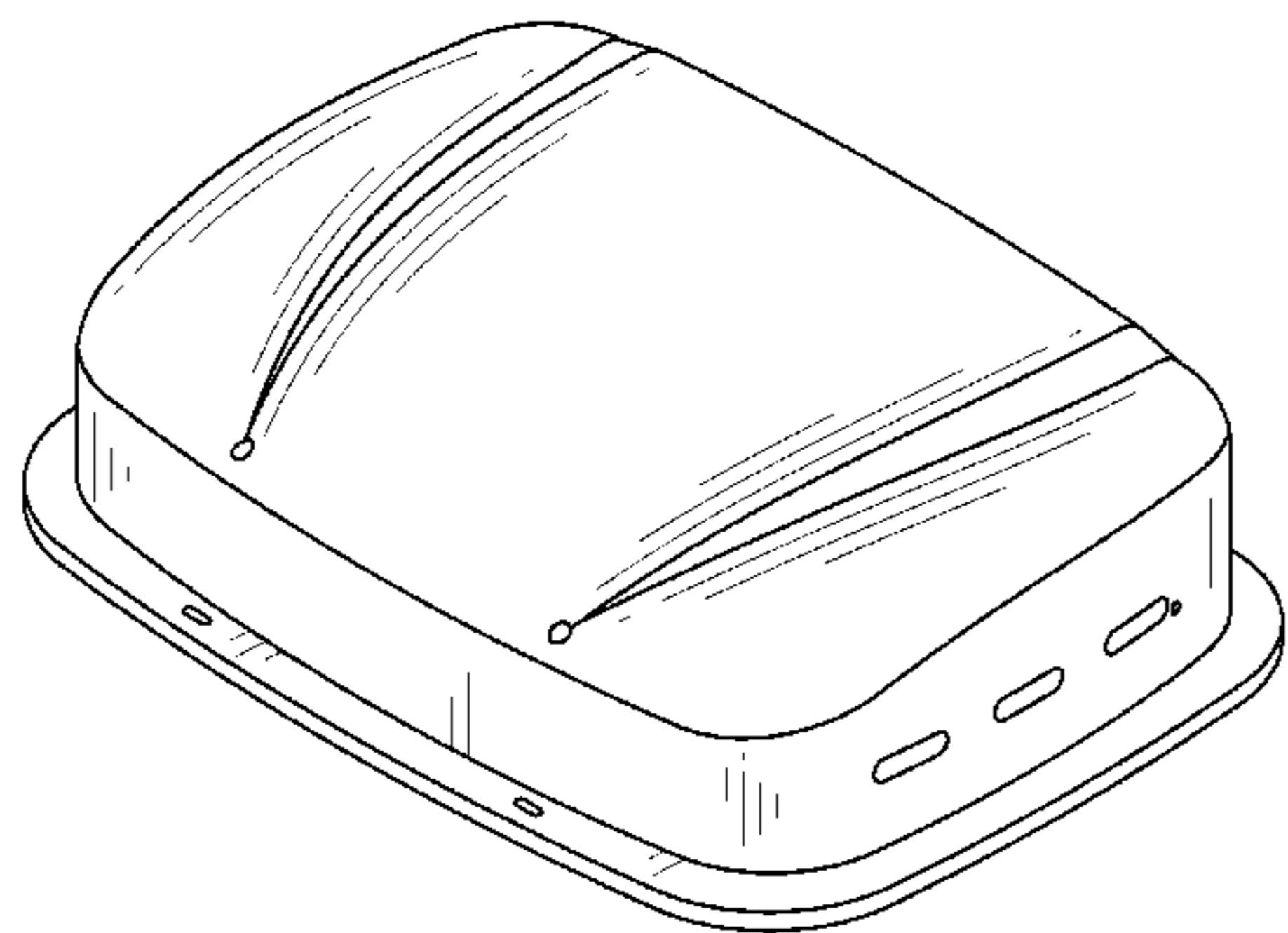
FIG. 8 is a perspective view thereof, the portions of the
barbecue grill shown in broken lines is for illustrative pur-
poses only and forms no part of the claimed design.

(56) **References Cited**

U.S. PATENT DOCUMENTS

| | | | | |
|--------------|---------|-------|-------|--------|
| D464,233 S * | 10/2002 | Pai | | D7/402 |
| D465,130 S * | 11/2002 | Pai | | D7/402 |
| D488,025 S * | 4/2004 | Tseng | | D7/402 |
| D527,221 S * | 8/2006 | Chung | | D7/402 |
| D549,046 S * | 8/2007 | Chung | | D7/402 |
| D549,513 S * | 8/2007 | Chung | | D7/334 |

1 Claim, 8 Drawing Sheets



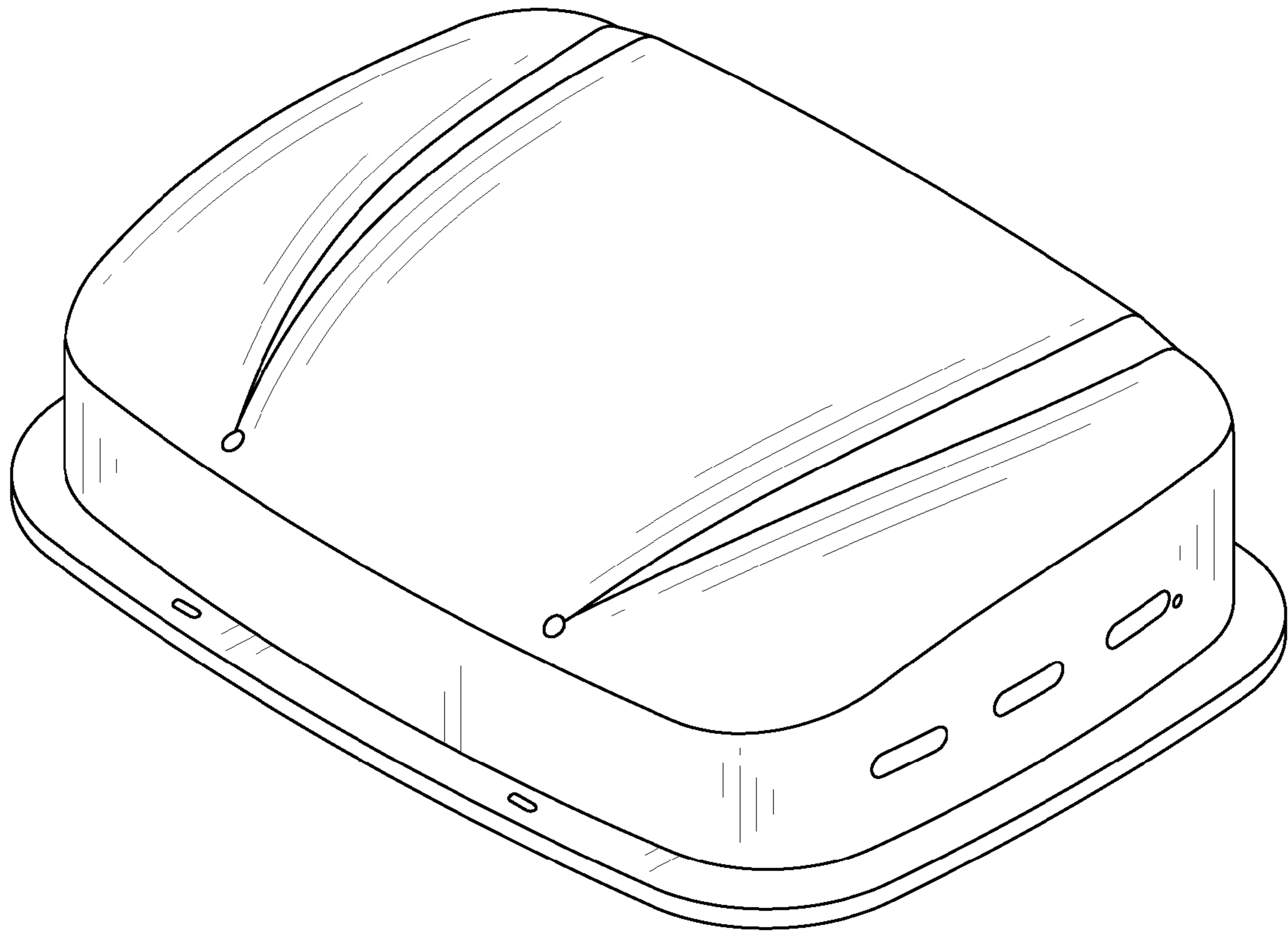


FIG. 1

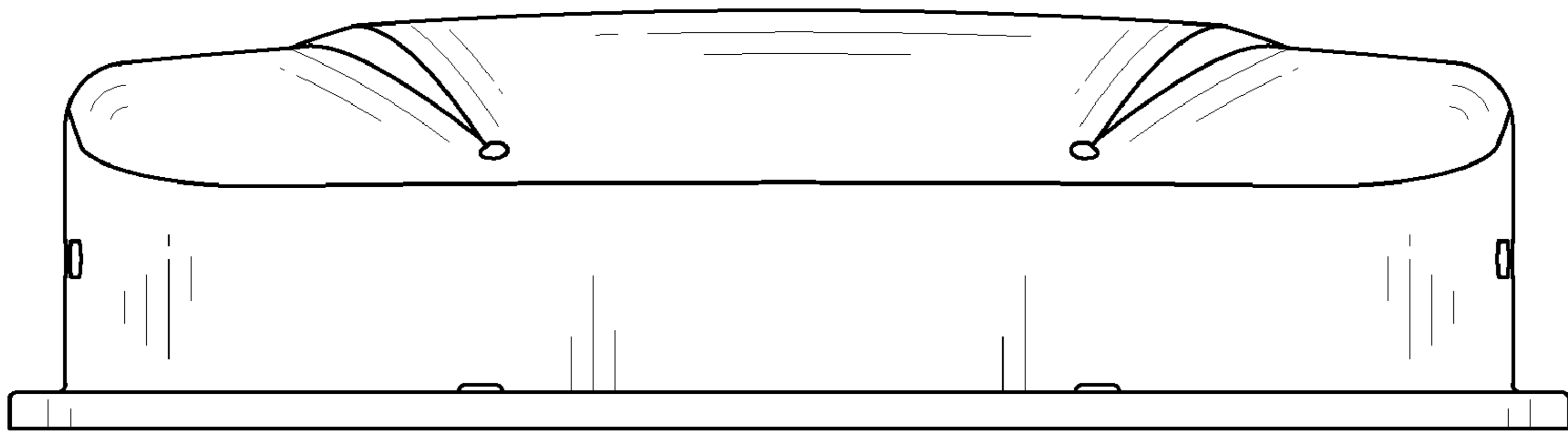


FIG. 2

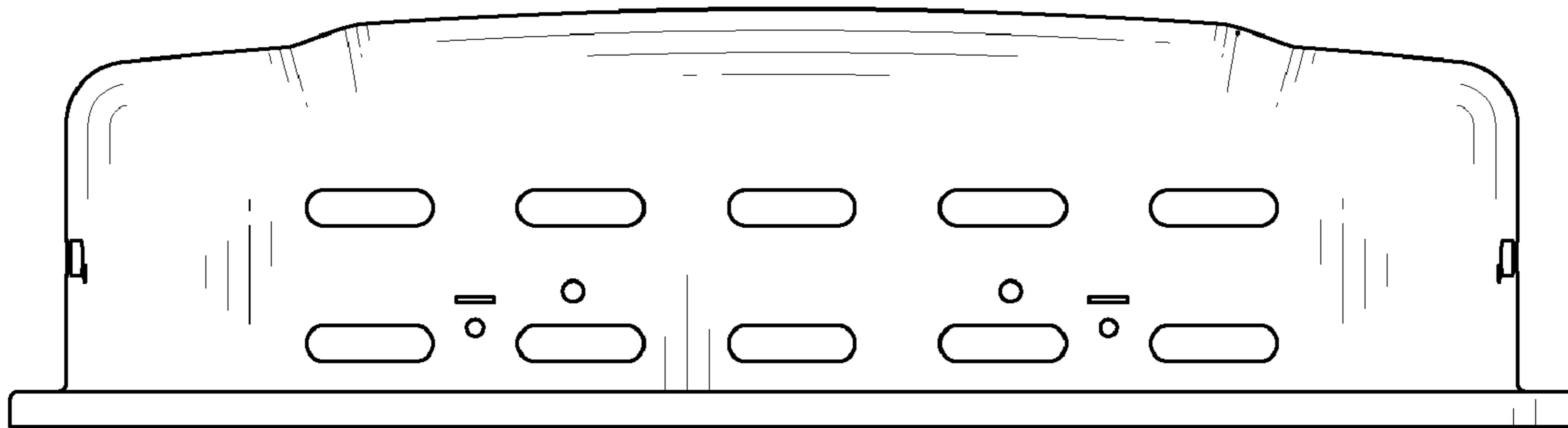


FIG. 3

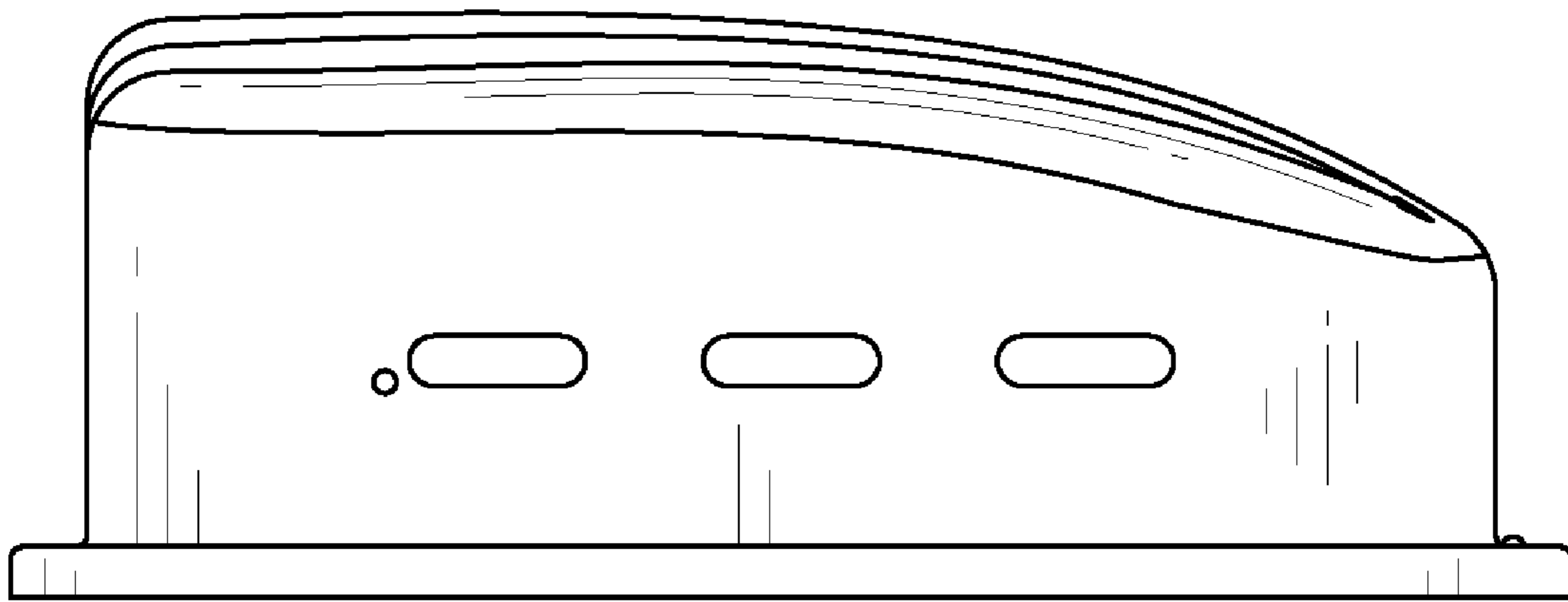


FIG. 4

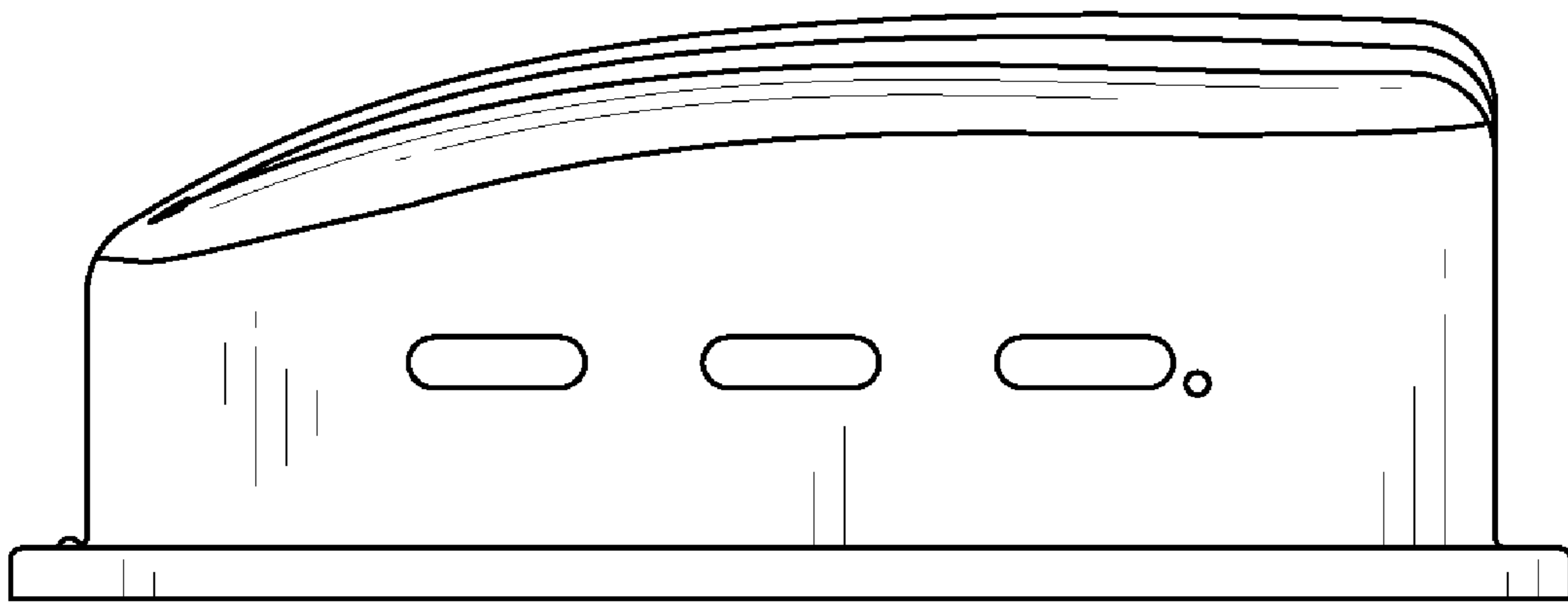


FIG. 5

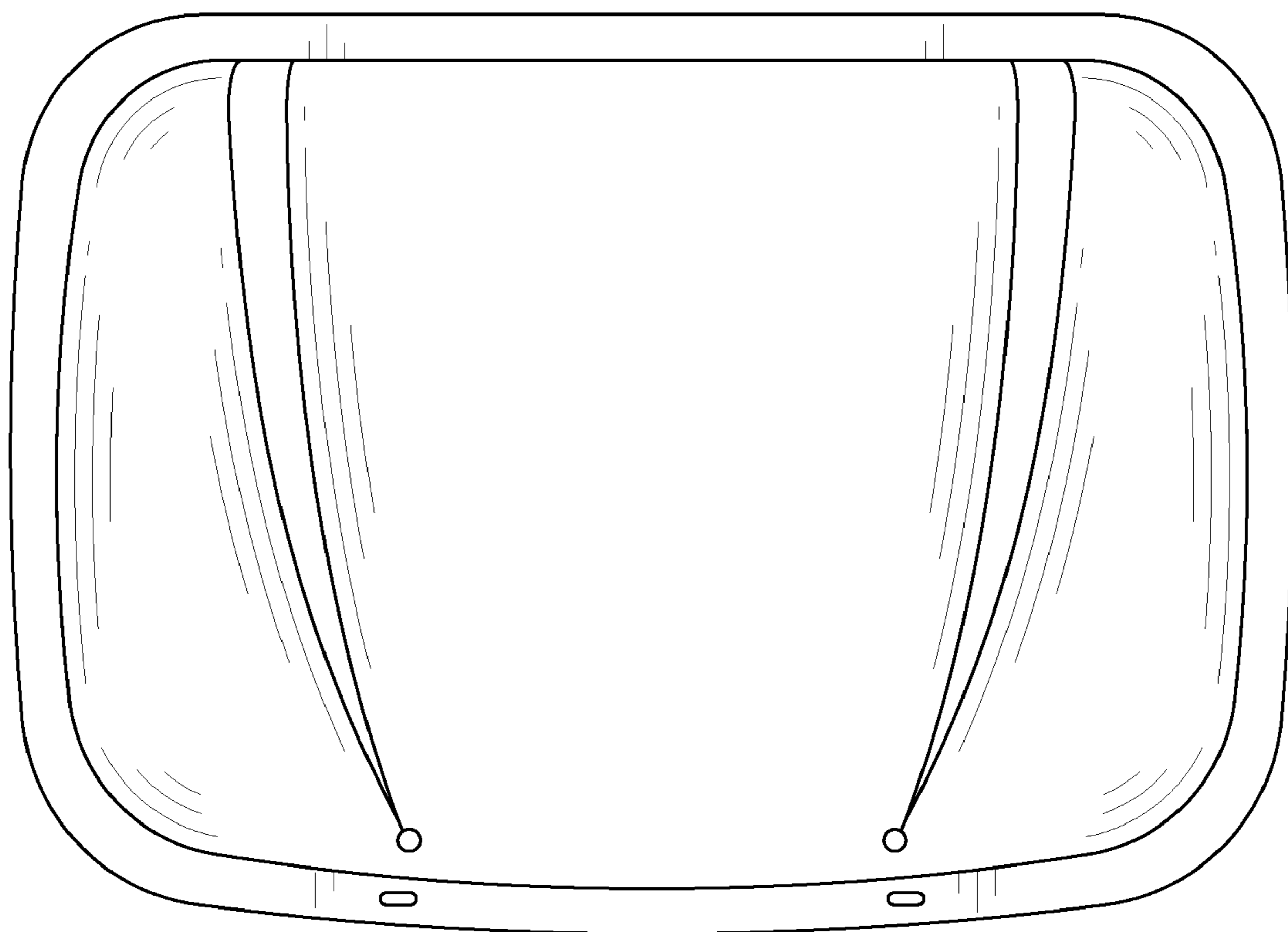


FIG. 6

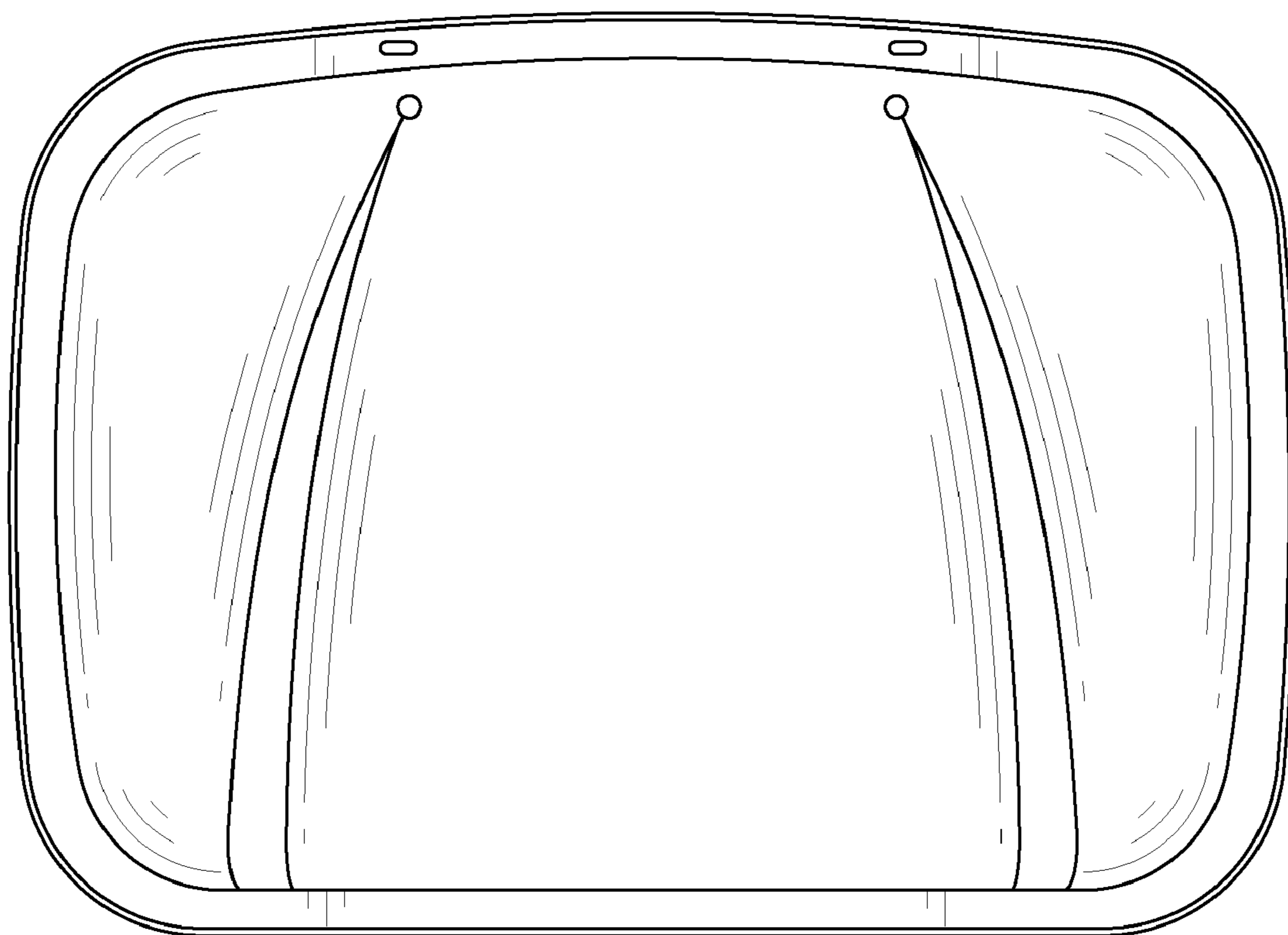


FIG. 7

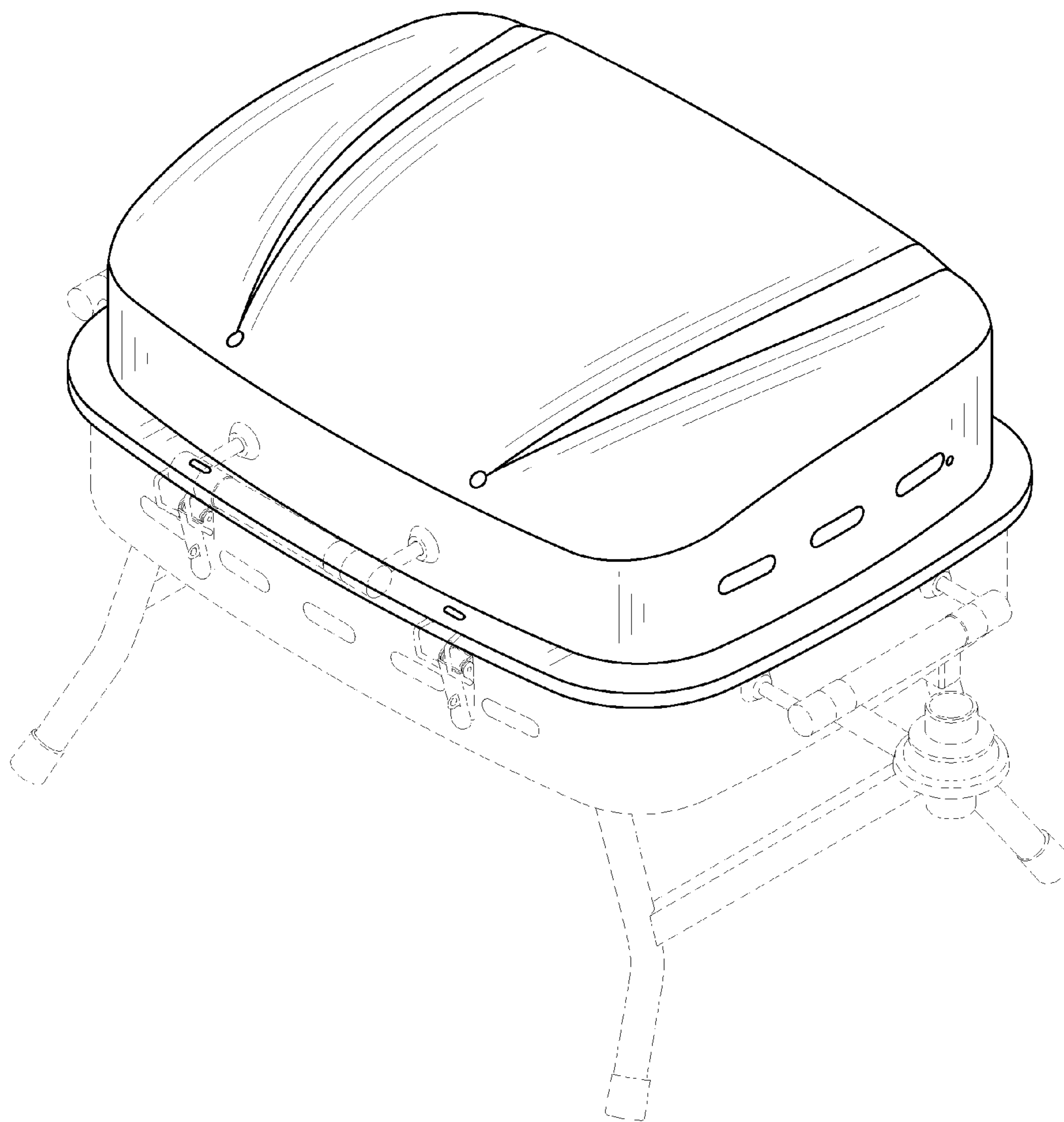


FIG. 8