



US00D577253S

(12) **United States Design Patent**
Bodum

(10) **Patent No.:** **US D577,253 S**

(45) **Date of Patent:** **** Sep. 23, 2008**

(54) **CUP WITH FILTER**

(75) Inventor: **Jørgen Bodum**, Meggen (CH)

(73) Assignee: **Pi-Design AG**, Triengen (CH)

(**) Term: **14 Years**

(21) Appl. No.: **29/299,479**

(22) Filed: **Dec. 27, 2007**

(30) **Foreign Application Priority Data**

Jun. 27, 2007 (DK) DA 2007 00158

(51) **LOC (8) Cl.** **07-01**

(52) **U.S. Cl.** **D7/400; D7/523; D7/507;**
D7/505; D7/399

(58) **Field of Classification Search** D7/500,
D7/509, 511, 532, 531, 505, 507, 528, 513,
D7/647, 667, 615, 400, 399, 397, 387; 220/711,
220/300, 735; D11/143; 210/348; D21/472;
D9/428, 429; 366/341; 206/217; D23/209;
426/82; 99/322, 279, 321

See application file for complete search history.

(56) **References Cited**

U.S. PATENT DOCUMENTS

545,662 A * 9/1895 Stewart 220/300
2,012,113 A * 8/1935 Thompson 215/363
D277,255 S * 1/1985 Deruntz D7/387
D279,168 S * 6/1985 Goldsmith D9/429
D291,659 S * 9/1987 Powell D9/414
4,846,236 A * 7/1989 Deruntz 141/329

D396,603 S * 8/1998 Gasser D7/400
D447,911 S * 9/2001 J.o slashed.rgensen D7/400
D546,626 S * 7/2007 Chou D7/523
D553,437 S * 10/2007 Bodum D7/523
D553,440 S * 10/2007 Bodum D7/523
D558,532 S * 1/2008 Peterson D7/615
D560,091 S * 1/2008 Bodum D7/316

* cited by examiner

Primary Examiner—Philip Hyder

Assistant Examiner—Cynthia Underwood

(74) *Attorney, Agent, or Firm*—Cowan, Liebowitz & Latman,
PC

(57) **CLAIM**

The ornamental design for a cup with filter, as shown and described.

DESCRIPTION

FIG. 1 is a perspective view of the cup with filter showing my design thereof;

FIG. 2 is a front view thereof;

FIG. 3 is a back view thereof;

FIG. 4 is a right side view thereof;

FIG. 5 is a left side view thereof;

FIG. 6 is a top view thereof;

FIG. 7 is a bottom view thereof; and,

FIG. 8 is a cross-sectional view thereof taken along line 8—8 of FIG. 6.

1 Claim, 8 Drawing Sheets

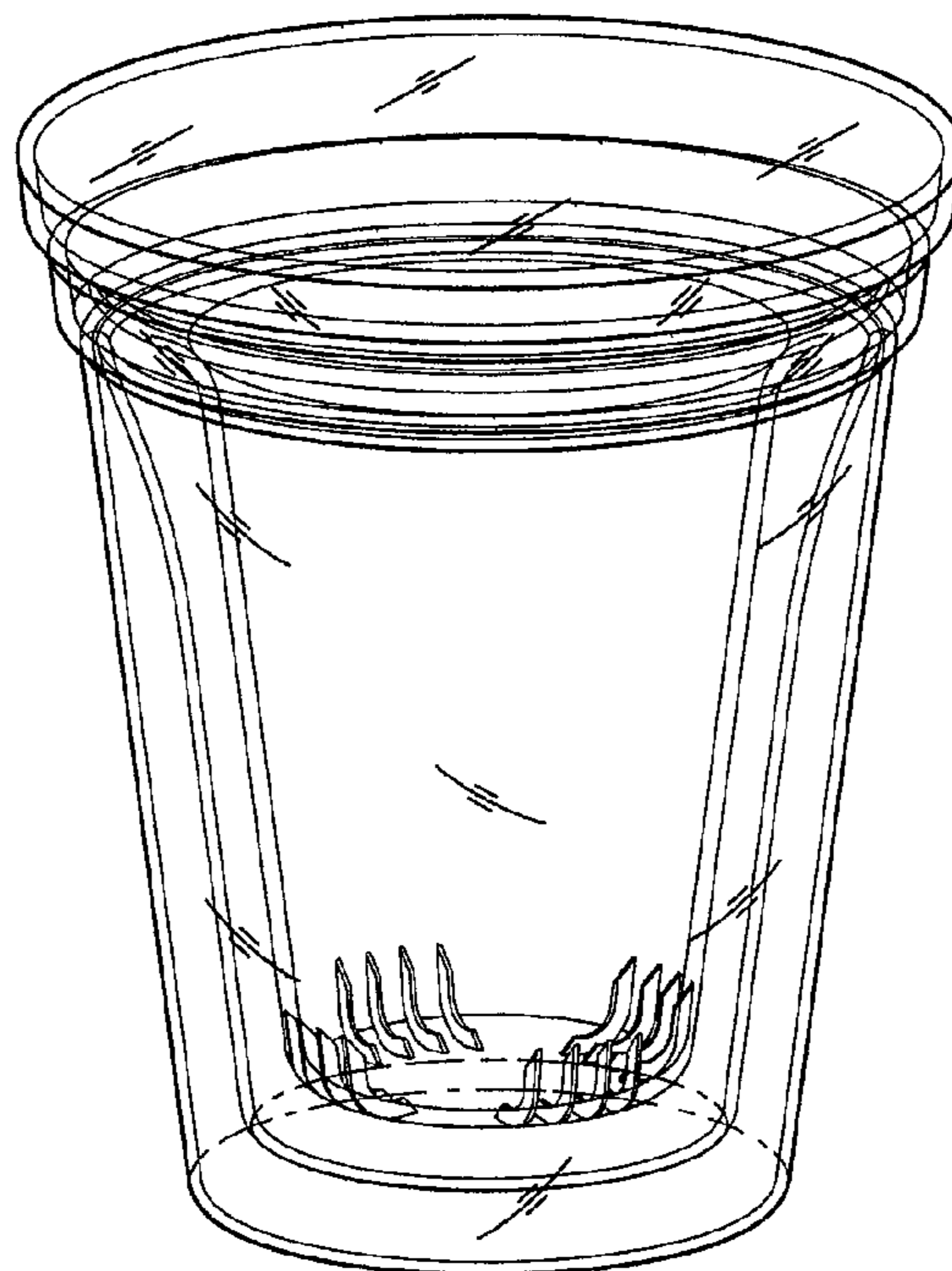


FIG. 1

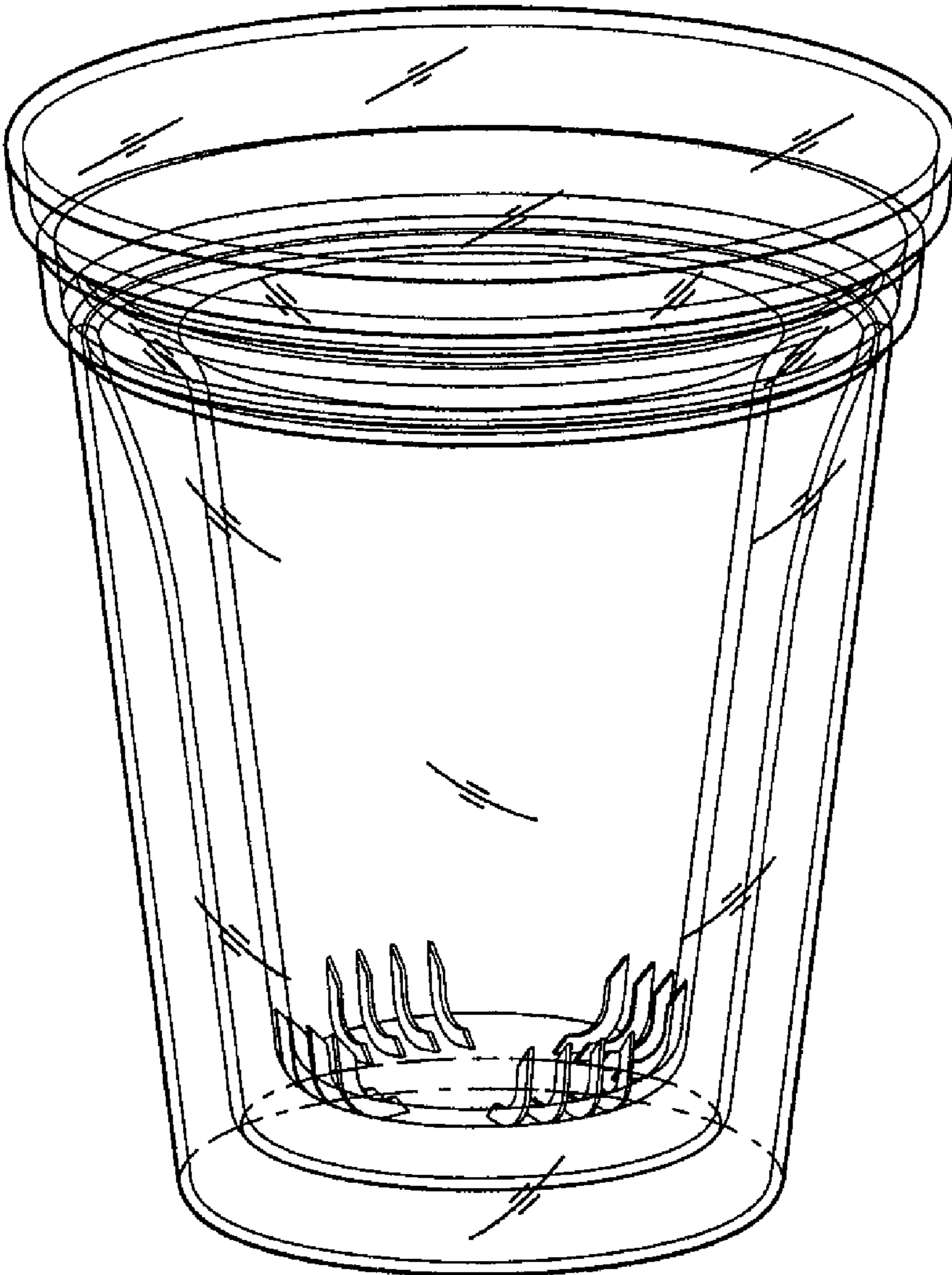


FIG. 2

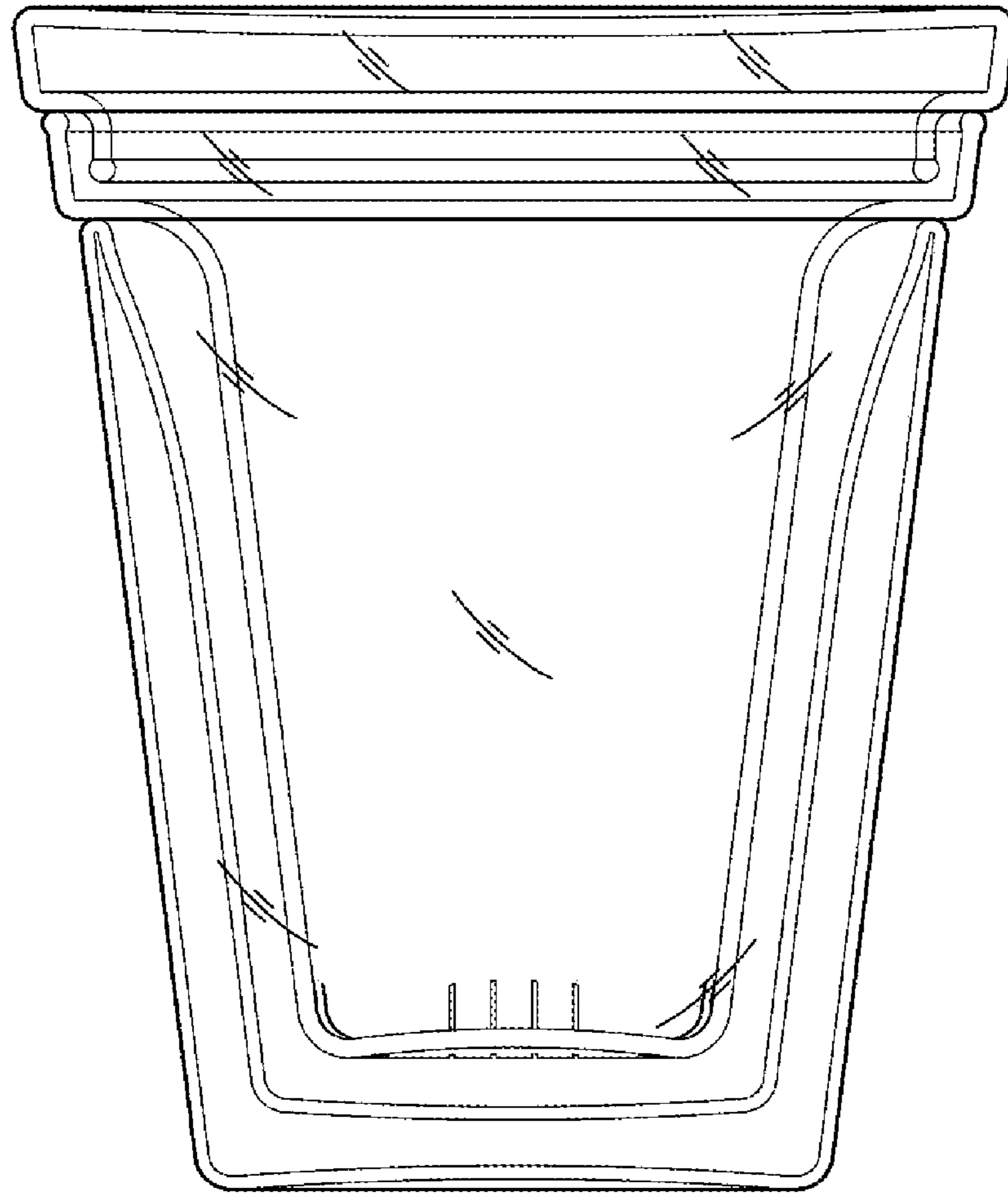


FIG. 3

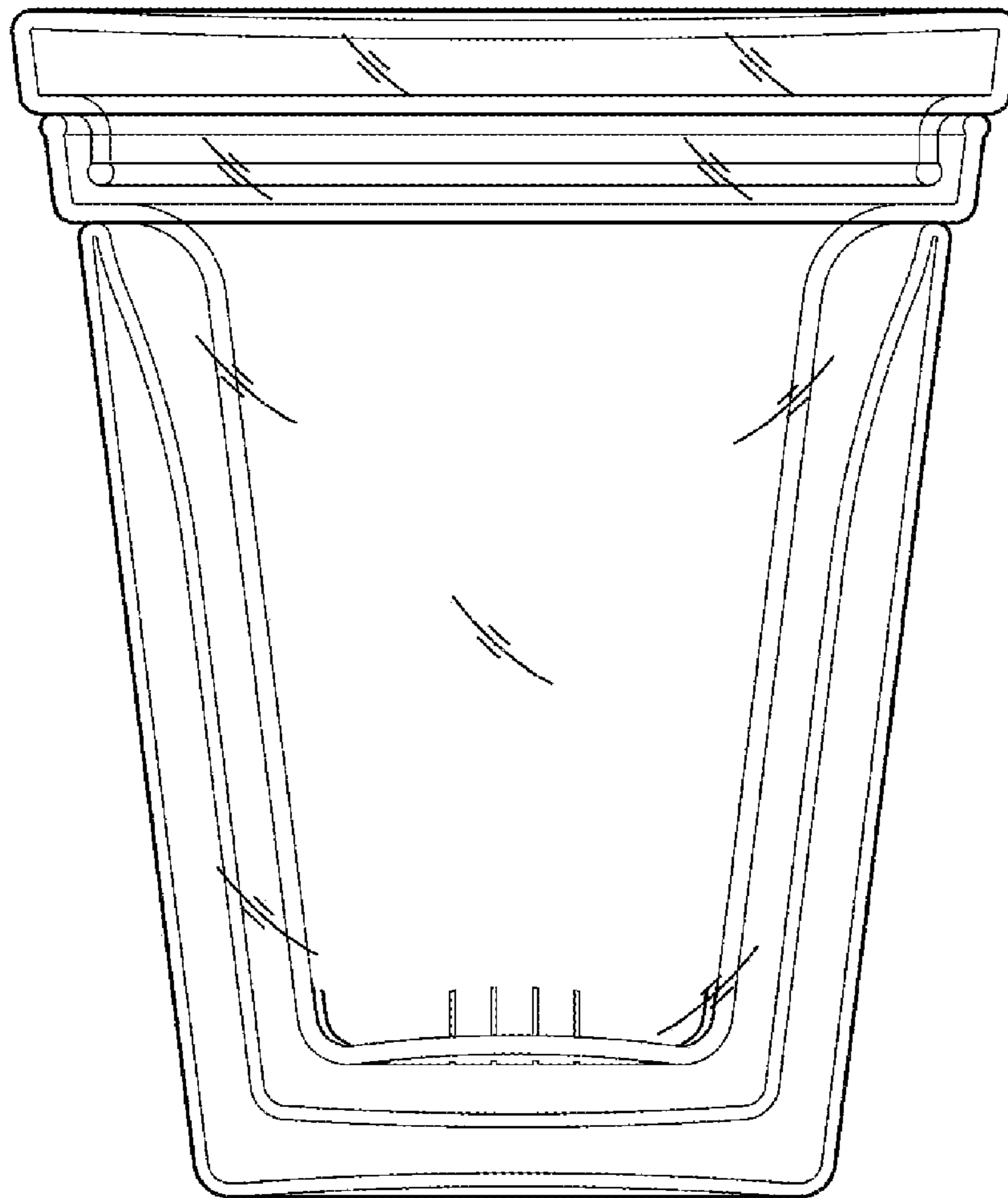


FIG. 4

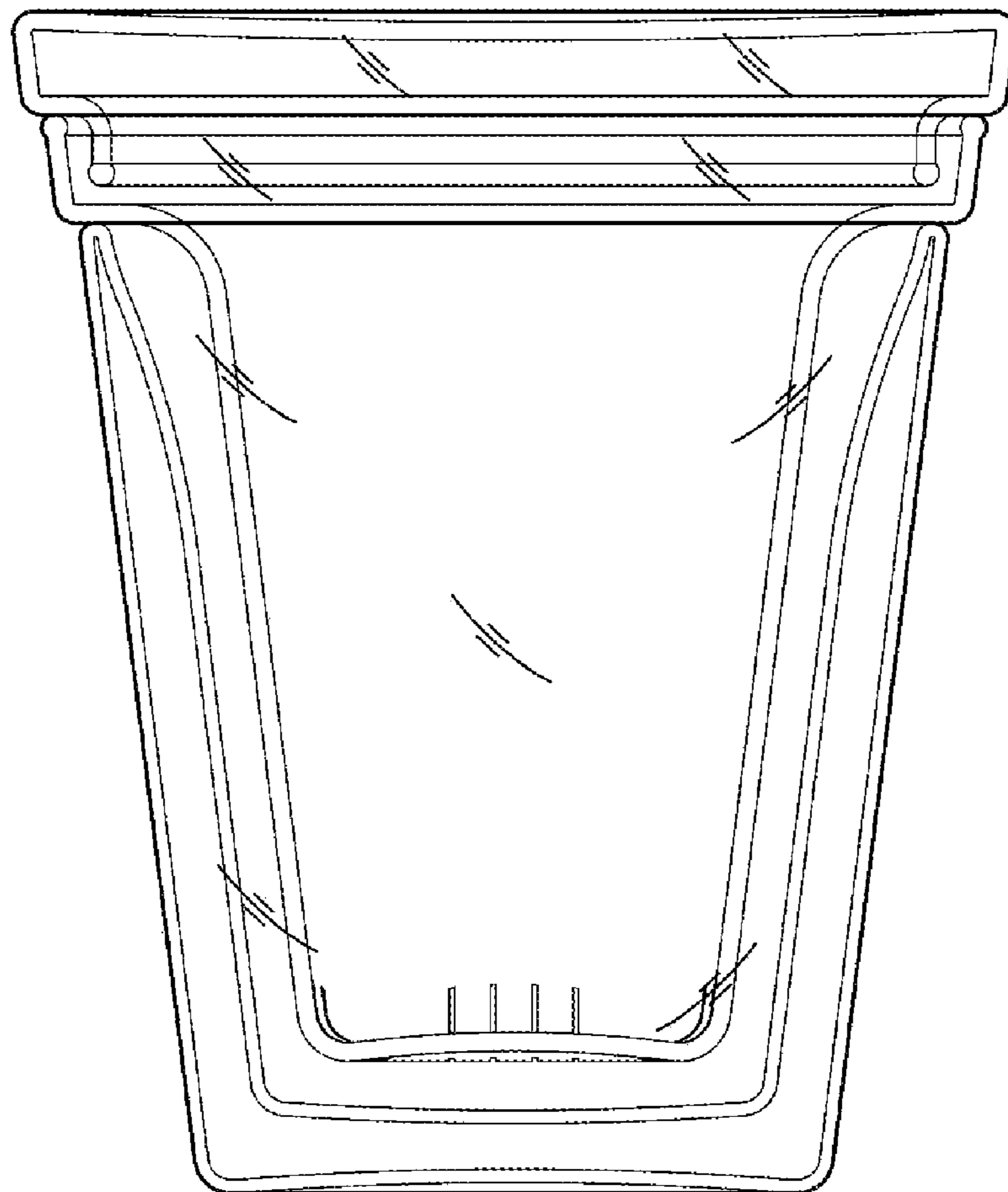


FIG. 5

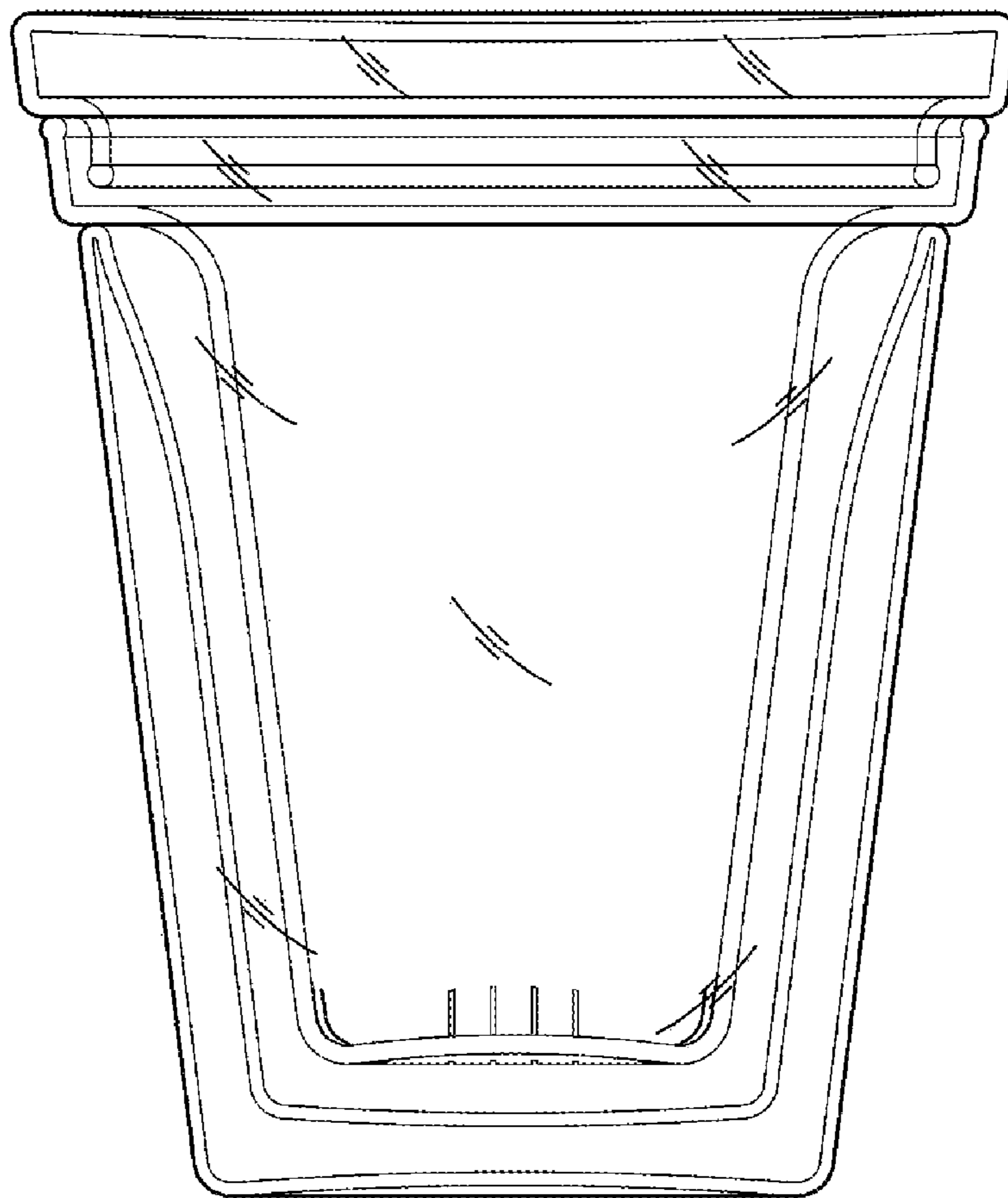


FIG. 6

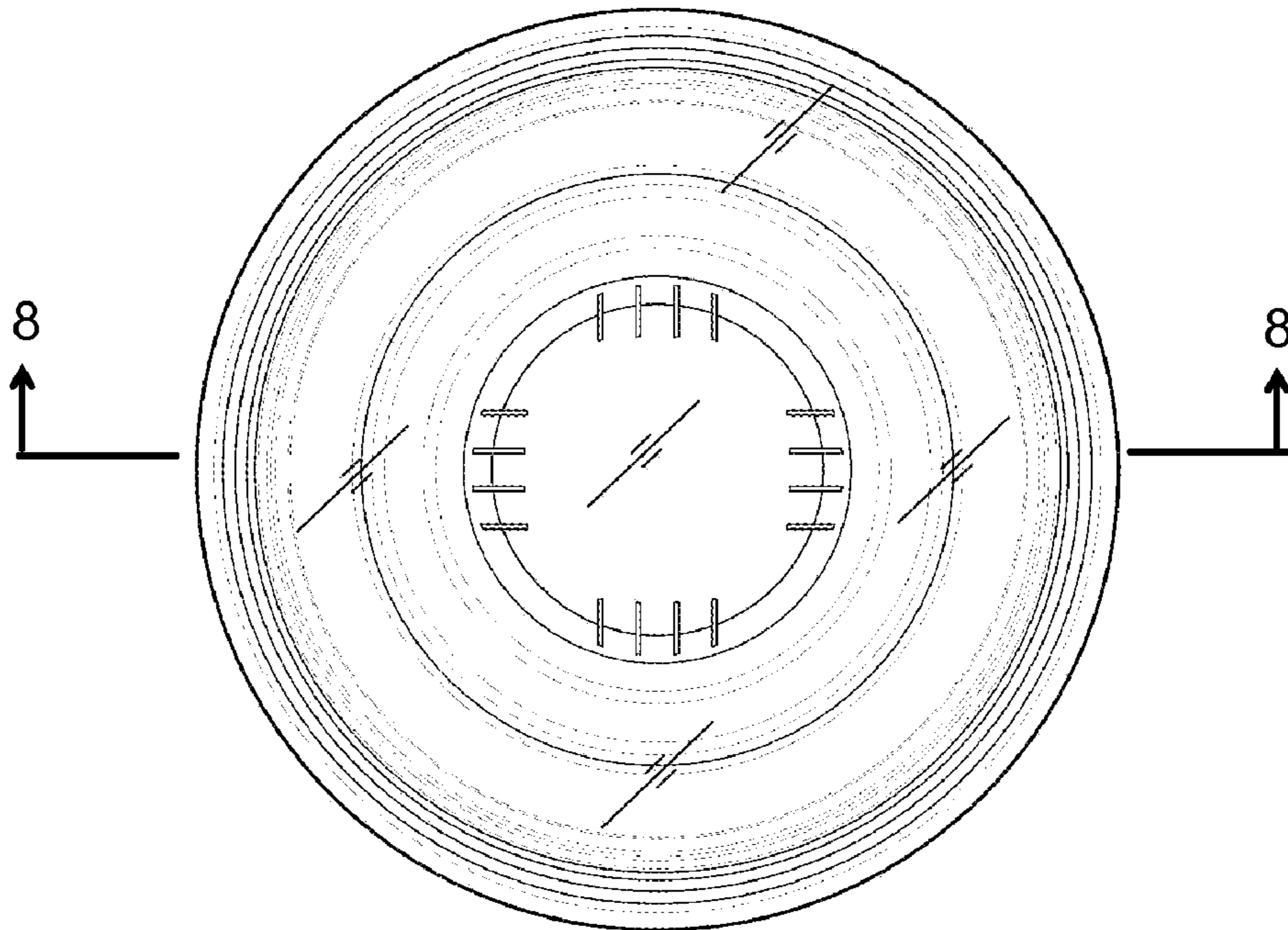


FIG. 7

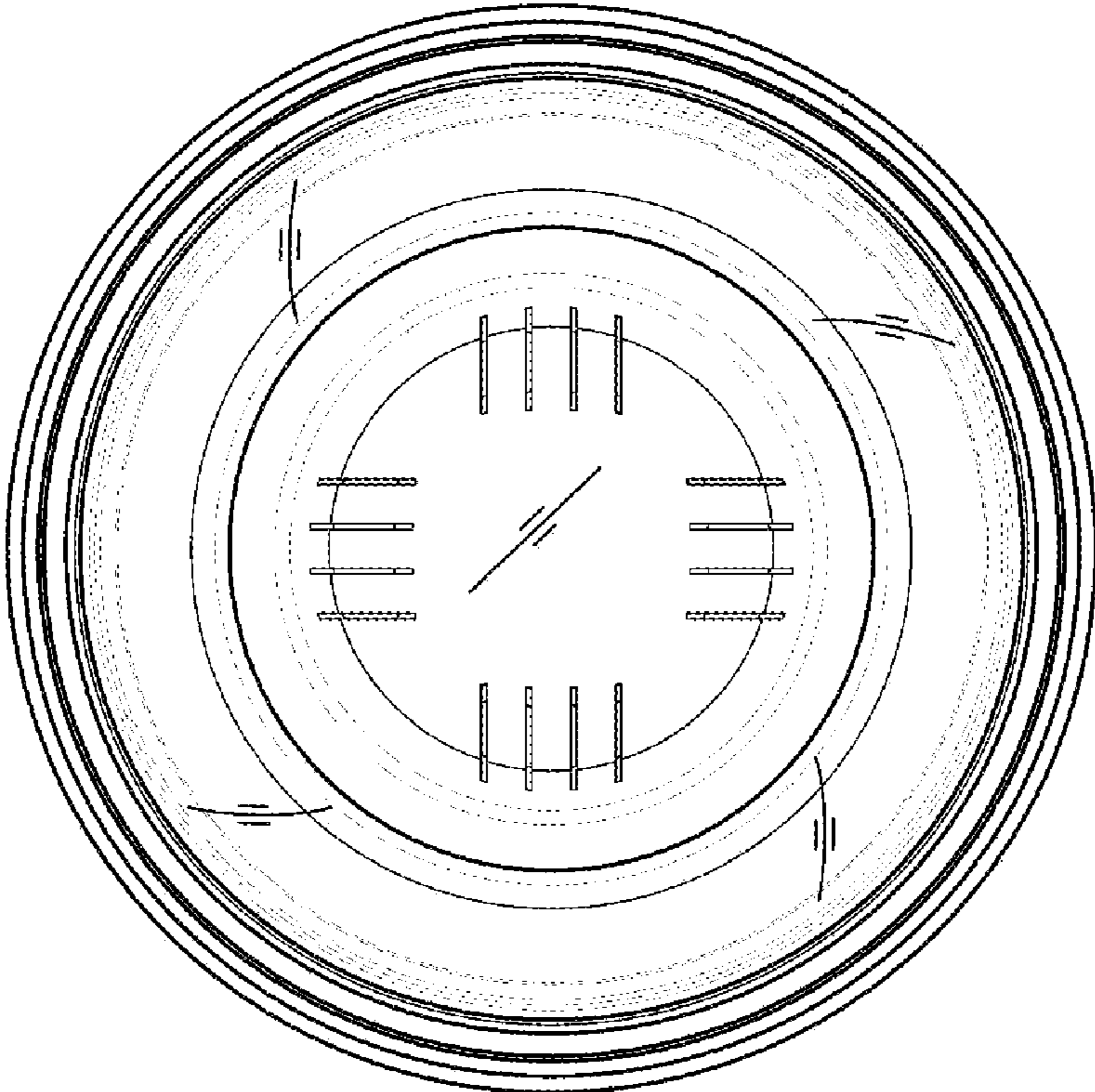


FIG. 8

