



US00D577252S

(12) **United States Design Patent**
Kotoku

(10) **Patent No.:** **US D577,252 S**
(45) **Date of Patent:** **** Sep. 23, 2008**

- (54) **COFFEE MAKER**
- (75) Inventor: **Masaaki Kotoku**, Kusatsu (JP)
- (73) Assignee: **Matsushita Electric Industrial, Co., Ltd.**, Osaka (JP)
- (**) Term: **14 Years**
- (21) Appl. No.: **29/297,183**
- (22) Filed: **Nov. 6, 2007**
- (30) **Foreign Application Priority Data**
May 9, 2007 (JP) 2007-012132
- (51) **LOC (8) Cl.** **07-01**
- (52) **U.S. Cl.** **D7/399; D7/309**
- (58) **Field of Classification Search** D7/300,
D7/306, 307, 309, 310, 311, 387, 397, 399;
99/281, 282, 286, 279, 292, 293, 304, 323.1
See application file for complete search history.

(56) **References Cited**

U.S. PATENT DOCUMENTS

D183,532 S	9/1958	McCauley	
D209,126 S	10/1967	Martin	
D254,285 S *	2/1980	Lee et al. D7/309
D288,517 S *	3/1987	Kahlcke D7/309
D296,972 S *	8/1988	Roccio D7/309
D339,953 S *	10/1993	Bunn et al. D7/309
D343,758 S	2/1994	Beeren	
D350,871 S	9/1994	Littmann	
D389,694 S *	1/1998	Vinson D7/308
D438,052 S	2/2001	Po-Hei	
D439,103 S	3/2001	Cruz	
D452,407 S	12/2001	Leverrier	
D453,656 S	2/2002	Byler et al.	
D454,023 S	3/2002	Wang	
D462,865 S	9/2002	Honan et al.	

6,470,793 B1 *	10/2002	Vogt	99/279
D481,902 S	11/2003	O'Connor et al.		
D488,663 S	4/2004	Price et al.		
D489,215 S	5/2004	Honan et al.		
D502,841 S	3/2005	Santer		
D513,572 S *	1/2006	Schaffeld et al.	D7/309
D518,327 S	4/2006	Heieck		
D533,017 S	12/2006	Wilson		
D546,112 S *	7/2007	Rorke et al.	D7/309
2007/0295216 A1 *	12/2007	Williamson et al.	99/275

FOREIGN PATENT DOCUMENTS

JP	D950786	4/1996
JP	D1220255	10/2004

* cited by examiner

Primary Examiner—Gary D. Watson
Assistant Examiner—Cynthia Underwood
(74) *Attorney, Agent, or Firm*—Brinks Hofer Gilson & Lione

(57) **CLAIM**

I claim the ornamental design for a coffee maker, as shown and described.

DESCRIPTION

FIG. 1 is a top perspective view of a coffee maker of the present invention;
FIG. 2 is a front view thereof;
FIG. 3 is a first side view thereof;
FIG. 4 is a second side view thereof;
FIG. 5 is a top view thereof; and,
FIG. 6 is a rear view thereof.
The broken line showing of coffee maker is included for the purpose of illustrating environment and forms no part of the claimed design.

1 Claim, 3 Drawing Sheets

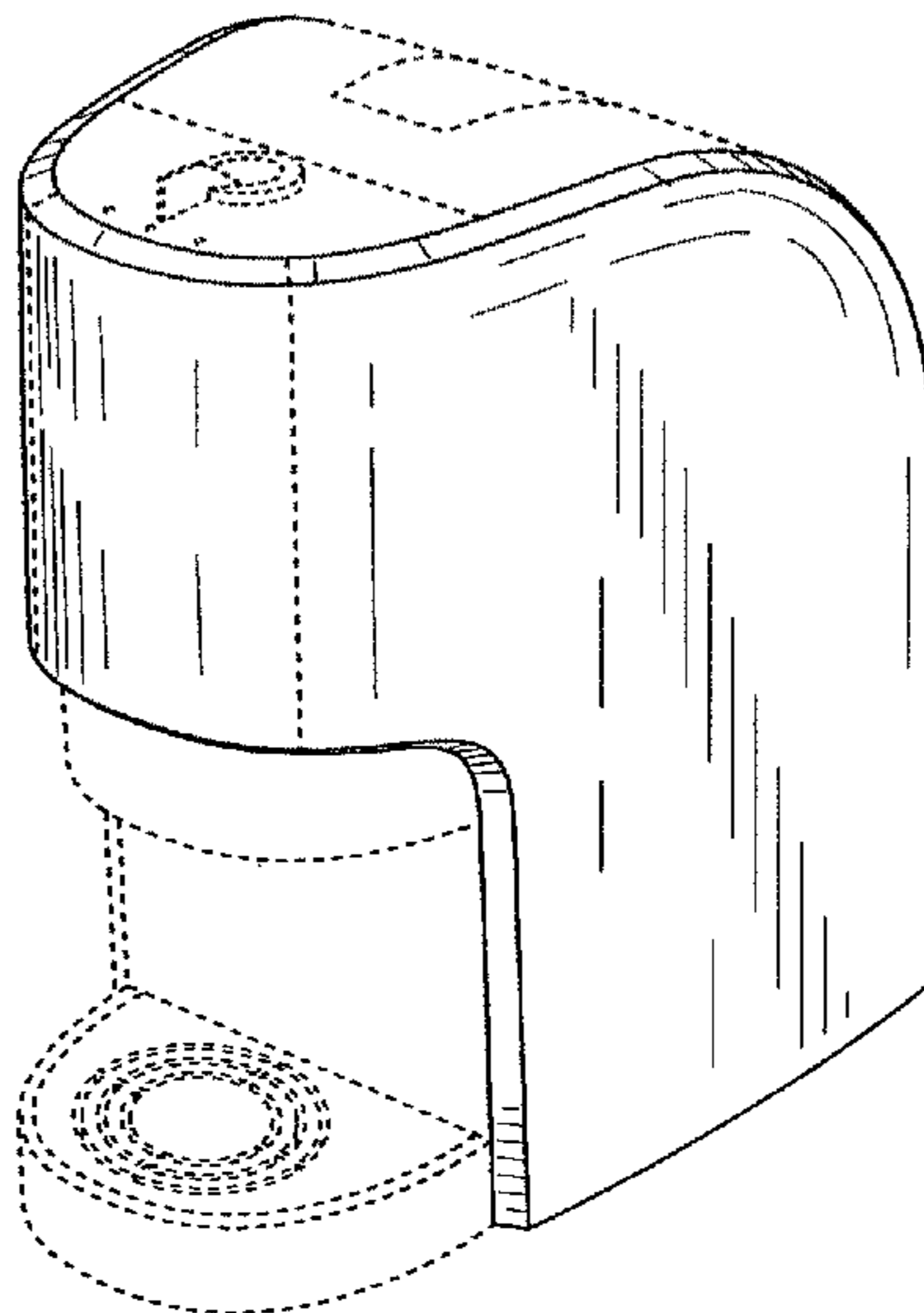


FIG.1

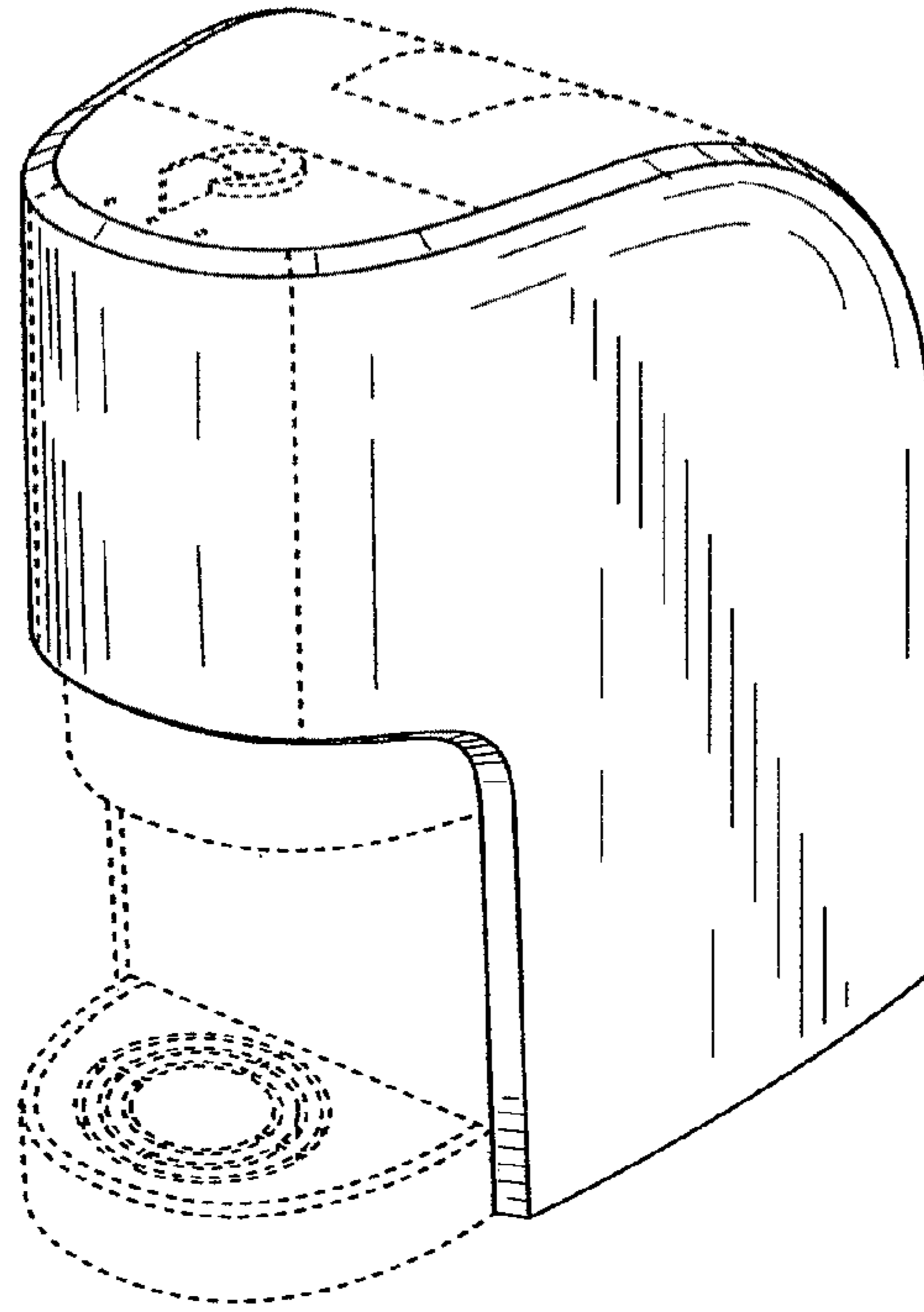


FIG.2

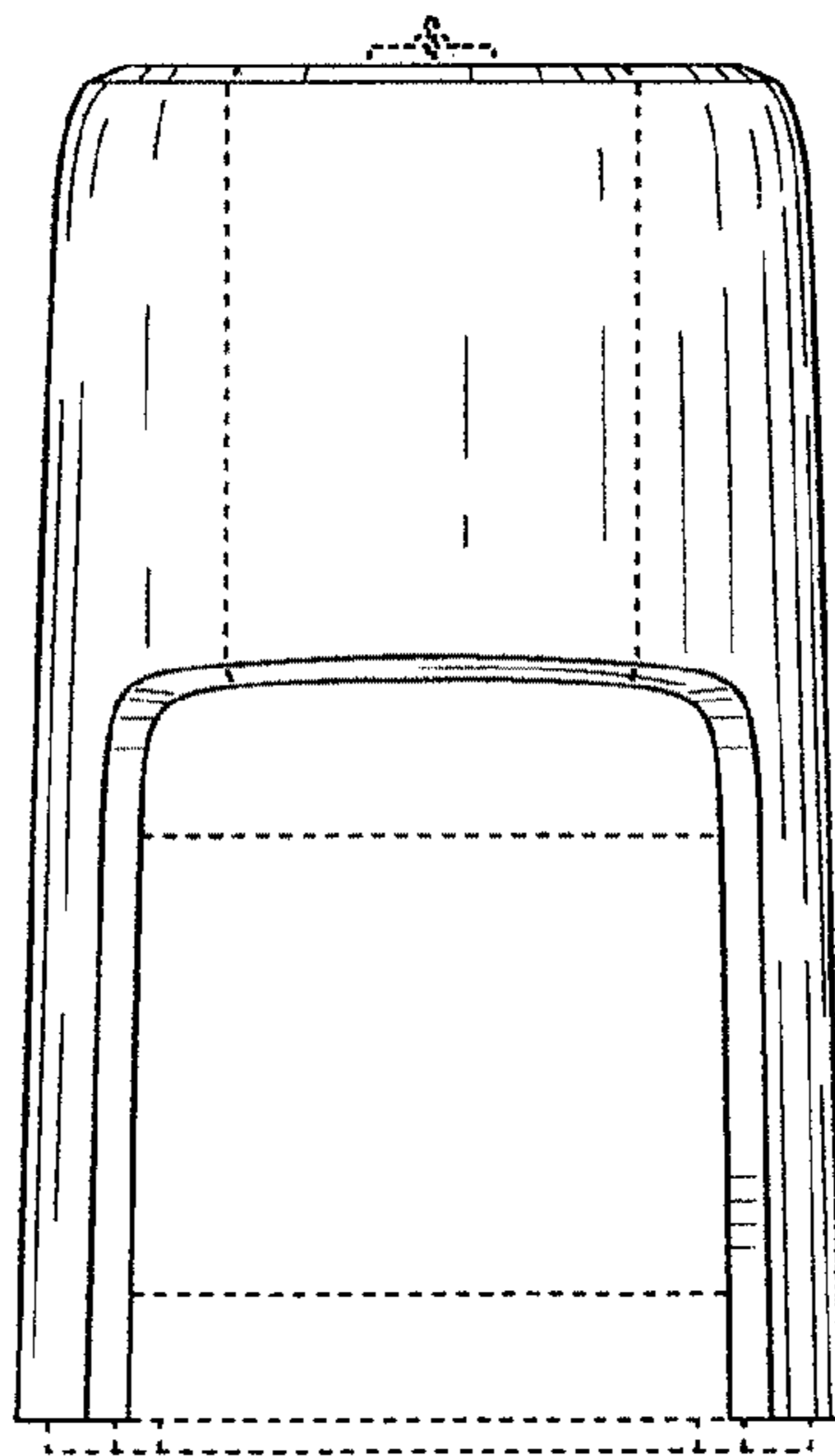


FIG.3

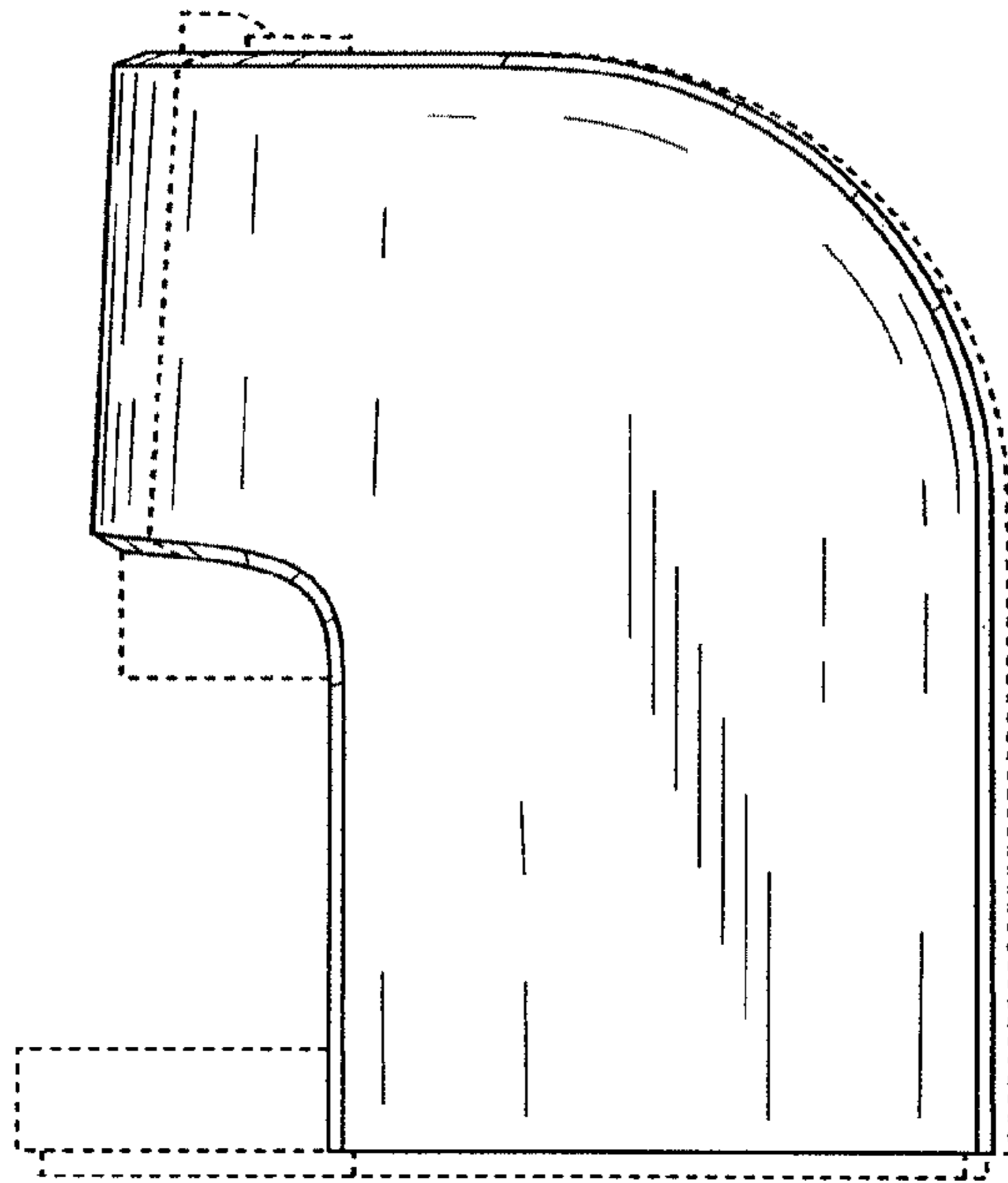


FIG.4

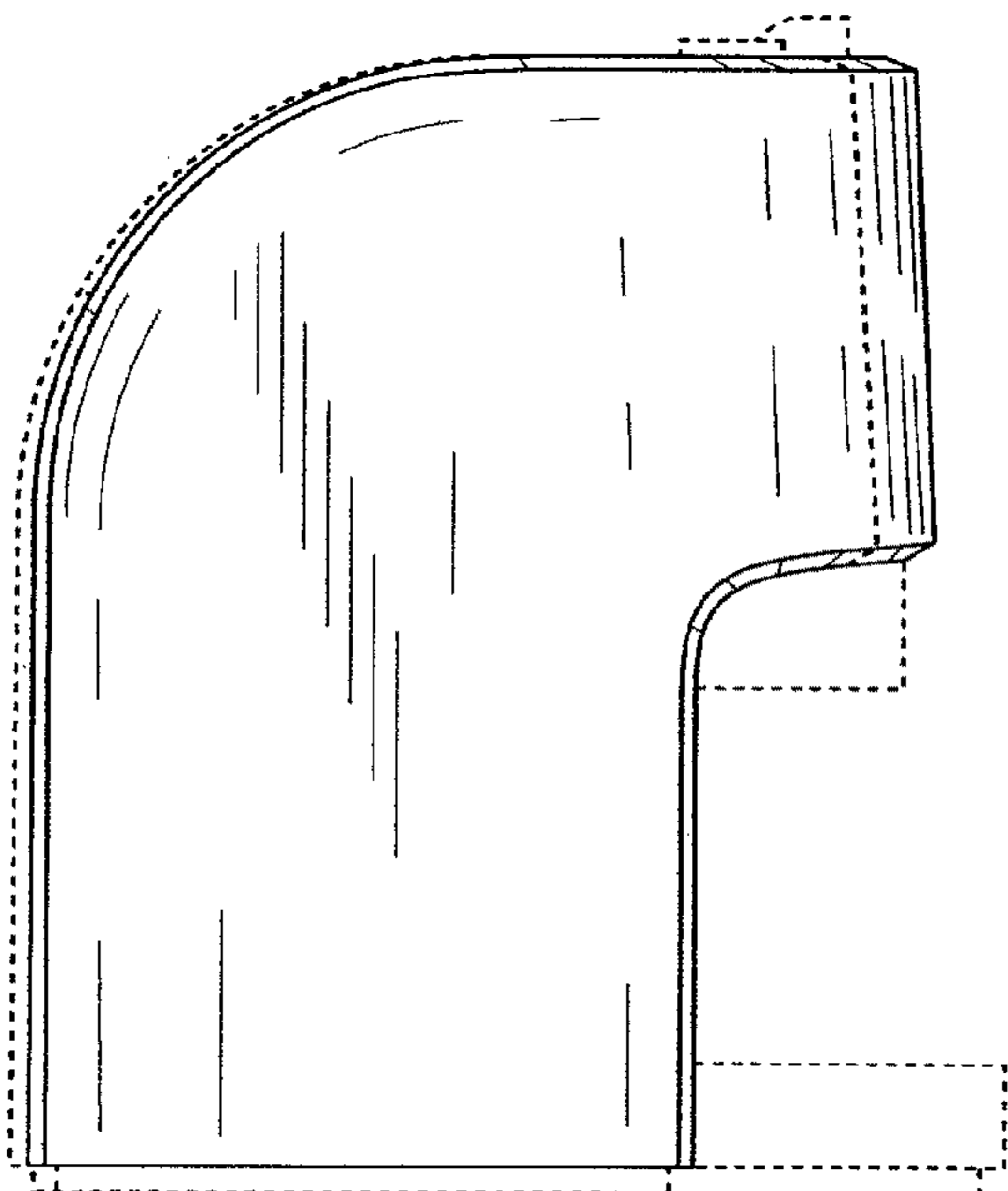


FIG.5

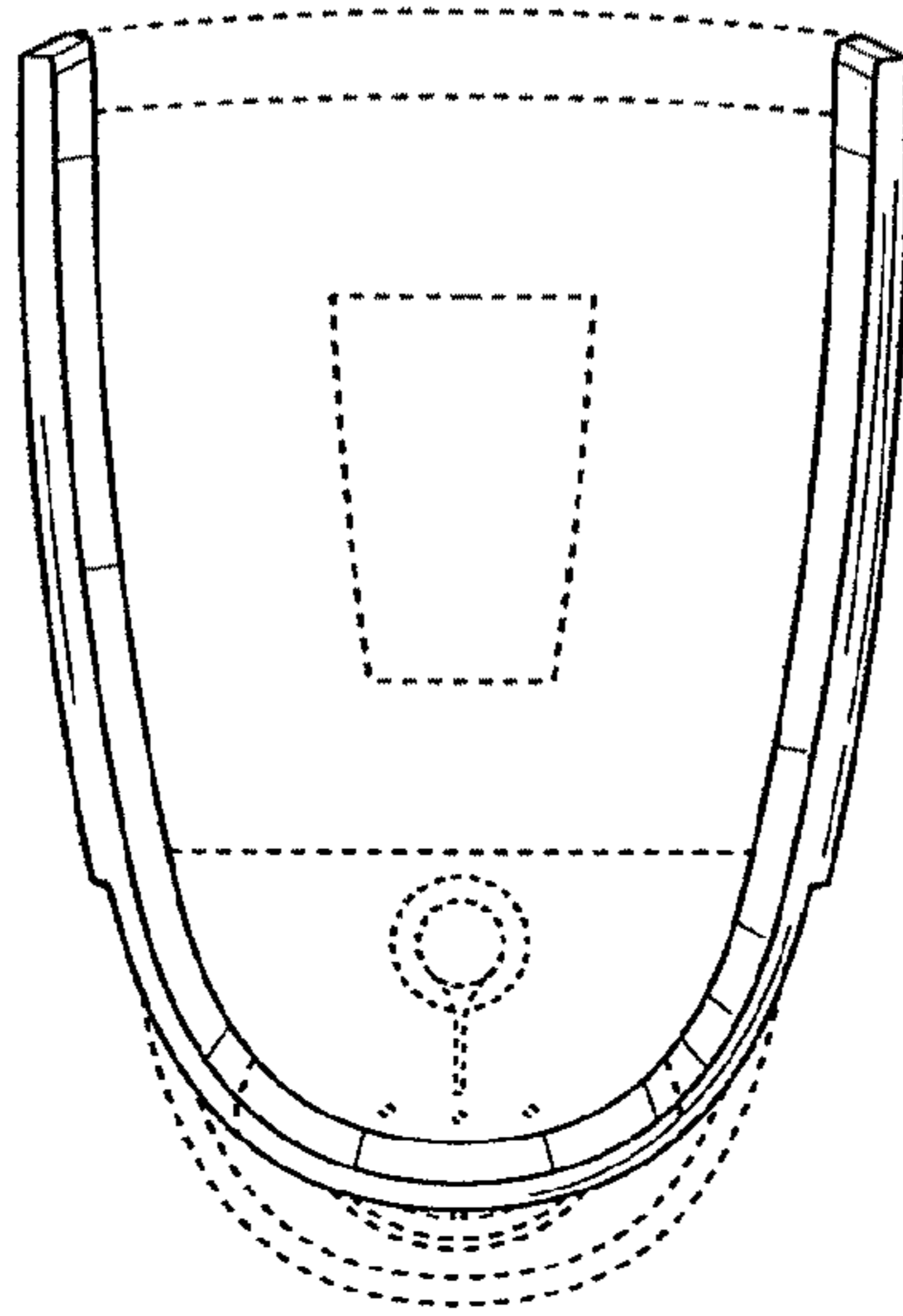


FIG.6

