



US00D577248S

(12) **United States Design Patent**  
**Currie**

(10) **Patent No.:** **US D577,248 S**

(45) **Date of Patent:** **\*\* Sep. 23, 2008**

(54) **ELECTRIC COOKER**

(75) **Inventor:** **Neil Anthony Currie,**  
Stourport-on-Severn (GB)

(73) **Assignee:** **3rd Angle (U.K.) Ltd.,** Highley,  
Shropshire, WV (GB)

(\*\*) **Term:** **14 Years**

(21) **Appl. No.:** **29/305,623**

(22) **Filed:** **Mar. 25, 2008**

(30) **Foreign Application Priority Data**

Sep. 26, 2007 (EM) ..... 000797063

(51) **LOC (8) Cl.** ..... **07-02**

(52) **U.S. Cl.** ..... **D7/354**

(58) **Field of Classification Search** ..... D7/323,  
D7/337, 354-361, 365, 378-379, 383-384,  
D7/545, 560; D15/150; 99/324-325, 329 R,  
99/330-340, 347, 403, 410-413, 419, 473;  
219/401, 428-430, 435-436, 440-441; 220/203.01,  
220/203.07, 303, 573.1, 912  
See application file for complete search history.

(56) **References Cited**

**U.S. PATENT DOCUMENTS**

D319,754 S \* 9/1991 Maass ..... D7/379

5,404,803 A \* 4/1995 Glucksman ..... 99/473  
5,497,695 A \* 3/1996 Canela ..... 99/335  
D534,561 S \* 1/2007 Kasman ..... D15/150  
D559,614 S \* 1/2008 Brown ..... D7/383

\* cited by examiner

*Primary Examiner*—Caron D. Veynar

*Assistant Examiner*—Ricky Pham

(74) *Attorney, Agent, or Firm*—Kusner & Jaffe

(57) **CLAIM**

The ornamental design for an electric cooker, as shown and described.

**DESCRIPTION**

FIG. 1 is a perspective view of an electric cooker showing my new design;

FIG. 2 is a left side elevational view thereof;

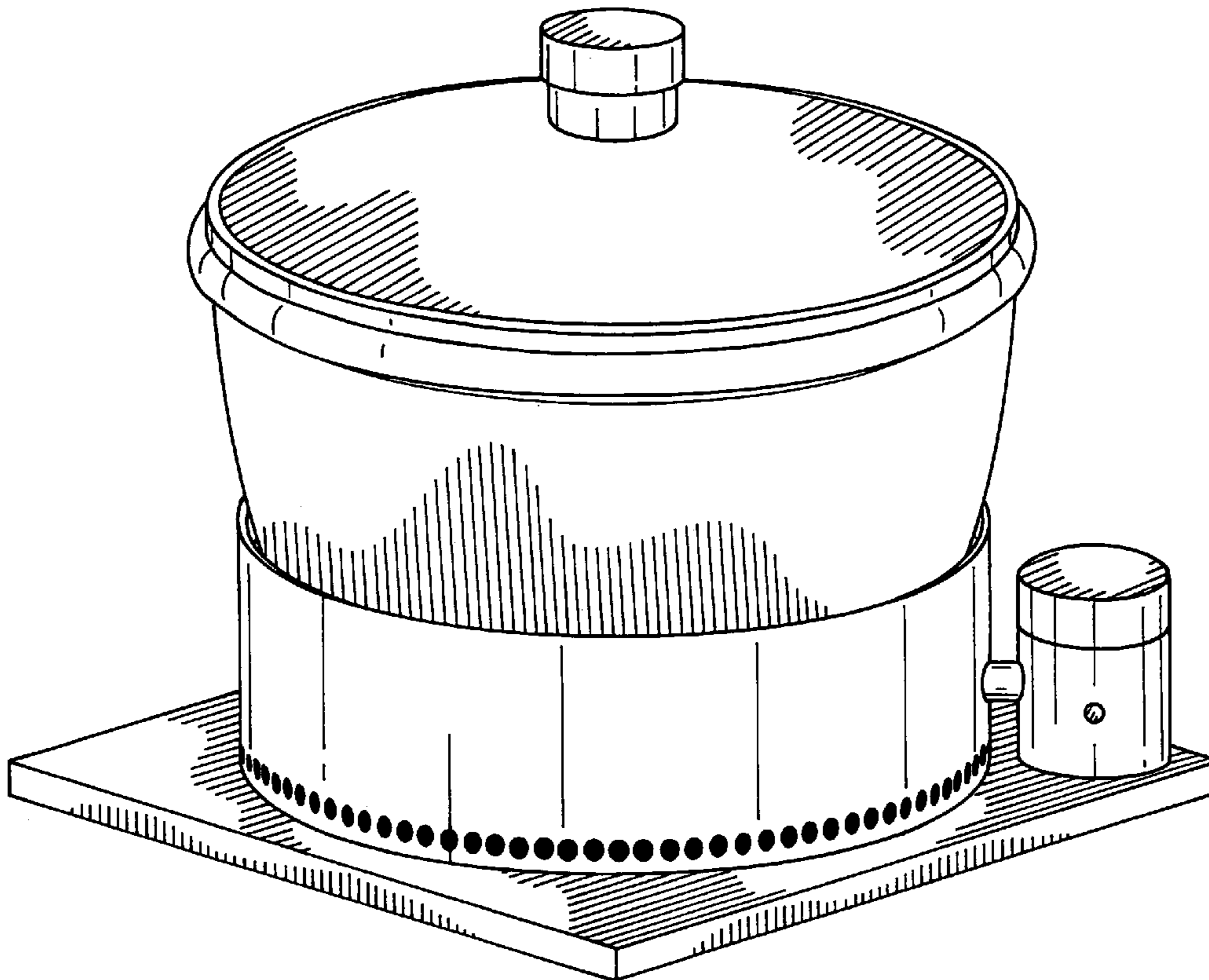
FIG. 3 is a right side elevational view thereof;

FIG. 4 is a rear elevational view thereof; and,

FIG. 5 is a top plan view thereof.

The broken lines shown in the drawings are for illustrative purposes only and form no part of the claimed design.

**1 Claim, 5 Drawing Sheets**



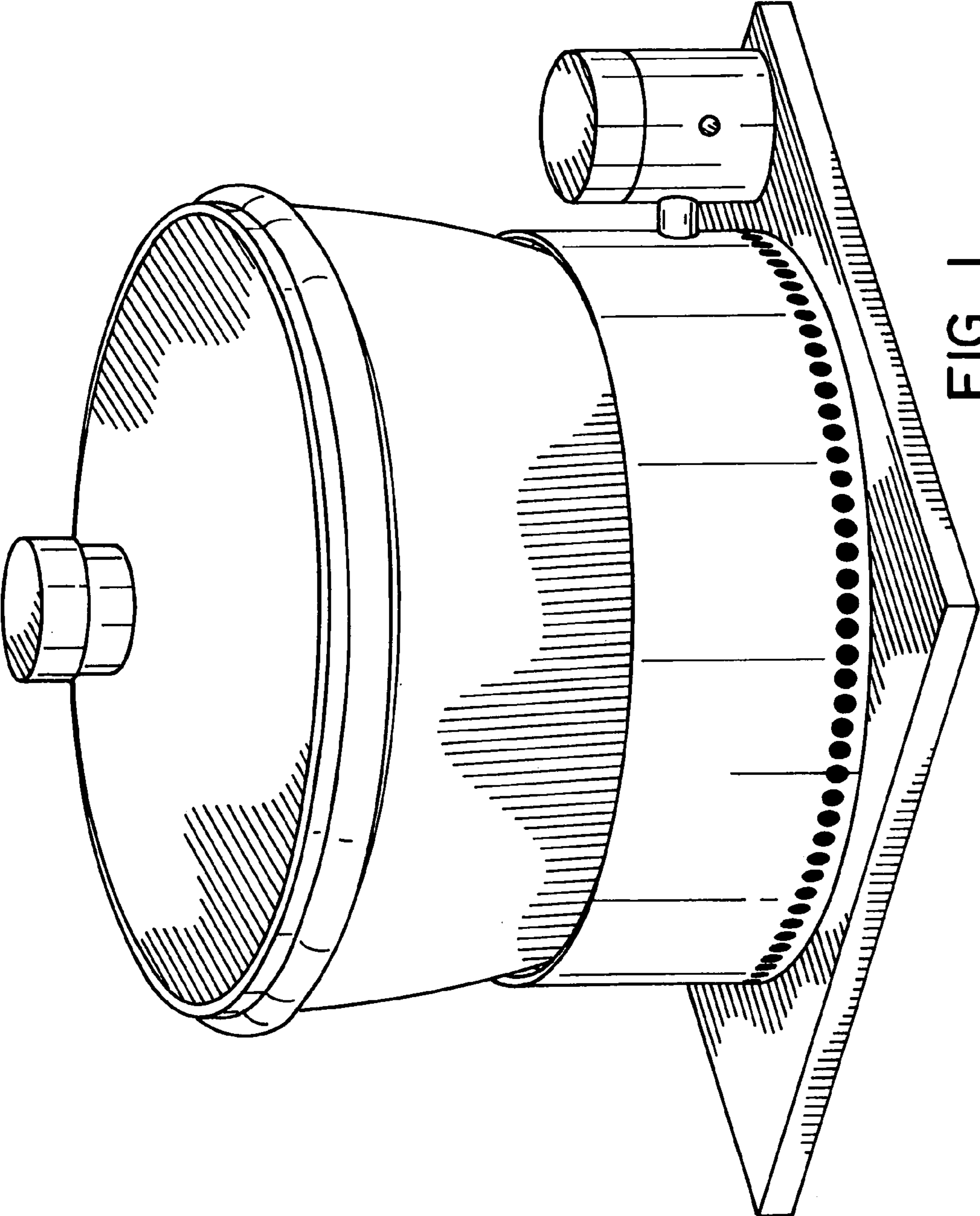


FIG. 1

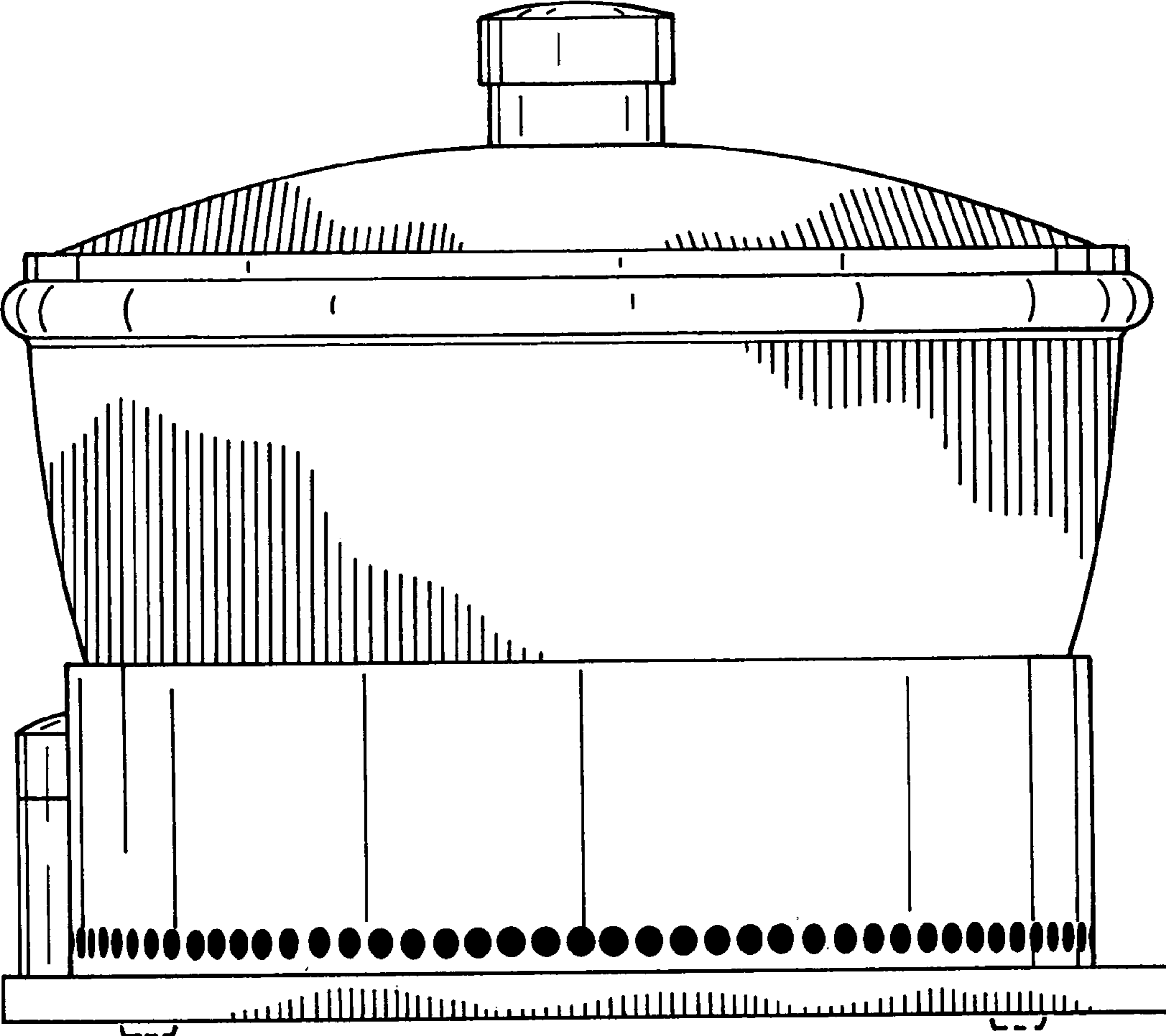


FIG. 2

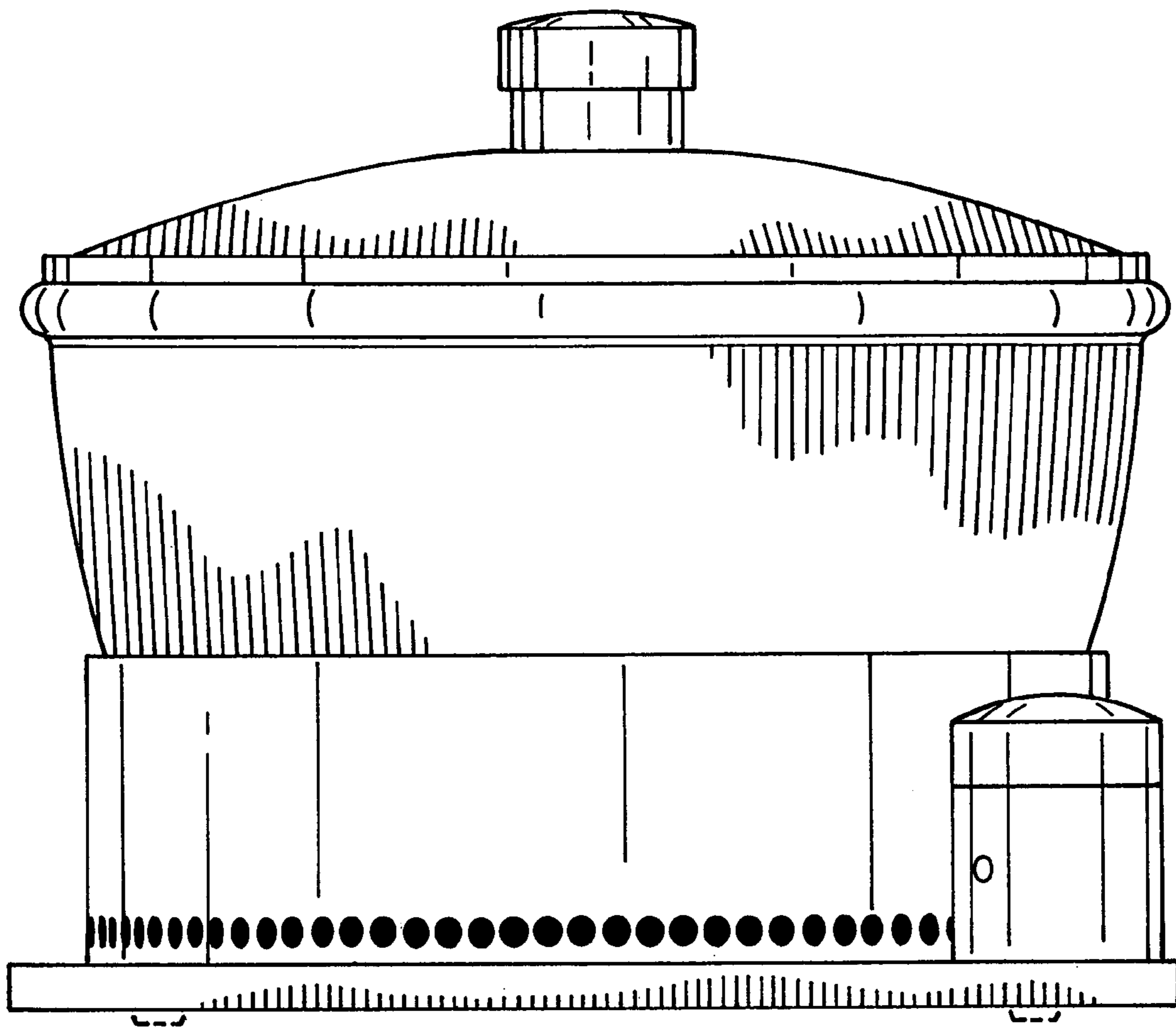


FIG. 3

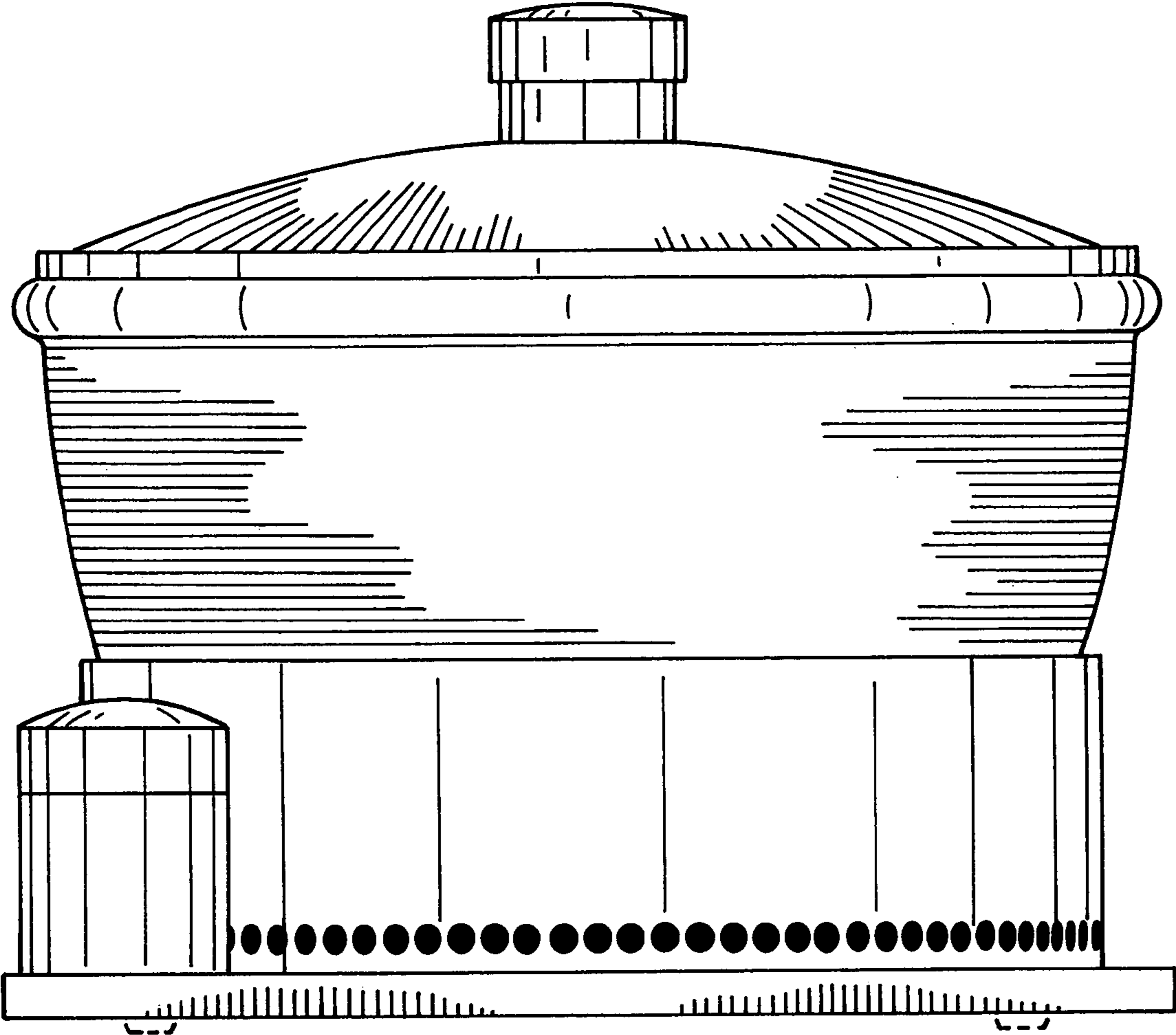


FIG. 4

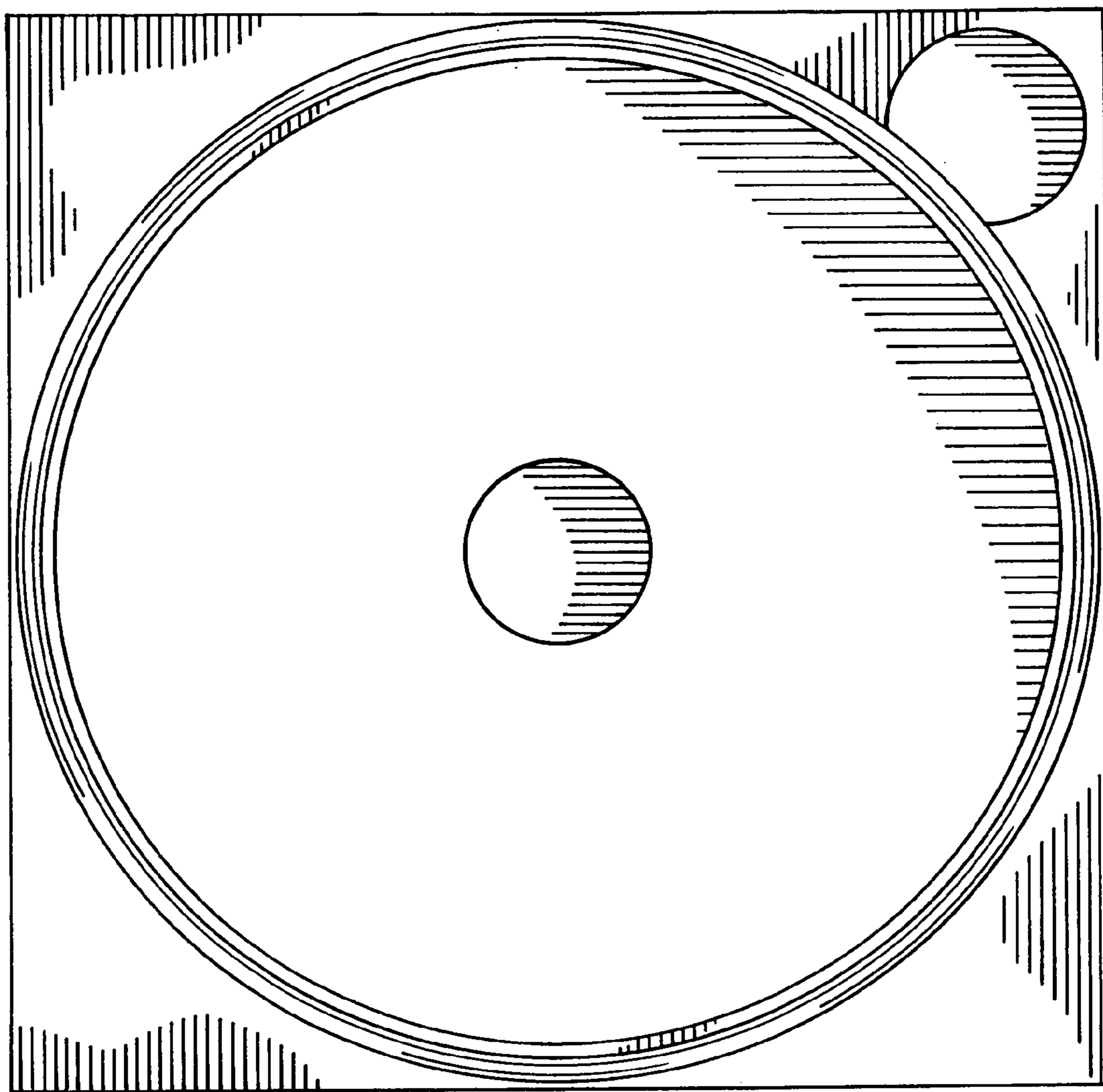


FIG. 5