



US00D577247S

(12) **United States Design Patent**  
**Barnes et al.**

(10) **Patent No.:** **US D577,247 S**

(45) **Date of Patent:** **\*\* Sep. 23, 2008**

(54) **SLOW COOKER**

(75) Inventors: **John Barnes**, Richmond, VA (US);  
**Yvonne Olson**, Richmond, VA (US);  
**David Jackson**, Mechanicsville, VA  
(US); **James Gaynor**, Richmond, VA  
(US)

(73) Assignee: **Hamilton Beach Brands, Inc.**, Glen  
Allen, VA (US)

(\*\*) Term: **14 Years**

(21) Appl. No.: **29/299,461**

(22) Filed: **Dec. 27, 2007**

(51) **LOC (8) Cl.** ..... **07-02**

(52) **U.S. Cl.** ..... **D7/354**

(58) **Field of Classification Search** ..... D7/323,  
D7/337, 354-361, 378, 384, 545; 99/324-325,  
99/340, 347, 403, 410-413, 419; 219/401,  
219/440-441; 220/573.1, 912

See application file for complete search history.

(56) **References Cited**

**U.S. PATENT DOCUMENTS**

D22,155 S	1/1893	Haynes
797,314 A	8/1905	Owens
D38,873 S	11/1907	Meakin
D87,677 S	8/1932	Osius
D115,298 S	6/1939	Platt
2,202,320 A	5/1940	Sacerdote
2,414,868 A	1/1947	Gunther
2,682,602 A	6/1954	Huck
D172,552 S	7/1954	Perl et al.
2,800,310 A	7/1957	Snyder

2,823,290 A	2/1958	Warner
3,051,303 A	8/1962	Daanen et al.
3,094,258 A	6/1963	Punke
3,246,122 A	4/1966	Wetzel
3,313,919 A	4/1967	Richardson et al.

(Continued)

*Primary Examiner*—Stella M. Reid

*Assistant Examiner*—Ricky Pham

(74) *Attorney, Agent, or Firm*—Panitch Schwarze Belisario &  
Nadel LLP

(57) **CLAIM**

The ornamental design for a slow cooker, as shown and  
described.

**DESCRIPTION**

FIG. 1 is a top perspective view of a slow cooker in accor-  
dance with our new design;

FIG. 2 is a front elevational view of the slow cooker shown in  
FIG. 1;

FIG. 3 is a left-side elevational view of the slow cooker shown  
in FIG. 1;

FIG. 4 is a right-side elevational view of the slow cooker  
shown in FIG. 1;

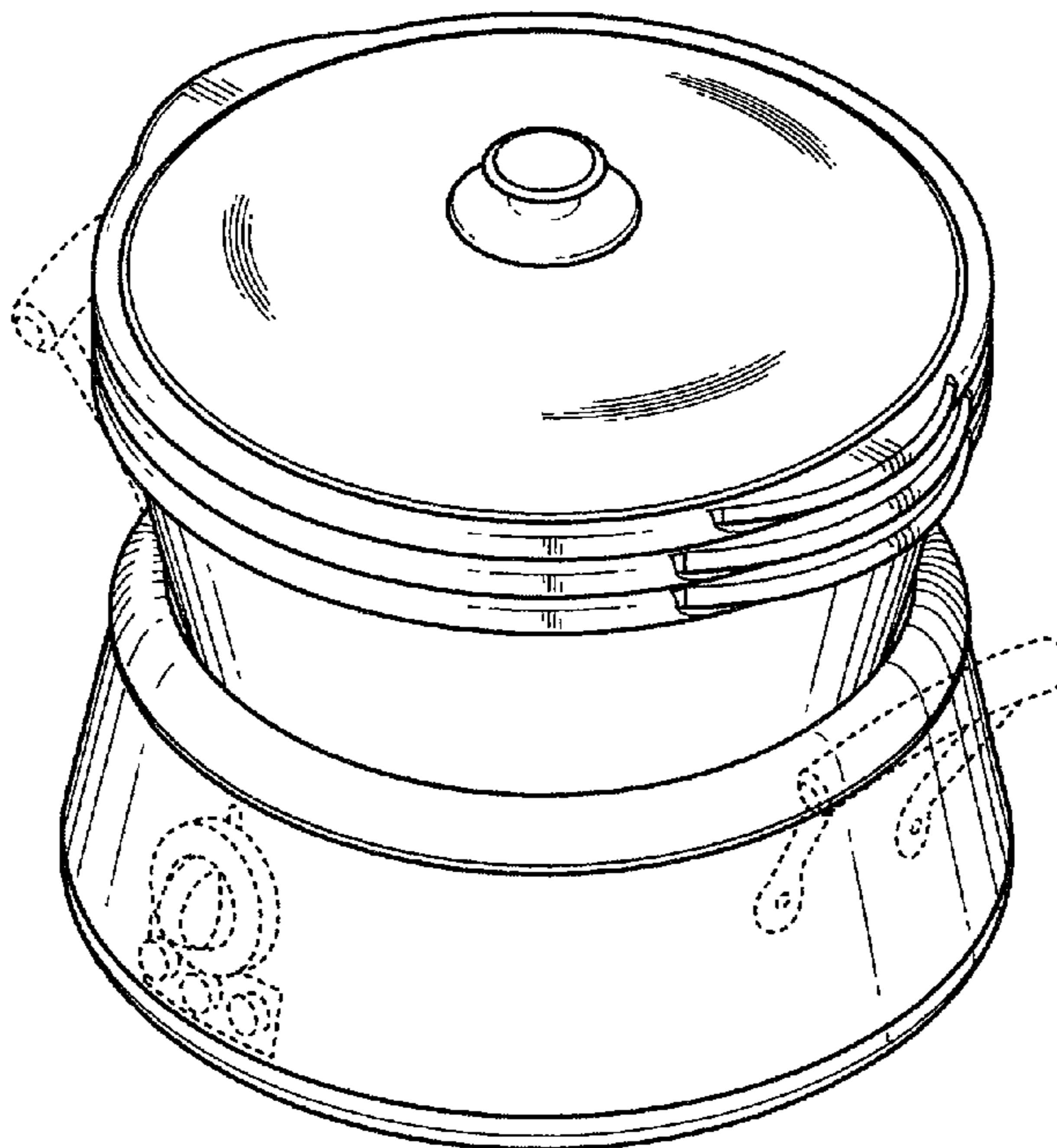
FIG. 5 is a bottom plan view of the slow cooker shown in FIG.  
1;

FIG. 6 is a rear elevational view of the slow cooker shown in  
FIG. 1; and,

FIG. 7 is a top plan view of the slow cooker shown in FIG. 1.

The broken lines in the figures are for illustrative purposes  
only and form no part of the claimed design.

**1 Claim, 7 Drawing Sheets**



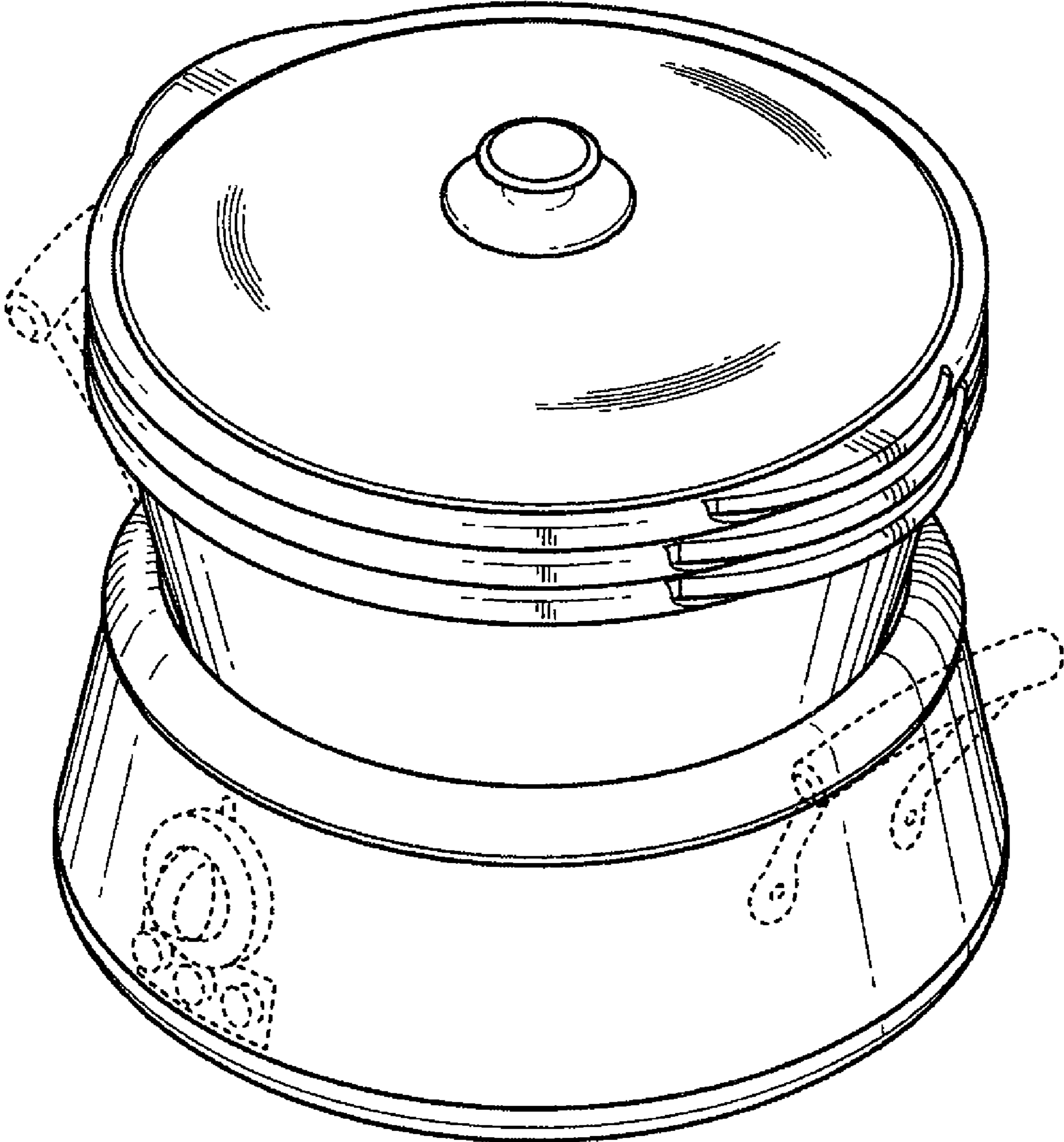
# US D577,247 S

Page 2

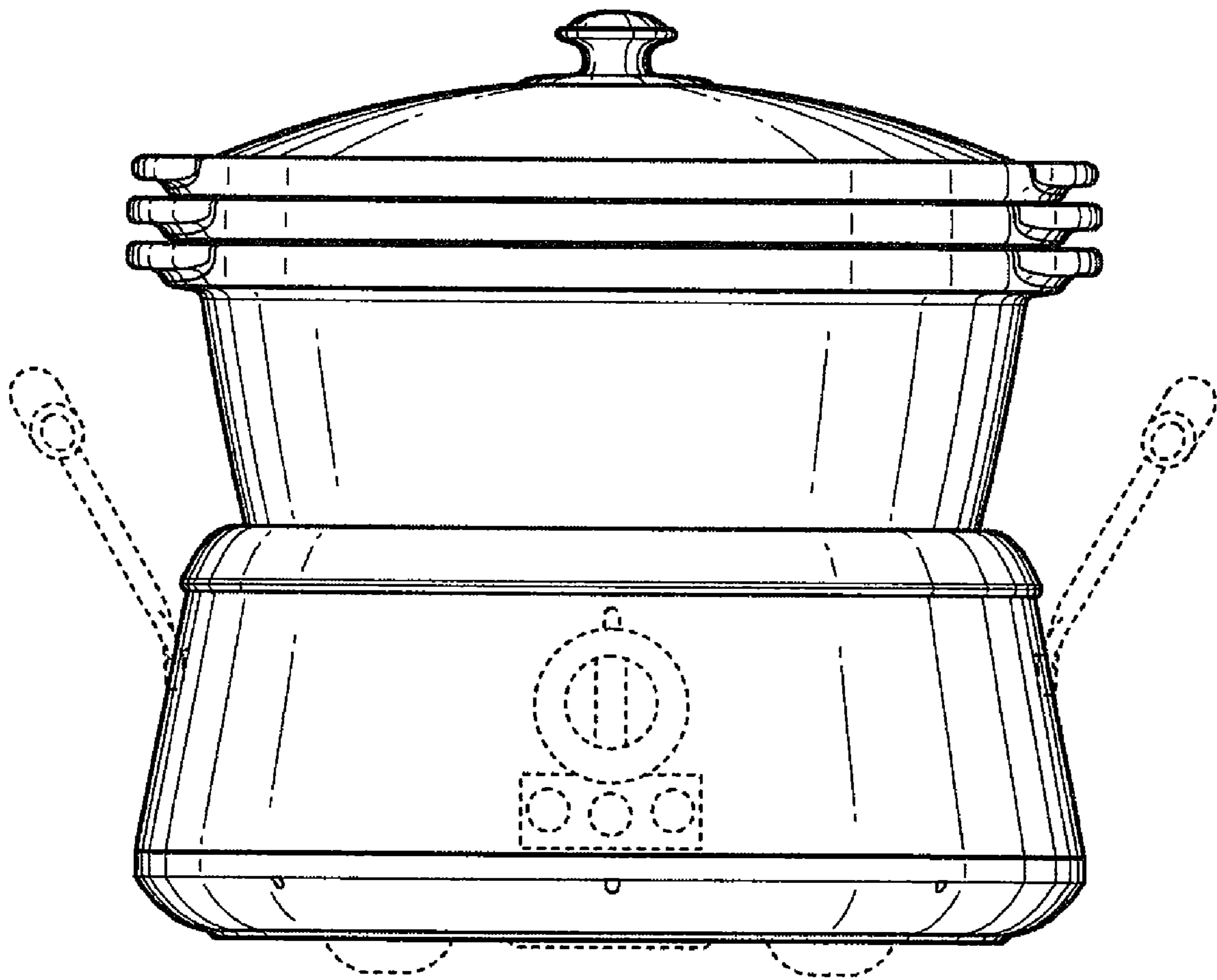
---

U.S. PATENT DOCUMENTS							
3,395,266	A	7/1968	Price	6,373,031	B1	4/2002	Barrow
3,908,111	A	9/1975	Du Bois et al.	6,570,139	B1	5/2003	Levy et al.
4,204,609	A	5/1980	Kuhn	6,573,483	B1	6/2003	DeCobert et al.
4,243,873	A	1/1981	Helgesen	6,587,739	B1	7/2003	Abrams et al.
4,307,287	A	12/1981	Weiss	D479,432	S	9/2003	Barker
4,483,317	A	11/1984	Masters	6,729,472	B2	5/2004	Stucke et al.
4,951,832	A	8/1990	Tenny et al.	6,740,855	B1	5/2004	DeCobert et al.
D368,626	S	4/1996	Hentz	D496,555	S	9/2004	Rommelfanger et al.
D381,553	S	* 7/1997	Candianides ..... D7/356	6,796,430	B2	9/2004	Mercier et al.
5,984,156	A	11/1999	Bridges	6,872,921	B1	3/2005	DeCobert et al.
D420,247	S	2/2000	Kaney et al.	D503,584	S	4/2005	White et al.
6,111,239	A	8/2000	Park	6,884,971	B2	4/2005	Li
D437,182	S	2/2001	Choi	D517,857	S	3/2006	Poon
6,188,046	B1	2/2001	Barrow	7,009,149	B2	3/2006	White et al.
6,248,982	B1	6/2001	Reid et al.	D520,806	S	* 5/2006	Ryan ..... D7/354
D444,342	S	7/2001	Kruepke et al.	D525,077	S	* 7/2006	White et al. .... D7/355
6,259,068	B1	7/2001	Barrow	D536,210	S	* 2/2007	Yeung ..... D7/356
6,274,847	B1	8/2001	Hlava et al.	D543,072	S	* 5/2007	Ting et al. .... D7/378
D453,091	S	1/2002	Gouthiere	D547,601	S	* 7/2007	Ting et al. .... D7/384
				2005/0029249	A1	2/2005	Wanat

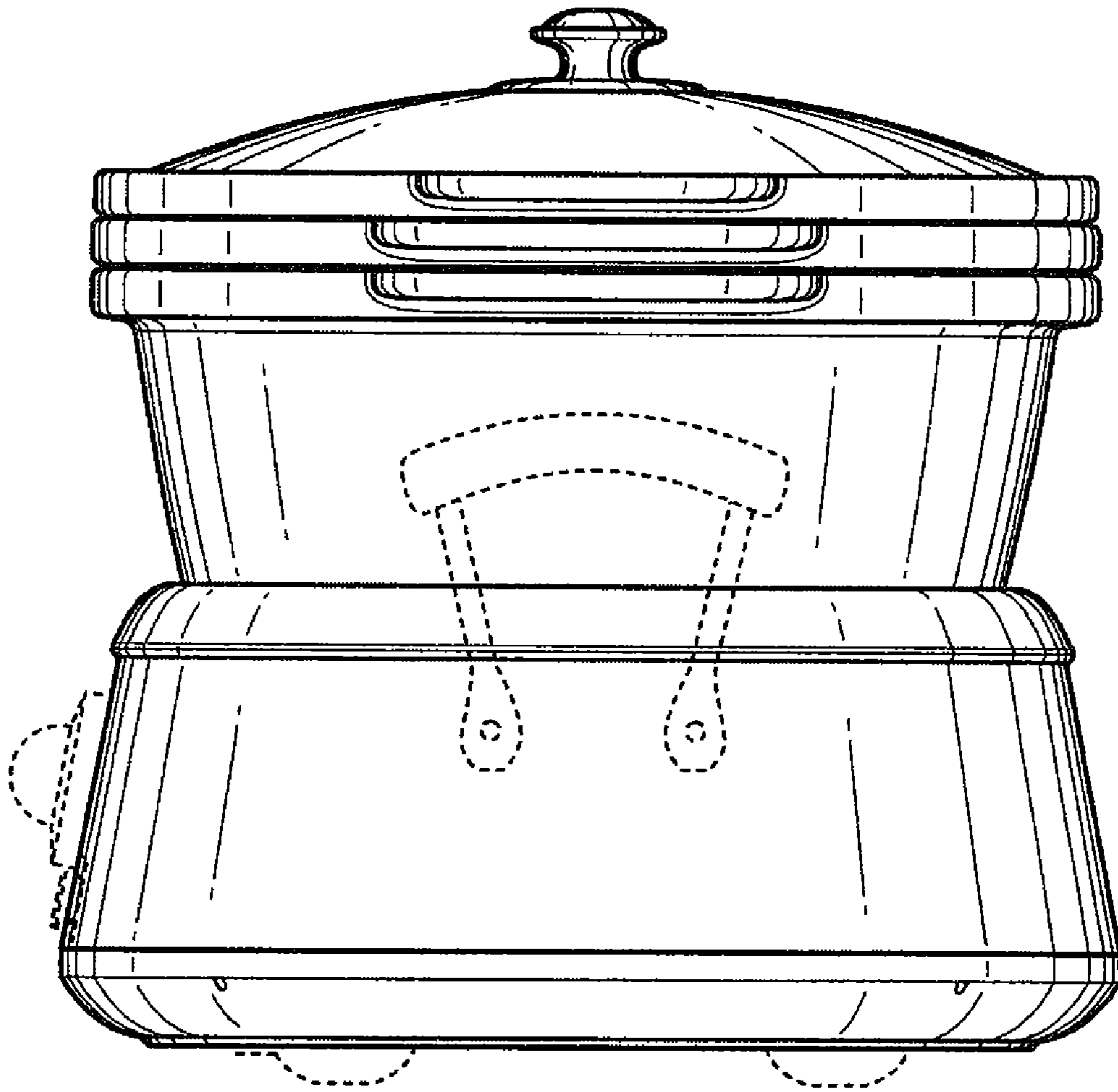
\* cited by examiner



**FIG. 1**

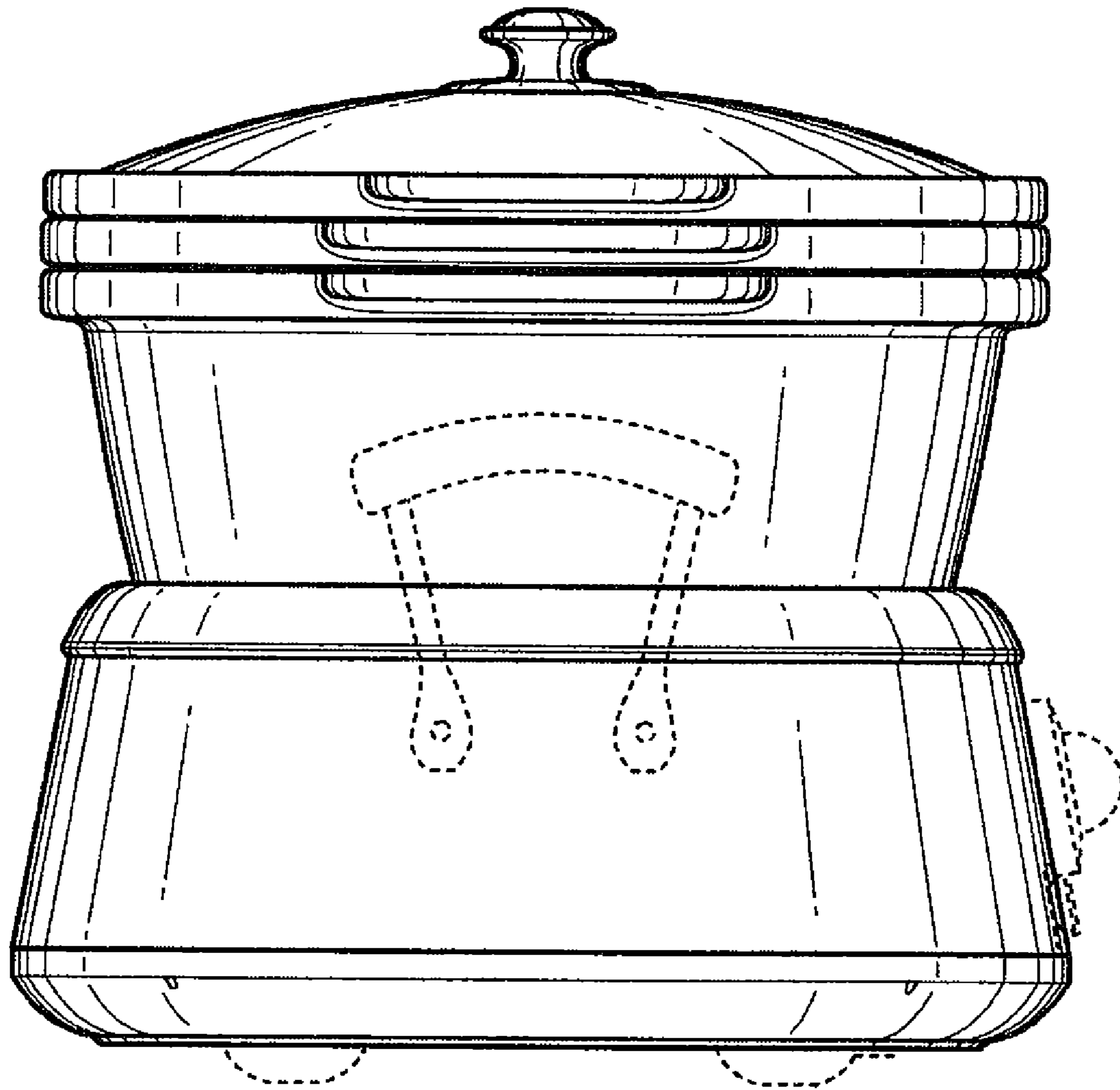


**FIG. 2**



**FIG. 3**





**FIG. 4**

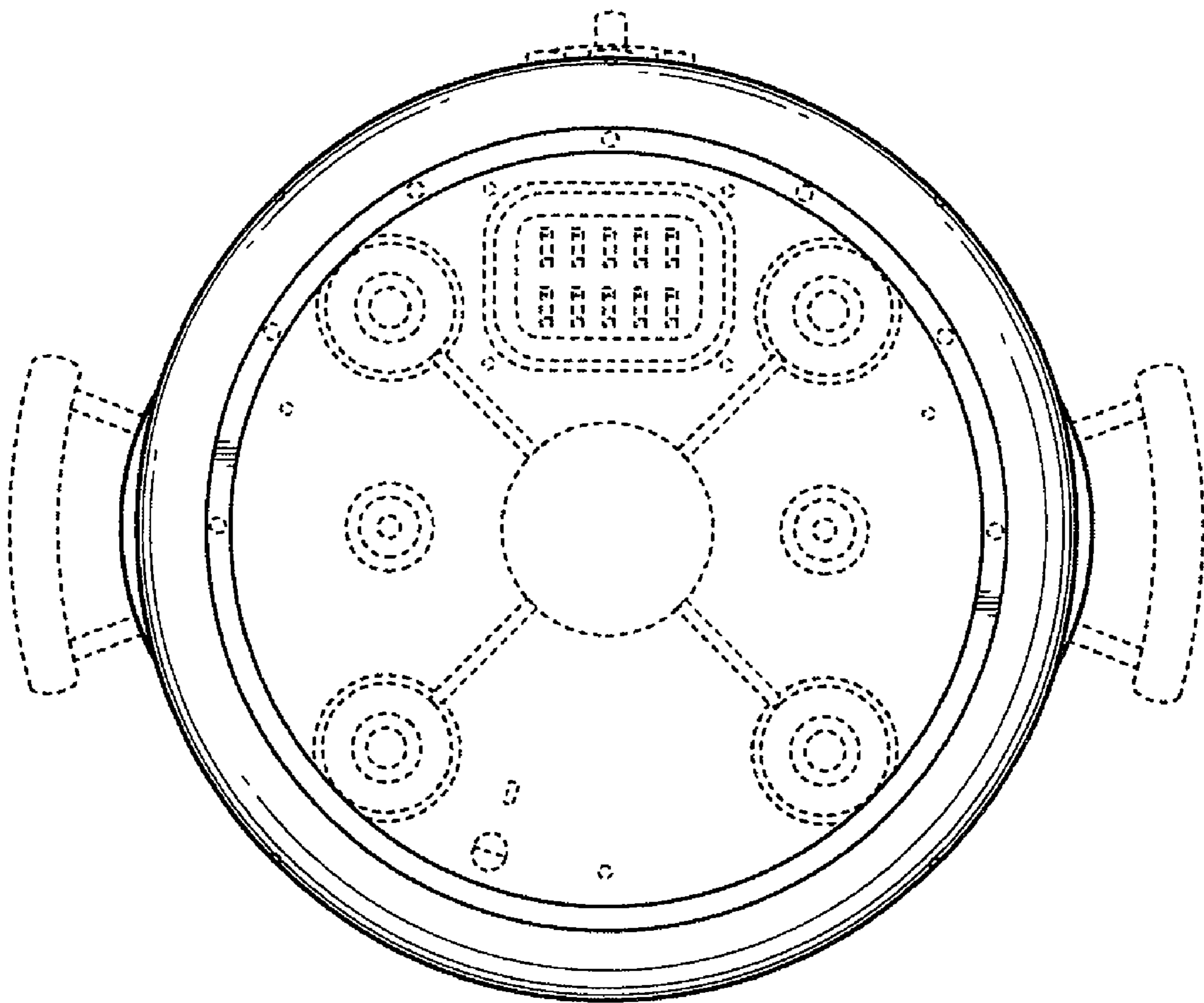


FIG. 5

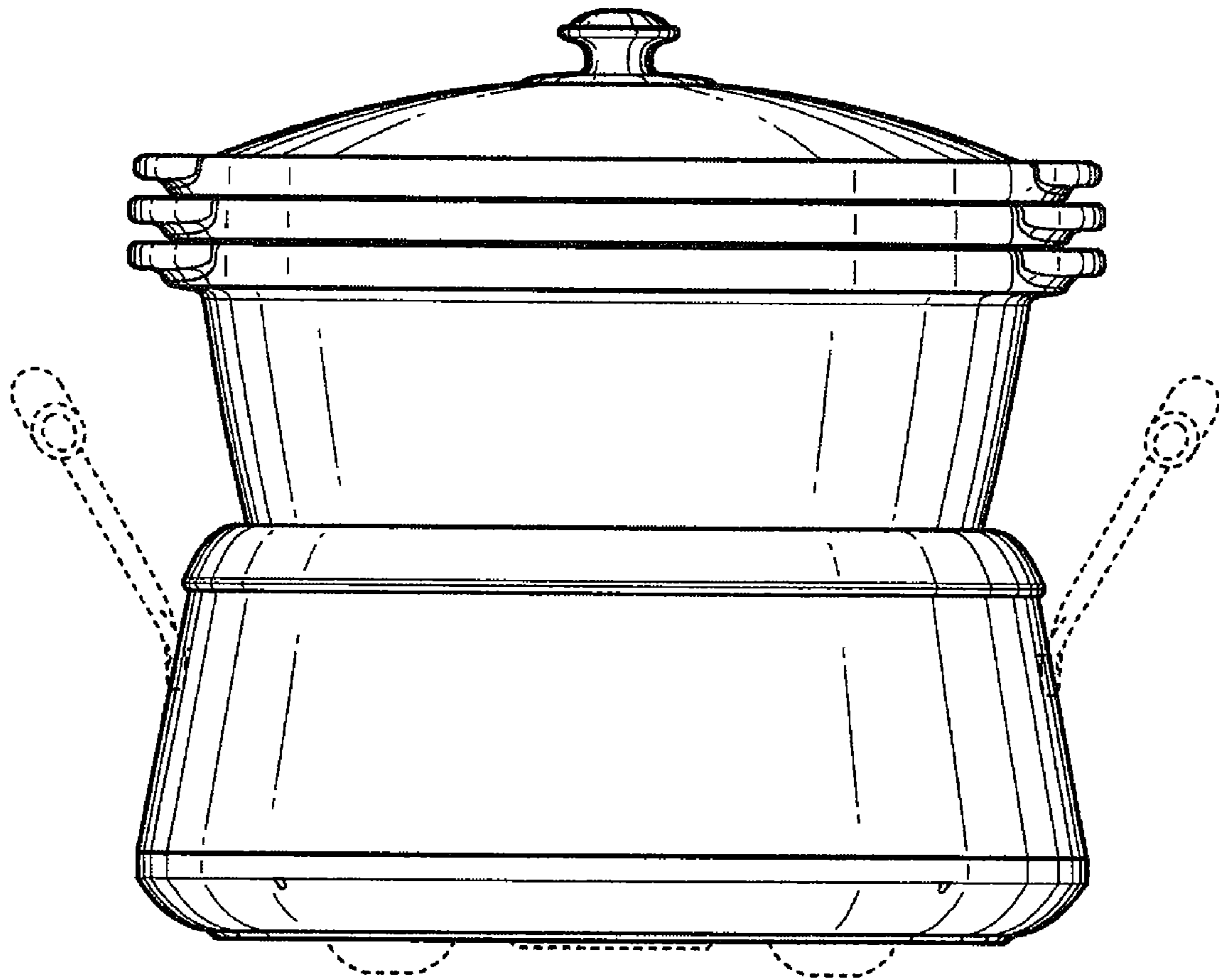


FIG. 6



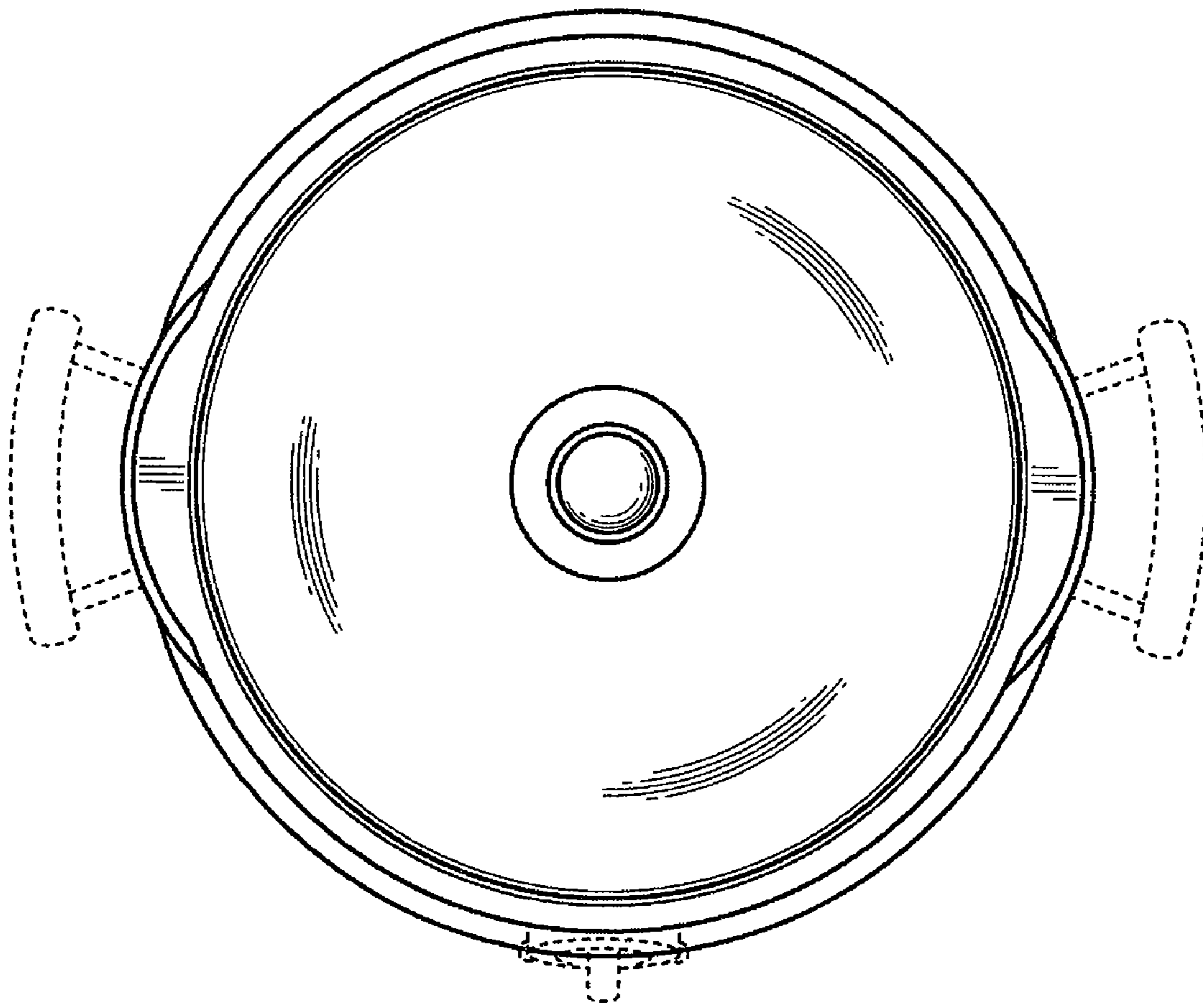


FIG. 7