



US00D577237S

(12) **United States Design Patent**
Goodman et al.

(10) **Patent No.:** **US D577,237 S**
(45) **Date of Patent:** **** Sep. 23, 2008**

(54) **DOUBLE WIRE WALL-MOUNT MAGAZINE RACK**

Primary Examiner—Brian N Vinson
(74) *Attorney, Agent, or Firm*—Pearne & Gordon LLP

(75) Inventors: **Sheldon H. Goodman**, Solon, OH (US);
Omer I. Sazir, Cleveland, OH (US)

(57) **CLAIM**

The ornamental design for a double wire wall-mount magazine rack, as shown and described.

(73) Assignee: **Spectrum Diversified Designs, Inc.**,
Streetsboro, OH (US)

DESCRIPTION

(**) Term: **14 Years**

FIG. 1 is a perspective view of a double wire wall mount magazine rack, showing our new design;

(21) Appl. No.: **29/303,483**

FIG. 2 is a front elevational view thereof;

(22) Filed: **Feb. 11, 2008**

FIG. 3 is a rear elevational view thereof;

(51) **LOC (8) Cl.** **06-04**

FIG. 4 is a side elevational view thereof;

(52) **U.S. Cl.** **D6/566**

FIG. 5 is a top plan view thereof;

(58) **Field of Classification Search** D6/540,
D6/553, 567; D3/201, 304, 315, 901; 206/77.1,
206/5, 207, 349, 361, 363, 812; 211/13.1,
211/85.1, 85.12, 70.6, 86.01, 87.01, 119.009
See application file for complete search history.

FIG. 6 is a bottom plan view thereof;

FIG. 7 is a perspective view of a second embodiment of a double wire wall mount magazine rack, showing our new design;

FIG. 8 is a front elevational view thereof;

(56) **References Cited**

U.S. PATENT DOCUMENTS

D322,002 S *	12/1991	Emery	D6/566
D540,091 S *	4/2007	Snell	D6/566
D553,320 S *	10/2007	Rosen	D6/566
D554,418 S *	11/2007	Goodman et al.	D6/566
D559,024 S *	1/2008	Tau	D6/566

FIG. 9 is a rear elevational view thereof;

FIG. 10 is a side elevational view thereof;

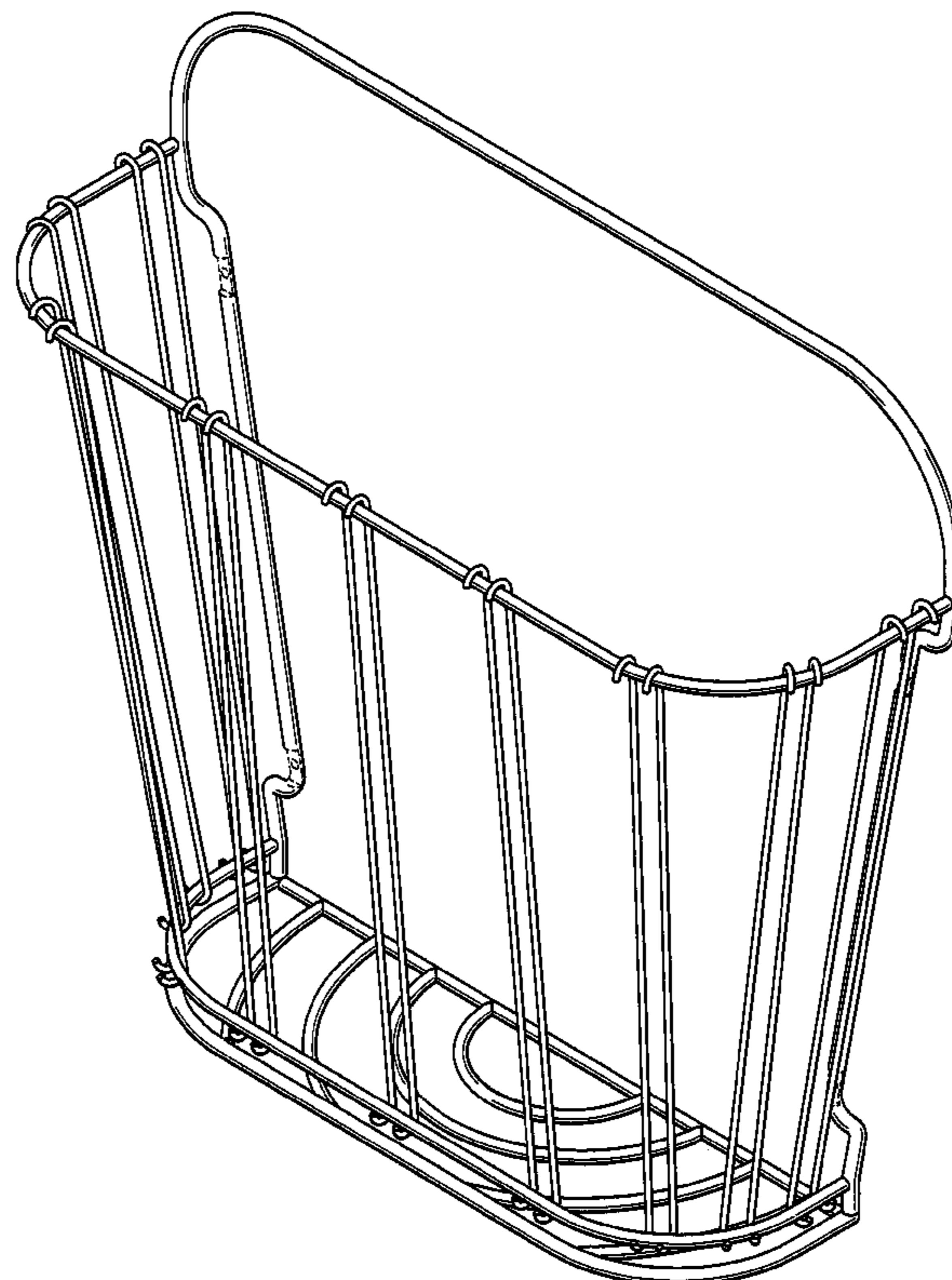
FIG. 11 is a top plan view thereof; and,

FIG. 12 is a bottom plan view thereof.

The dotted-line disclosure of elements in the views is for illustrative purposes only and forms no part of the claimed design.

* cited by examiner

1 Claim, 10 Drawing Sheets



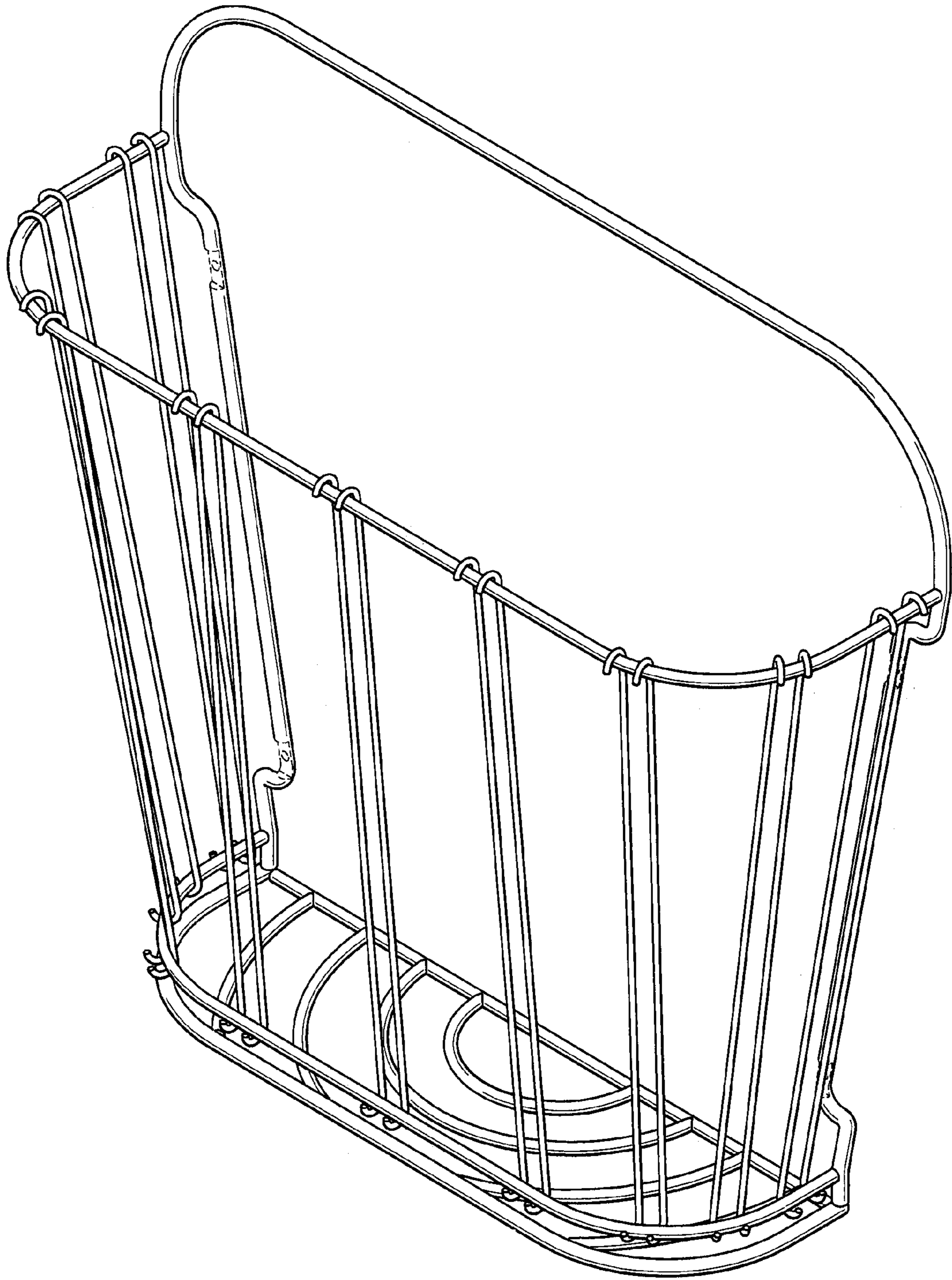


FIG. 1

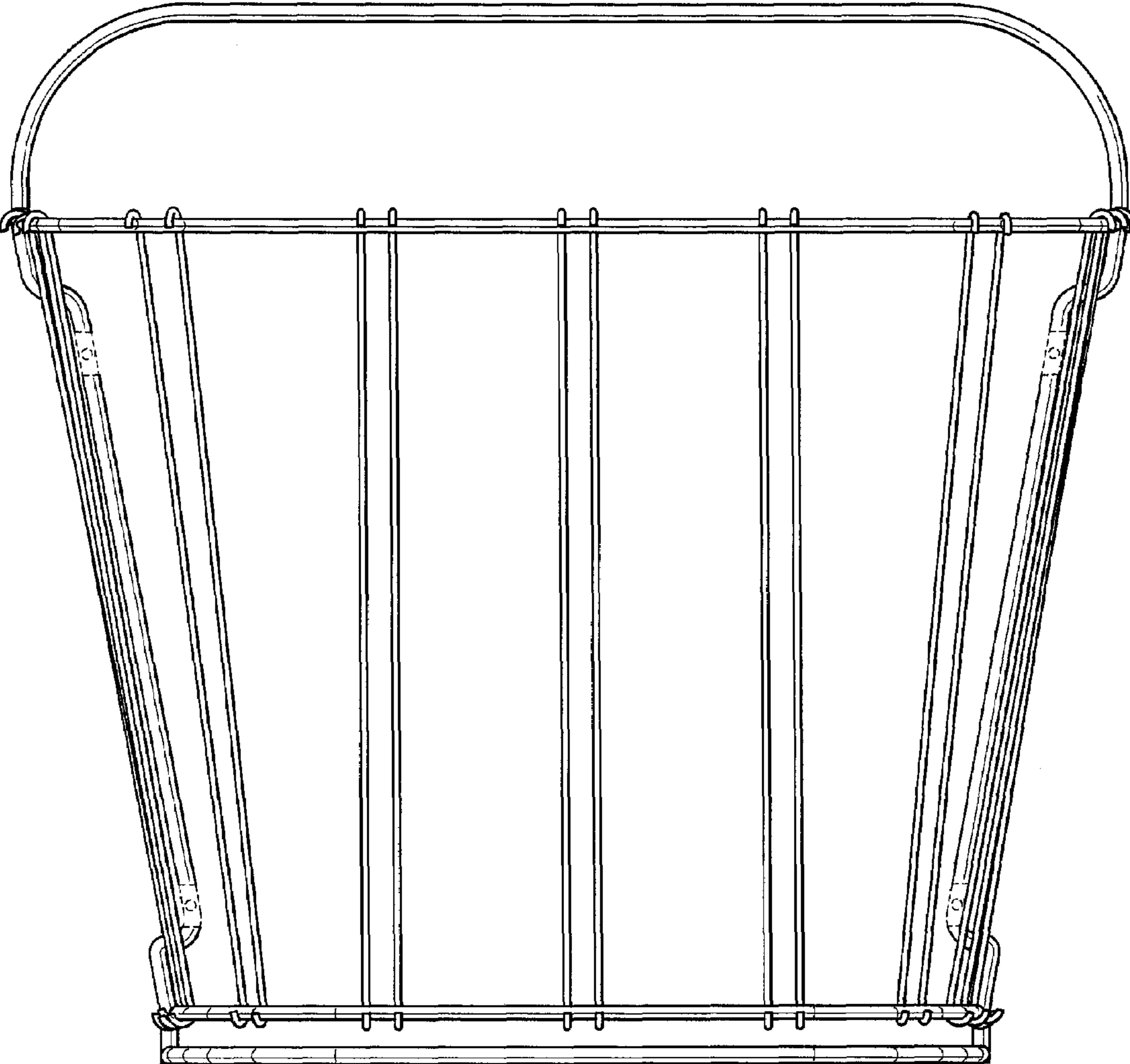


FIG. 2

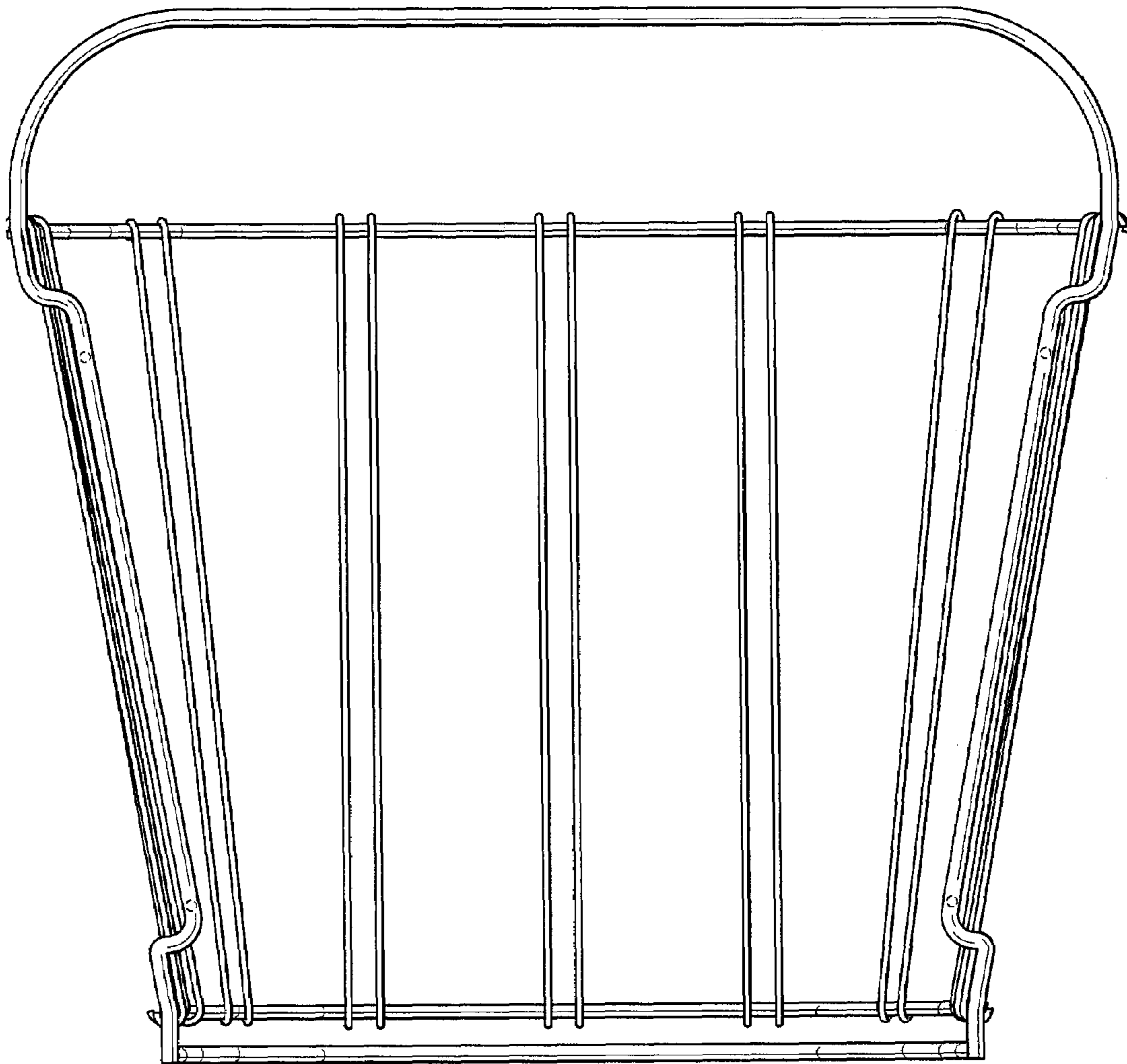


FIG. 3

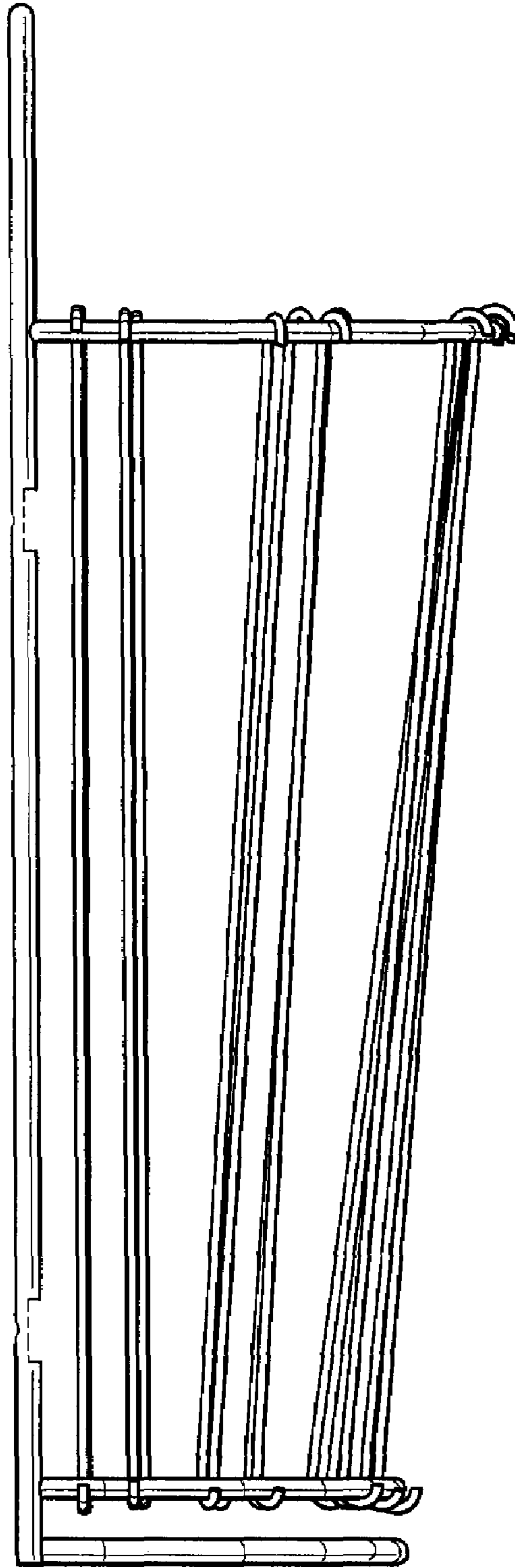


FIG. 4

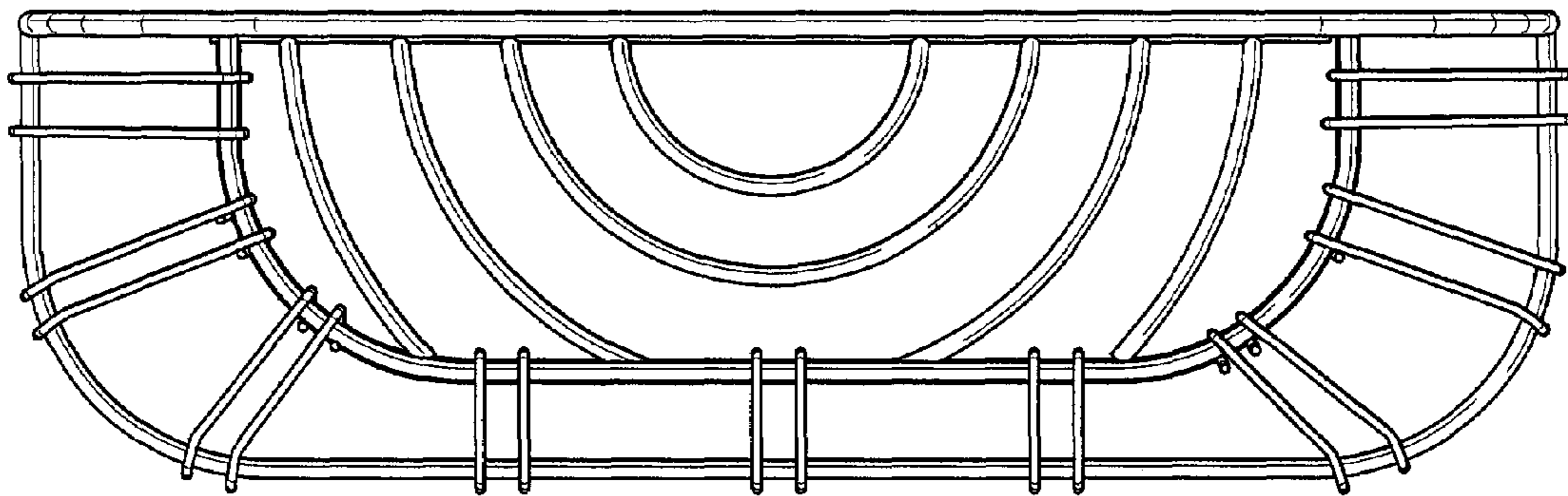


FIG. 5

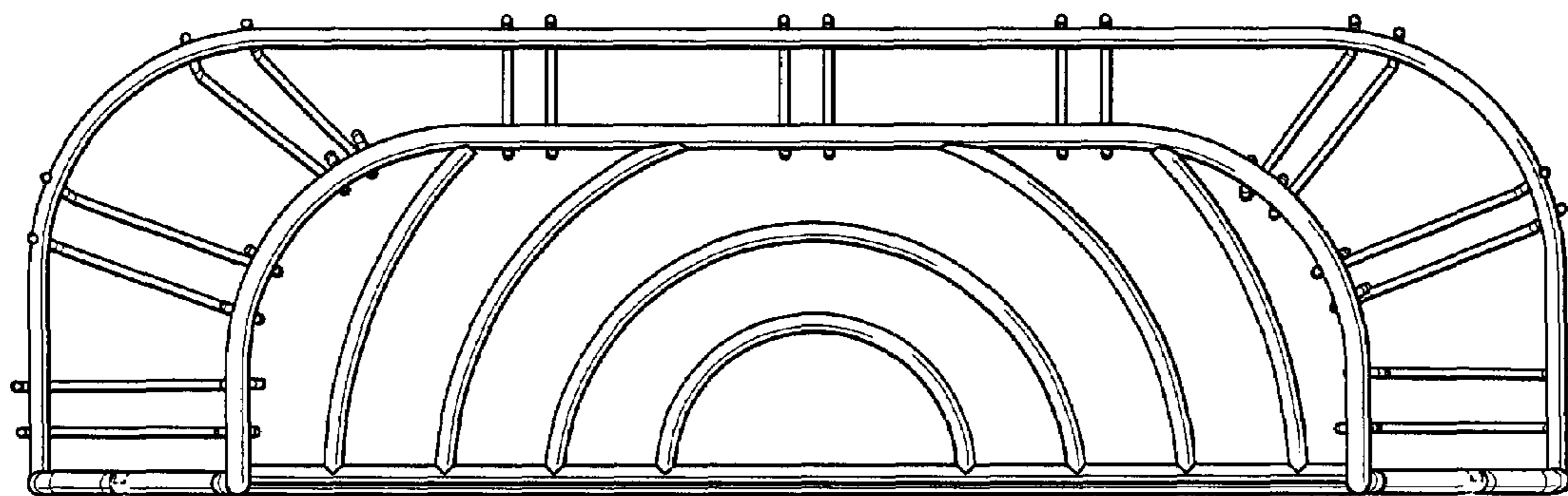


FIG. 6

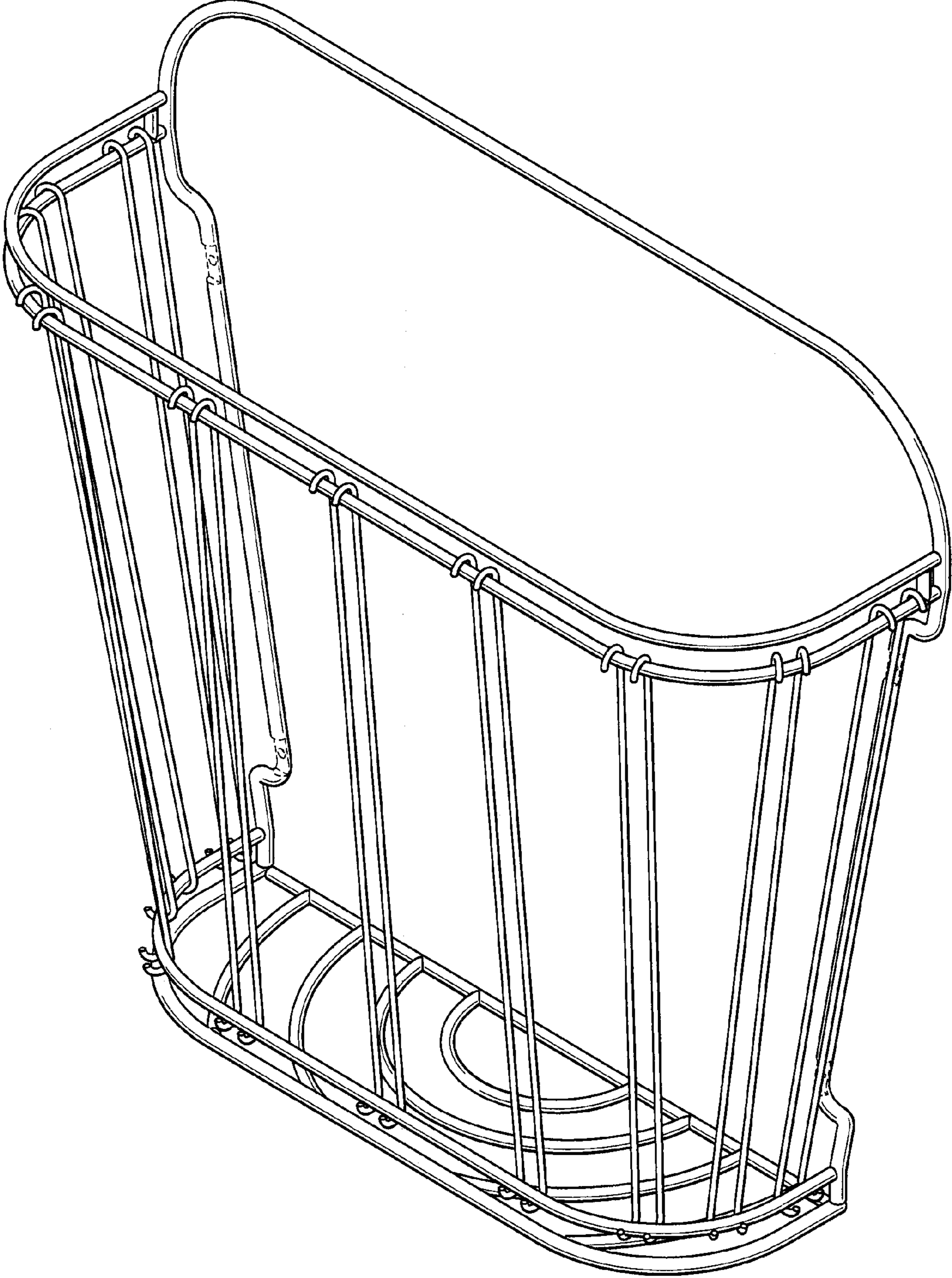


FIG. 7

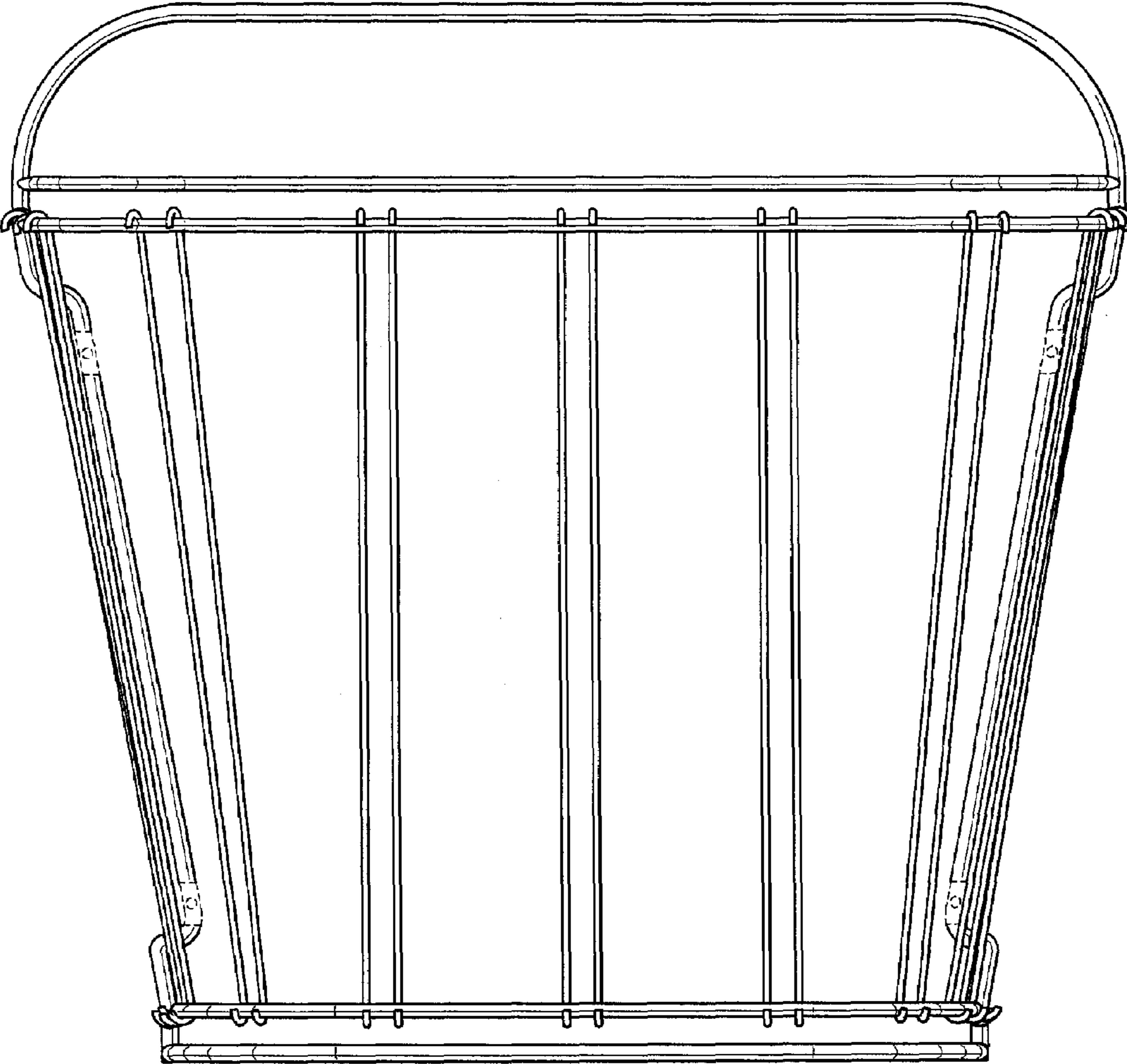


FIG. 8

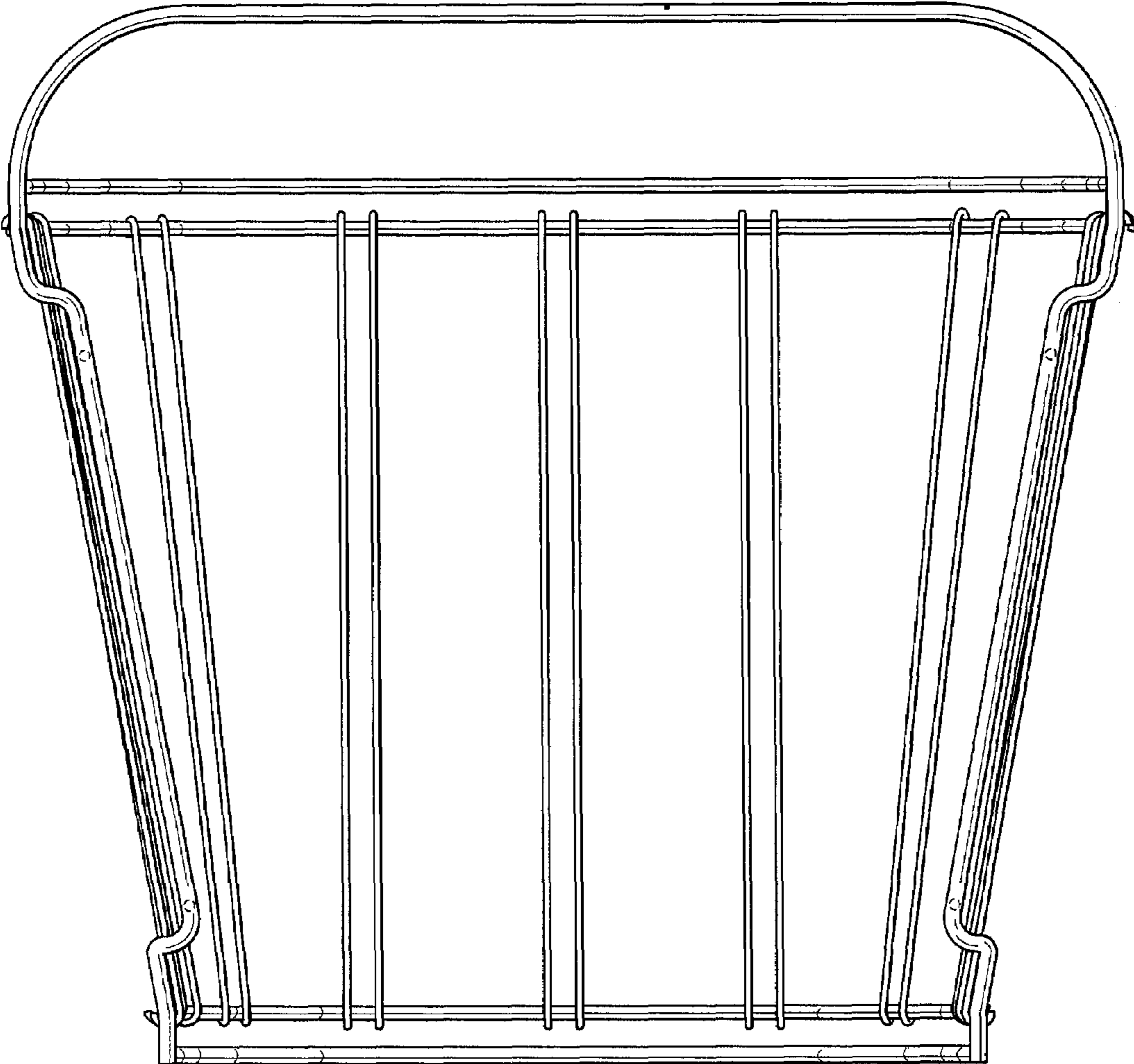


FIG. 9

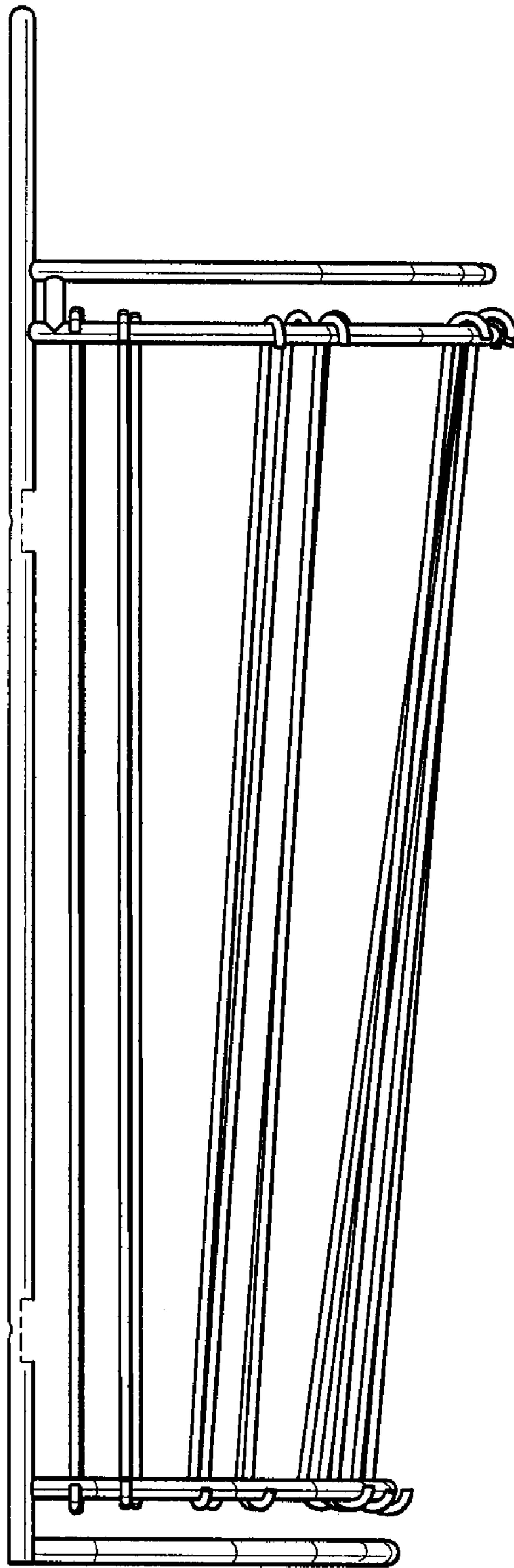


FIG. 10

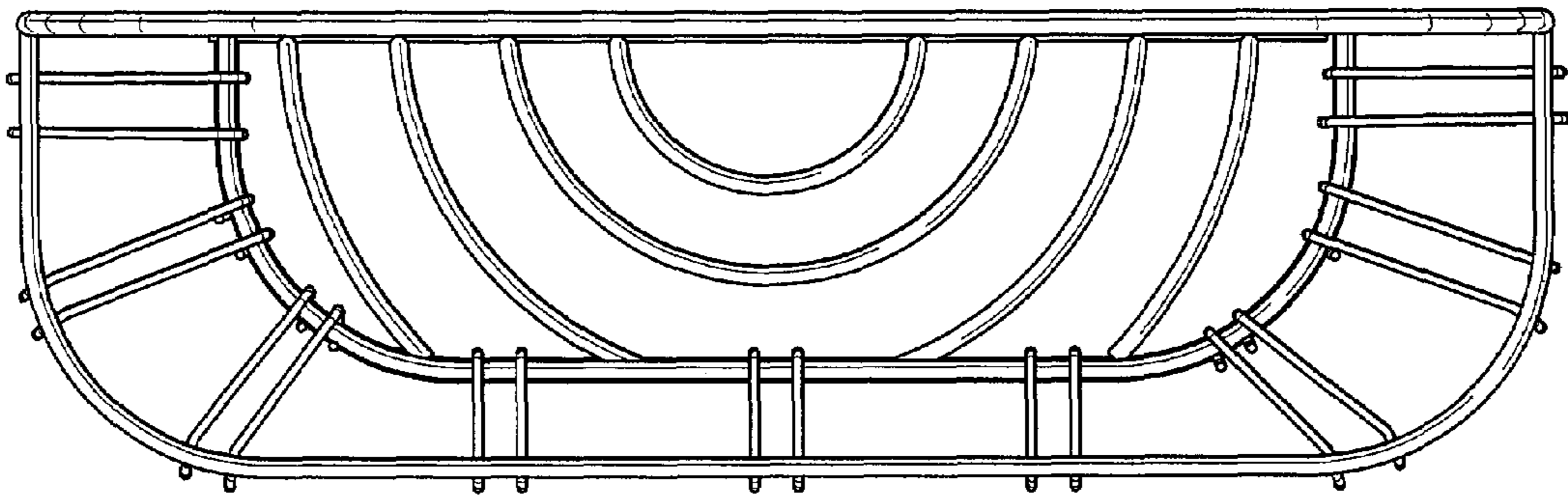


FIG. 1 1

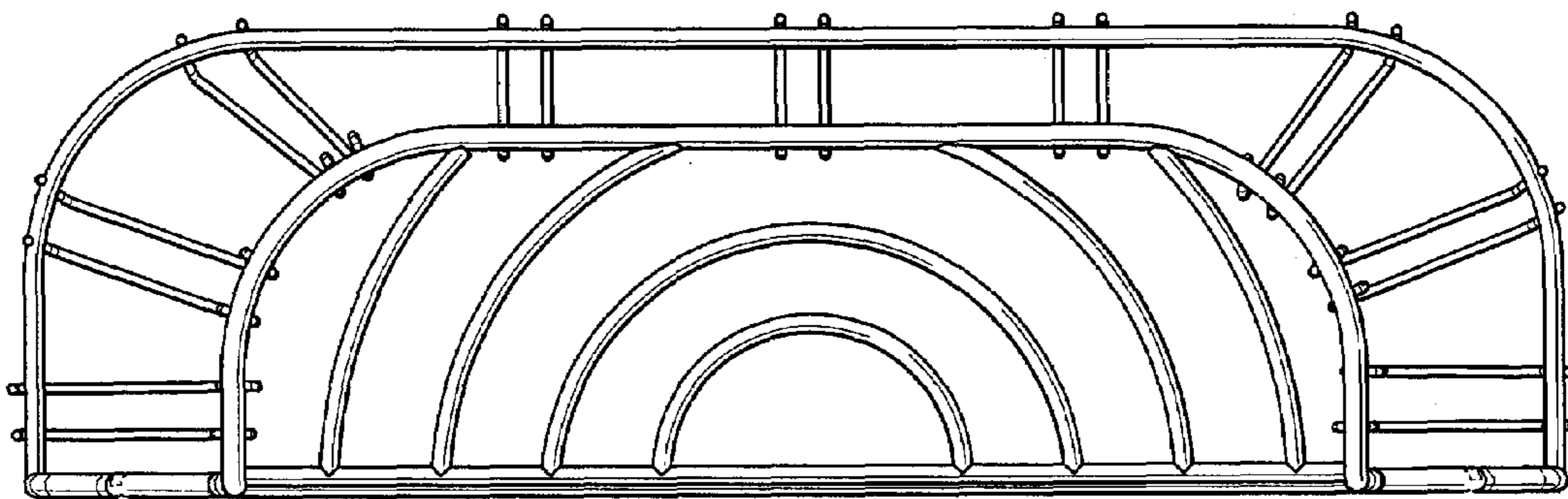


FIG. 1 2