



US00D577235S

(12) **United States Design Patent**  
**Blazer**

(10) **Patent No.:** **US D577,235 S**

(45) **Date of Patent:** **\*\* Sep. 23, 2008**

(54) **STORAGE RACK FOR SPORTS BALLS**

D535,511 S 1/2007 Peffley  
D540,409 S 4/2007 Martin et al.  
D557,540 S 12/2007 Maycock  
D565,338 S \* 4/2008 St. Peter et al. .... D6/552

(75) Inventor: **Harold L. Blazer**, Wray, CO (US)

(73) Assignee: **Redblaze, L.L.C.**, Minden, NE (US)

(\*\*) Term: **14 Years**

(21) Appl. No.: **29/304,660**

(22) Filed: **Mar. 5, 2008**

\* cited by examiner

*Primary Examiner*—Brian N Vinson

(74) *Attorney, Agent, or Firm*—W. Scott Carson

(57) **CLAIM**

The ornamental design for a storage rack for sports balls, as shown and described.

**Related U.S. Application Data**

(62) Division of application No. 29/278,131, filed on Mar. 20, 2007.

(51) **LOC (8) Cl.** ..... **08-08**

(52) **U.S. Cl.** ..... **D6/552**

(58) **Field of Classification Search** ..... D6/552,  
D6/566, 396, 397, 449, 455; D21/785; 108/28,  
108/59, 91, 150; 206/315.91; 211/13.1,  
211/14; 248/309.1

See application file for complete search history.

**DESCRIPTION**

FIG. 1 is a perspective view of a storage rack for sports balls showing my new design. The broken lines in the drawing are for illustrative purposes only and form no part of the claimed design.

FIG. 2 is a perspective view thereof.

FIG. 3 is a front elevational view thereof.

FIG. 4 is a right side elevational view, the left side elevational view being a mirror image thereof.

FIG. 5 is a rear elevational view thereof.

FIG. 6 is a top plan view thereof; and,

FIG. 7 is a bottom plan view thereof.

(56) **References Cited**

**U.S. PATENT DOCUMENTS**

D248,809 S 8/1978 Kailey  
D314,110 S 1/1991 Ohno  
D389,688 S 1/1998 Iacono  
D499,921 S 12/2004 Moon et al.

**1 Claim, 4 Drawing Sheets**

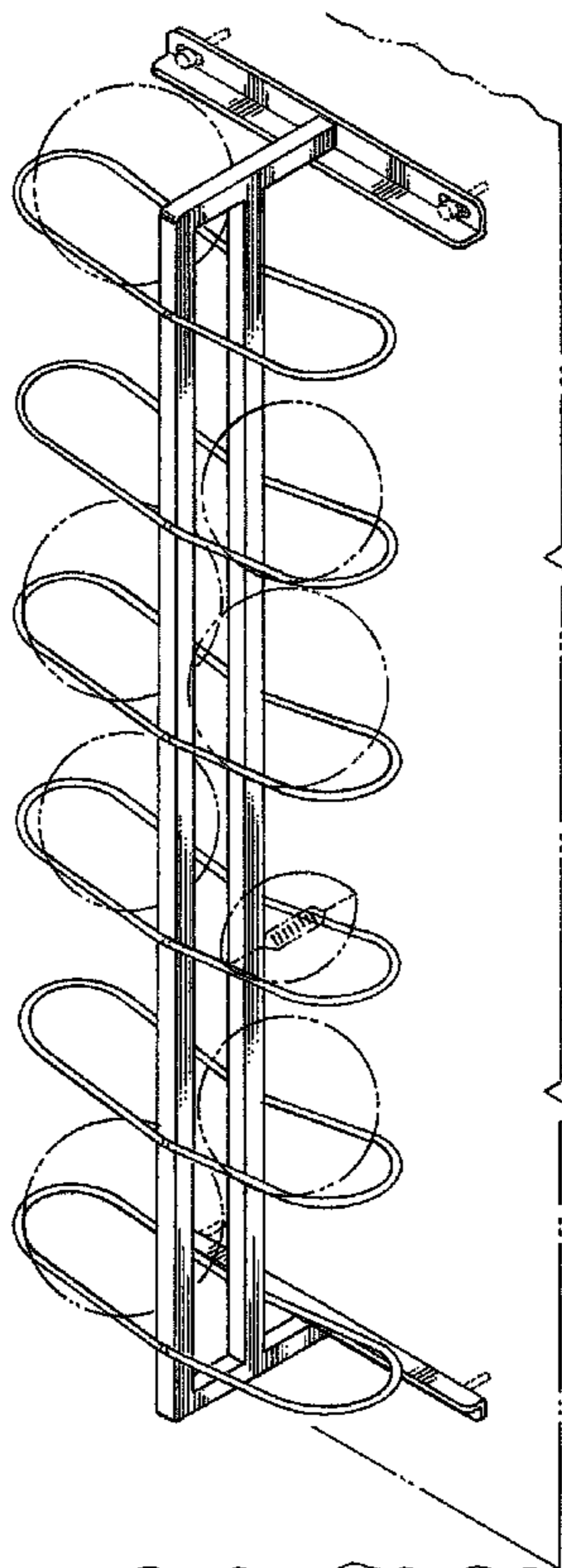


Fig. 1

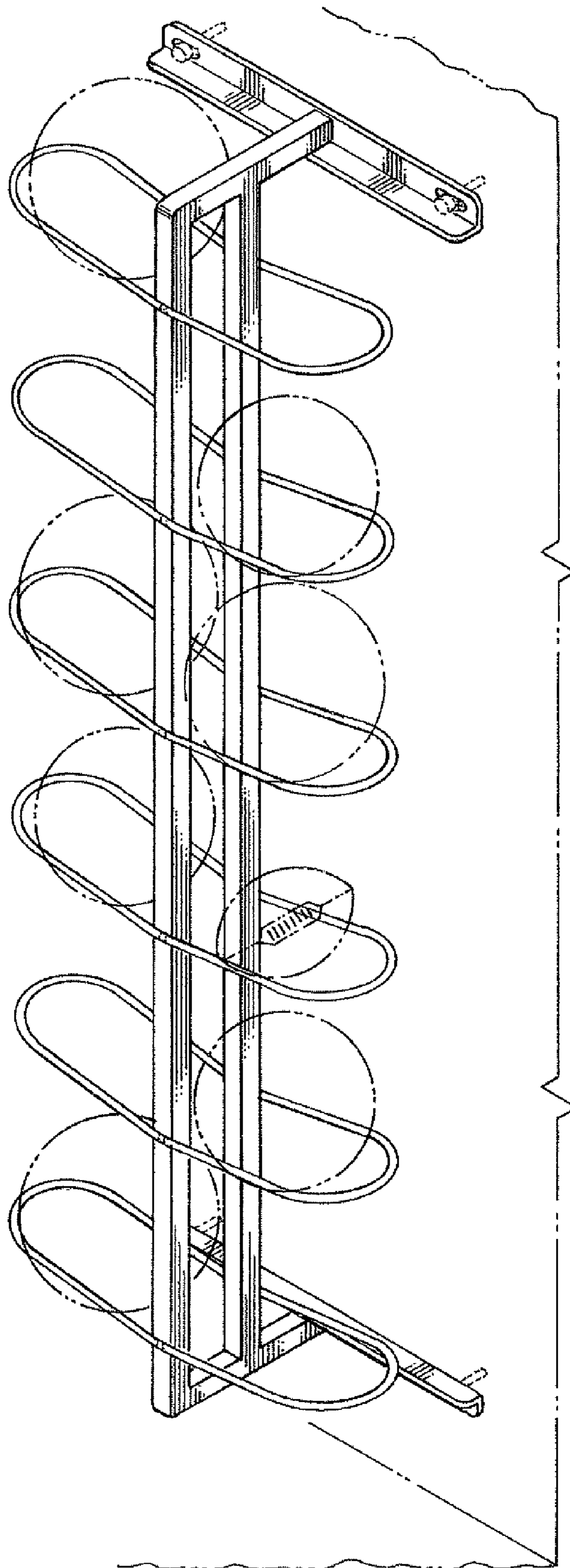
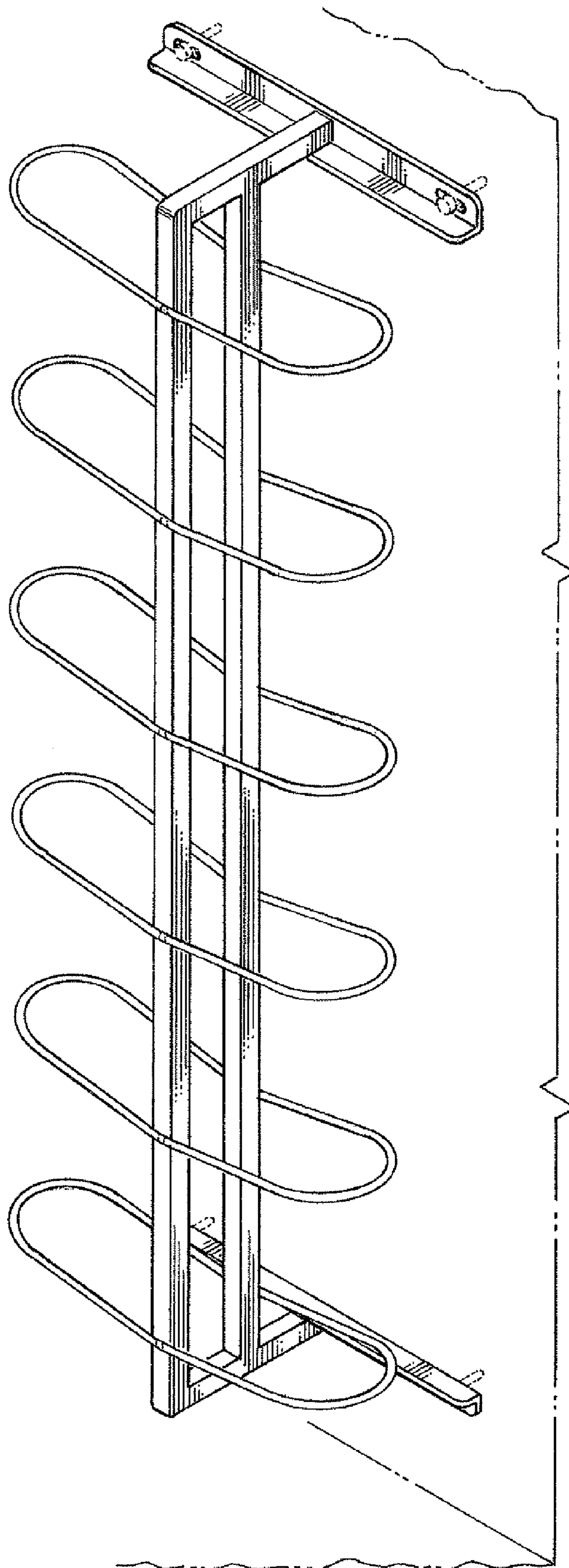


Fig. 2



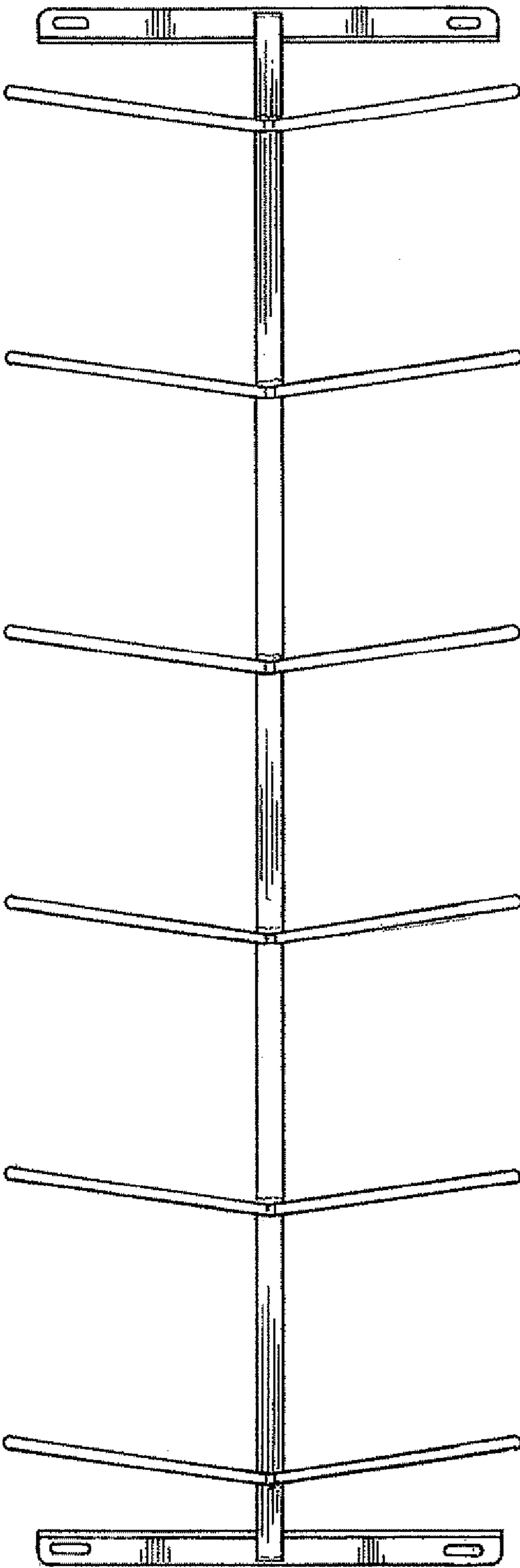


Fig. 3

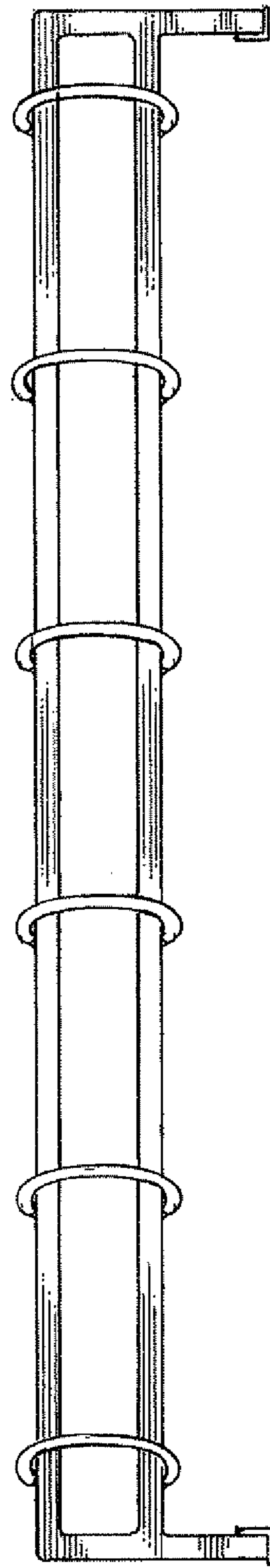


Fig. 4

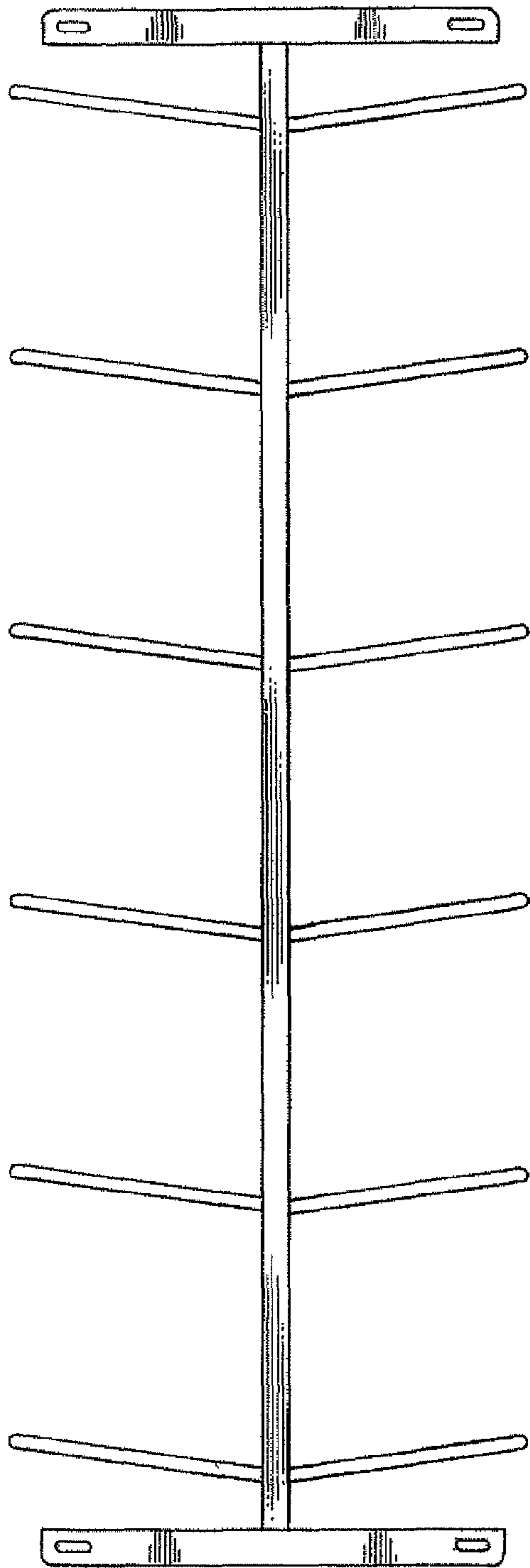


Fig. 5

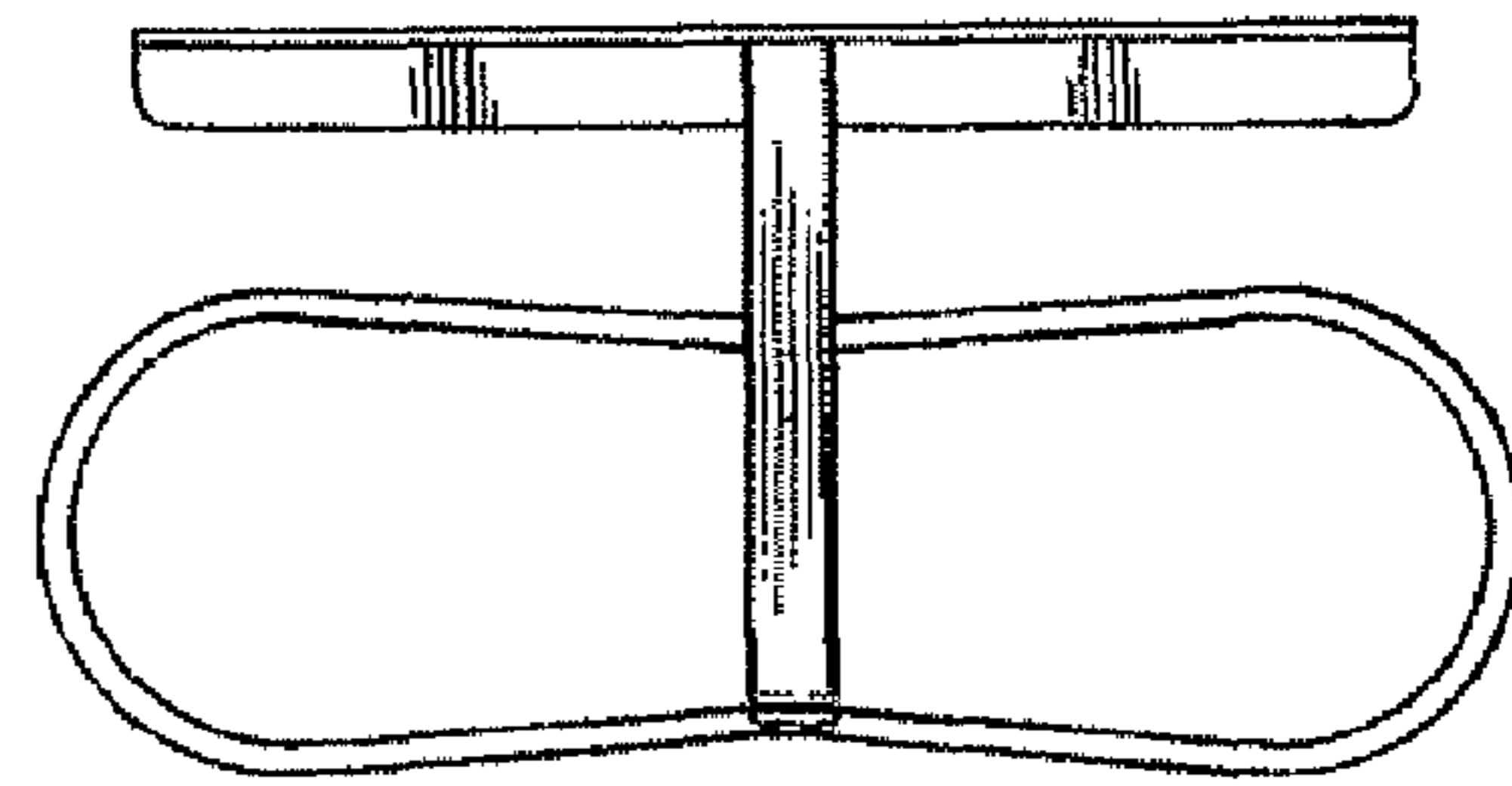


Fig. 6

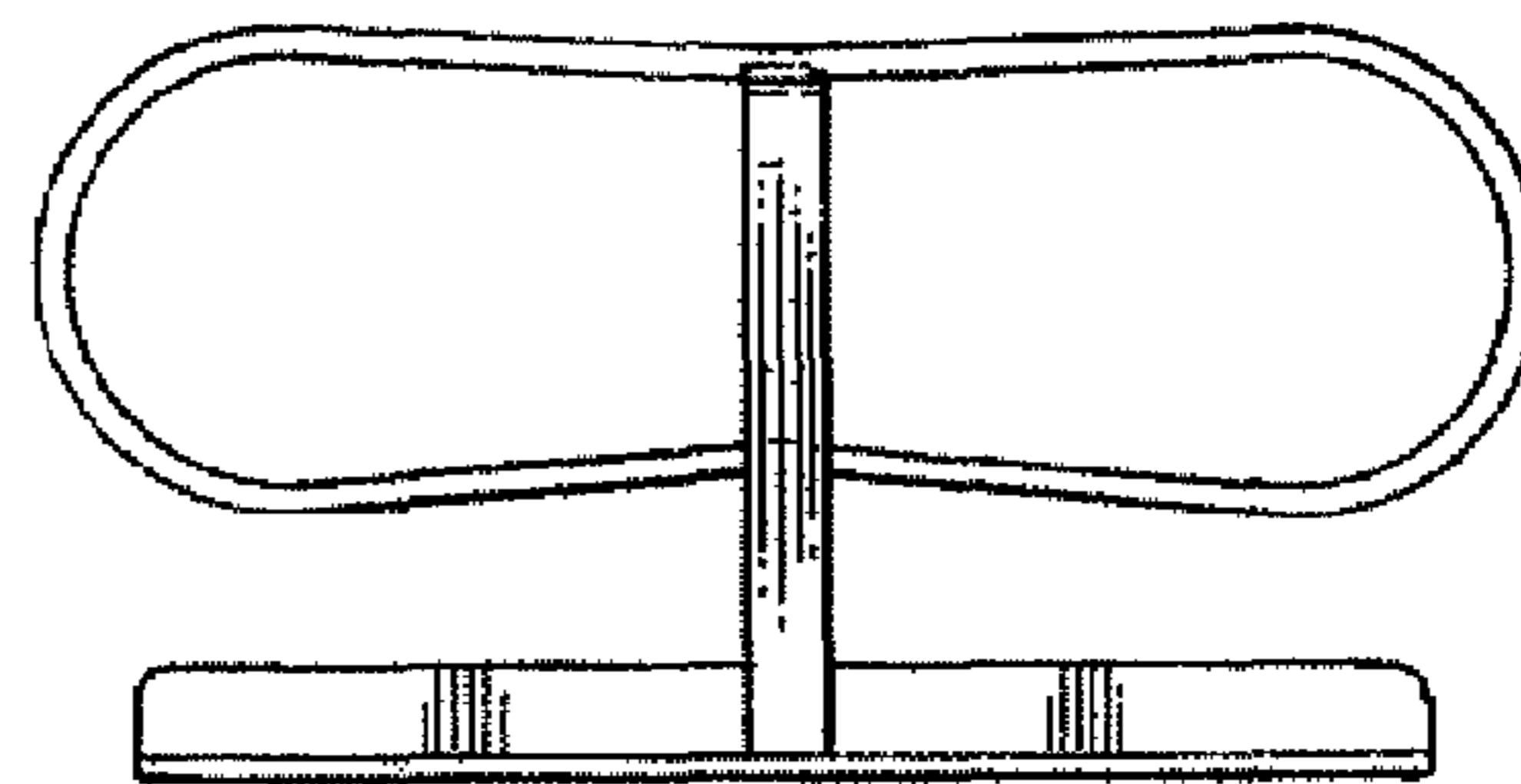


Fig. 7