



US00D577234S

(12) **United States Design Patent**  
**Webber et al.**

(10) **Patent No.:** **US D577,234 S**  
(45) **Date of Patent:** **\*\* Sep. 23, 2008**

(54) **ARCHED SUPPORT TIER FOR A DUMBBELL RACK**

(75) Inventors: **Randall T. Webber**, La Jolla, CA (US);  
**Christopher E. Brennan**, Murrieta, CA (US)

(73) Assignee: **Hoist Fitness Systems, Inc.**, San Diego, CA (US)

(\*\*) Term: **14 Years**

(21) Appl. No.: **29/304,111**

(22) Filed: **Feb. 25, 2008**

(51) **LOC (8) Cl.** ..... **08-08**

(52) **U.S. Cl.** ..... **D6/552**

(58) **Field of Classification Search** ..... D6/552;  
D21/662, 686, 691; 482/104, 148; 248/339;  
211/13.2, 85

See application file for complete search history.

(56) **References Cited**

**U.S. PATENT DOCUMENTS**

D468,946 S *	1/2003	Harms et al.	.....	D6/552
D506,516 S *	6/2005	Yang	.....	D6/552
D536,562 S *	2/2007	Widerman et al.	.....	D6/552
D555,961 S *	11/2007	Lien et al.	.....	D6/552
D563,135 S *	3/2008	Lien	.....	D6/552
D565,673 S *	4/2008	Lien et al.	.....	D6/552

**OTHER PUBLICATIONS**

105 Double Tiered Dumbbell Rack, Iron Co. Brochure, 1986.

Beauty Bell Rack, Product No. 5375 and Twin Tier Dumbbell Rack, Product No. 5380, Cybex Brochure, 1996.

Beauty Belle and Dumbbell Racks, Hoist Fitness Systems Catalog, 2005.

Hoist HF4461-60 Horizontal Dumbbell Rack, Hoist Owners Manual, 2005.

02027 Two Tier Horizontal Rack, Gym80 Brochure, 2001.

Matrix 10 Pair Dumbbell Rack - MX-FW91, 2005.

Tuff Stuff One and Two Tier Dumbbell Racks, CT-650, CT-652H, CT-651 and CT-652, Tuff Stuff Brochure, Date Unknown.

\* cited by examiner

*Primary Examiner*—Brian N Vinson

(74) *Attorney, Agent, or Firm*—Procopio, Cory, Hargreaves & Savitch LLP

(57) **CLAIM**

The ornamental design for a arched support tier for a dumbbell rack, as shown and described.

**DESCRIPTION**

FIG. 1 is a front perspective view of an arched support tier for a dumbbell rack, showing our new design;

FIG. 2 is a front elevation view thereof;

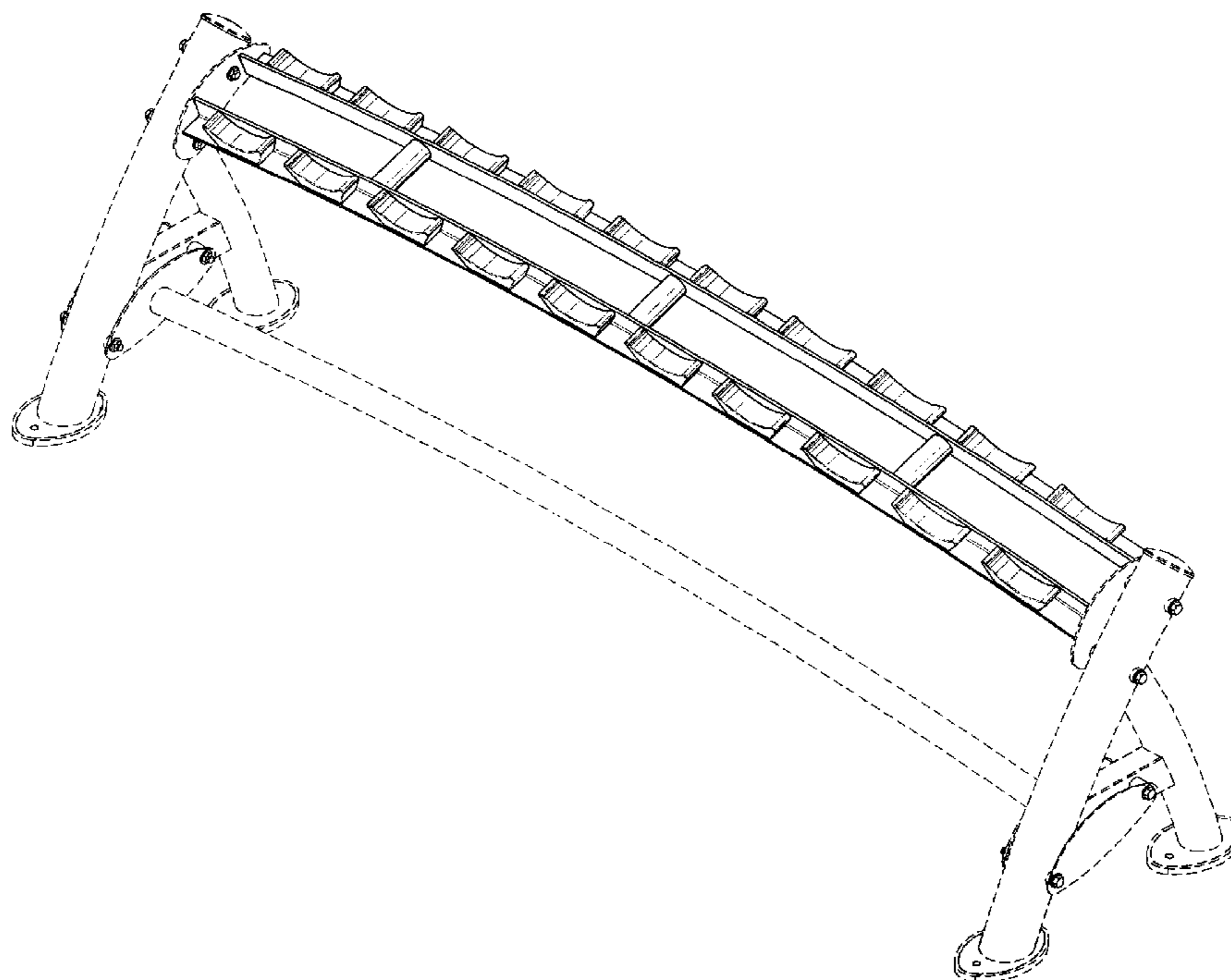
FIG. 3 is a right side elevation view thereof, the left side elevation view being a mirror image thereof;

FIG. 4 is a rear elevation view thereof; and,

FIG. 5 is a top plan view thereof.

The broken line showing of a support frame for the arched support tier for a dumbbell rack in FIGS. 1 to 5 is for illustrative purposes only and forms no part of the claimed design.

**1 Claim, 5 Drawing Sheets**



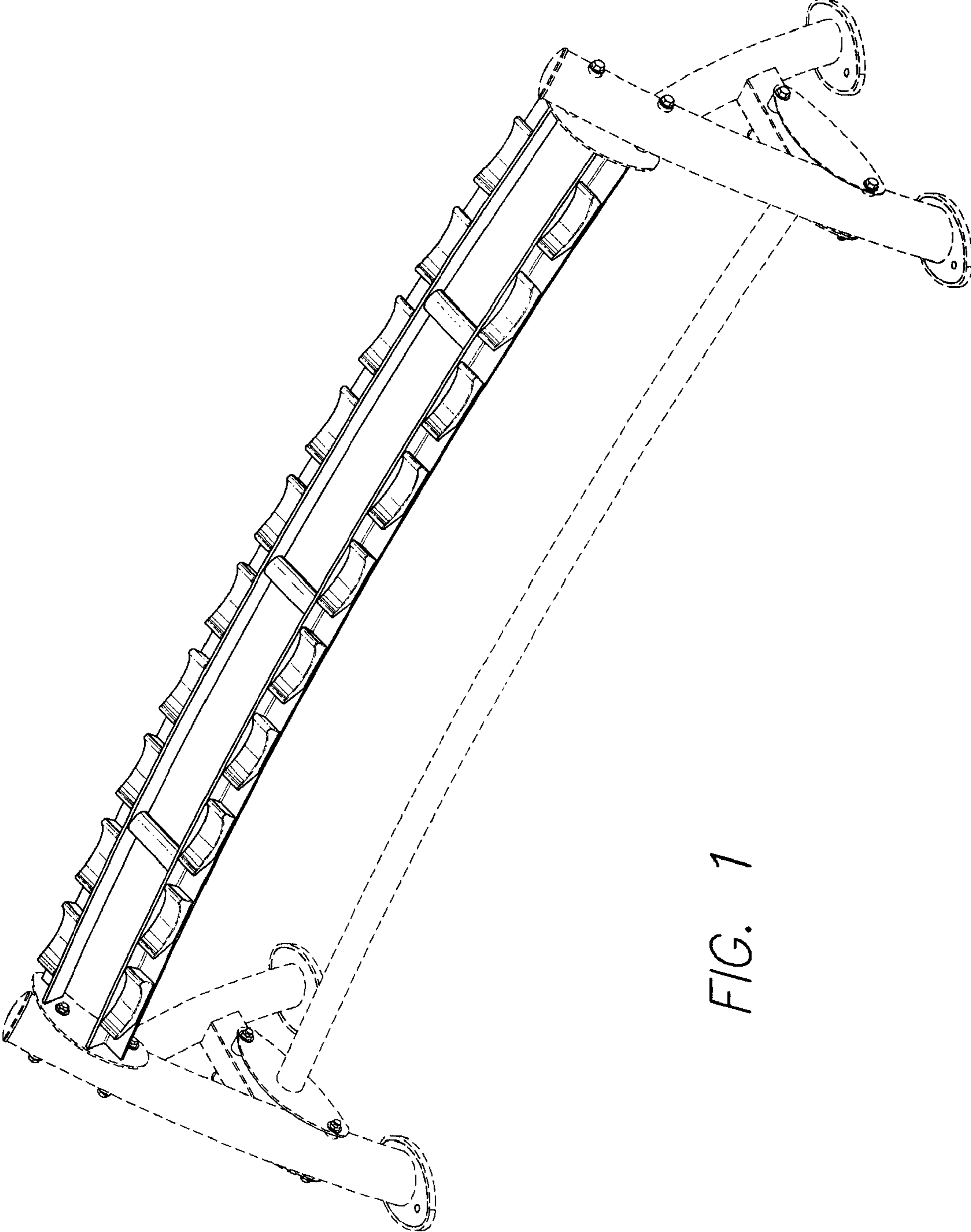


FIG. 1

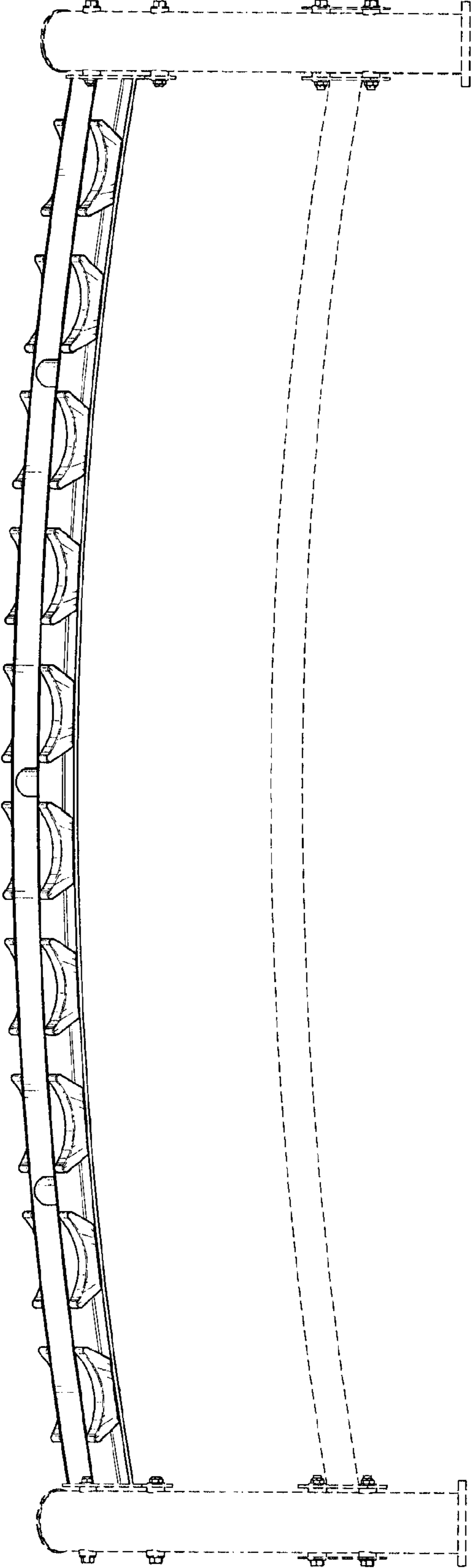


FIG. 2

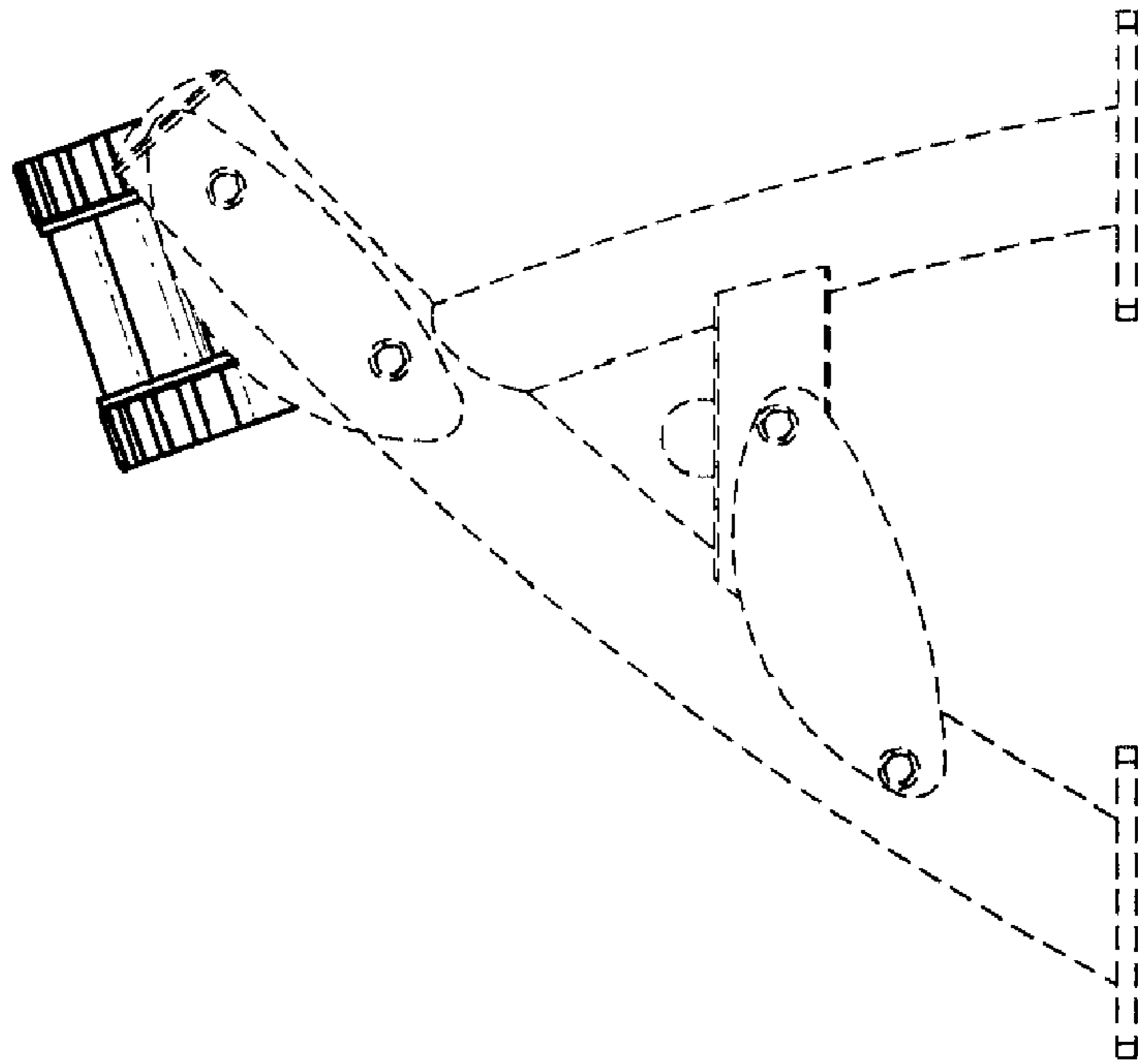


FIG. 3

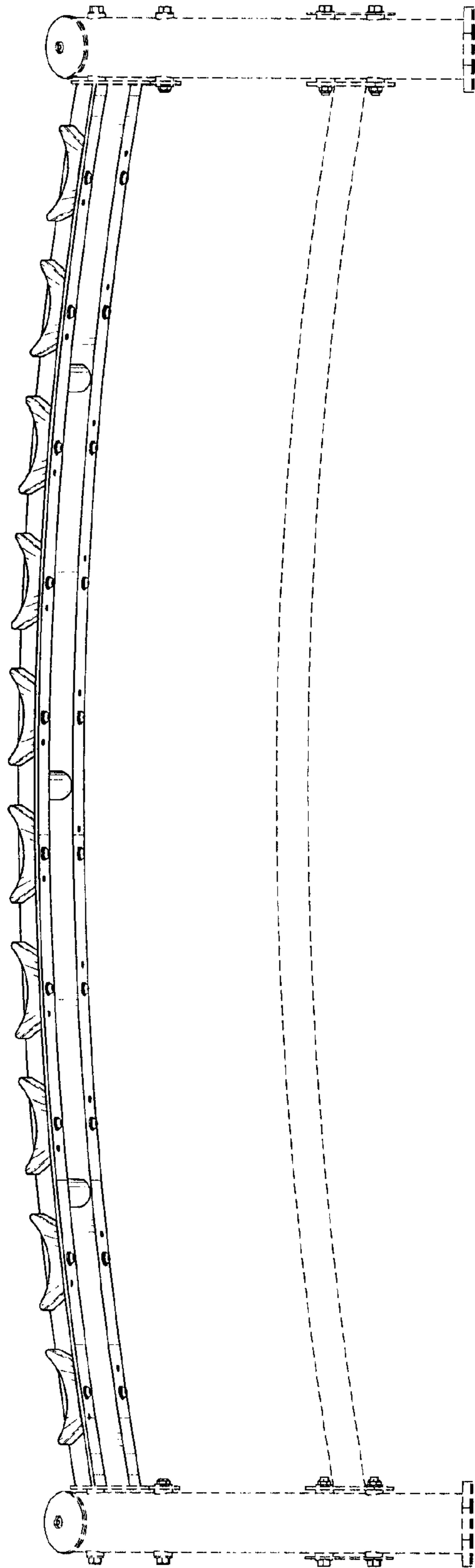


FIG. 4

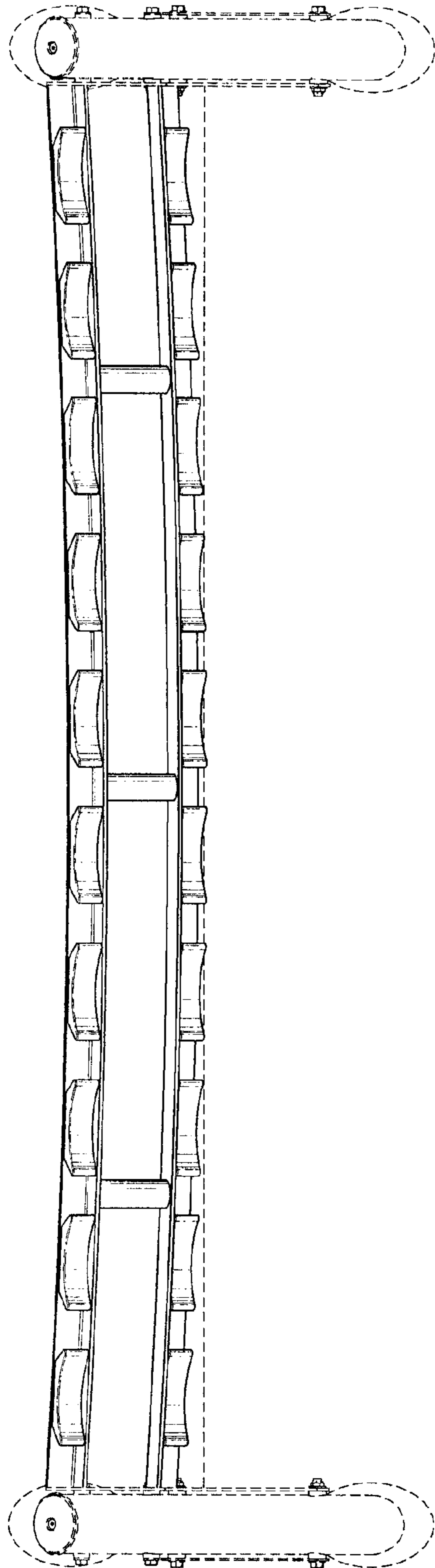


FIG. 5