



US00D577232S

(12) **United States Design Patent**  
**Greiner**

(10) **Patent No.:** **US D577,232 S**

(45) **Date of Patent:** **\*\* Sep. 23, 2008**

(54) **VANITY ORGANIZER**

(75) Inventor: **Lori Greiner**, Chicago, IL (US)

(73) Assignee: **For Your Ease Only, Inc.**, Chicago, IL (US)

(\*\*) Term: **14 Years**

(21) Appl. No.: **29/297,612**

(22) Filed: **Nov. 14, 2007**

(51) **LOC (8) Cl.** ..... **06-04**

(52) **U.S. Cl.** ..... **D6/511; D6/440; D6/444**

(58) **Field of Classification Search** ..... D6/429, D6/430, 432-448, 480, 509-511; 312/114, 312/204, 224, 227, 228, 237, 257.1, 293.1, 312/293.2; 108/151, 153.1, 155, 156, 157.1, 108/161; 248/188, 188.1, 188.8; D3/284, D3/294, 295, 296, 304, 319, 903

See application file for complete search history.

(56) **References Cited**

**U.S. PATENT DOCUMENTS**

356,401	A *	1/1887	Dils	.....	312/228
614,722	A *	11/1898	Isaacs	.....	312/227
658,983	A *	10/1900	Francis	.....	312/237
1,208,924	A *	12/1916	Deming	.....	108/156
1,233,629	A *	7/1917	Furer	.....	312/204
1,451,207	A *	4/1923	Draper	.....	312/227
4,192,329	A	3/1980	Swearingen		
D302,217	S	7/1989	Keller		
D303,593	S	9/1989	Keller et al.		
D303,594	S	9/1989	Keller et al.		
D308,308	S	6/1990	Keller		
D308,921	S	7/1990	Keller		
D309,388	S	7/1990	Yau Kee		
D309,536	S	7/1990	Mo Yau Kee		
D311,832	S	11/1990	Keller		
D316,341	S	4/1991	Kee		
D319,547	S	9/1991	Kee		
D327,787	S	7/1992	Yau Kee		

D342,121	S *	12/1993	Lim	.....	D6/429
D363,395	S *	10/1995	Mohundro	.....	D6/440
D382,730	S *	8/1997	Hsu et al.	.....	D6/440
5,727,701	A	3/1998	Rhoades		
D416,711	S *	11/1999	Chou	.....	D6/444
D416,712	S *	11/1999	Chou	.....	D6/444
6,003,963	A *	12/1999	Greider	.....	312/204
D443,042	S	5/2001	Ungaro		
D453,209	S	1/2002	Pila		
D453,818	S	2/2002	Pila		
6,502,254	B1	1/2003	De Menna		

(Continued)

**OTHER PUBLICATIONS**

U.S. Appl. No. 29/263,540, filed Jul. 25, 2006, Title "Swivel Organizer", Inventor Lori Greiner.

(Continued)

*Primary Examiner*—Mimosa De  
(74) *Attorney, Agent, or Firm*—Fredrikson & Byron, P.A.

(57) **CLAIM**

I claim the ornamental design for a vanity organizer, as shown and described.

**DESCRIPTION**

FIG. 1 is a perspective view of my new design for a vanity organizer;

FIG. 2 is a front elevation view thereof;

FIG. 3 is a rear elevation view thereof;

FIG. 4 is a right side elevation view;

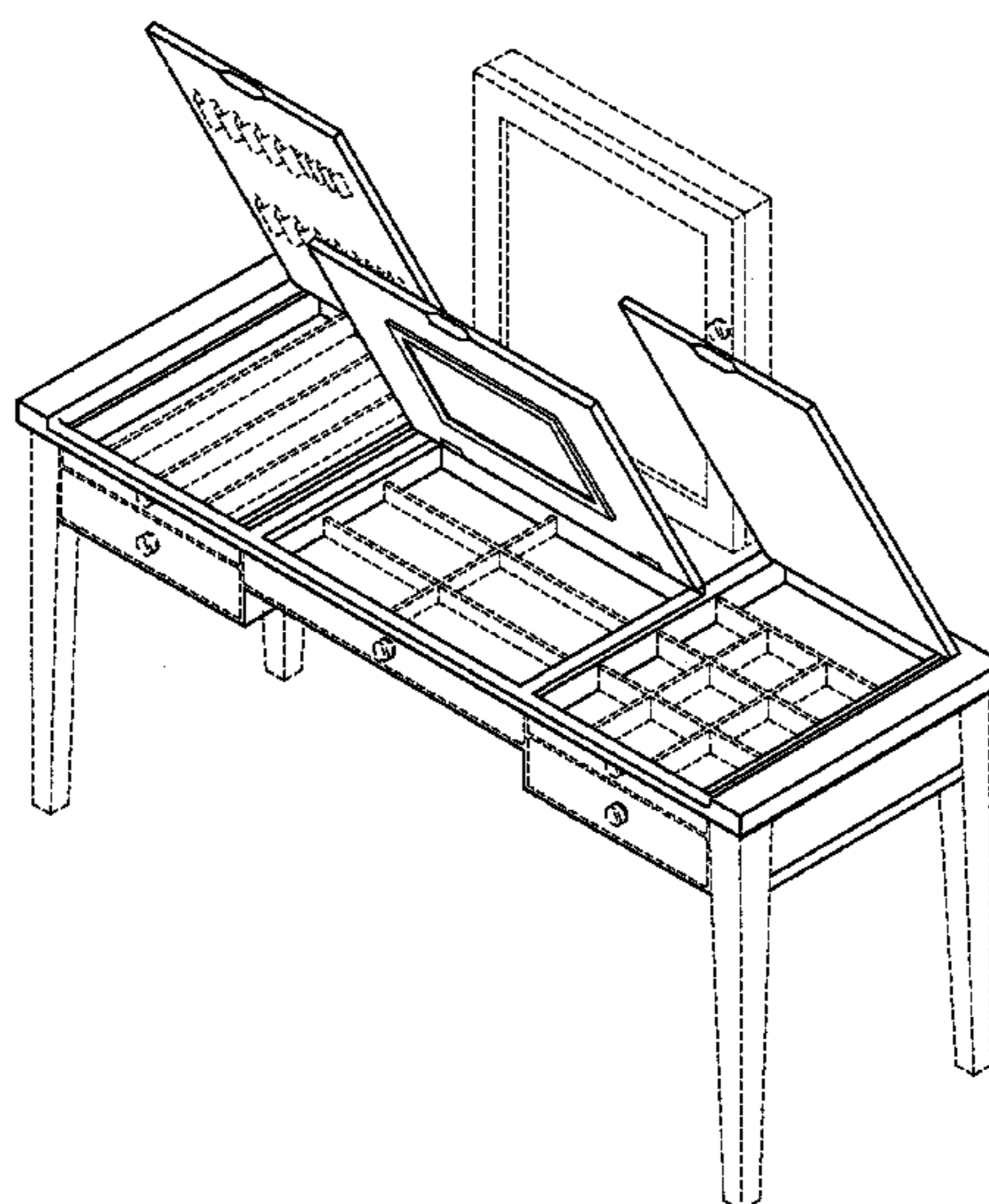
FIG. 5 is a left side elevation view thereof;

FIG. 6 is a top plan view thereof; and,

FIG. 7 is a bottom plan view thereof.

The broken lines shown in the drawing are for illustrative purposes only and form no part of the claimed design.

**1 Claim, 5 Drawing Sheets**



U.S. PATENT DOCUMENTS

D498,082	S	11/2004	Katz et al.	
D557,517	S	12/2007	Greiner	
D557,518	S	12/2007	Greiner	
D557,930	S	12/2007	Greiner	
D557,939	S	12/2007	Greiner	
D558,482	S	1/2008	Greiner	
2005/0099101	A1	5/2005	Lowe	
2005/0285485	A1*	12/2005	Heseman	..... 312/204
2006/0124818	A1	6/2006	Wai	
2007/0145868	A1	6/2007	Greiner	

OTHER PUBLICATIONS

U.S. Appl. No. 29/277,341, filed Feb. 22, 2007, Title "Swivel Organizer", Inventor Lori Greiner.  
 U.S. Appl. No. 29/281,878, filed Jul. 5, 2007, Title "Swivel Organizer", Inventor Lori Greiner.  
 U.S. Appl. No. 29/281,880, filed Jul. 5, 2007, Title "Swivel Organizer", Inventor Lori Greiner.  
 U.S. Appl. No. 29/295,087, filed Sep. 21, 2007, Title "Swivel Organizer", Inventor Lori Greiner.  
 U.S. Appl. No. 29/295,095, filed Sep. 21, 2007, Title "Swivel Organizer", Inventor Lori Greiner.  
 U.S. Appl. No. 29/295,097, filed Sep. 21, 2007, Title "Swivel Organizer", Inventor Lori Greiner.  
 U.S. Appl. No. 29/295,098, filed Sep. 21, 2007, Title "Swivel Organizer", Inventor Lori Greiner.  
 U.S. Appl. No. 29/297,618, filed Nov. 14, 2007, Title "Vanity Organizer", Inventor Lori Greiner.  
 U.S. Appl. No. 29/295,101, filed Sep. 21, 2007, Title "Swivel Organizer", Inventor Lori Greiner.  
 U.S. Appl. No. 29/295,104, filed Sep. 21, 2007, Title "Swivel Organizer", Inventor Lori Greiner.  
 U.S. Appl. No. 29/295,106, filed Sep. 21, 2007, Title "Swivel Organizer", Inventor Lori Greiner.

U.S. Appl. No. 29/295,110, filed Sep. 21, 2007, Title "Swivel Organizer", Inventor Lori Greiner.  
 U.S. Appl. No. 29/295,113, filed Sep. 21, 2007, Title "Swivel Organizer", Inventor Lori Greiner.  
 U.S. Appl. No. 29/295,115, filed Sep. 21, 2007, Title "Swivel Organizer", Inventor Lori Greiner.  
 U.S. Appl. No. 29/295,118, filed Sep. 21, 2007, Title "Swivel Organizer", Inventor Lori Greiner.  
 U.S. Appl. No. 29/295,119, filed Sep. 21, 2007, Title "Swivel Organizer", Inventor Lori Greiner.  
 U.S. Appl. No. 29/295,121, filed Sep. 21, 2007, Title "Swivel Organizer", Inventor Lori Greiner.  
 U.S. Appl. No. 29/295,123, filed Sep. 21, 2007, Title "Swivel Organizer", Inventor Lori Greiner.  
 U.S. Appl. No. 29/295,124, filed Sep. 21, 2007, Title "Swivel Organizer", Inventor Lori Greiner.  
 U.S. Appl. No. 29/295,128, filed Sep. 21, 2007, Title "Swivel Organizer", Inventor Lori Greiner.  
 U.S. Appl. No. 29/295,134, filed Sep. 21, 2007, Title "Swivel Organizer", Inventor Lori Greiner.  
 U.S. Appl. No. 29/295,136, filed Sep. 21, 2007, Title "Swivel Organizer", Inventor Lori Greiner.  
 U.S. Appl. No. 29/295,139, filed Sep. 21, 2007, Title "Swivel Organizer", Inventor Lori Greiner.  
 U.S. Appl. No. 29/295,141, filed Sep. 21, 2007, Title "Swivel Organizer", Inventor Lori Greiner.  
 U.S. Appl. No. 11/610,170, filed Dec. 13, 2006, Title "Tri-Fold Mirror Swivel Organizer", Inventor Lori Greiner.  
 U.S. Appl. No. 11/768,979, filed Jun. 27, 2007, Title "Tri-Fold Mirror Organizer", Inventor Lori Greiner.  
 U.S. Appl. No. 29/297,608, filed Nov. 14, 2007, Title "Vanity Organizer", Inventor Lori Greiner.  
 U.S. Appl. No. 11/940,010, filed Nov. 14, 2007, Title "Vanity Organizer Table", Inventor Lori Greiner.  
 U.S. Appl. No. 29/297,615, filed Nov. 14, 2007, Title "Vanity Organizer", Inventor Lori Greiner.

\* cited by examiner

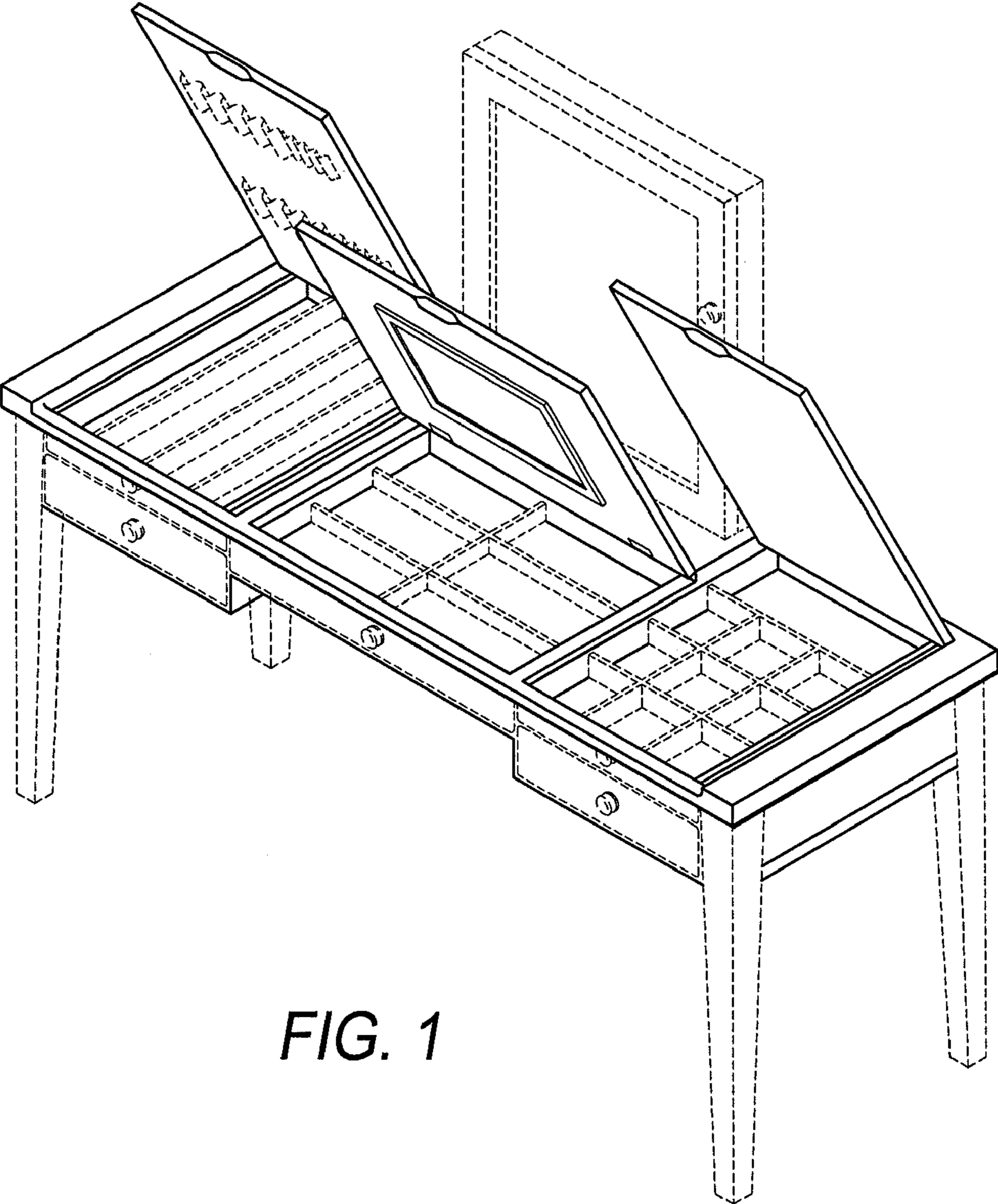


FIG. 1

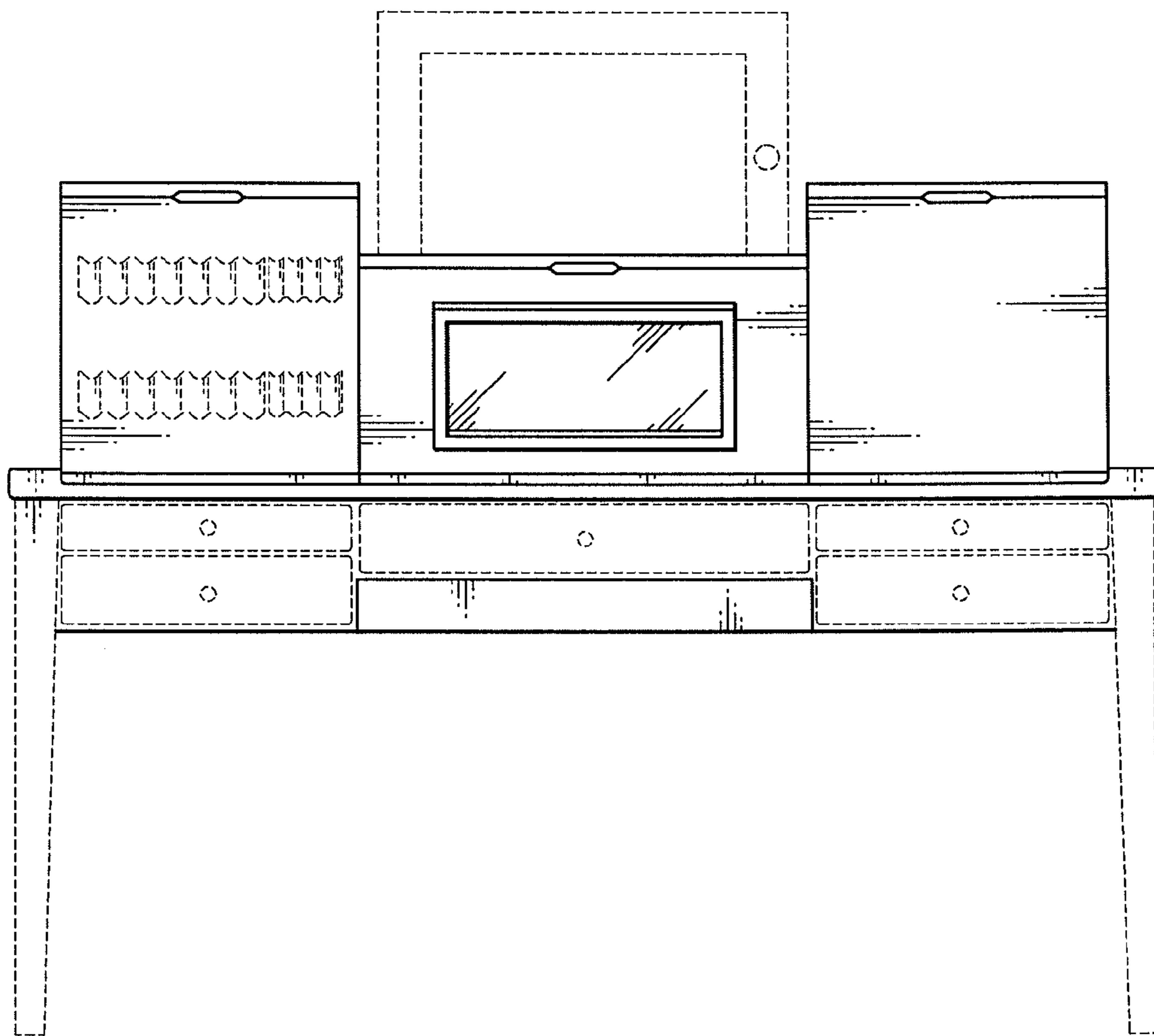


FIG. 2

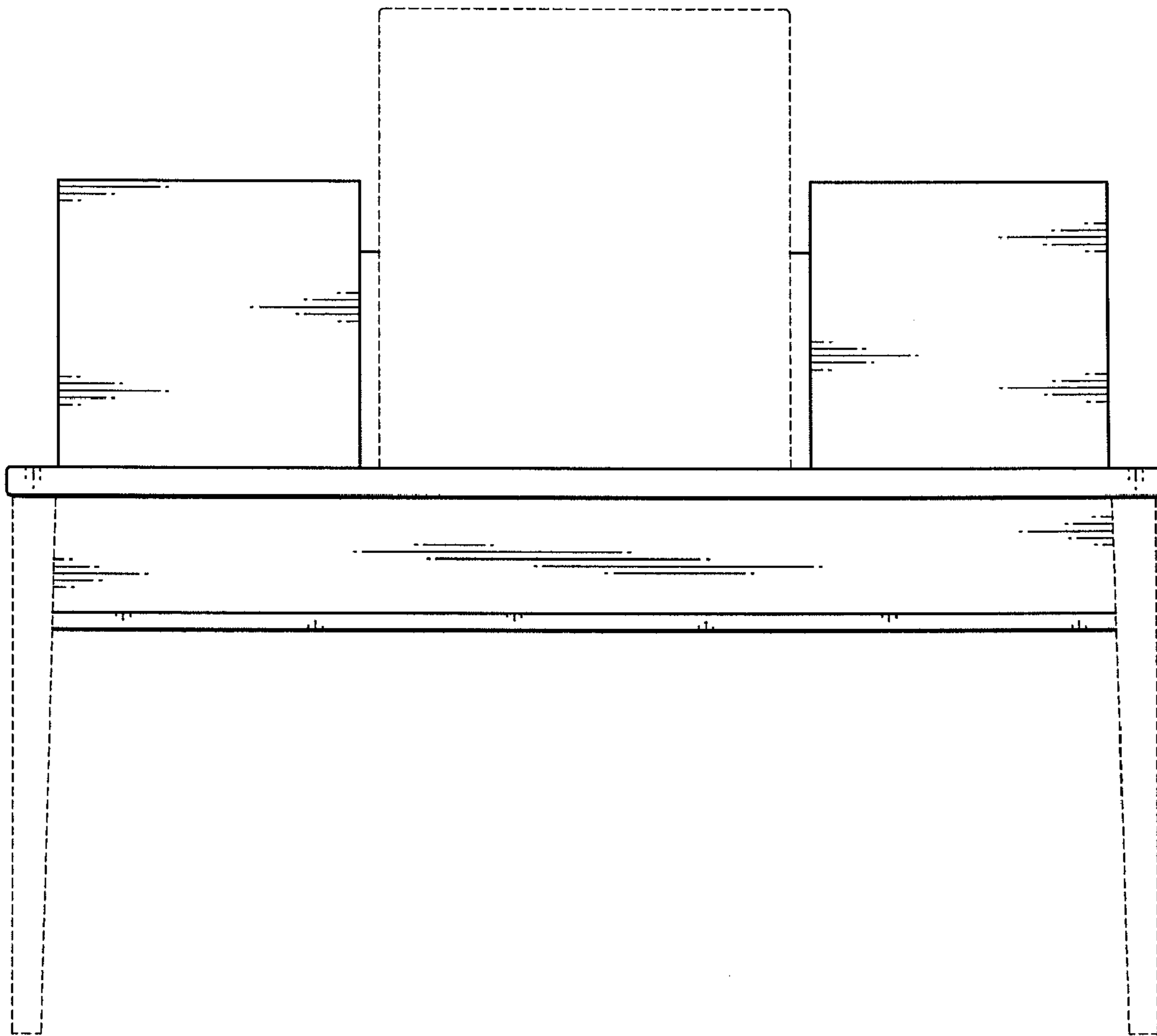


FIG. 3

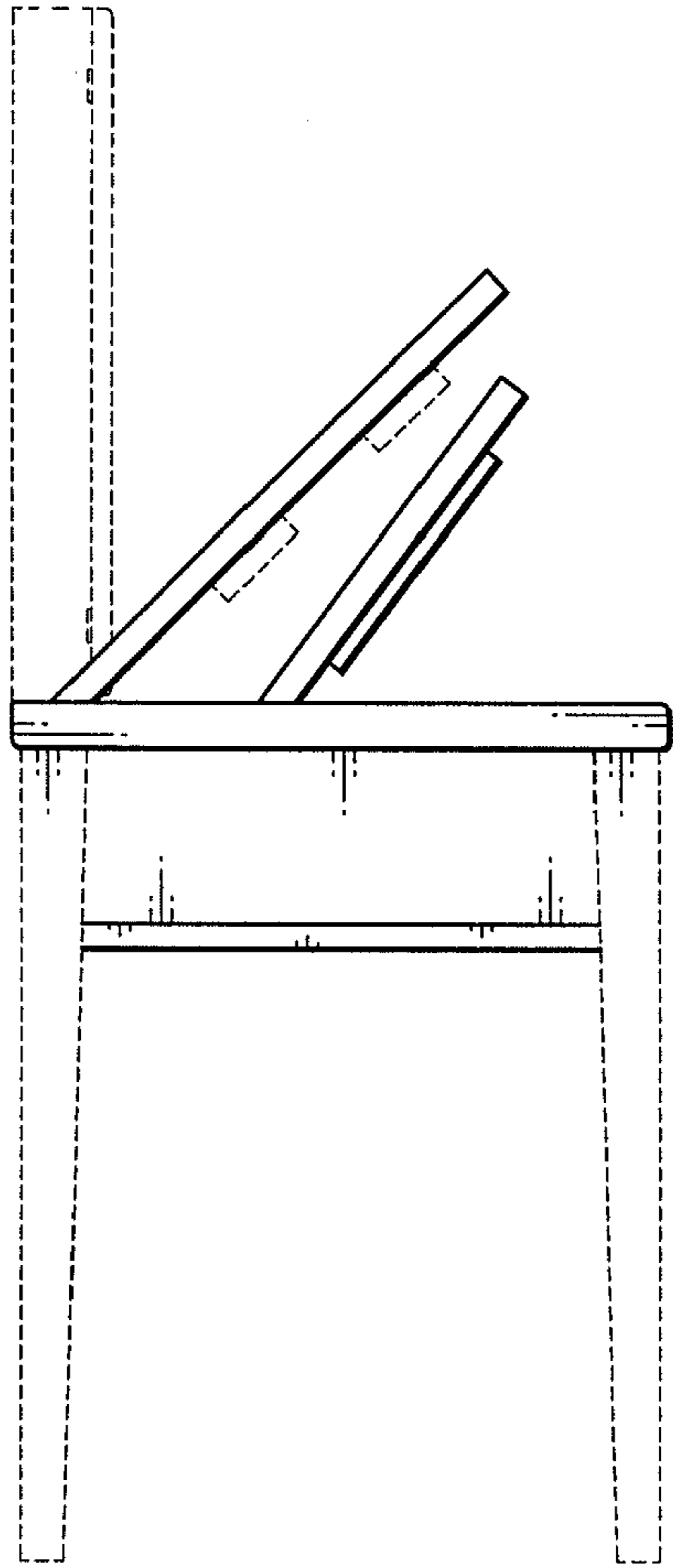


FIG. 4

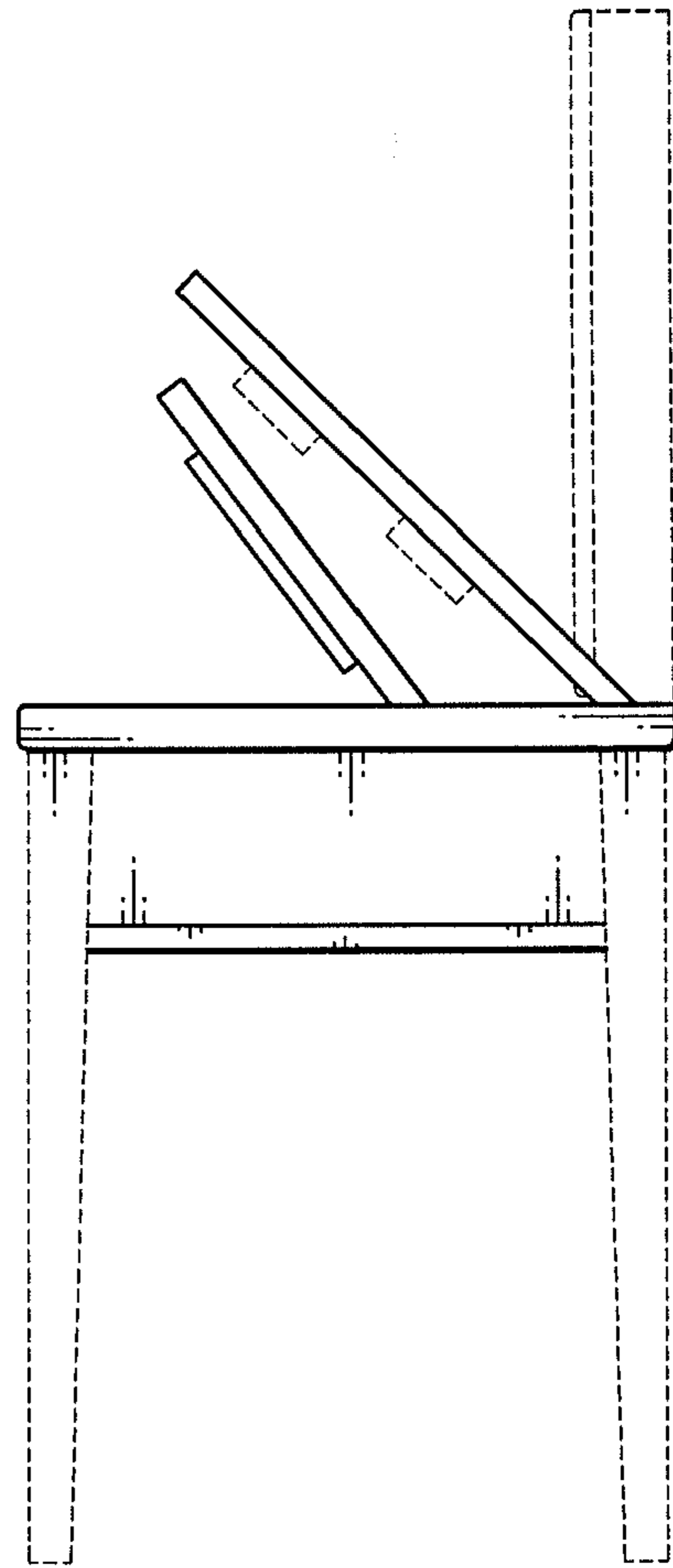
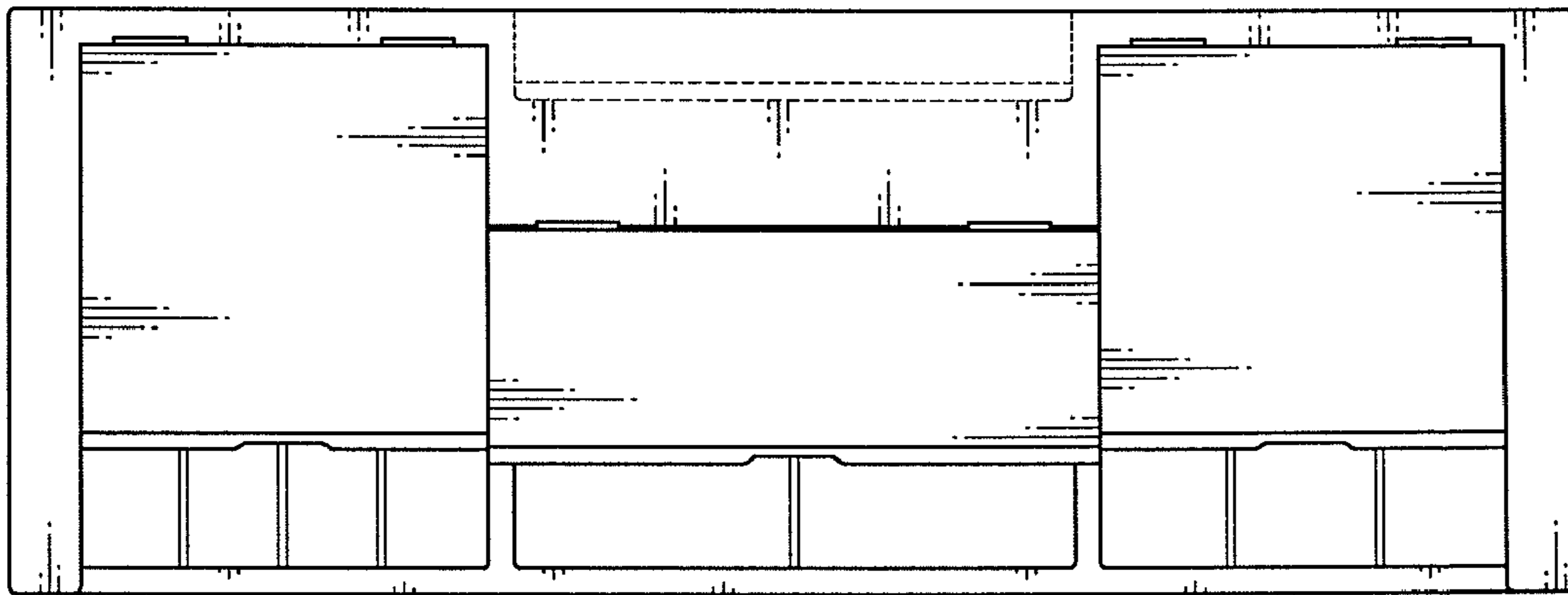
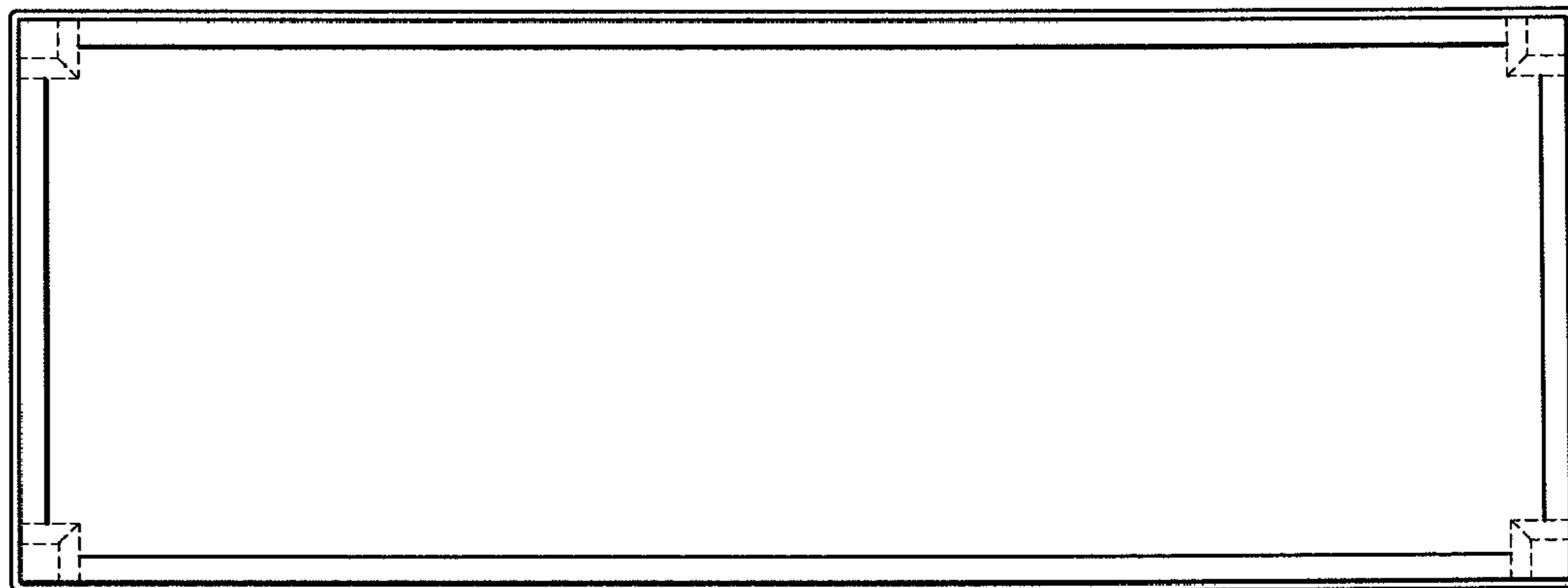


FIG. 5



*FIG. 6*



*FIG. 7*