



US00D577231S

(12) **United States Design Patent**
Kaczmarek

(10) **Patent No.:** **US D577,231 S**
(45) **Date of Patent:** **** Sep. 23, 2008**

(54) **CHAIR BACK**

(75) Inventor: **Piotr Kaczmarek**, Mississauga (CA)

(73) Assignee: **Global Total Office**, Toronto (CA)

(**) Term: **14 Years**

(21) Appl. No.: **29/305,822**

(22) Filed: **Mar. 28, 2008**

Related U.S. Application Data

(62) Division of application No. 29/274,288, filed on Apr. 11, 2007.

(51) **LOC (8) Cl.** **06-01**

(52) **U.S. Cl.** **D6/502**

(58) **Field of Classification Search** D6/502,
D6/334-336, 358, 364-367, 370, 372-375,
D6/379, 500-501; 297/411.2, 411.27, 411.28,
297/411.36, 452.29, 284.4, 452.3

See application file for complete search history.

(56) **References Cited**

U.S. PATENT DOCUMENTS

| | | | | |
|----------------|---------|------------------|-------|-----------|
| D452,396 S * | 12/2001 | Brown | | D6/502 |
| 6,843,530 B1 * | 1/2005 | Wu | | 297/284.4 |
| D506,893 S * | 7/2005 | Hsien | | D6/502 |
| D556,254 S * | 11/2007 | Yamaguchi et al. | | D18/50 |
| D556,481 S * | 12/2007 | Harley | | D6/502 |

* cited by examiner

Primary Examiner—Caron D. Veynar

Assistant Examiner—Katrina A Kile

(74) *Attorney, Agent, or Firm*—Bereskin & Parr

(57) **CLAIM**

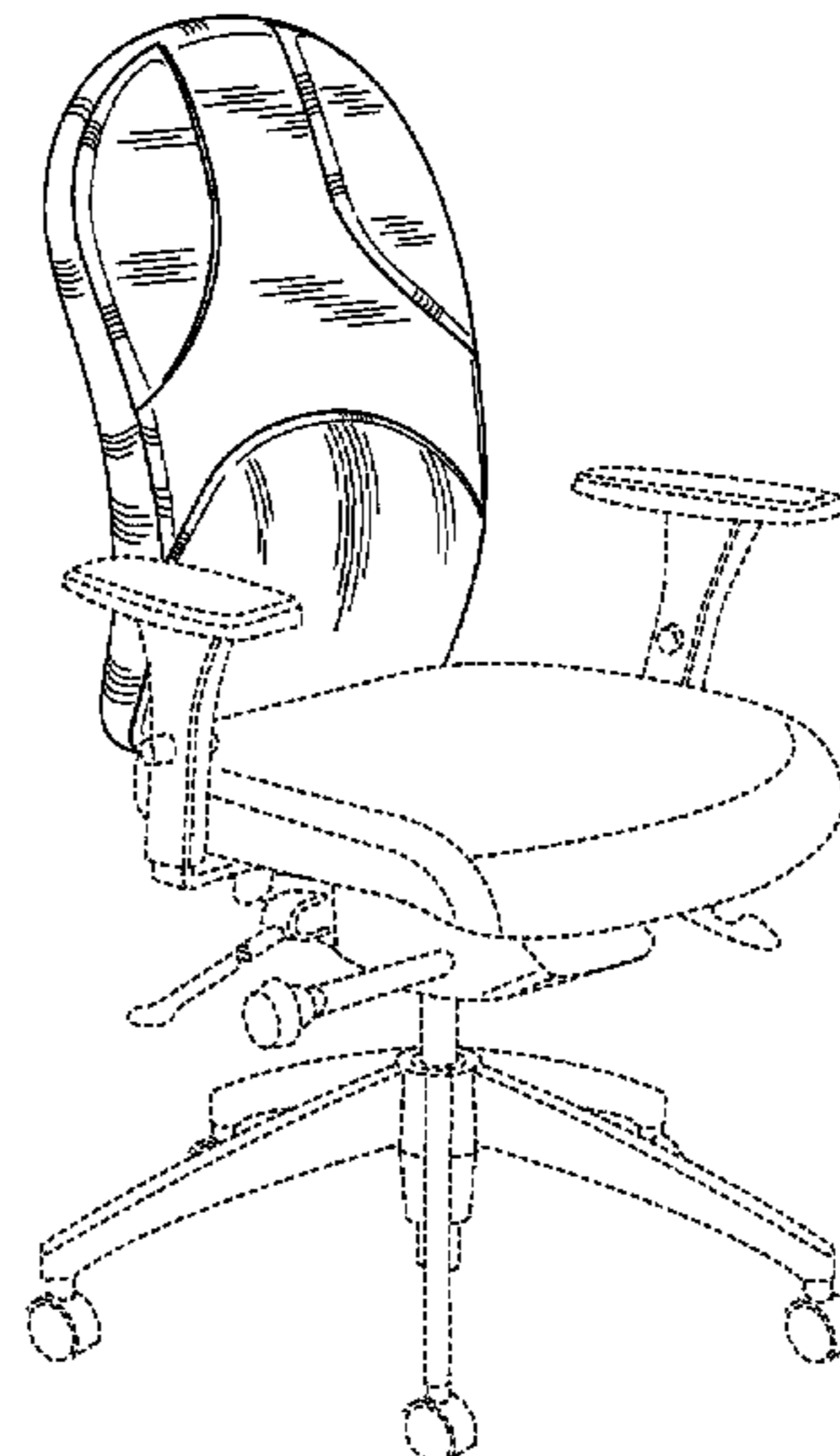
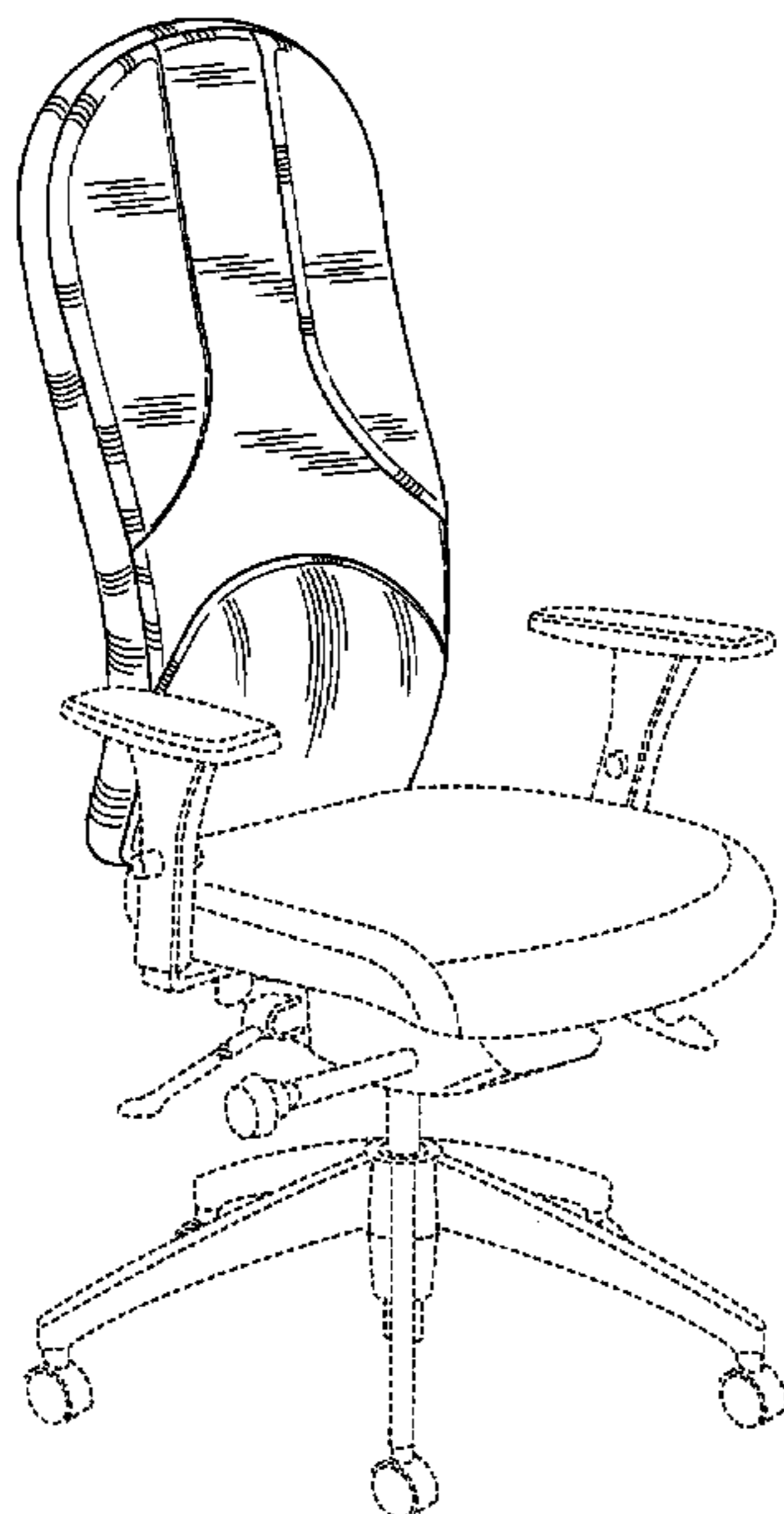
The ornamental design for a chair back, as shown and described.

DESCRIPTION

FIG. 1 is a front perspective view of a chair back;
 FIG. 2 is a rear perspective view of a chair back;
 FIG. 3 is a right side elevation view of a chair back;
 FIG. 4 is a front elevation view of a chair back;
 FIG. 5 is a left side elevation view of a chair back;
 FIG. 6 is a rear elevation view of a chair back;
 FIG. 7 is a top plan view of a chair back;
 FIG. 8 is a bottom plan view of a chair back;
 FIG. 9 is a front perspective view of a second embodiment of a chair back;
 FIG. 10 is a rear perspective view of a second embodiment of a chair back;
 FIG. 11 is a right side elevation view of a second embodiment of a chair back;
 FIG. 12 is a front elevation view of a second embodiment of a chair back;
 FIG. 13 is a left side elevation view of a second embodiment of a chair back;
 FIG. 14 is a rear elevation view of a second embodiment of a chair back;
 FIG. 15 is a top plan view of a second embodiment of a chair back; and,
 FIG. 16 is a bottom plan view of a second embodiment of a chair back.

In the drawings, the broken lines depict environmental subject matter only and form no part of the claimed design.

1 Claim, 10 Drawing Sheets



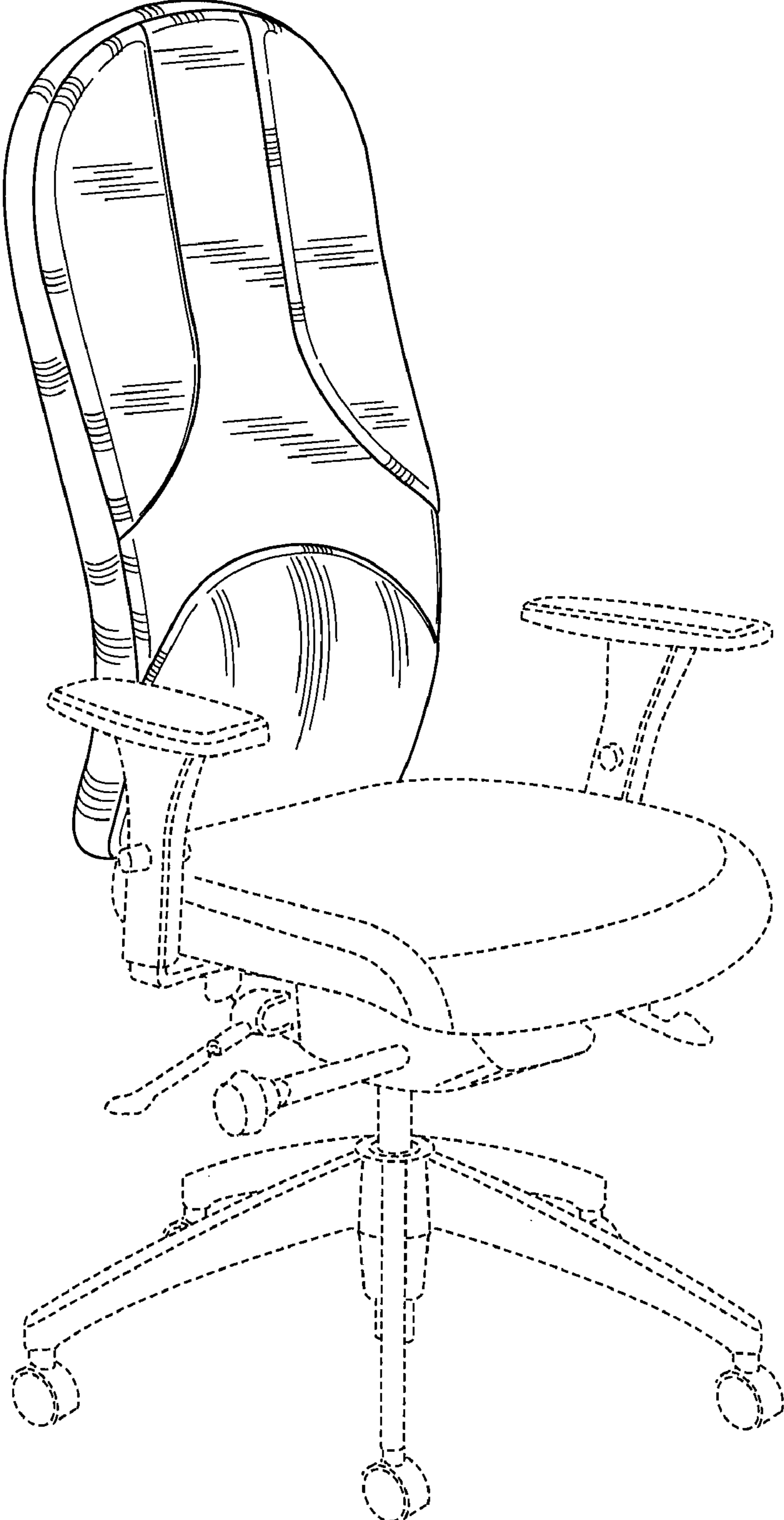


FIG. 1

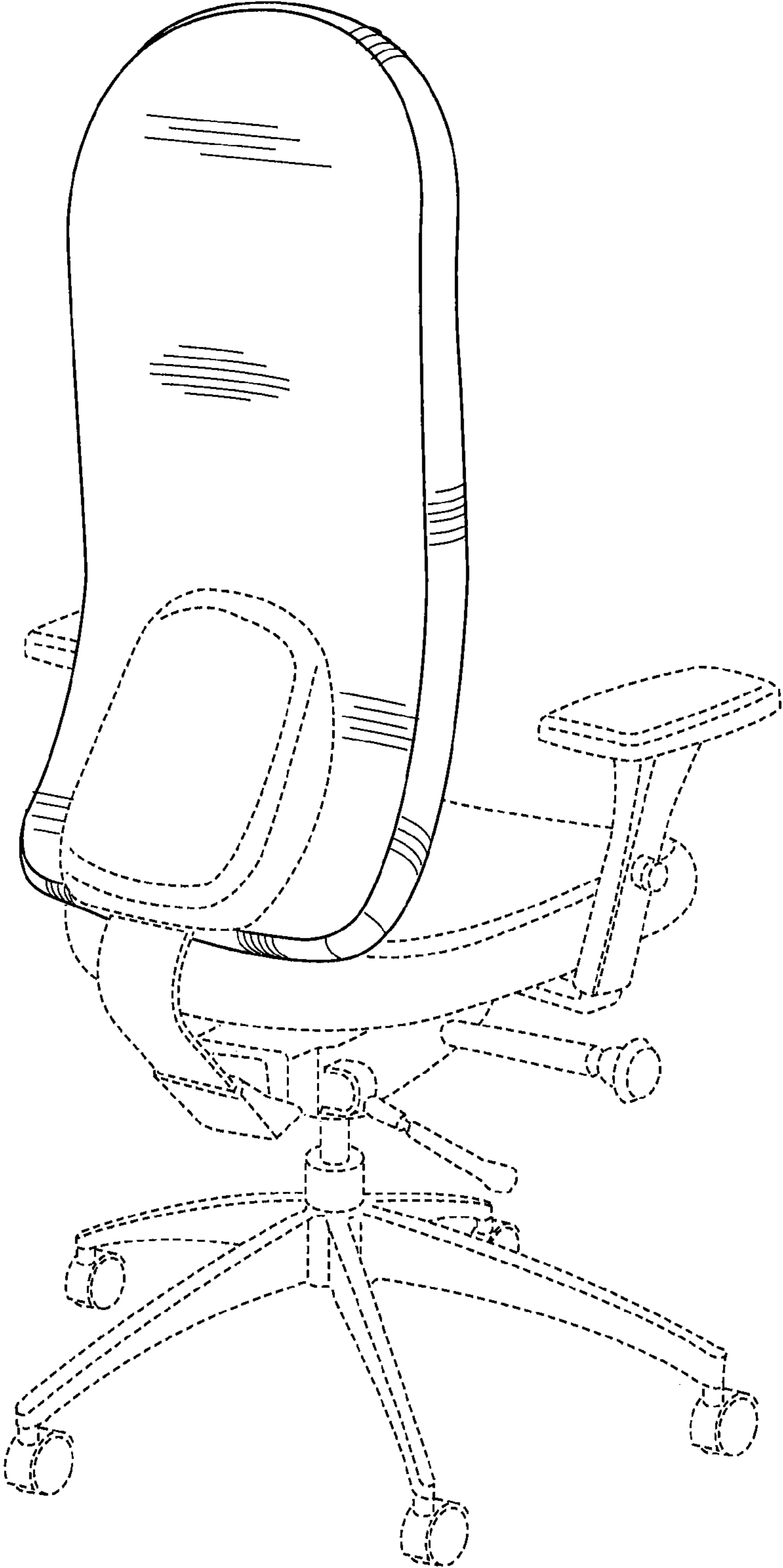


FIG. 2

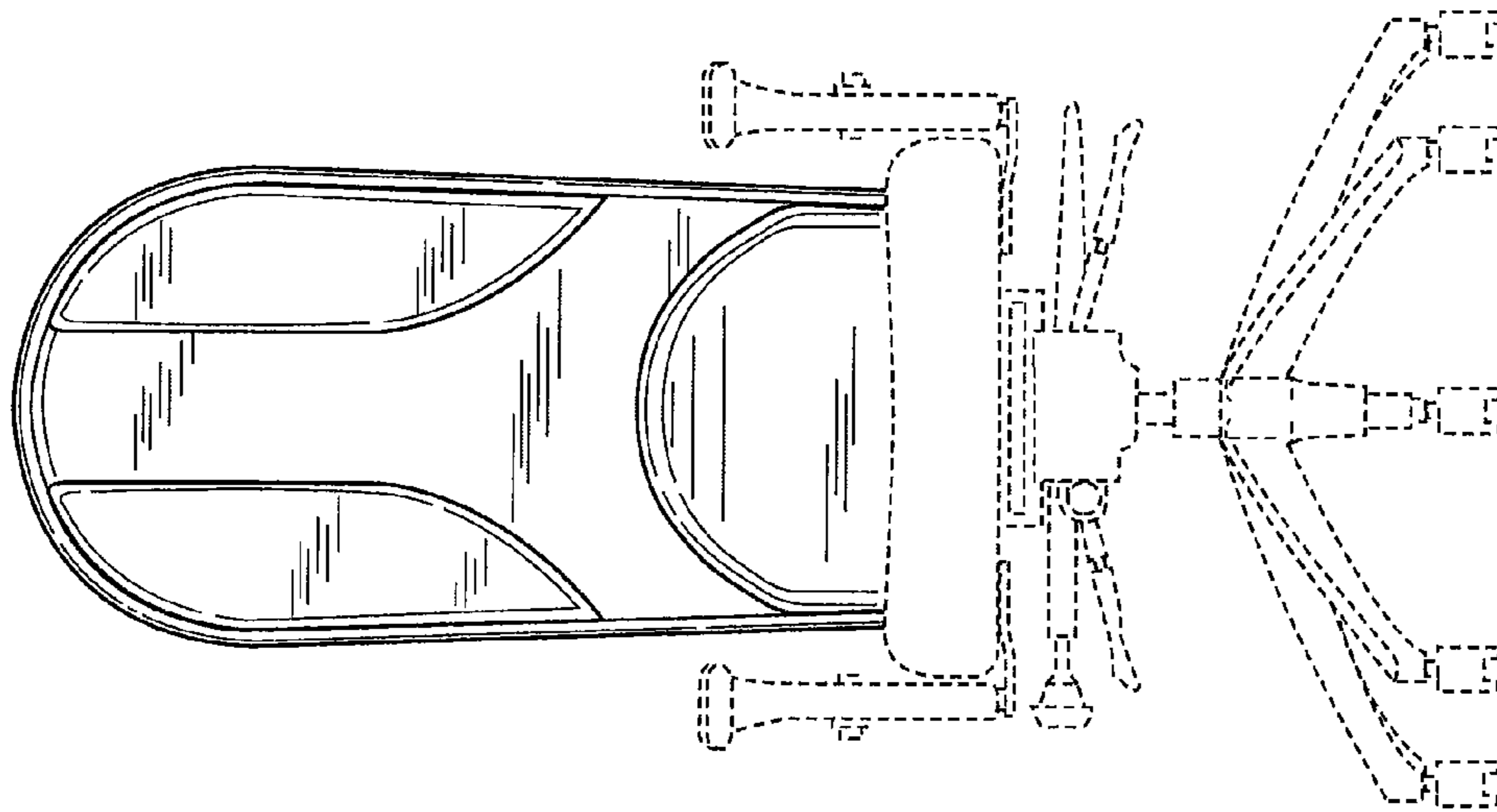


FIG. 4

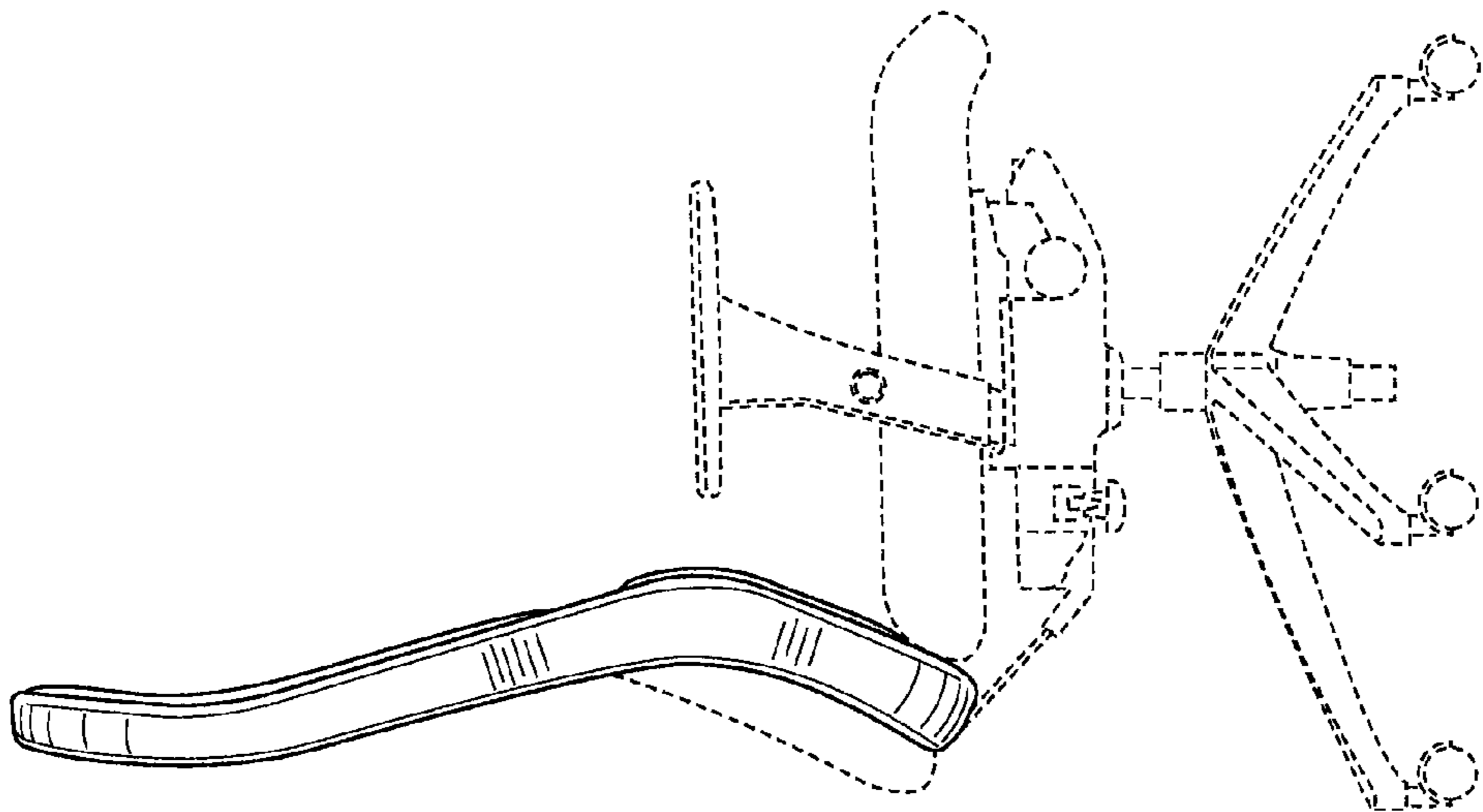


FIG. 3

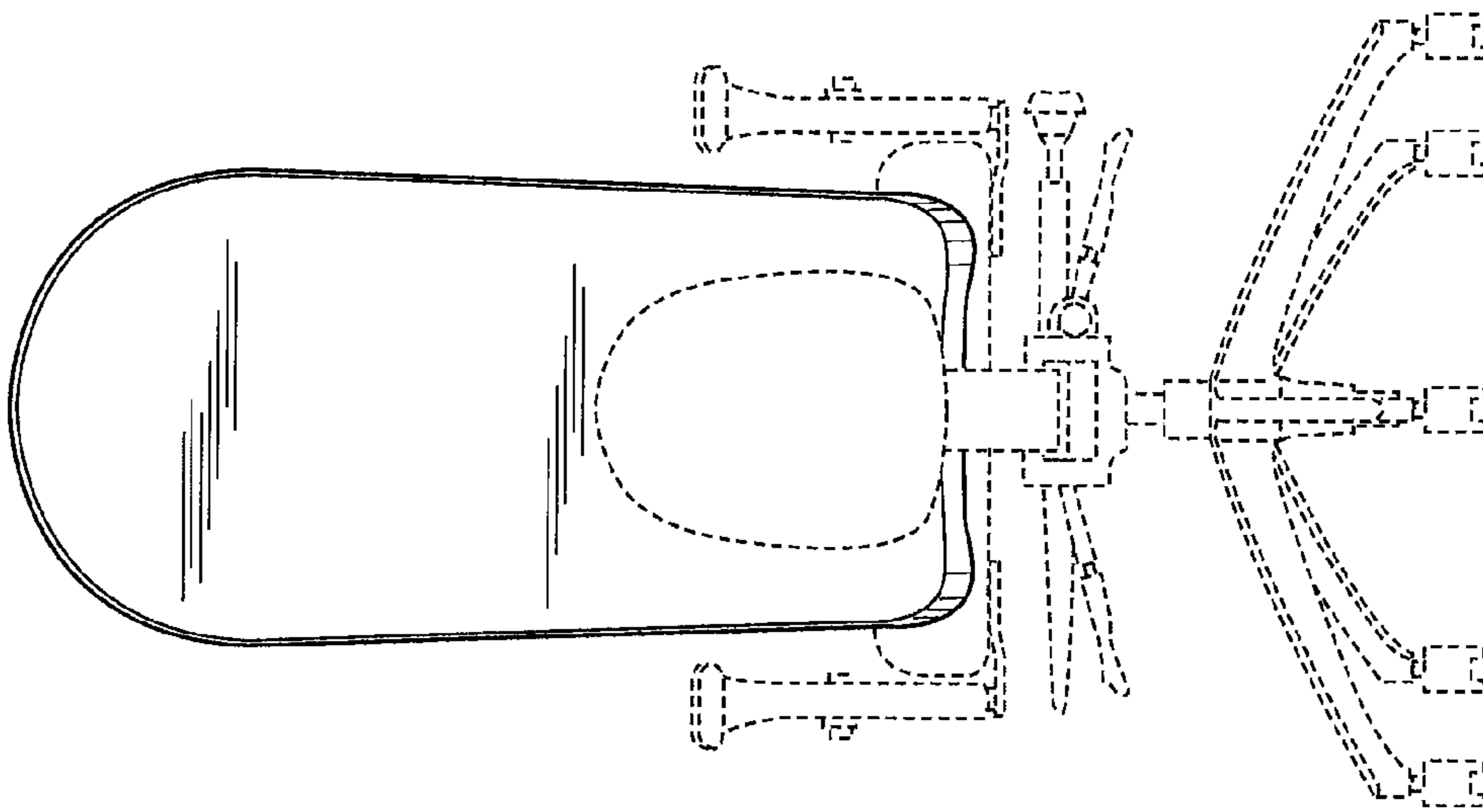


FIG. 6

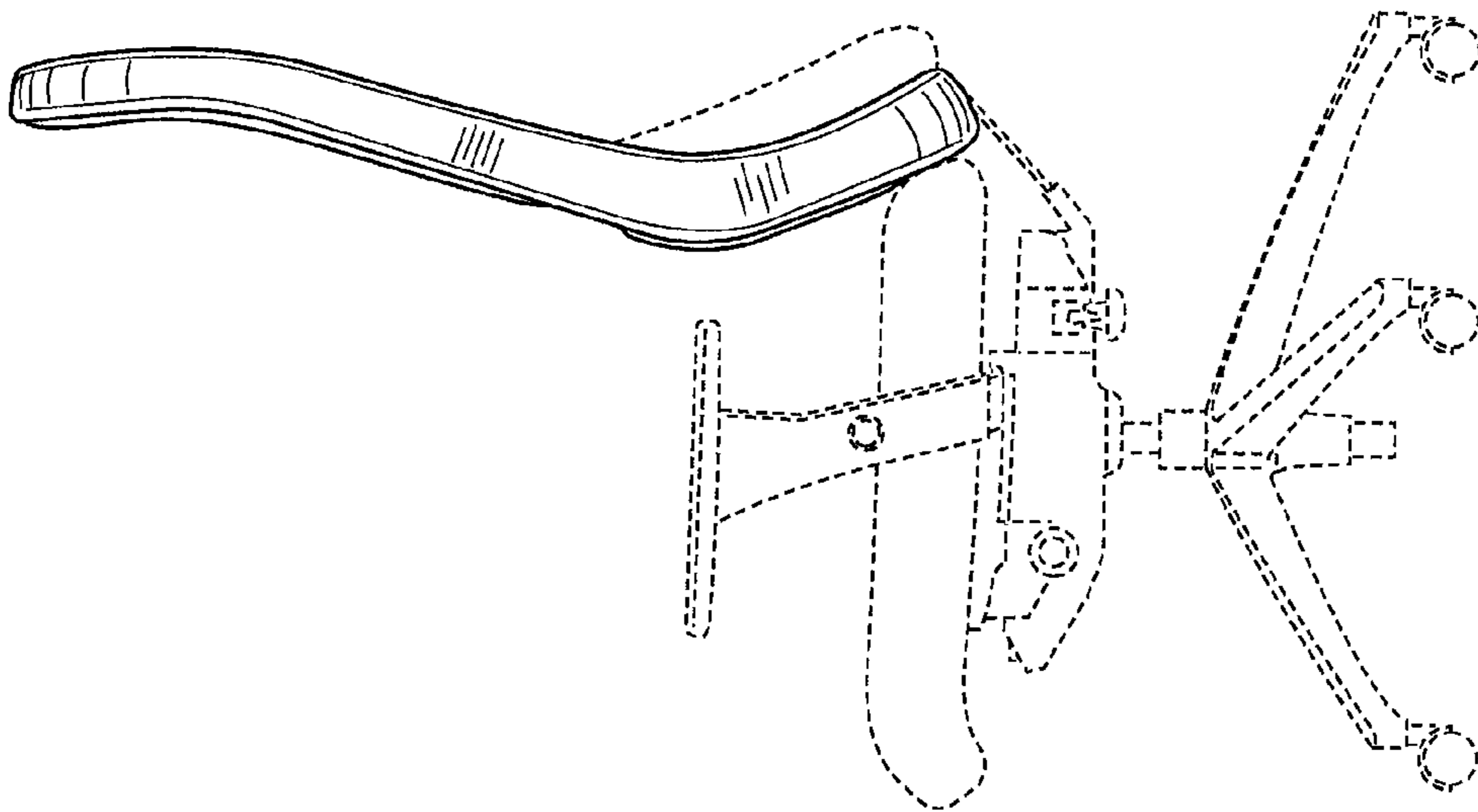


FIG. 5

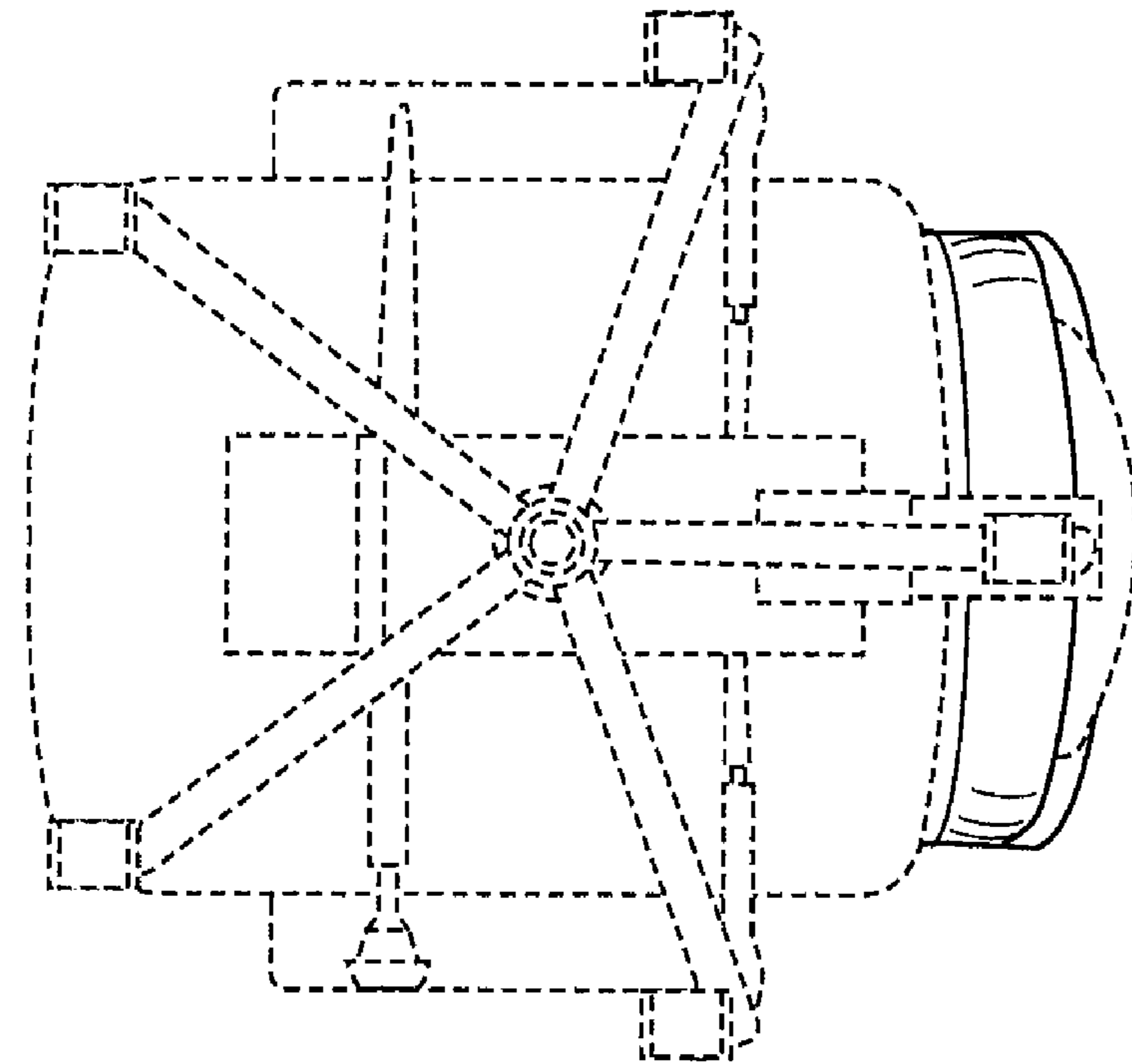


FIG. 7

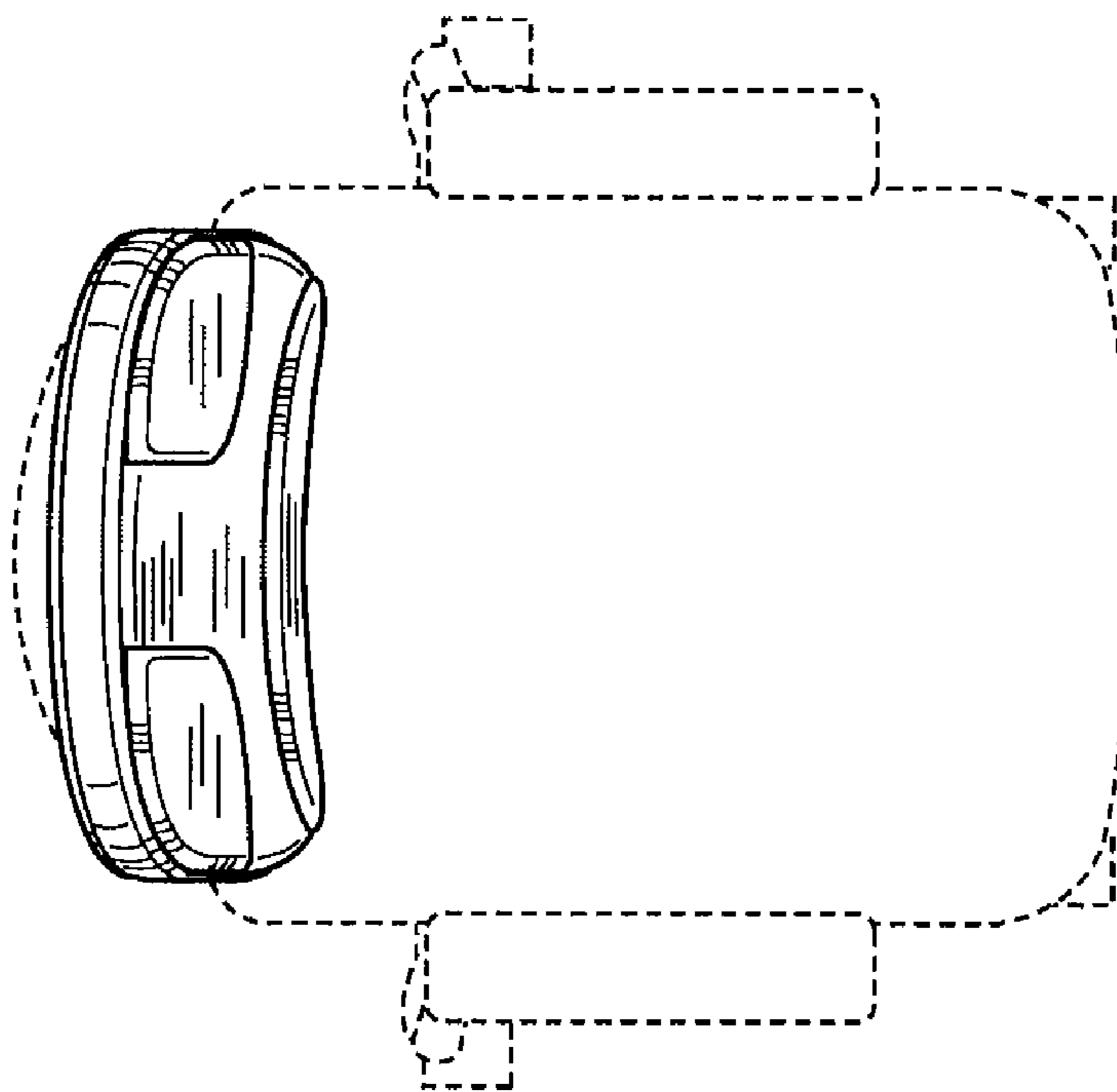


FIG. 8

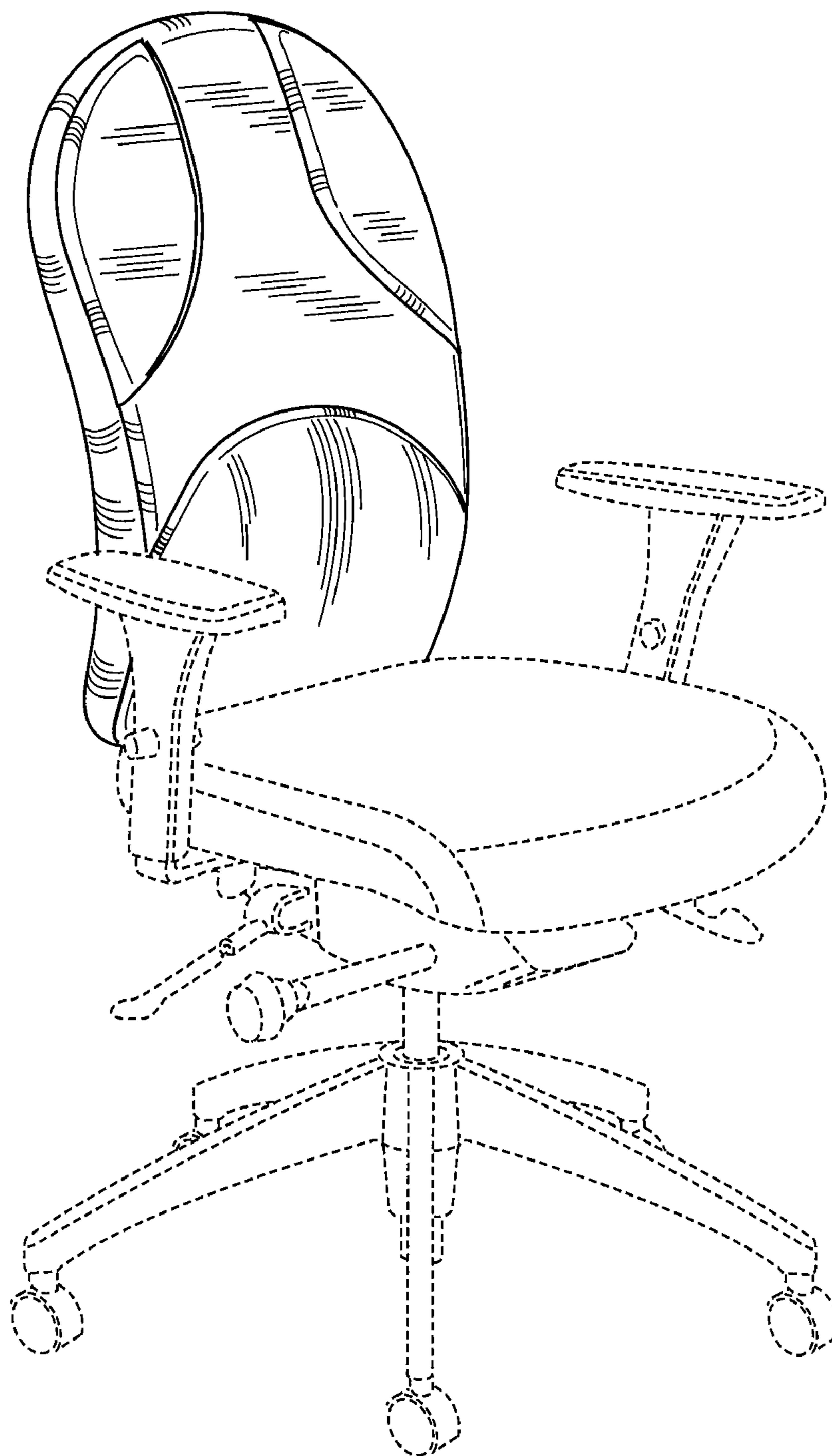


FIG. 9

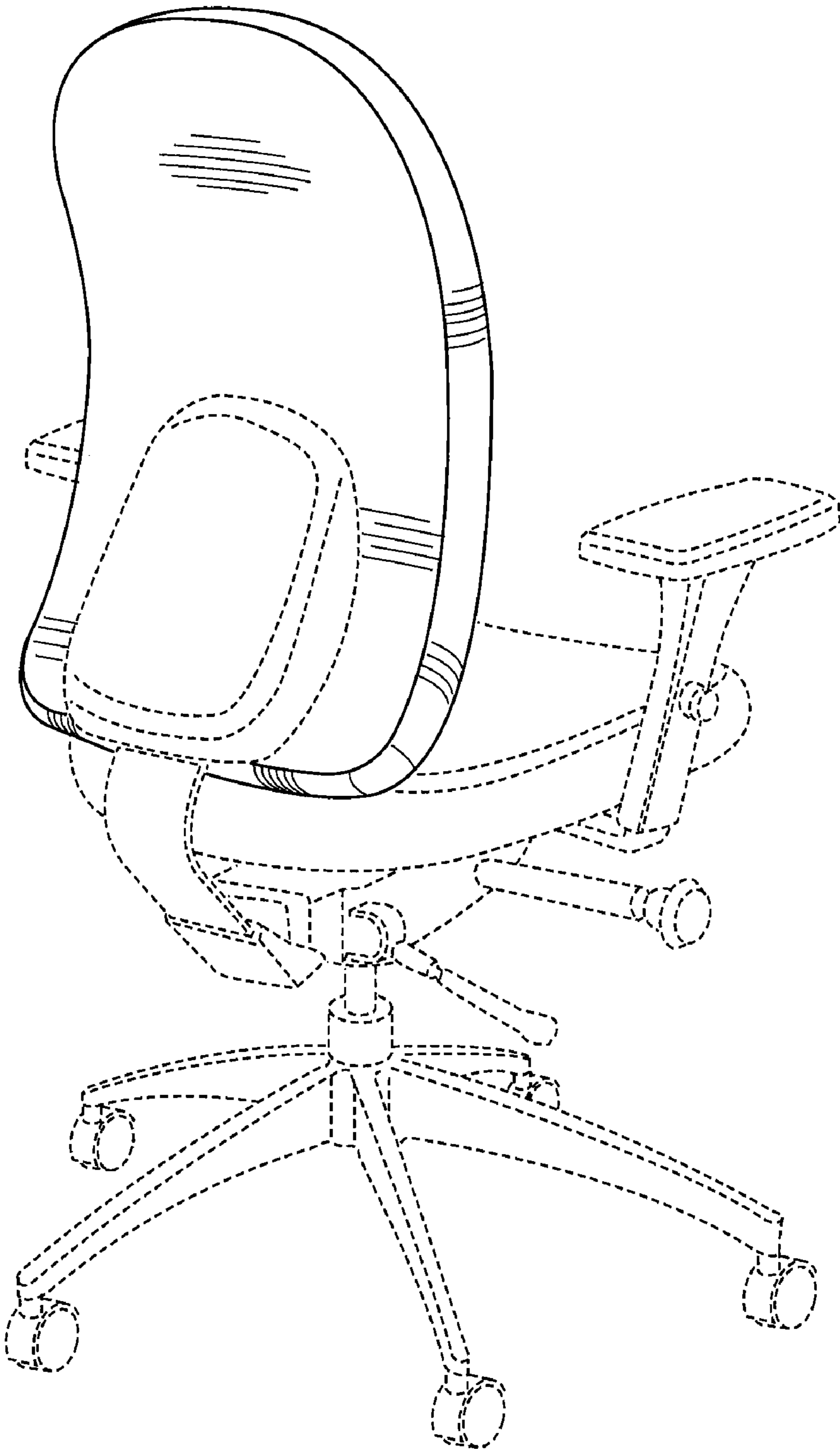


FIG. 10

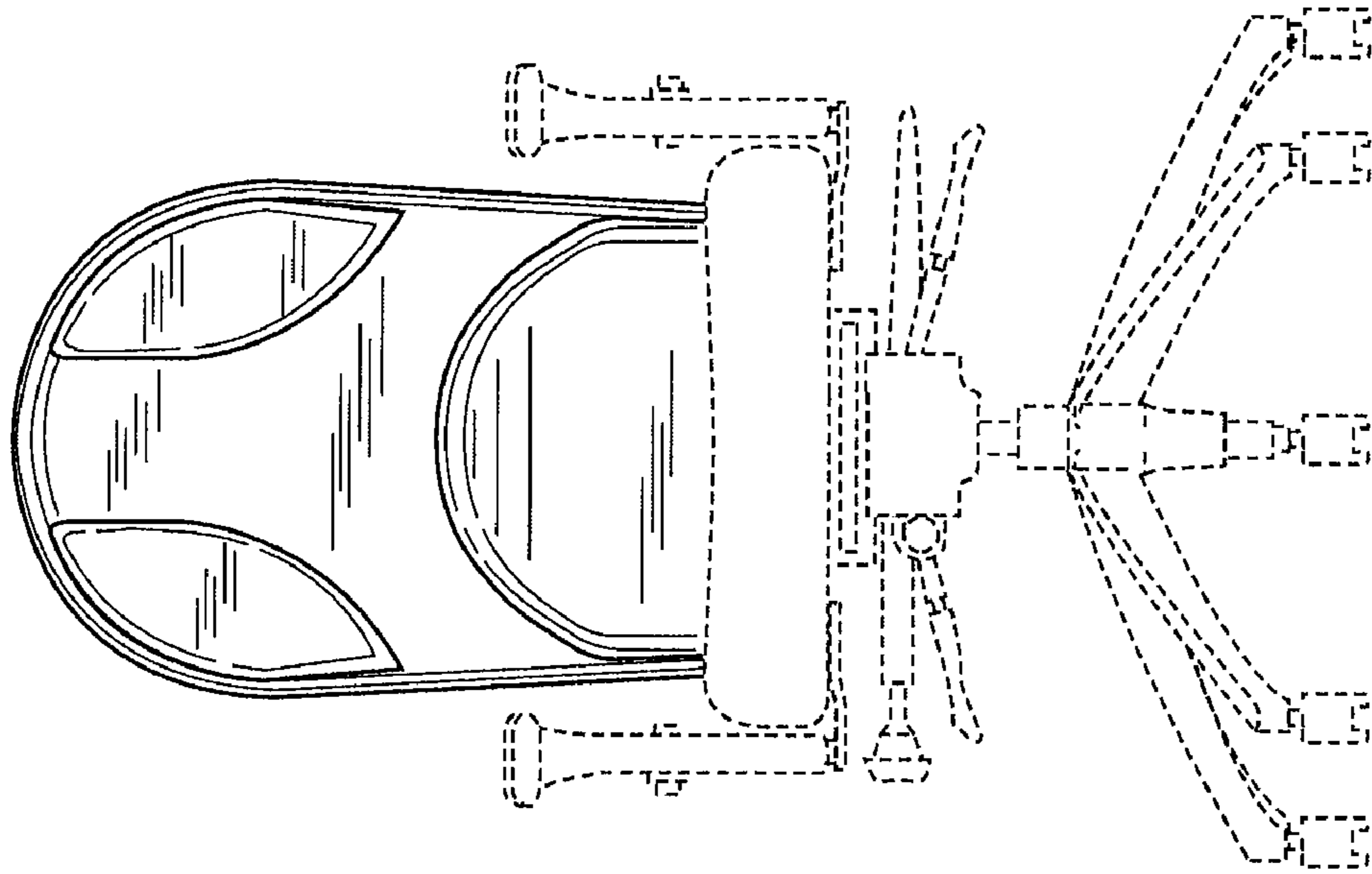


FIG. 12

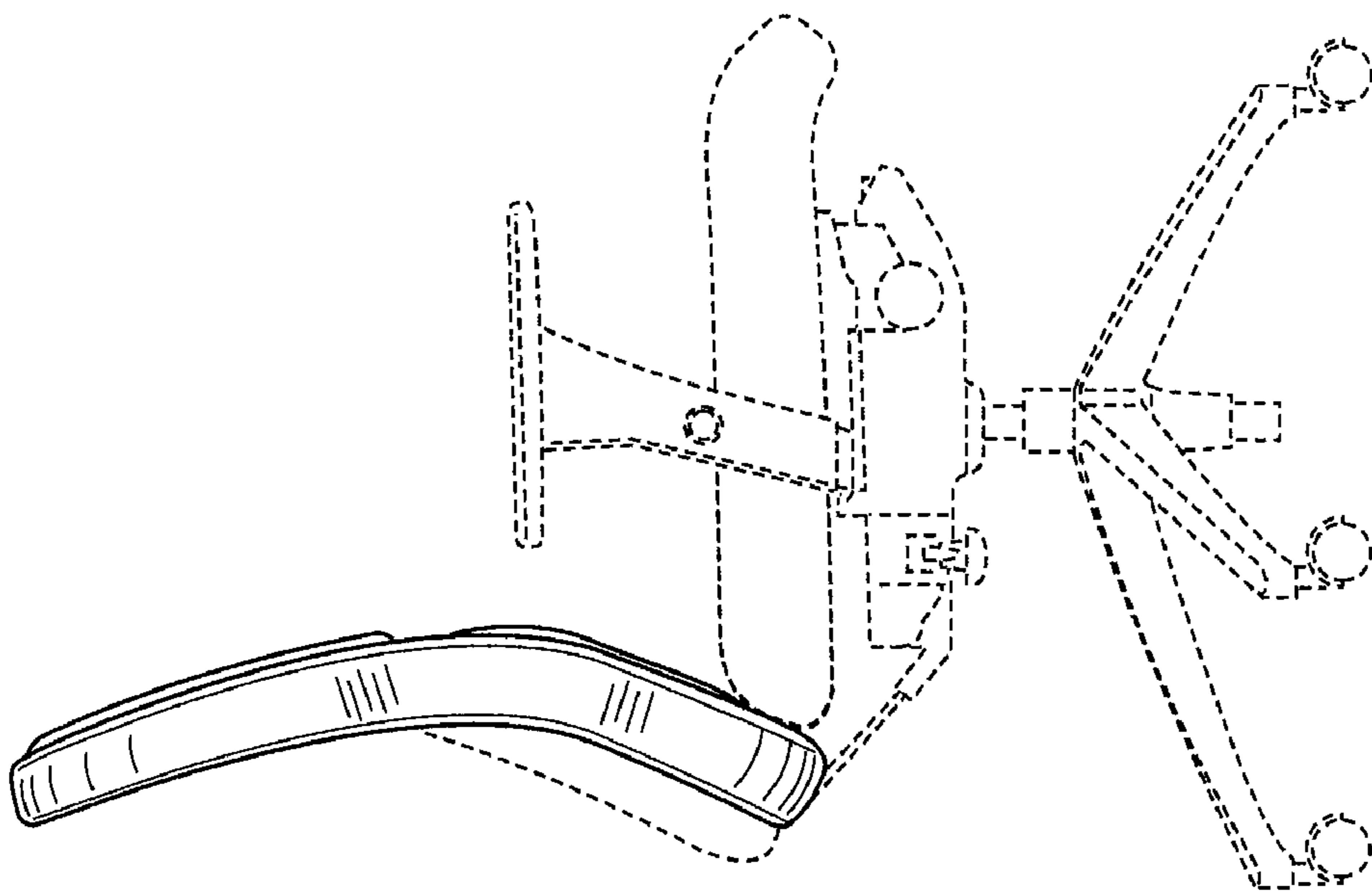


FIG. 11

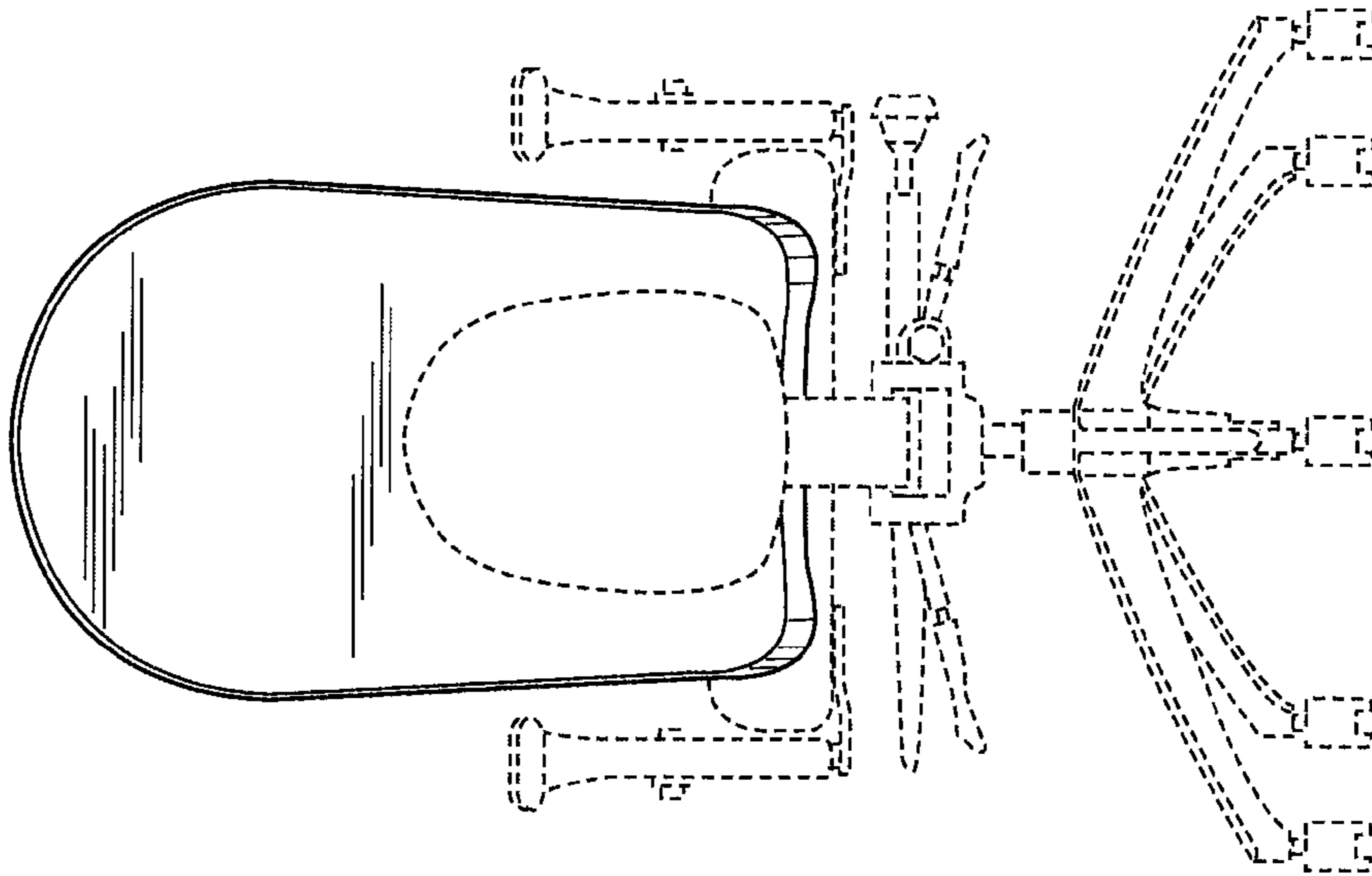


FIG. 14

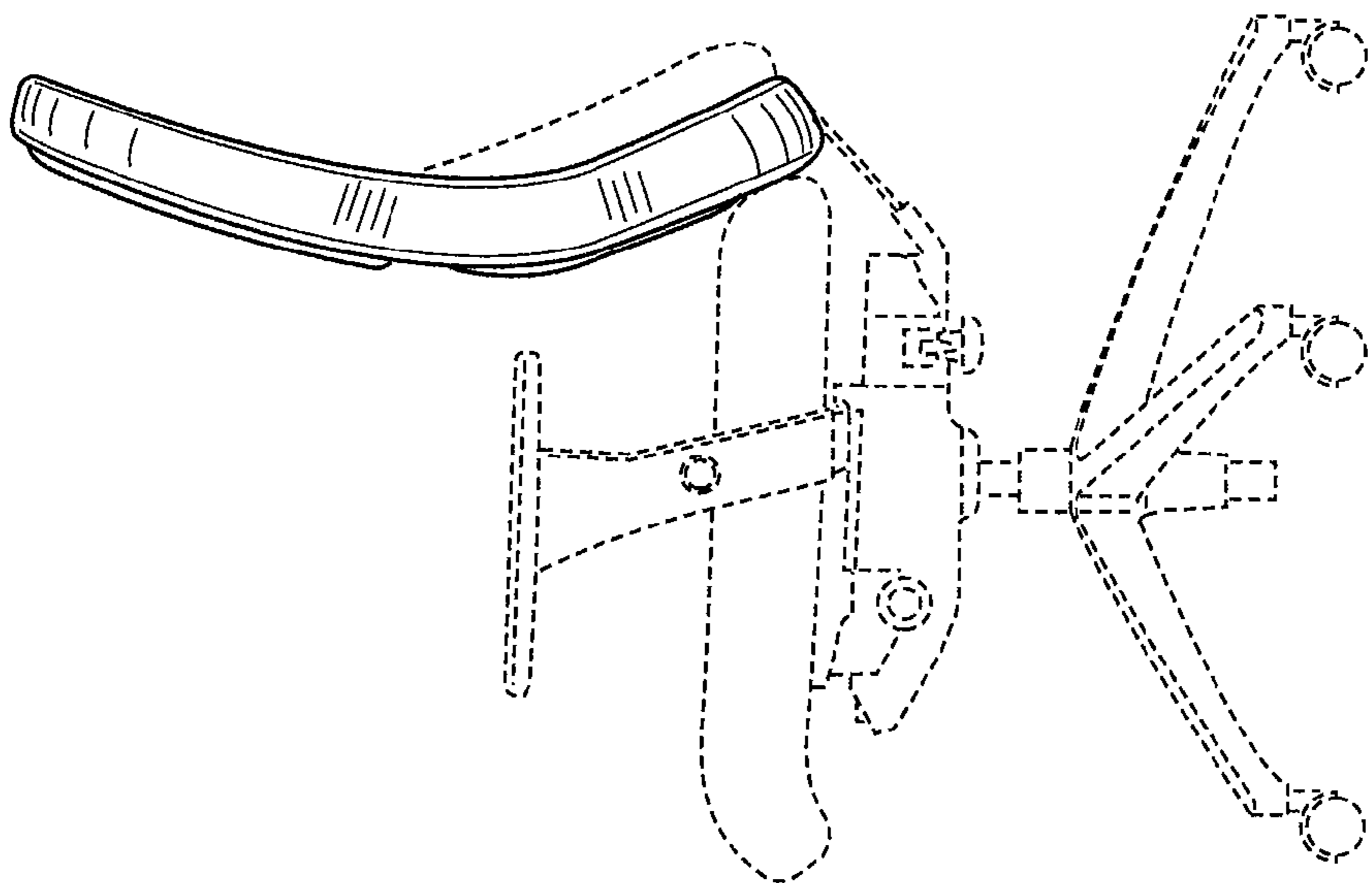


FIG. 13

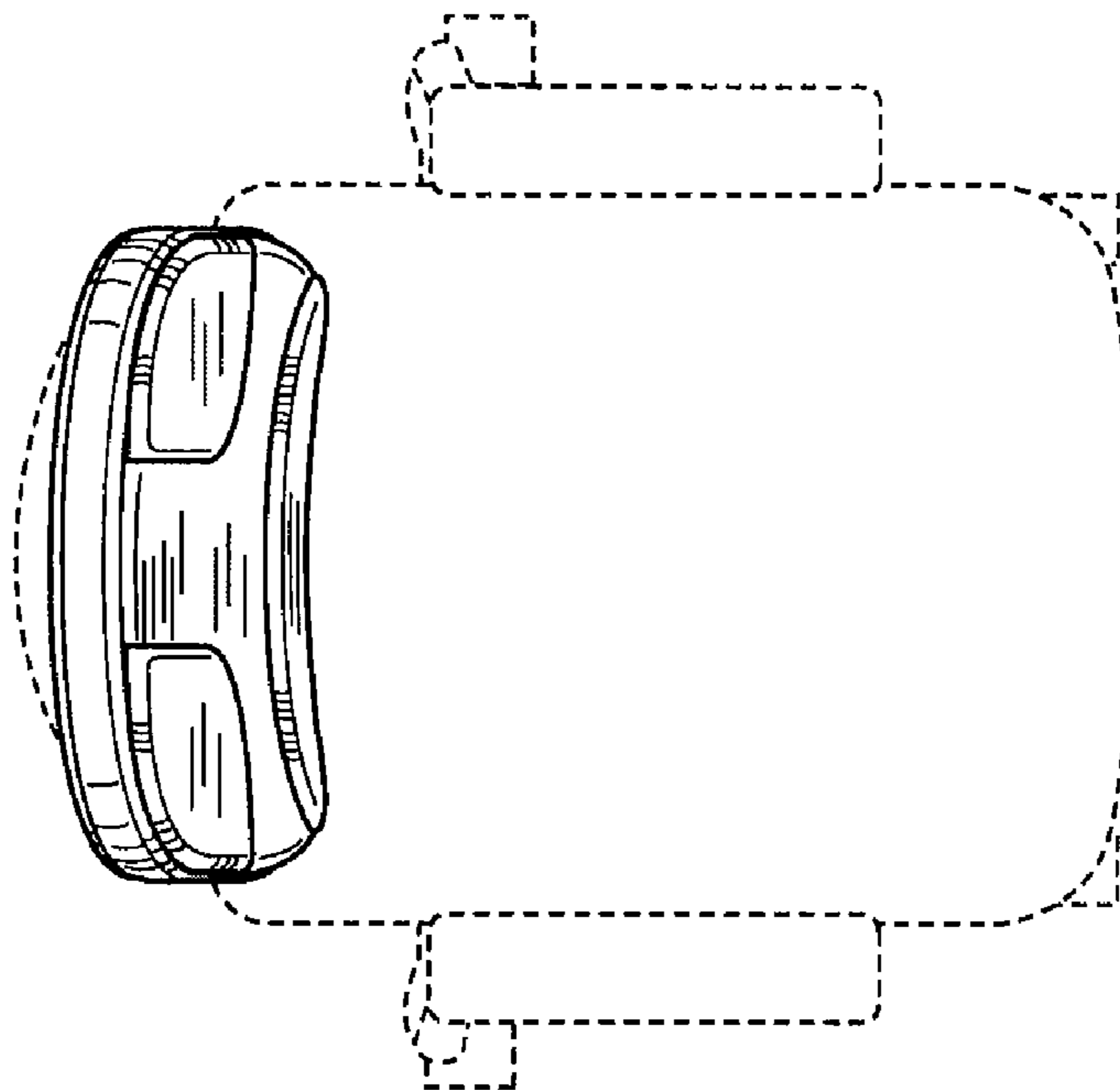


FIG. 15

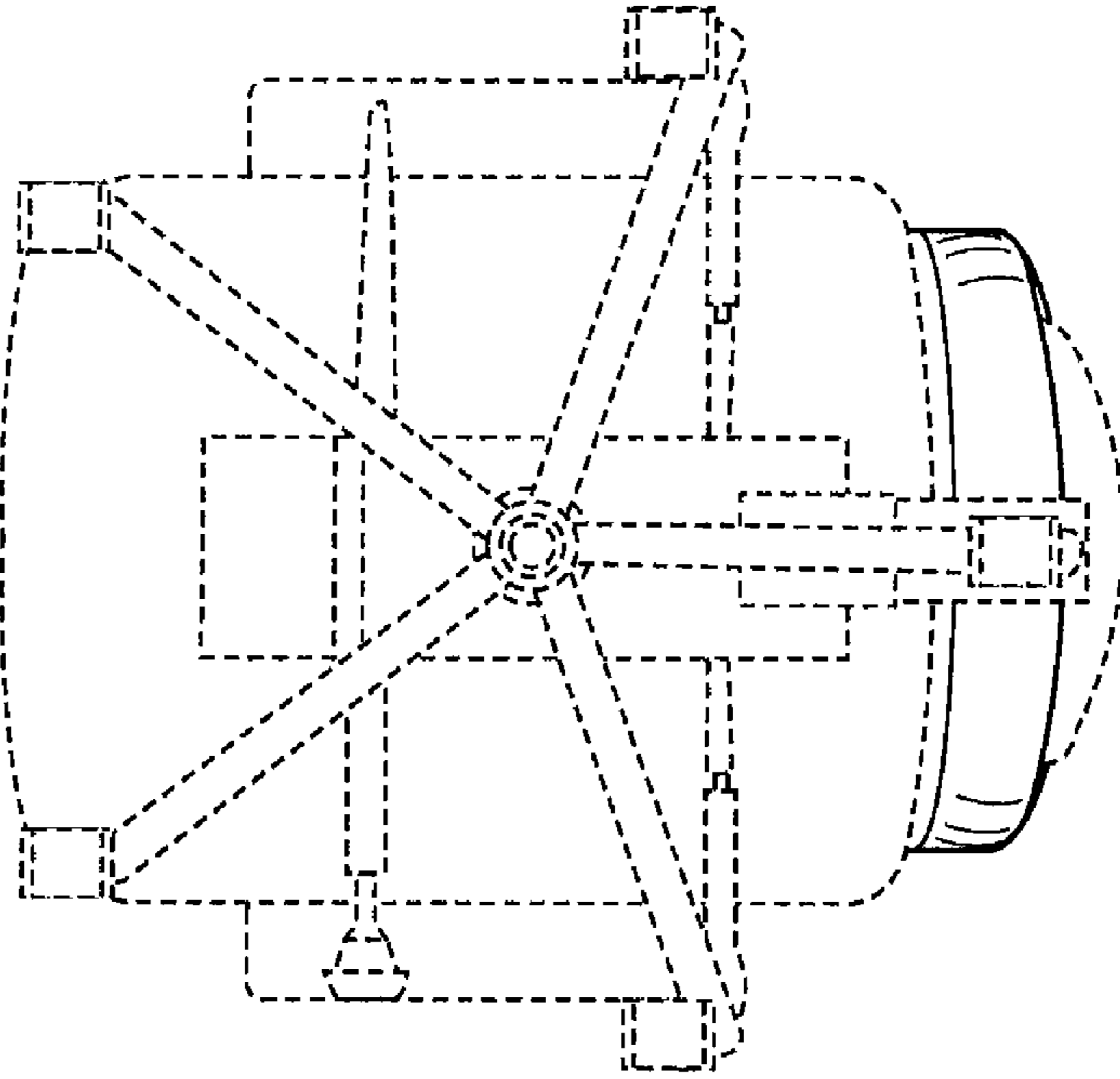


FIG. 16