



US00D577230S

(12) **United States Design Patent**
Haaksma

(10) **Patent No.:** **US D577,230 S**

(45) **Date of Patent:** **** Sep. 23, 2008**

(54) **CHAIR**

(75) Inventor: **Ernst Haaksma**, Den Haag (NL)

(73) Assignee: **Back Quality USA** (NL)

(**) Term: **14 Years**

(21) Appl. No.: **29/298,190**

(22) Filed: **Nov. 30, 2007**

(51) **LOC (8) Cl.** **06-01**

(52) **U.S. Cl.** **D6/500; D6/366**

(58) **Field of Classification Search** D6/334-336,
D6/340, 349, 451, 354, 355, 360, 364, 366,
D6/367, 374, 500-502; 297/156, 195.1,
297/195.11, 202, 219.11, 214; 482/57; D21/663,
D21/664

See application file for complete search history.

(56) **References Cited**

U.S. PATENT DOCUMENTS

1,991,751	A *	2/1935	Kennedy	297/219.11
D108,940	S *	3/1938	Gabb	D6/366
2,332,847	A *	10/1943	Herbert	297/195.1
D283,762	S *	5/1986	Caruso	D6/366
D326,578	S *	6/1992	Kaye	D6/502
D344,313	S *	2/1994	Wu	D21/663
D433,854	S *	11/2000	Diffrient	D6/502
D460,299	S *	7/2002	Lundsgaard	D6/502
D463,143	S *	9/2002	Riddle	D6/336
6,672,660	B2 *	1/2004	Hoshino	297/195.1
6,709,052	B2 *	3/2004	Jalkanen	297/202

D526,031 S * 8/2006 Corbalis et al. D21/663
2002/0163231 A1* 11/2002 Hoshino 297/195.1

OTHER PUBLICATIONS

U.S. Appl. No. 29/298,185, filed Nov. 30, 2007; Inventor: Ernst Haaksma.

U.S. Appl. No. 29/298,187, filed Nov. 30, 2007; Inventor: Ernst Haaksma.

Dynamic Scan of brochure showing prior art chair manufactured by Back Quality USA, Assignee of the current application.

* cited by examiner

Primary Examiner—Mimosa De

(74) *Attorney, Agent, or Firm*—Margaret Polson; Patent Law Offices of Rick Martin, P.C.

(57) **CLAIM**

The ornamental design for a chair, as shown and described.

DESCRIPTION

FIG. 1 is a front elevation view of front side of my new design for a chair the base shown in dotted lines which is environmental structure only and is not part of the claimed design.

FIG. 2 is a back side elevation view of FIG. 1.

FIG. 3 is a right side elevation view of FIG. 1.

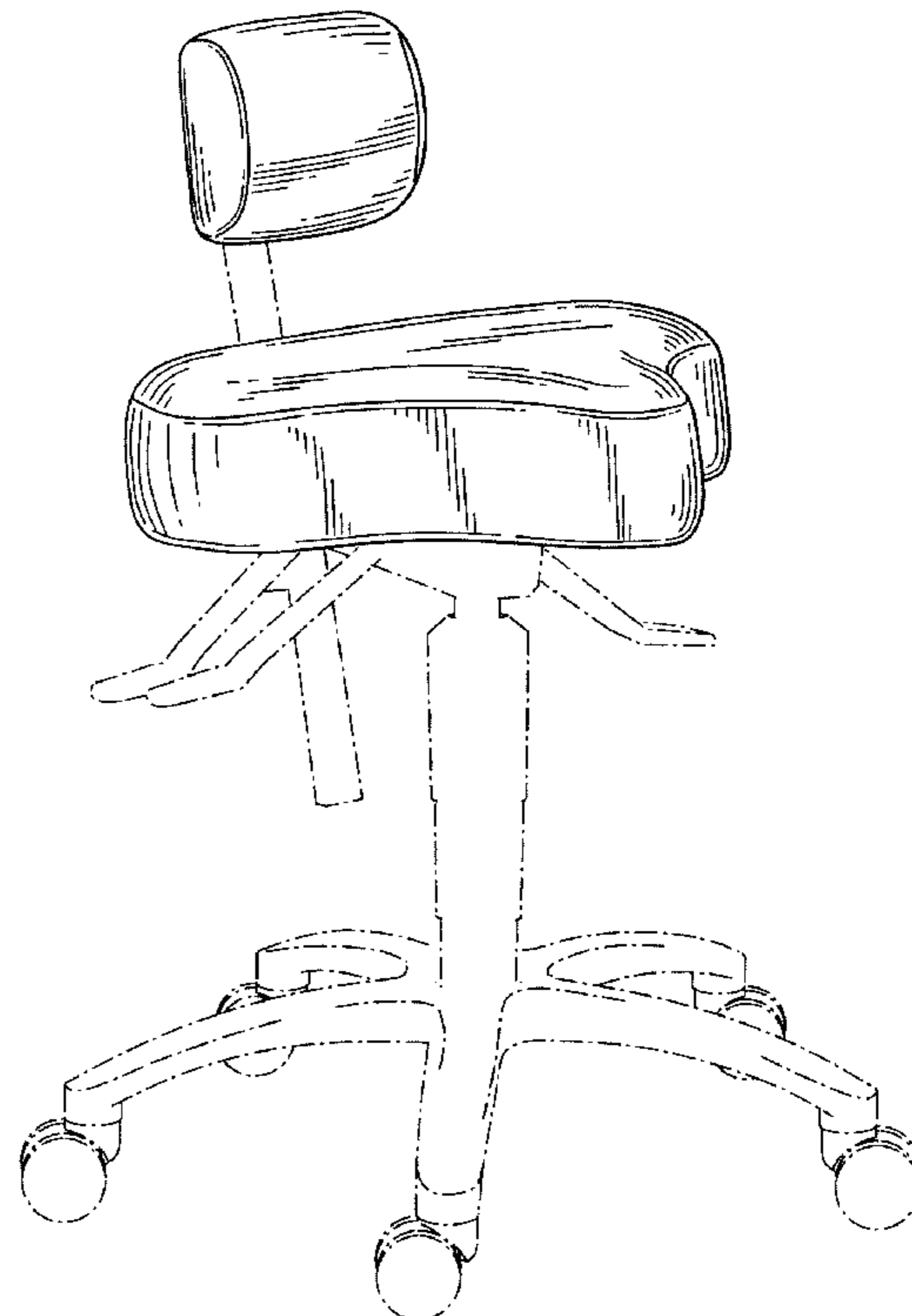
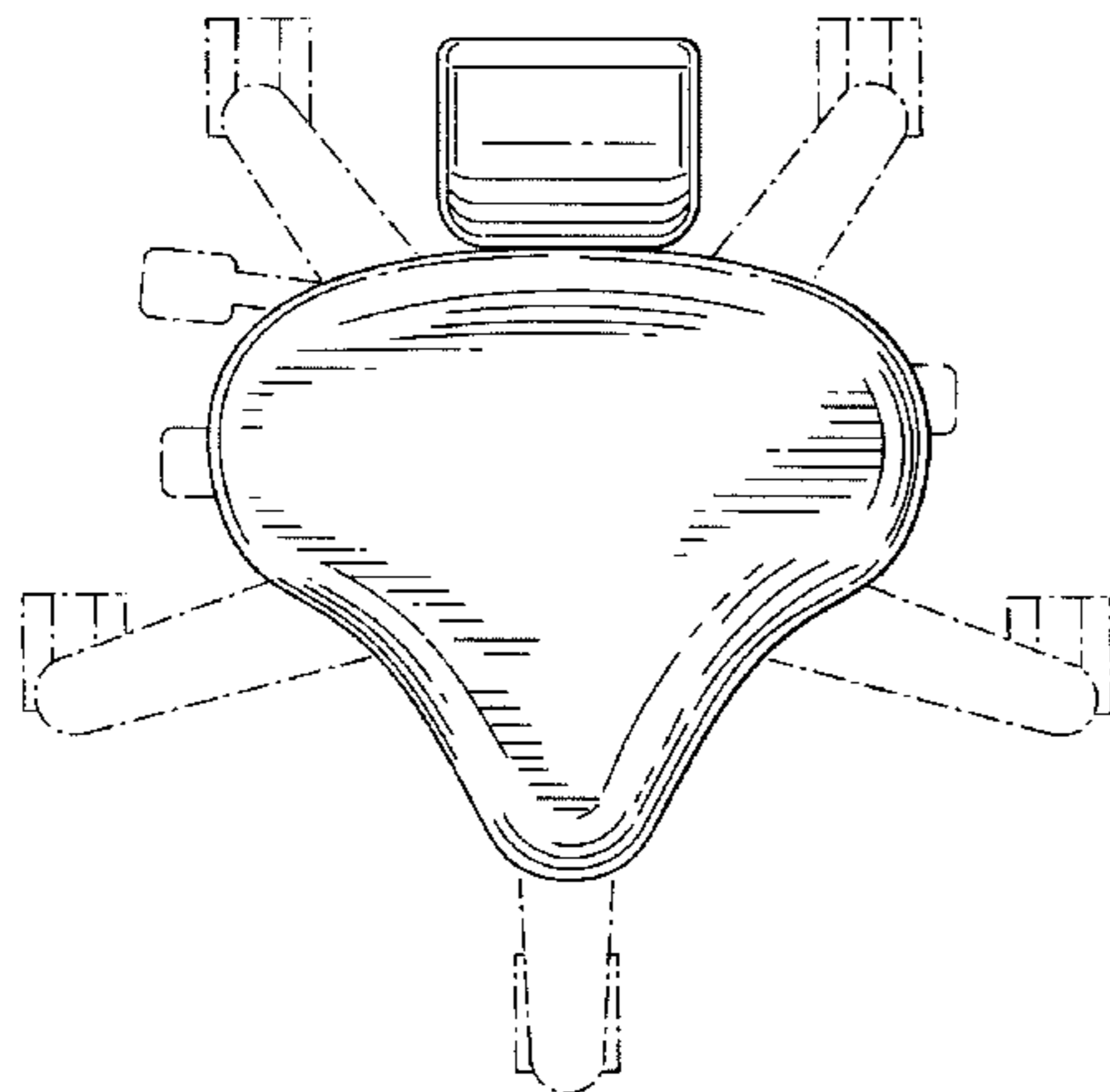
FIG. 4 is a left side elevation view of FIG. 1.

FIG. 5 is a top plan view of FIG. 1.

FIG. 6 is a bottom plan view of FIG. 1; and,

FIG. 7 is a front perspective view of FIG. 1.

1 Claim, 4 Drawing Sheets



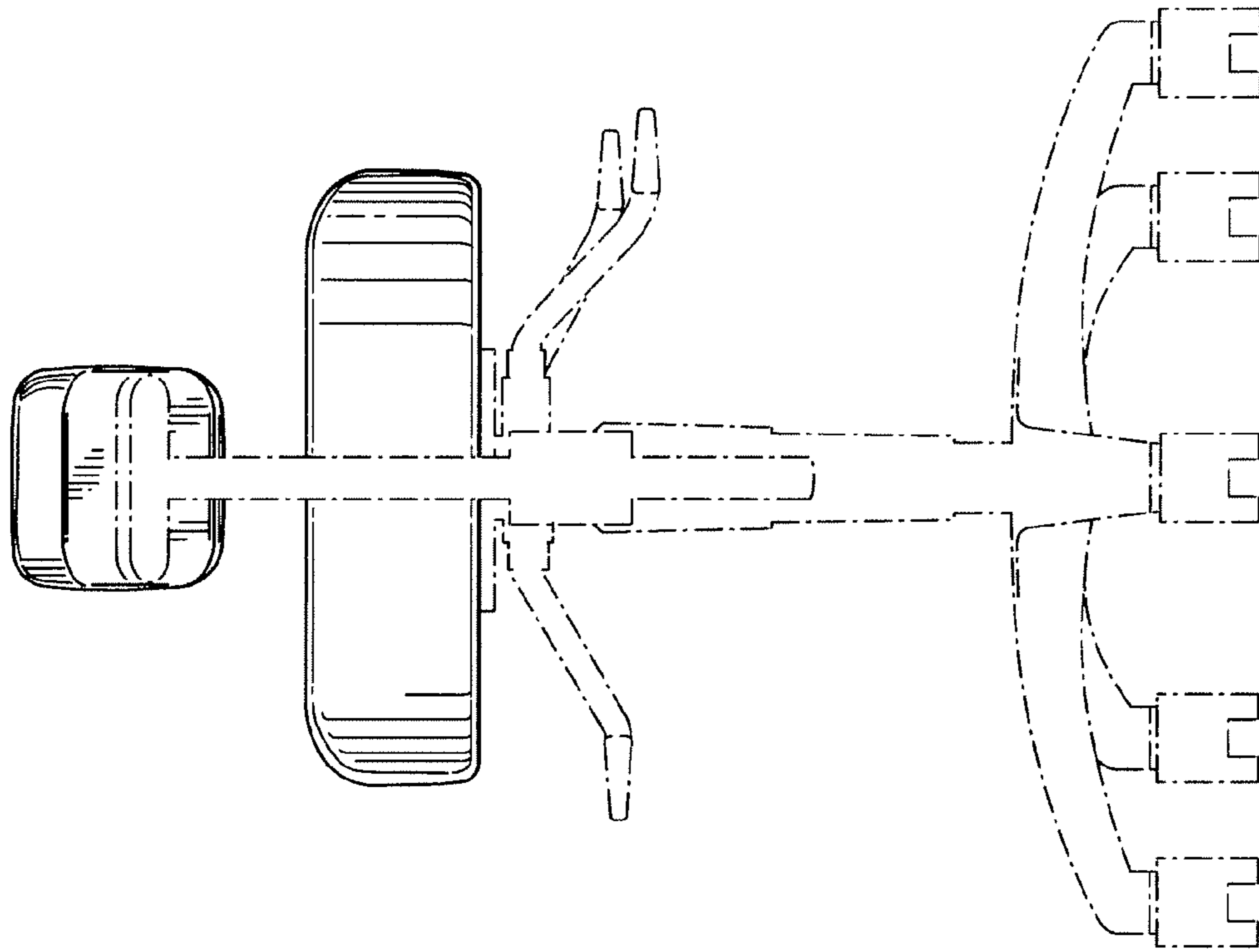


FIG.1

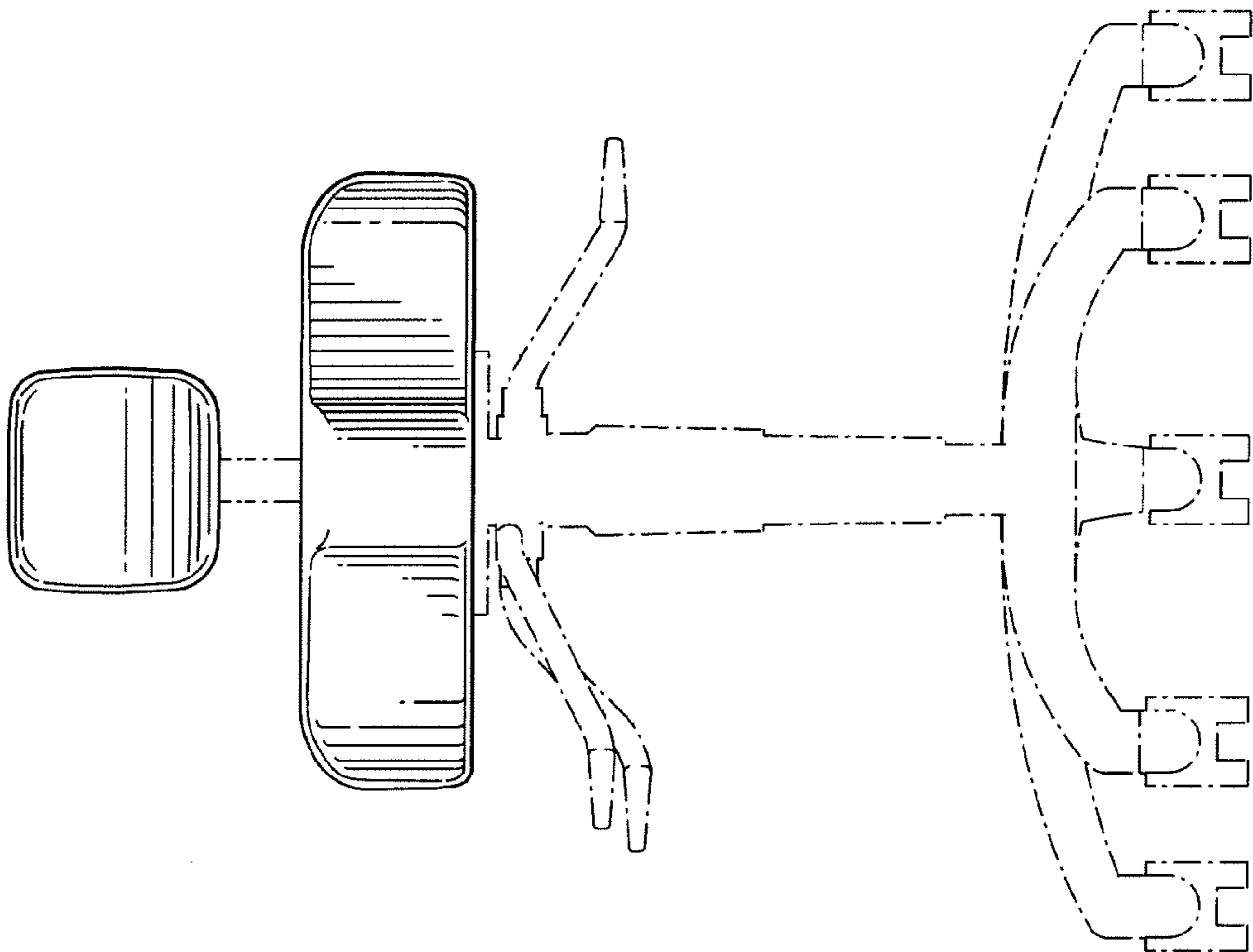


FIG.2

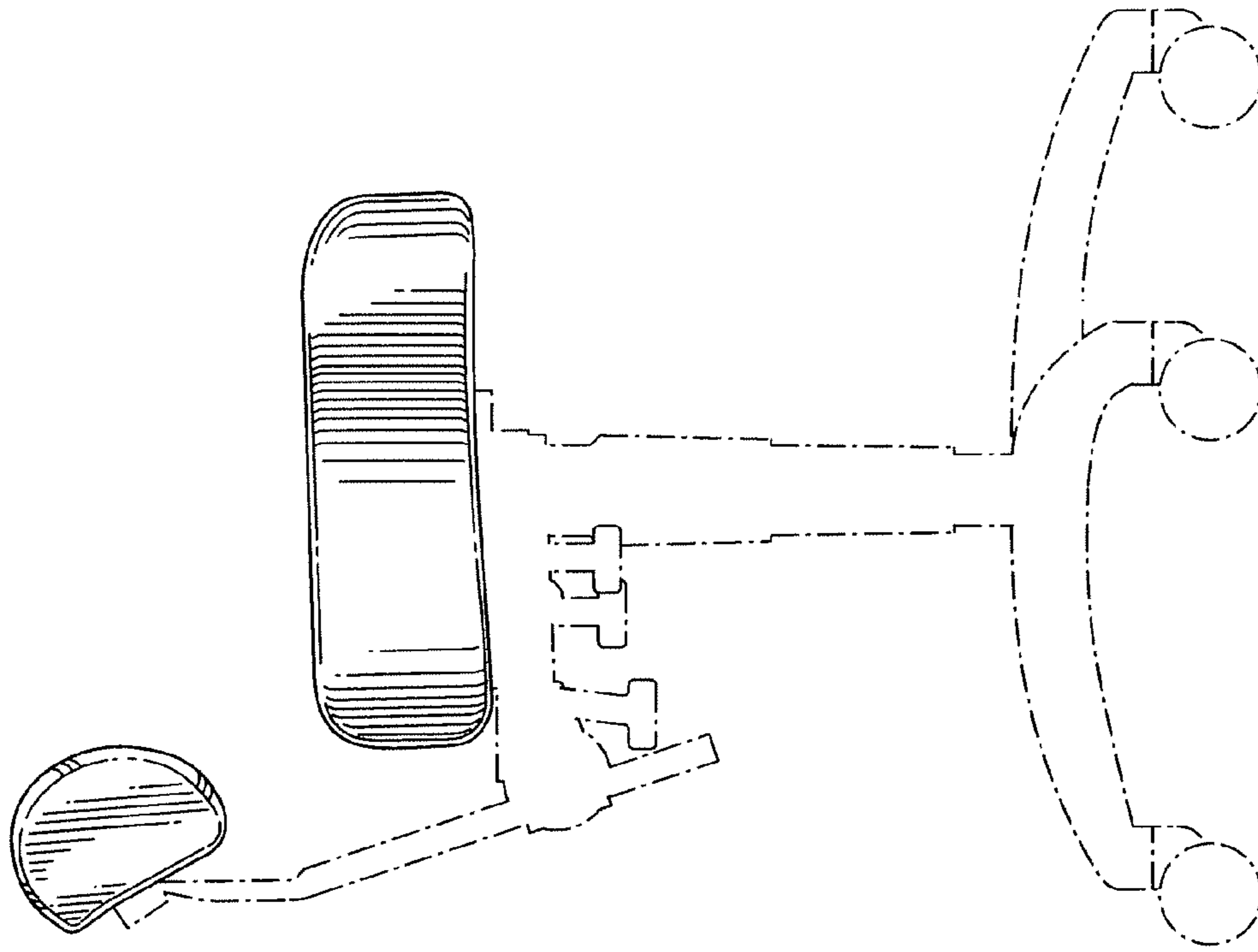


FIG.4

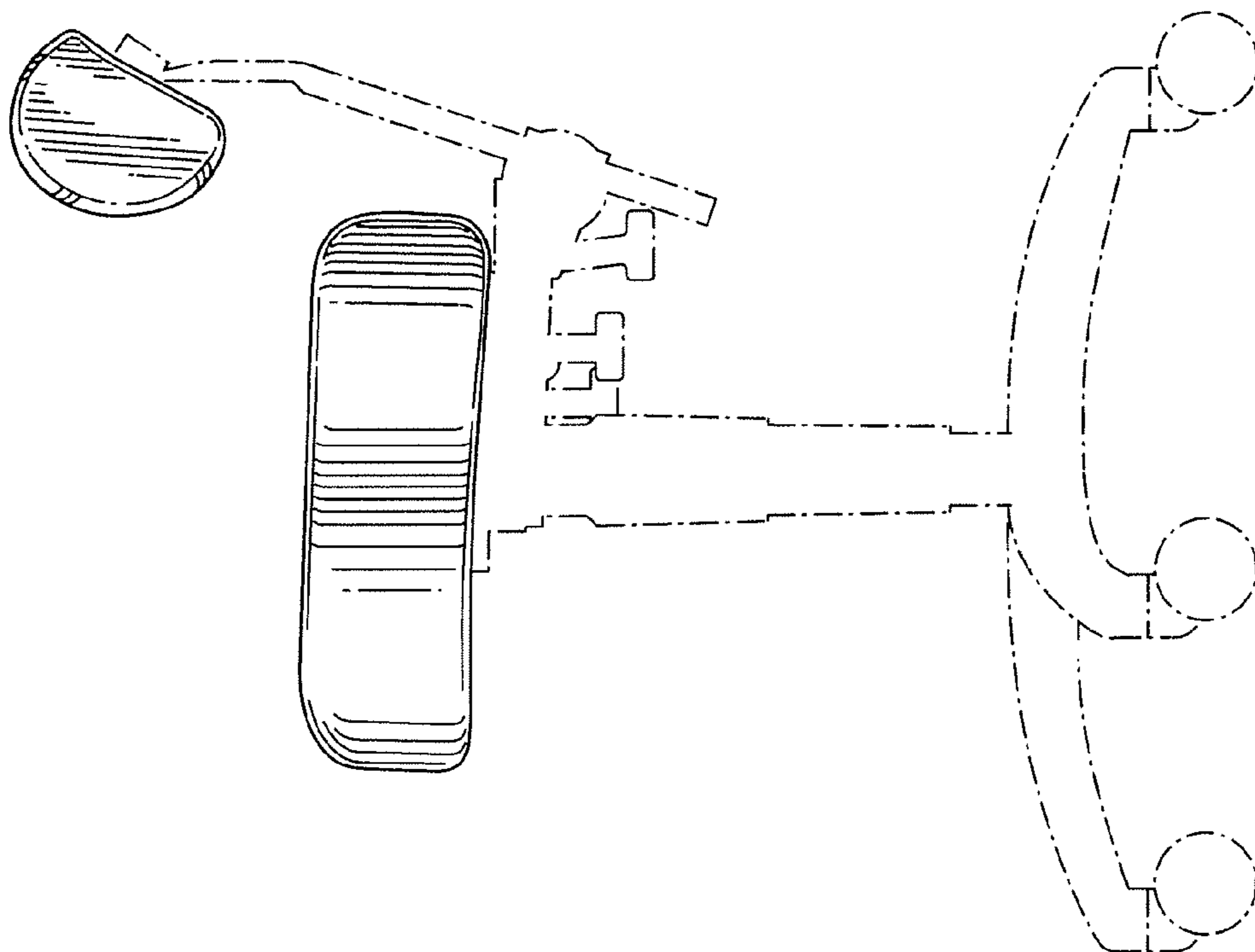


FIG.3

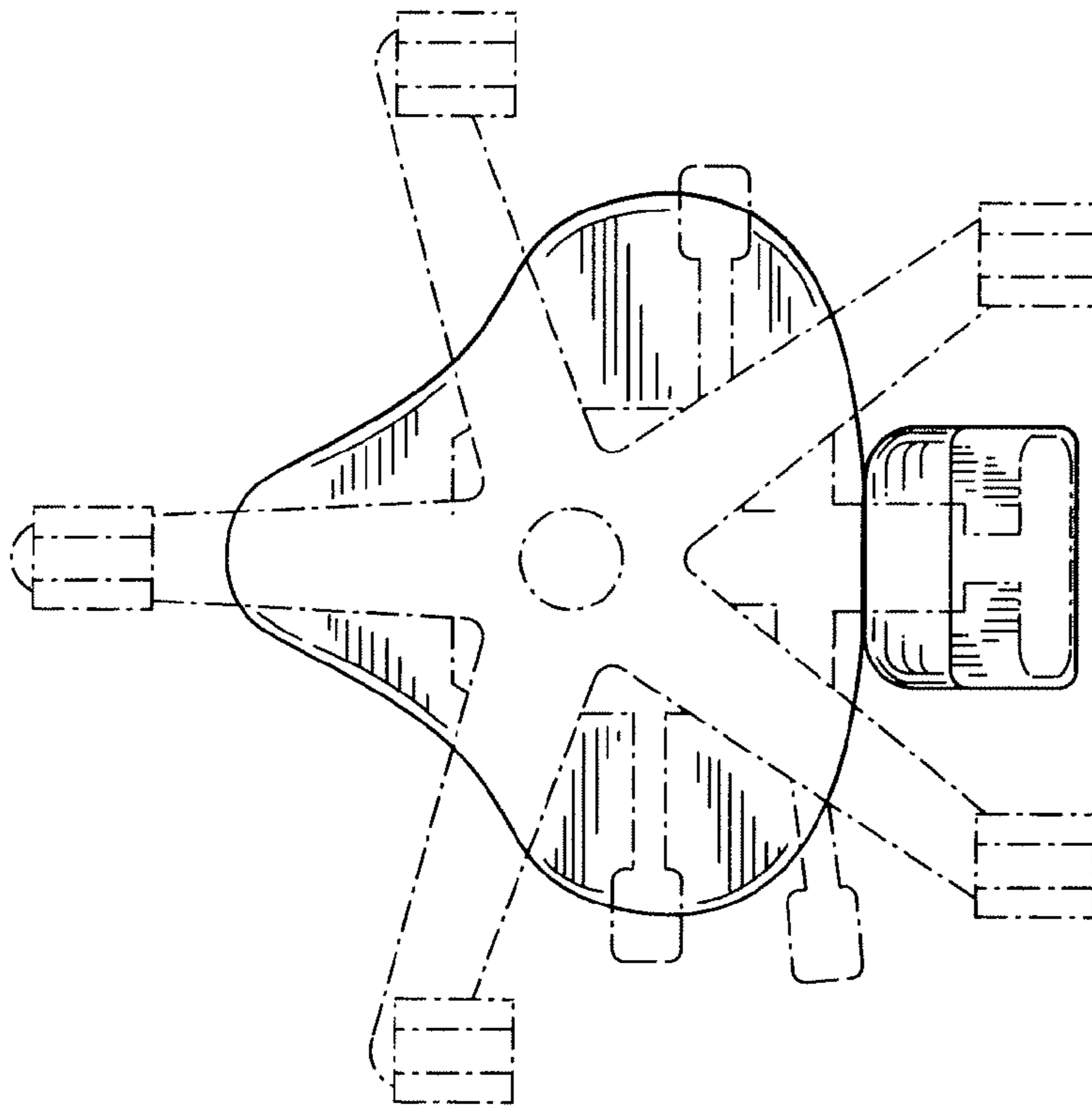


FIG. 6

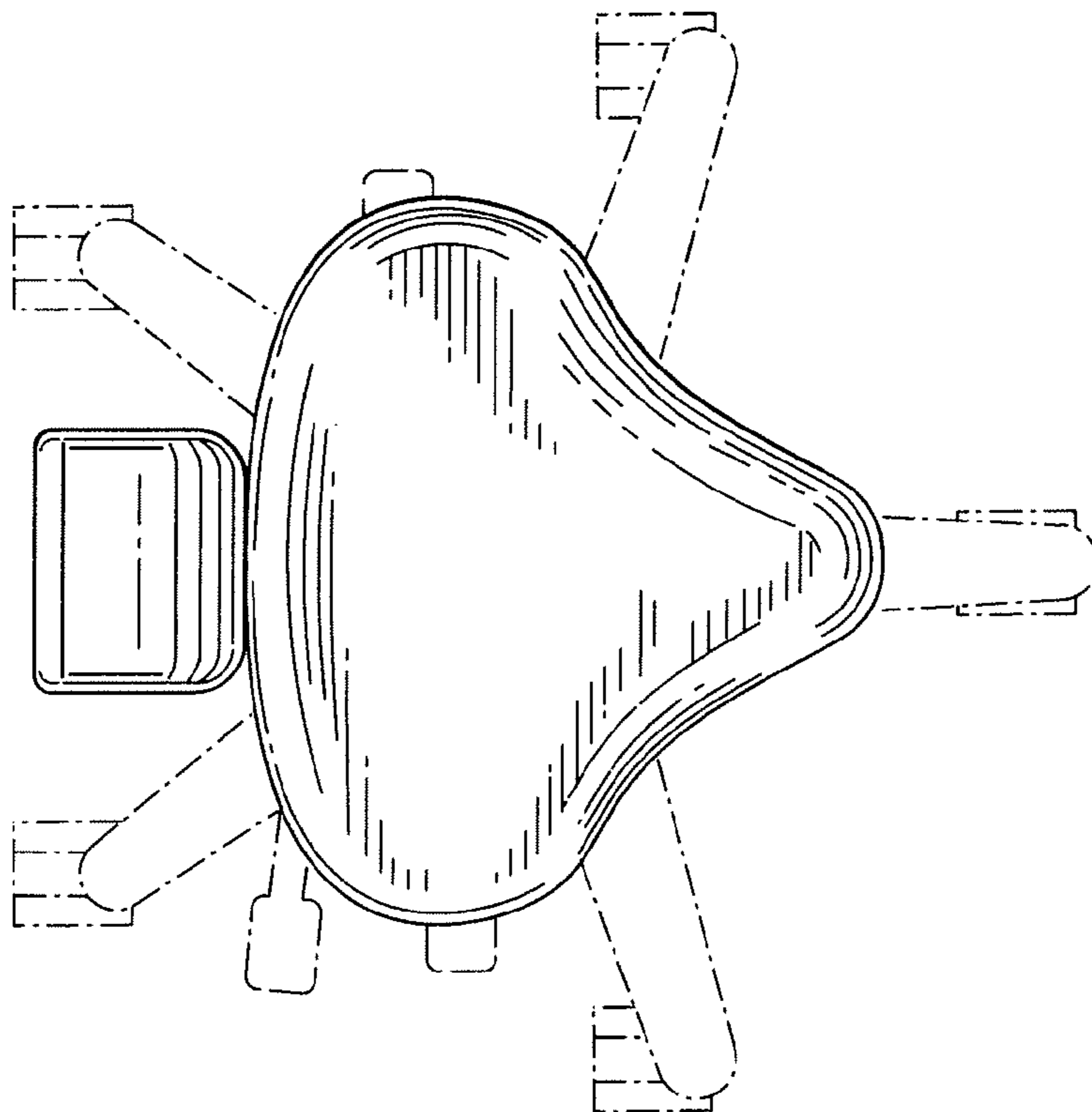


FIG. 5

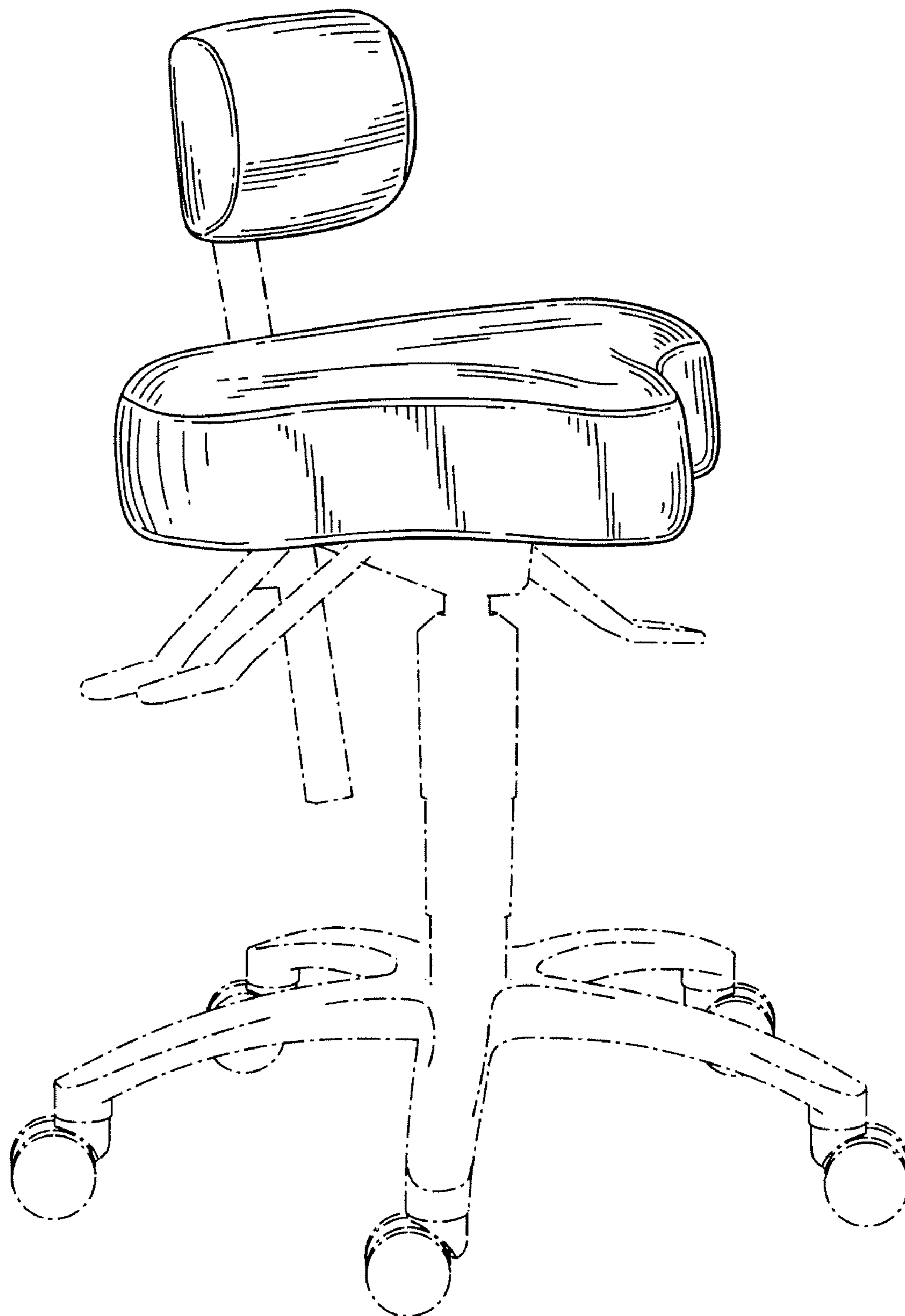


FIG.7