



US00D577225S

(12) **United States Design Patent**  
**Greiner**

(10) **Patent No.:** **US D577,225 S**

(45) **Date of Patent:** **\*\* Sep. 23, 2008**

(54) **VANITY ORGANIZER**

(75) Inventor: **Lori Greiner**, Chicago, IL (US)

(73) Assignee: **For Your Ease Only, Inc.**, Chicago, IL (US)

(\*\*) Term: **14 Years**

(21) Appl. No.: **29/297,608**

(22) Filed: **Nov. 14, 2007**

(51) **LOC (8) Cl.** ..... **06-04**

(52) **U.S. Cl.** ..... **D6/444**

(58) **Field of Classification Search** ..... D6/429,  
D6/430, 432-448, 480, 509-511; 312/114,  
312/204, 224, 227, 228, 237, 257.1, 293.1,  
312/293.2; 108/151, 153.1, 155, 156, 157.1,  
108/161; 248/188, 188.1, 188.8; D3/284,  
D3/294, 295, 296, 304, 319, 903

See application file for complete search history.

(56) **References Cited**

**U.S. PATENT DOCUMENTS**

356,401 A *	1/1887	Dils	312/228
1,208,924 A *	12/1916	Deming	108/156
1,451,207 A *	4/1923	Draper	312/227
3,926,488 A *	12/1975	Amos	312/204
4,192,329 A	3/1980	Swearingen	
D302,217 S	7/1989	Keller	
D303,593 S	9/1989	Keller et al.	
D303,594 S	9/1989	Keller et al.	
D308,308 S	6/1990	Keller	
D308,921 S	7/1990	Keller	
D309,388 S	7/1990	Yau Kee	
D309,536 S	7/1990	Mo Yau Kee	
D311,832 S	11/1990	Keller	
D316,341 S	4/1991	Kee	
D319,547 S	9/1991	Kee	
D327,787 S	7/1992	Yau Kee	
D342,121 S *	12/1993	Lim	D6/429
D382,730 S *	8/1997	Hsu et al.	D6/440
D383,937 S *	9/1997	Myers	D6/559

5,727,701 A	3/1998	Rhoades	
D416,711 S *	11/1999	Chou	D6/444
D416,712 S *	11/1999	Chou	D6/444
6,003,963 A *	12/1999	Greiner	312/204
D443,042 S	5/2001	Ungaro	
D453,209 S	1/2002	Pila	
D453,818 S	2/2002	Pila	
6,502,254 B1	1/2003	De Menna	
D498,082 S	11/2004	Katz et al.	
D557,517 S	12/2007	Greiner	
D557,518 S	12/2007	Greiner	
D557,930 S	12/2007	Greiner	
D557,939 S	12/2007	Greiner	
D558,482 S	1/2008	Greiner	
2005/0099101 A1	5/2005	Lowe	
2005/0285485 A1 *	12/2005	Heseman	312/204
2006/0124818 A1	6/2006	Wai	
2007/0145868 A1	6/2007	Greiner	

**OTHER PUBLICATIONS**

U.S. Appl. No. 29/263,540, filed Jul. 25, 2006, Title "Swivel Organizer", Inventor Lori Greiner.

(Continued)

*Primary Examiner*—Mimosa De

(74) *Attorney, Agent, or Firm*—Fredrikson & Byron, P.A.

(57) **CLAIM**

I claim the ornamental design for a vanity organizer, as shown and described.

**DESCRIPTION**

FIG. 1 is a perspective view of my new design for a vanity organizer;

FIG. 2 is a front elevation view thereof;

FIG. 3 is a rear elevation view thereof;

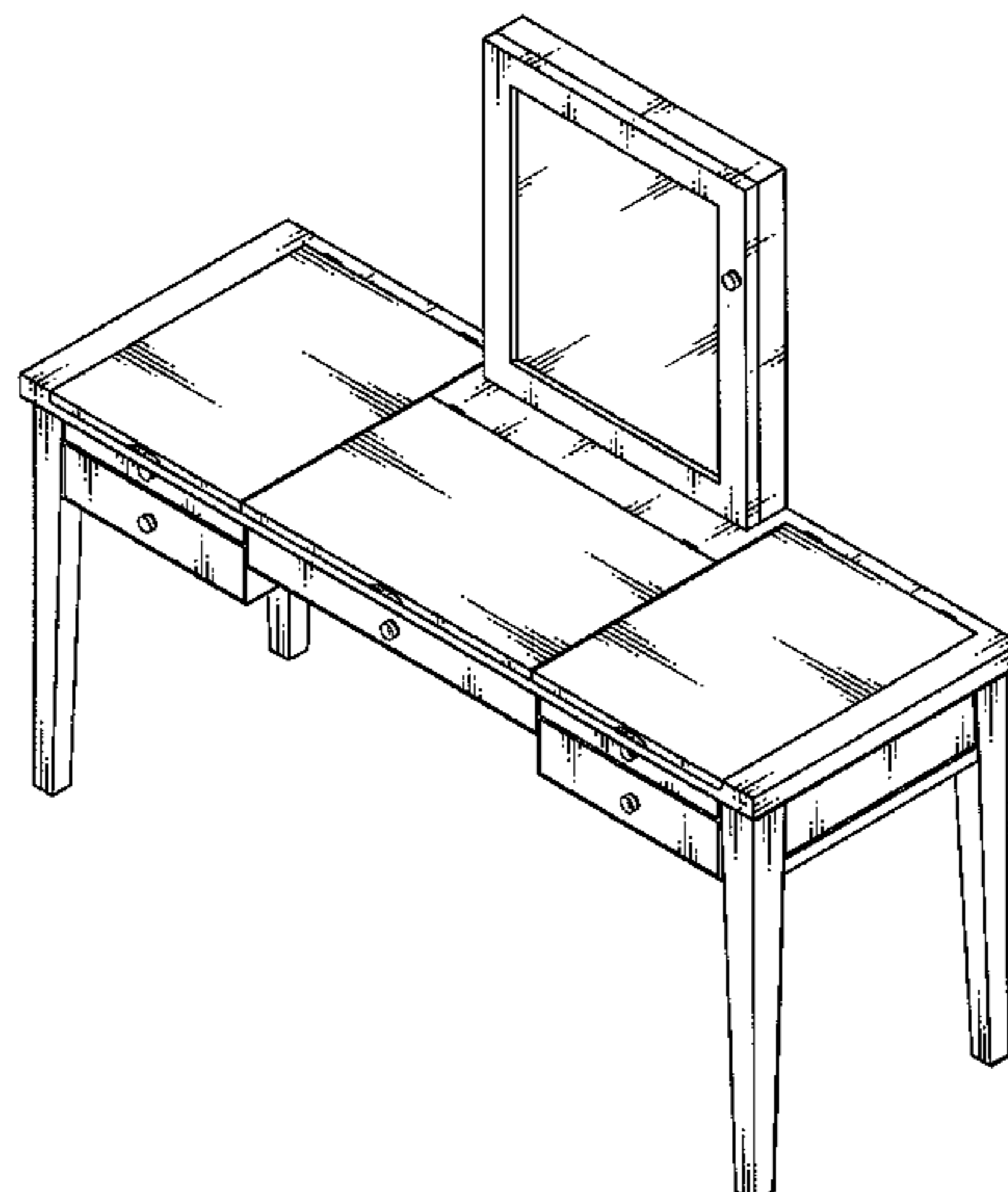
FIG. 4 is a right side elevation view;

FIG. 5 is a left side elevation view thereof;

FIG. 6 is a top plan view thereof; and,

FIG. 7 is a bottom plan view thereof.

**1 Claim, 5 Drawing Sheets**



## OTHER PUBLICATIONS

- U.S. Appl. No. 29/277,341, filed Feb. 22, 2007, Title "Swivel Organizer", Inventor Lori Greiner.
- U.S. Appl. No. 29/281,878, filed Jul. 5, 2007, Title "Swivel Organizer", Inventor Lori Greiner.
- U.S. Appl. No. 29/281,880, filed Jul. 5, 2007, Title "Swivel Organizer", Inventor Lori Greiner.
- U.S. Appl. No. 29/295,087, filed Sep. 21, 2007, Title "Swivel Organizer", Inventor Lori Greiner.
- U.S. Appl. No. 29/295,095, filed Sep. 21, 2007, Title "Swivel Organizer", Inventor Lori Greiner.
- U.S. Appl. No. 29/295,097, filed Sep. 21, 2007, Title "Swivel Organizer", Inventor Lori Greiner.
- U.S. Appl. No. 29/295,098, filed Sep. 21, 2007, Title "Swivel Organizer", Inventor Lori Greiner.
- U.S. Appl. No. 29/297,618, filed Nov. 14, 2007, Title "Vanity Organizer", Inventor Lori Greiner.
- U.S. Appl. No. 29/295,101, filed Sep. 21, 2007, Title "Swivel Organizer", Inventor Lori Greiner.
- U.S. Appl. No. 29/295,104, filed Sep. 21, 2007, Title "Swivel Organizer", Inventor Lori Greiner.
- U.S. Appl. No. 29/295,106, filed Sep. 21, 2007, Title "Swivel Organizer", Inventor Lori Greiner.
- U.S. Appl. No. 29/295,110, filed Sep. 21, 2007, Title "Swivel Organizer", Inventor Lori Greiner.
- U.S. Appl. No. 29/295,113, filed Sep. 21, 2007, Title "Swivel Organizer", Inventor Lori Greiner.
- U.S. Appl. No. 29/295,115, filed Sep. 21, 2007, Title "Swivel Organizer", Inventor Lori Greiner.
- U.S. Appl. No. 29/295,118, filed Sep. 21, 2007, Title "Swivel Organizer", Inventor Lori Greiner.
- U.S. Appl. No. 29/295,119, filed Sep. 21, 2007, Title "Swivel Organizer", Inventor Lori Greiner.
- U.S. Appl. No. 29/295,121, filed Sep. 21, 2007, Title "Swivel Organizer", Inventor Lori Greiner.
- U.S. Appl. No. 29/295,123, filed Sep. 21, 2007, Title "Swivel Organizer", Inventor Lori Greiner.
- U.S. Appl. No. 29/295,124, filed Sep. 21, 2007, Title "Swivel Organizer", Inventor Lori Greiner.
- U.S. Appl. No. 29/295,128, filed Sep. 21, 2007, Title "Swivel Organizer", Inventor Lori Greiner.
- U.S. Appl. No. 29/295,134, filed Sep. 21, 2007, Title "Swivel Organizer", Inventor Lori Greiner.
- U.S. Appl. No. 29/295,136, filed Sep. 21, 2007, Title "Swivel Organizer", Inventor Lori Greiner.
- U.S. Appl. No. 29/295,139, filed Sep. 21, 2007, Title "Swivel Organizer", Inventor Lori Greiner.
- U.S. Appl. No. 29/295,141, filed Sep. 21, 2007, Title "Swivel Organizer", Inventor Lori Greiner.
- U.S. Appl. No. 11/610,170, filed Dec. 13, 2006, Title "Tri-Fold Mirror Swivel Organizer", Inventor Lori Greiner.
- U.S. Appl. No. 11/768,979, filed Jun. 27, 2007, Title "Tri-Fold Mirror Organizer", Inventor Lori Greiner.
- U.S. Appl. No. 11/940,010, filed Nov. 14, 2007, Title "Vanity Organizer Table", Inventor Lori Greiner.
- U.S. Appl. No. 29/297,612, filed Nov. 14, 2007, Title "Vanity Organizer", Inventor Lori Greiner.
- U.S. Appl. No. 29/297,615, filed Nov. 14, 2007, Title "Vanity Organizer", Inventor Lori Greiner.

\* cited by examiner

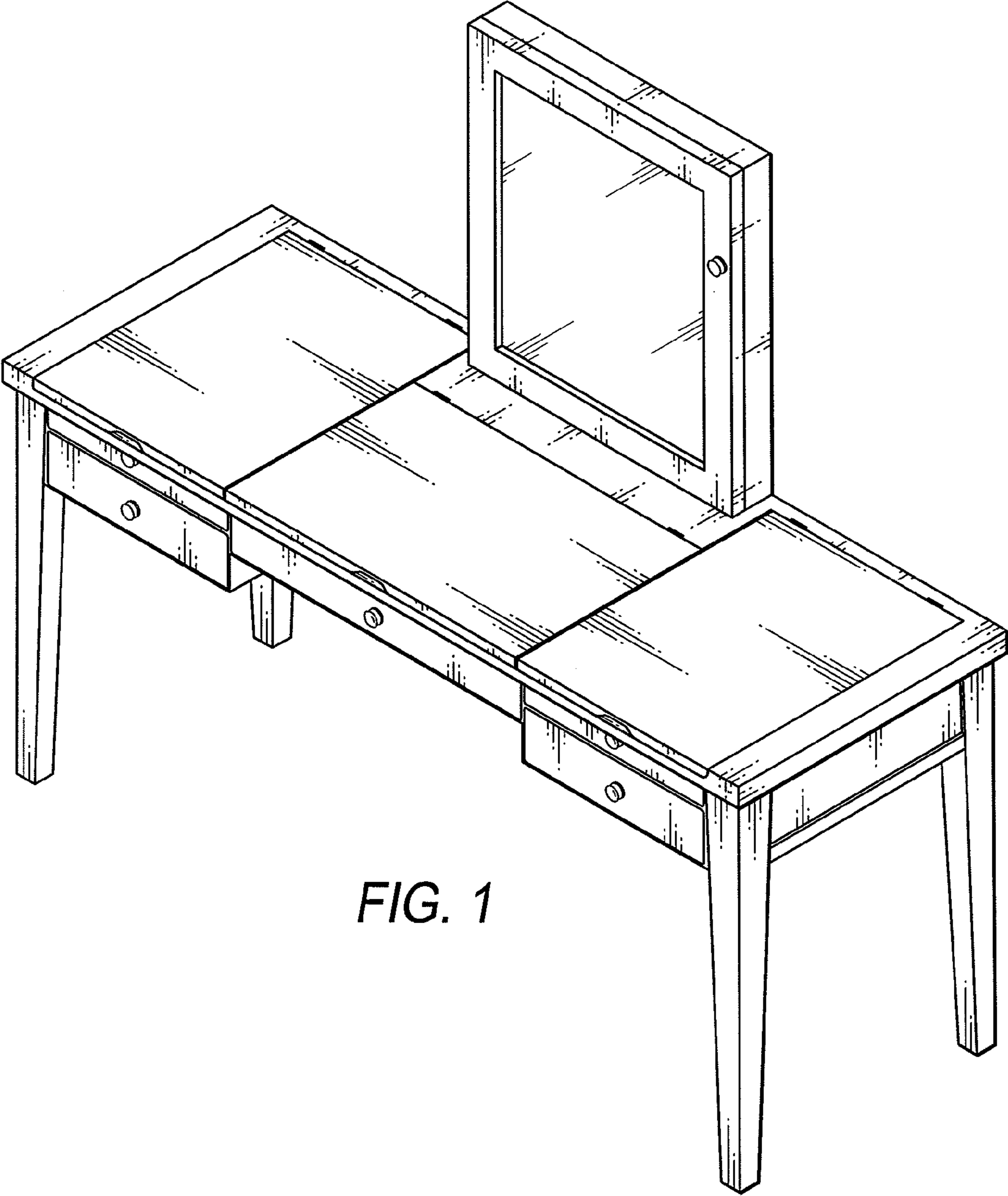


FIG. 1

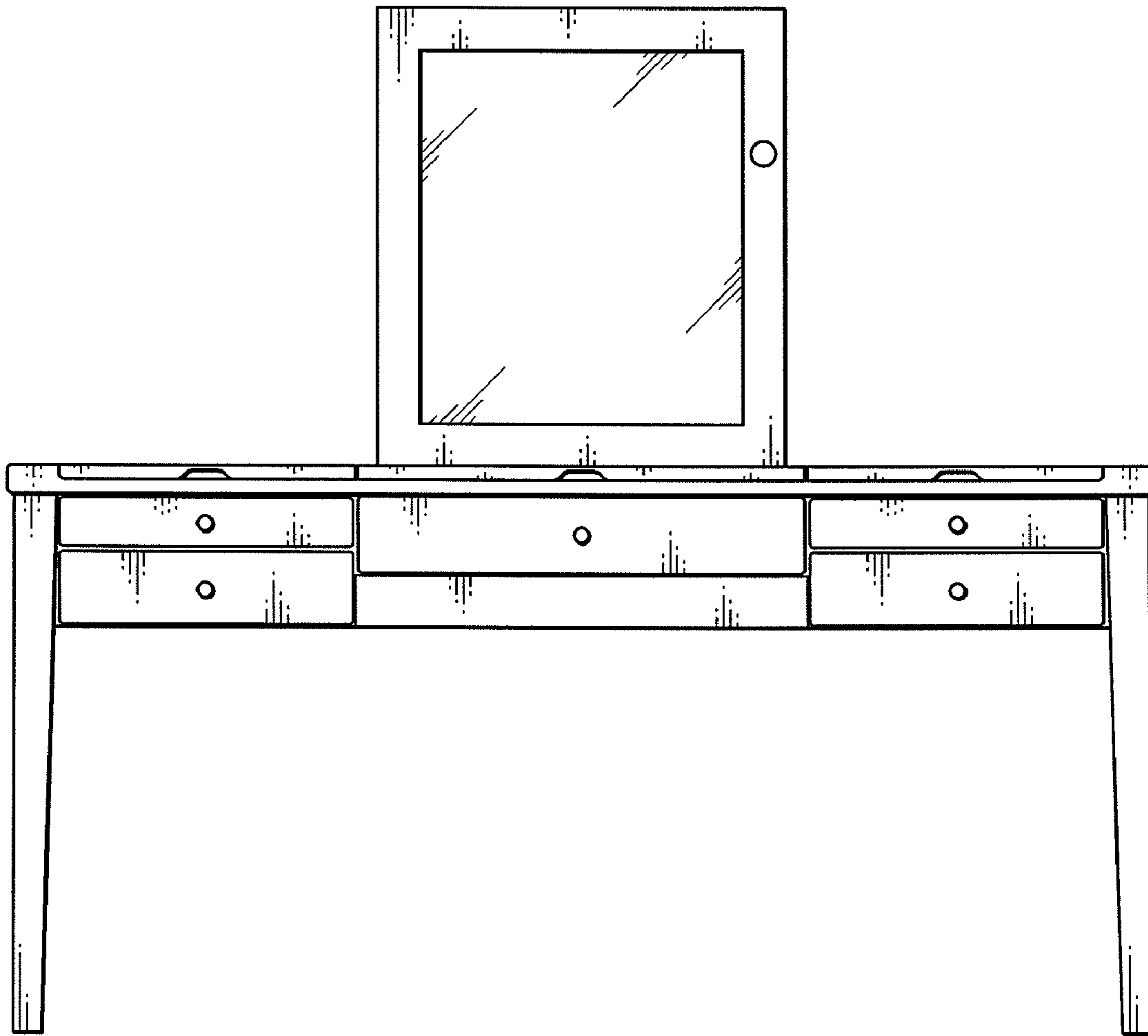
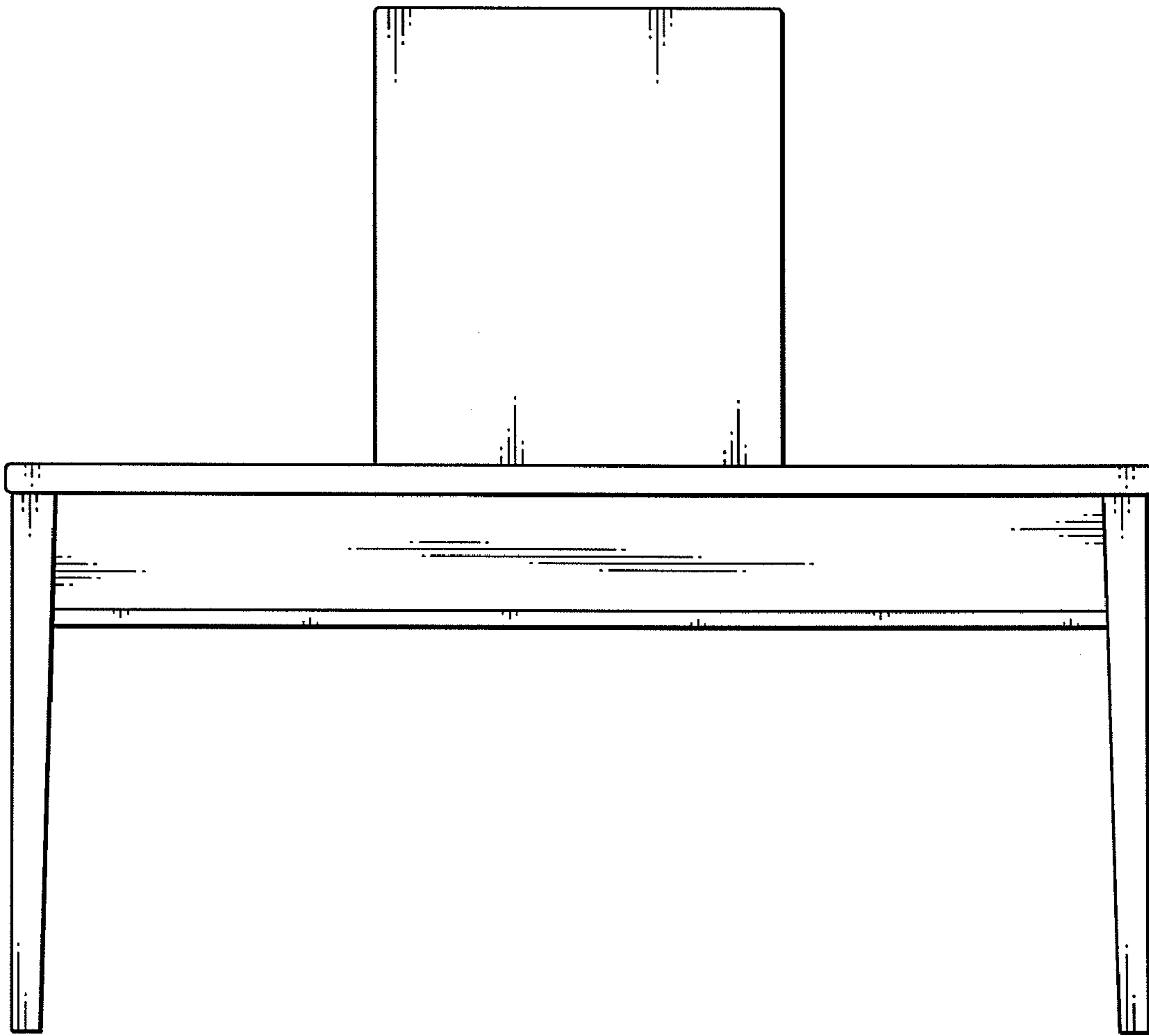
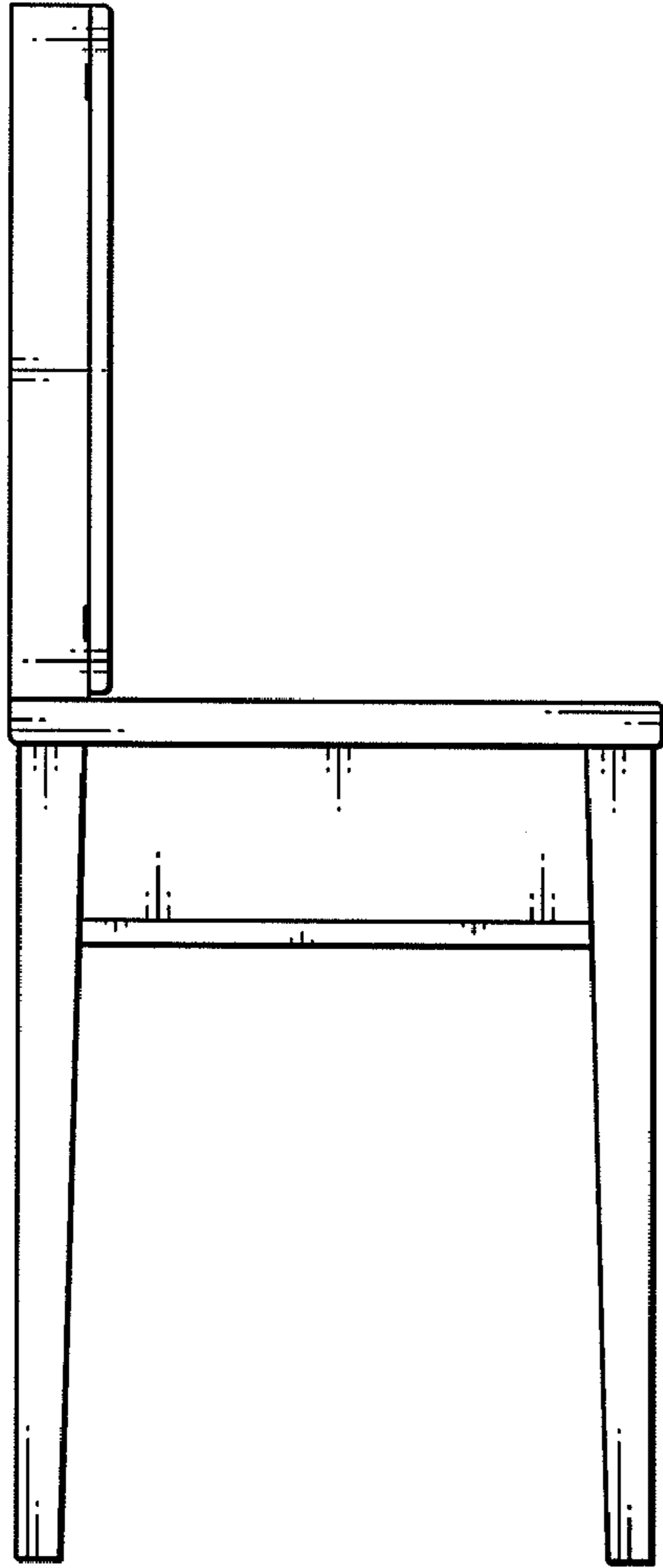


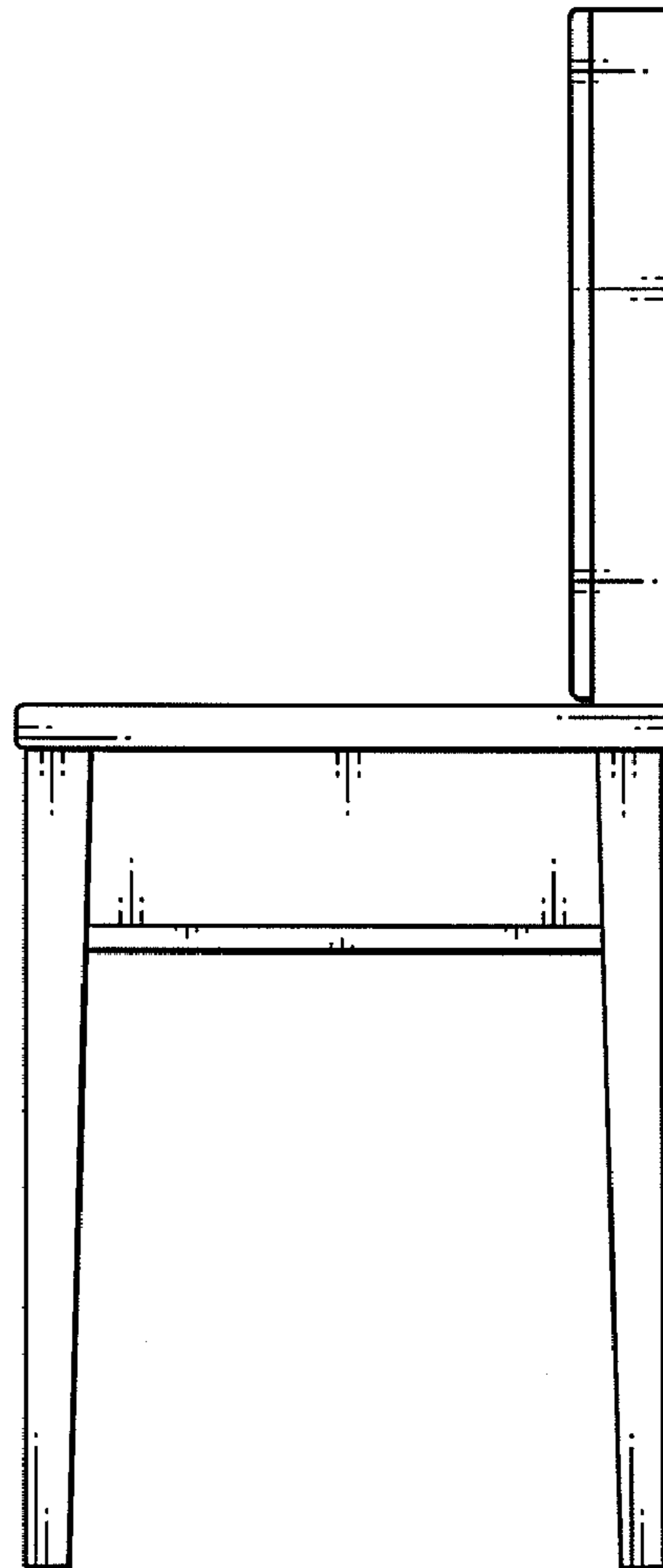
FIG. 2



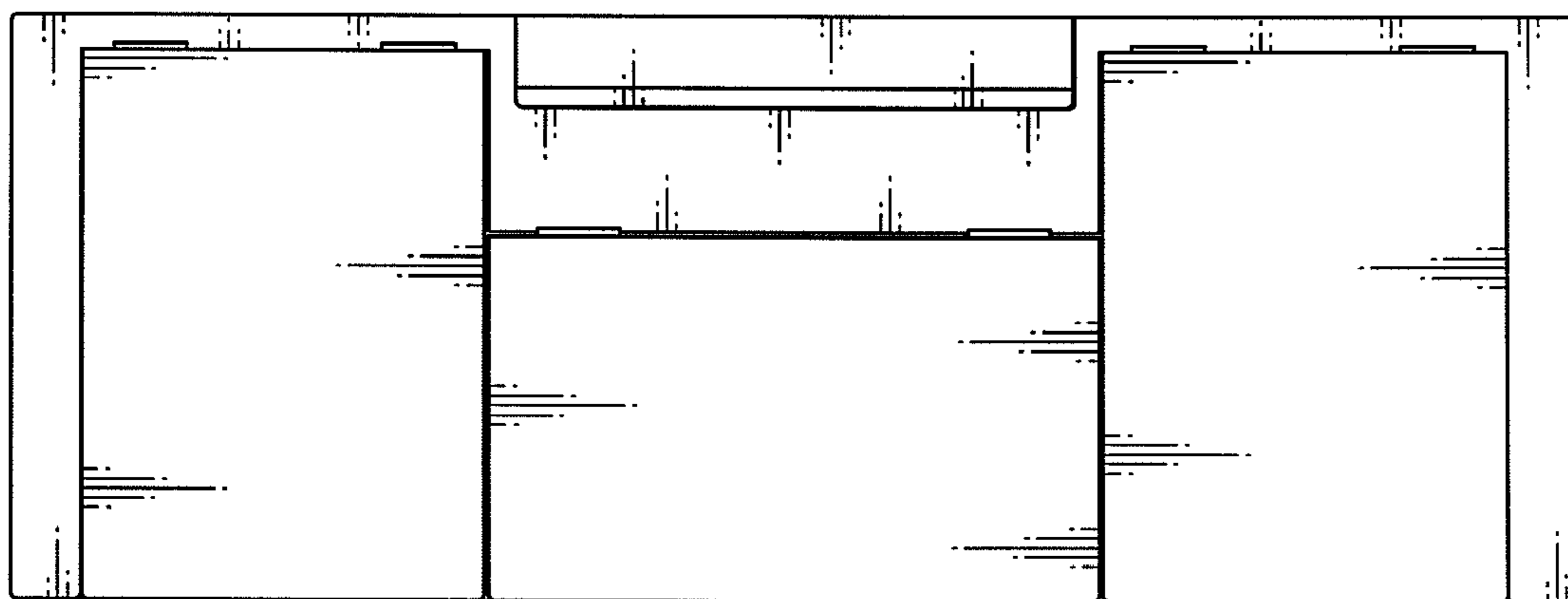
*FIG. 3*



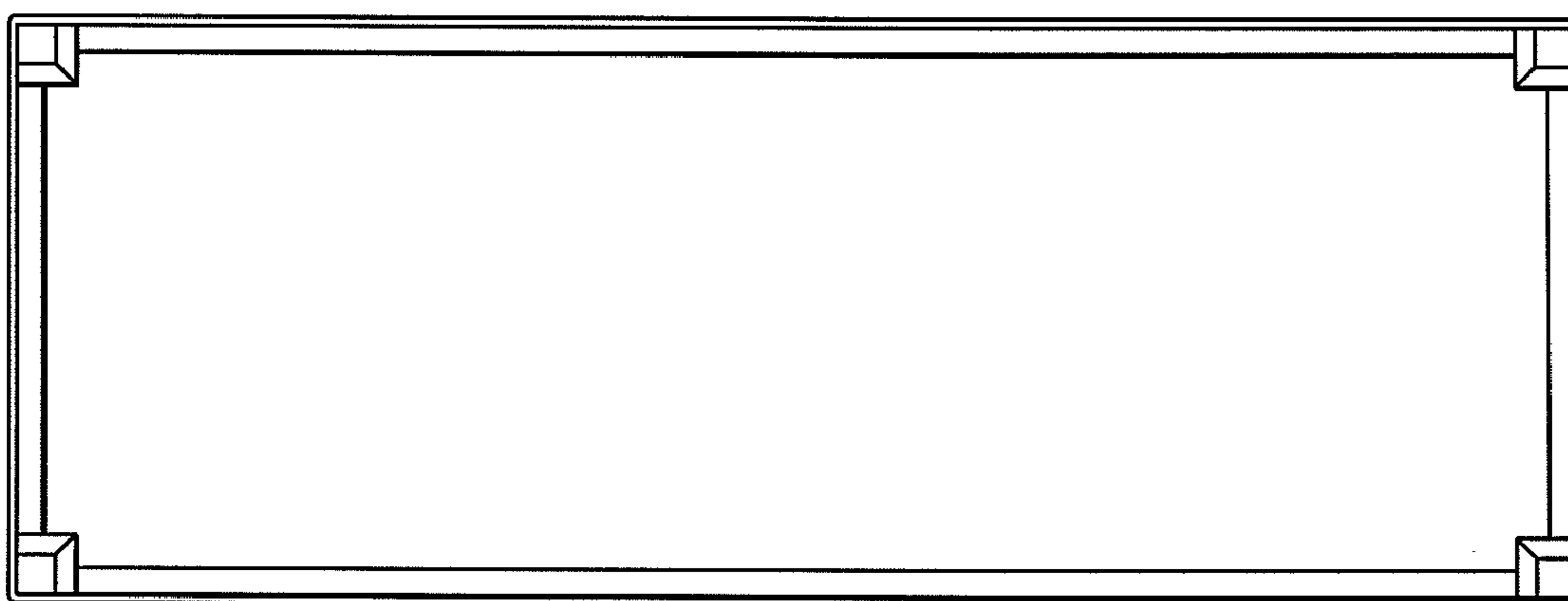
*FIG. 4*



*FIG. 5*



*FIG. 6*



*FIG. 7*