



US00D577223S

(12) **United States Design Patent**
Durmon, Jr.

(10) **Patent No.:** **US D577,223 S**
(45) **Date of Patent:** **** Sep. 23, 2008**

(54) **LAP TRAY**
(76) Inventor: **James D. Durmon, Jr.**, 566 Queens
Way, Hamilton, MT (US) 59840
(**) Term: **14 Years**
(21) Appl. No.: **29/302,081**
(22) Filed: **Jan. 10, 2008**
(51) **LOC (8) Cl.** **06-06**
(52) **U.S. Cl.** **D6/406.6; D6/406.5**
(58) **Field of Classification Search** D7/505,
D7/507, 550.1, 554.3, 543, 545, 553.1, 553.5,
D7/562, 535, 555; D30/129; D26/121; 220/574,
220/575, 657, 506; 206/564; 229/938; 211/14;
294/172; D14/157; 108/42, 43, 50.16, 166,
108/167, 136; D6/406.3-406.6
See application file for complete search history.

D326,962 S 6/1992 Mowry et al.
D363,643 S 10/1995 Eisenberg
D363,857 S 11/1995 Sussman
5,497,885 A 3/1996 Sussman
5,520,119 A 5/1996 Eisenberg
D374,798 S 10/1996 Pippins, Jr.
D378,477 S 3/1997 Sussman
5,799,795 A 9/1998 Mease
D400,404 S * 11/1998 Indekeu D7/554.3
D405,646 S * 2/1999 Indekeu D7/554.3
D411,388 S * 6/1999 Sacco et al. D6/406.6
5,915,561 A 6/1999 Lorenzana et al.
6,050,200 A * 4/2000 Sullins et al. 108/43
6,173,656 B1 1/2001 Blanchard

* cited by examiner

Primary Examiner—Charles A Rademaker
(74) *Attorney, Agent, or Firm*—Brian D. Smith, P.C.

(56) **References Cited**

U.S. PATENT DOCUMENTS

1,351,285 A 8/1920 Chess
D110,690 S * 8/1938 De Benque D7/553.3
2,640,597 A * 6/1953 Thomson 108/167
3,170,416 A * 2/1965 Gerlich 108/42
D257,110 S * 9/1980 Conti D7/555
D258,711 S 3/1981 Baker et al.
D282,042 S * 1/1986 Gallagher D7/554.3
D308,450 S 6/1990 Harris et al.
D314,678 S 2/1991 Ali
5,069,375 A 12/1991 Flick

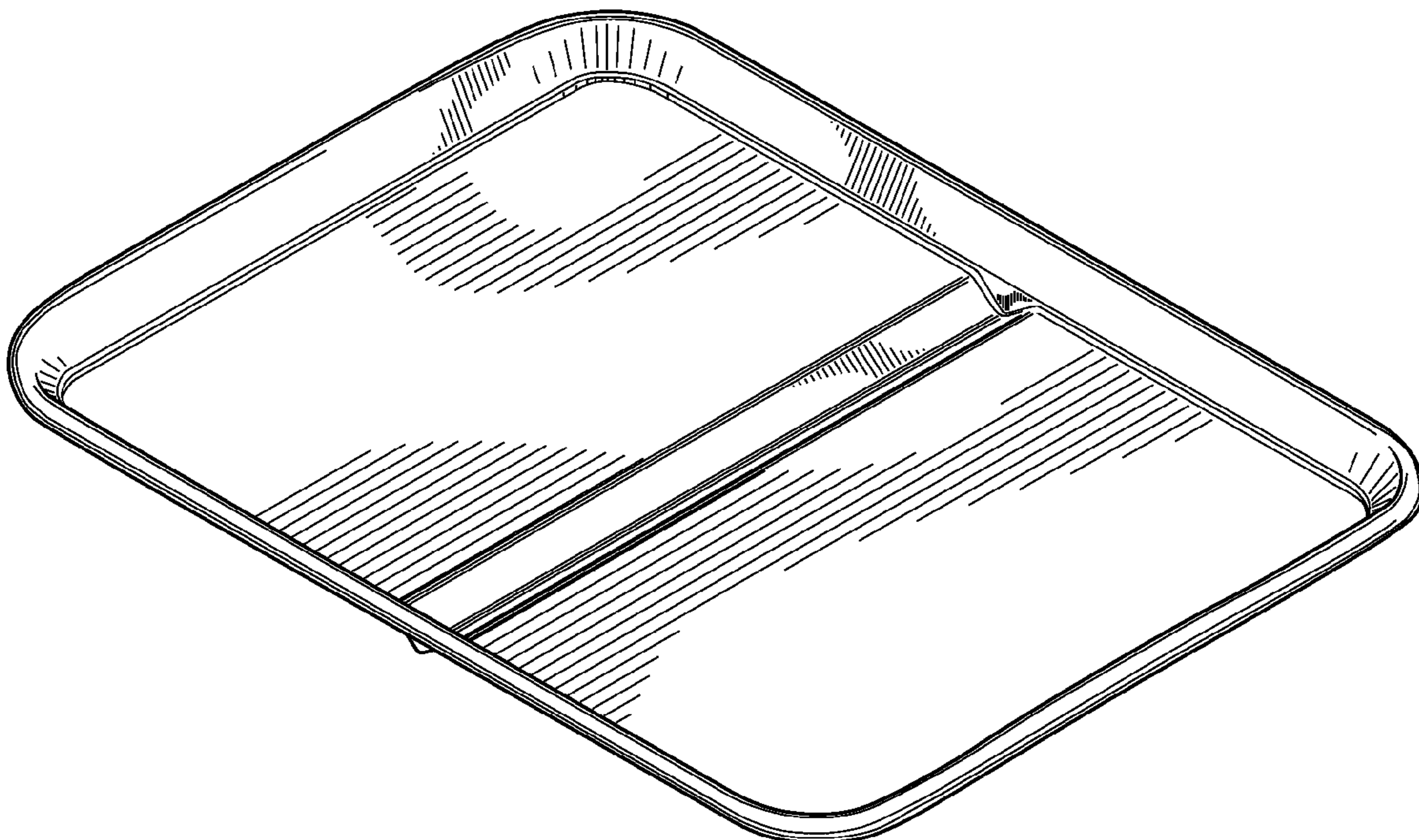
(57) **CLAIM**

The ornamental design for a lap tray, as shown and described.

DESCRIPTION

FIG. 1 is a perspective view of a lap tray, showing my new design;
FIG. 2 is a front view of the design of FIG. 1;
FIG. 3 is a side elevational view of the design of FIG. 1;
FIG. 4 is a top plan view of the design of FIG. 1; and,
FIG. 5 is a bottom plan view of the design of FIG. 1.

1 Claim, 2 Drawing Sheets



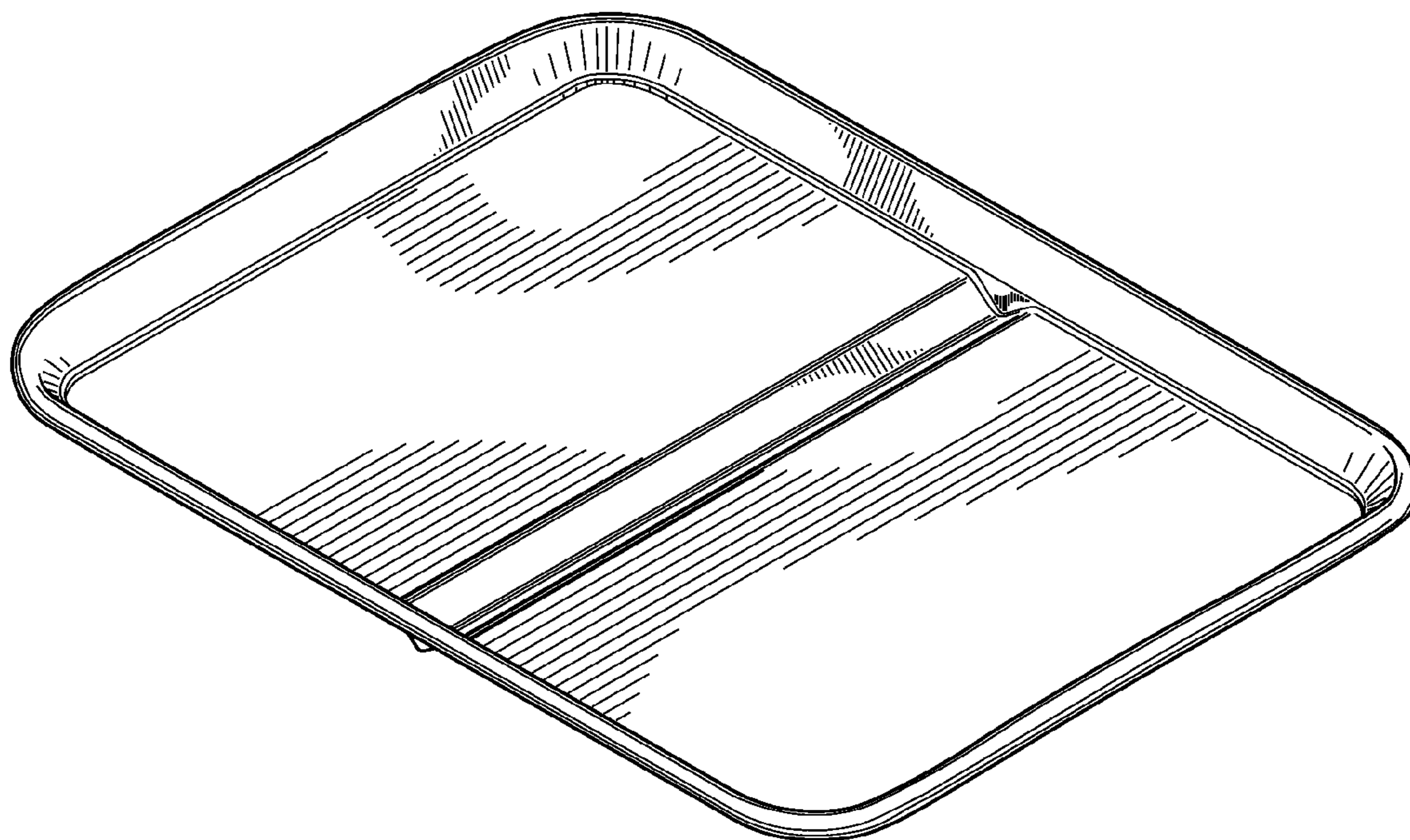


FIG. 1

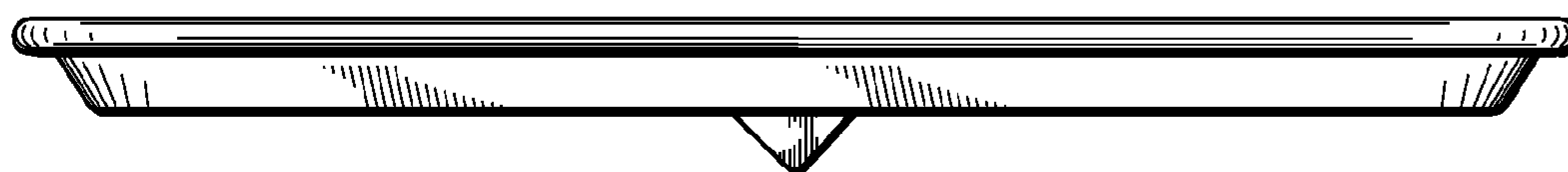


FIG. 2

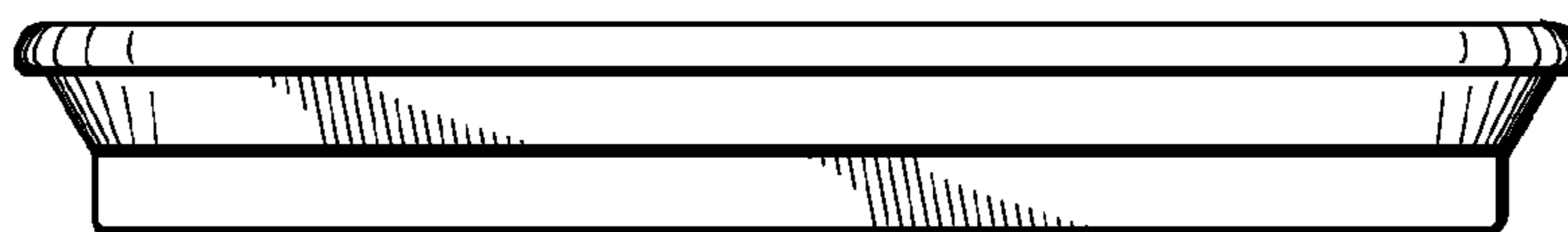


FIG. 3

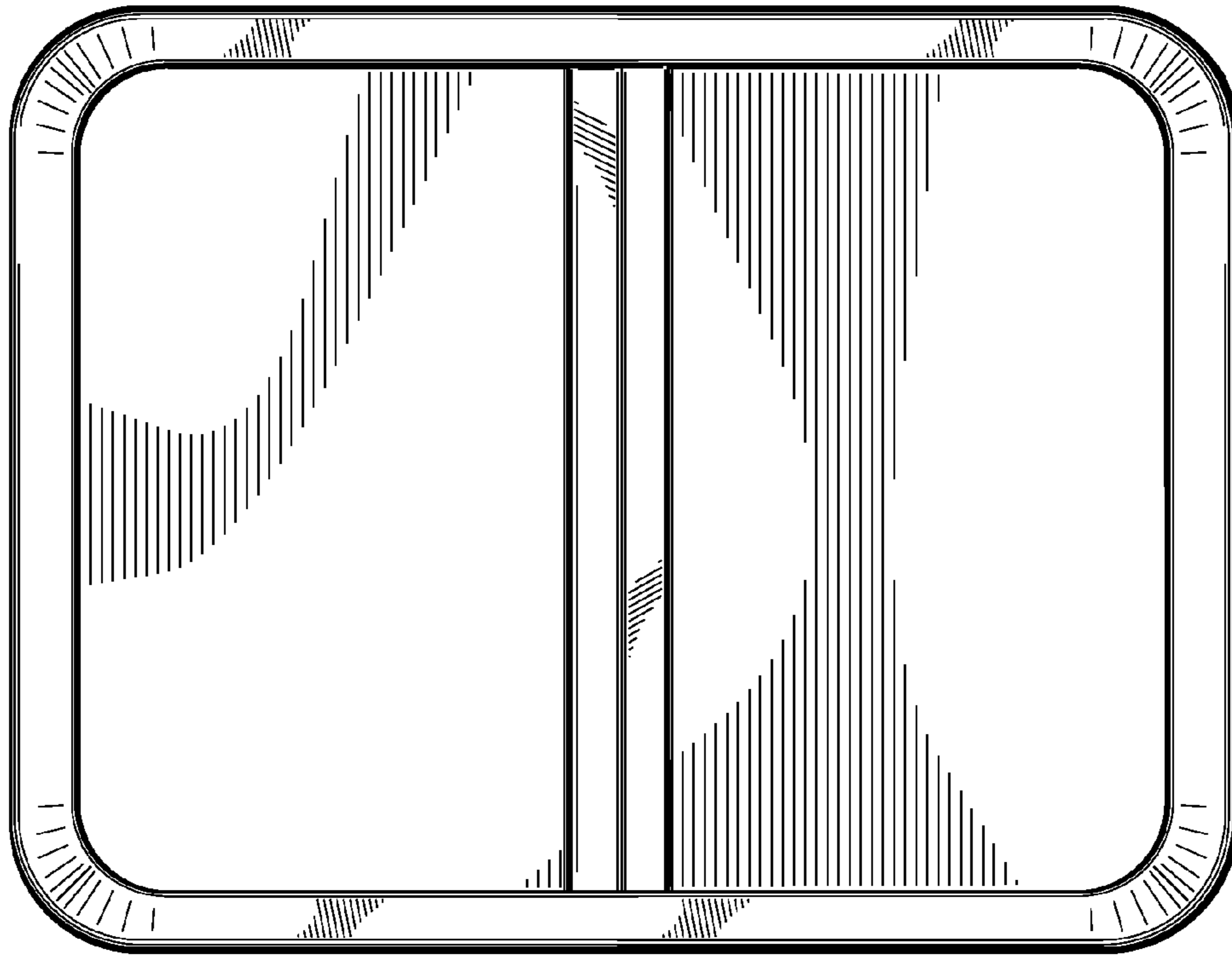


FIG. 4

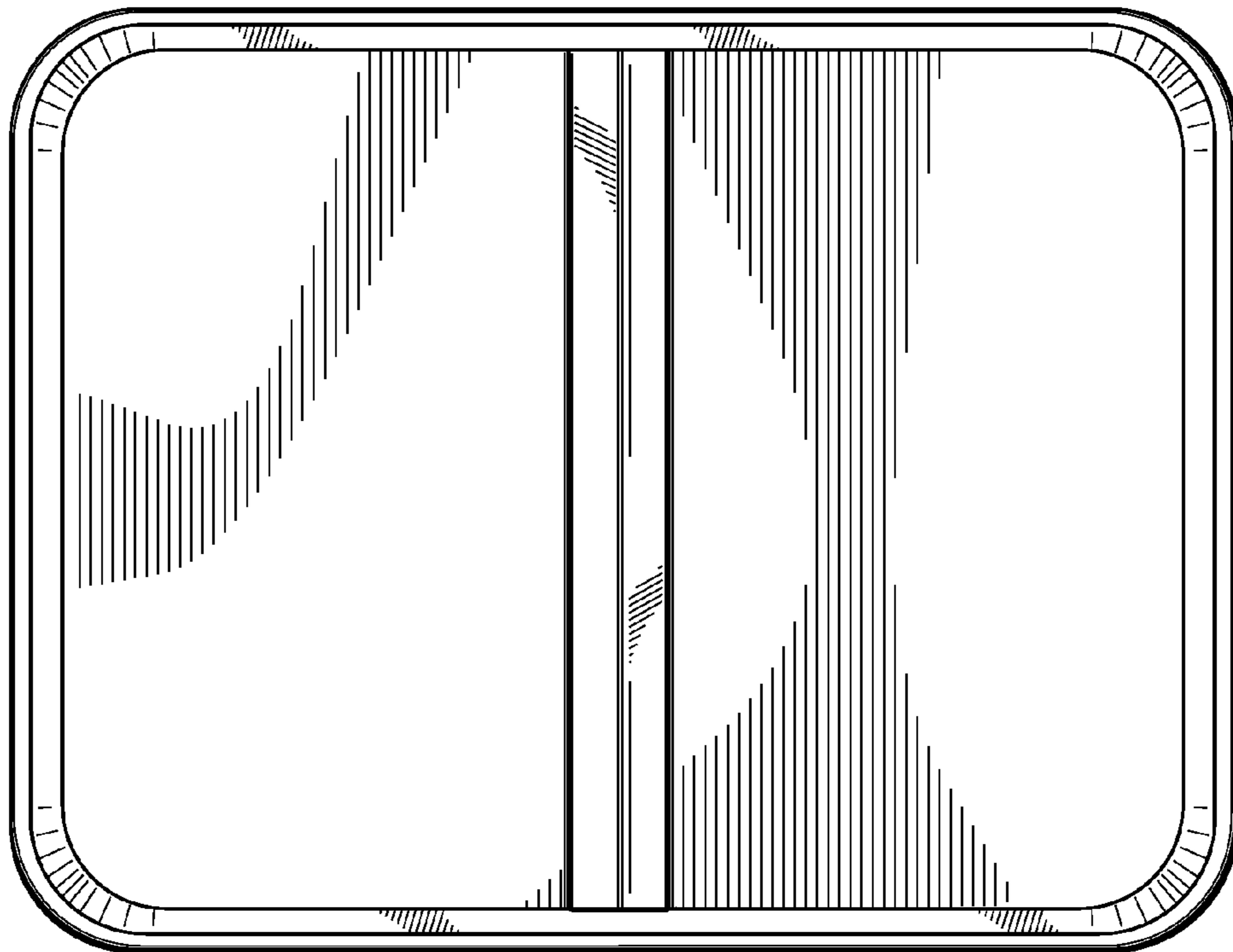


FIG. 5